



US00D633934S

(12) **United States Design Patent**
Funakoshi

(10) **Patent No.:** **US D633,934 S**
(45) **Date of Patent:** **** *Mar. 8, 2011**

(54) **PORTION OF A DIGITAL SINGLE-LENS CAMERA**

(75) Inventor: **Yasuo Funakoshi**, Hachioji (JP)

(73) Assignee: **Olympus Imaging Corp.**, Tokyo (JP)

(**) Term: **14 Years**

(21) Appl. No.: **29/333,686**

(22) Filed: **Mar. 13, 2009**

(51) **LOC (9) Cl.** **16-05**

(52) **U.S. Cl.** **D16/219; D16/202; D16/217**

(58) **Field of Classification Search** **D16/200,**
D16/202, 204, 208, 217, 218, 219; 348/373-376;
358/909.1; 396/535-541

See application file for complete search history.

(56) **References Cited**

U.S. PATENT DOCUMENTS

D482,713	S	*	11/2003	Hayashi	D16/217
D556,229	S	*	11/2007	Bai	D16/202
D559,297	S	*	1/2008	Nakamura	D16/219
D581,440	S	*	11/2008	Nakamura	D16/202
D582,462	S	*	12/2008	Hayashi	D16/202
D586,374	S	*	2/2009	Kim	D16/202
D596,214	S	*	7/2009	Kim et al.	D16/202
D597,576	S	*	8/2009	Kim et al.	D16/202
D604,348	S	*	11/2009	Inaba	D16/202
D606,104	S	*	12/2009	Sato	D16/202
7,646,426	B2	*	1/2010	Saiki et al.	348/373

FOREIGN PATENT DOCUMENTS

JP D1271197 5/2006

OTHER PUBLICATIONS

“A digital still camera” of FUJIFILM Corp. shown at the following website, which was publicly known as of Feb. 20, 2004: <http://www.fujifilm.co.jp/press/nrj1177.html>.

An image display and storage apparatus) shown in the Japanese magazine “Tokusengai”, No. 12, published by Tokusengai Publication Corporation, Dec. 1, 2008.

Japanese Office Action dated Sep. 15, 2009 (and English translation thereof) in counterpart Japanese Design Application No. 2009-003836.

(Related) U.S. Appl. No. 29/367,961; First Named Inventor: Yasuo Funakoshi; Title: “Portion of a Digital Single-Lens Camera”; Filed: Aug. 16, 2010.

JPO Design Division document card of publicly known design No. HJ15003049.

* cited by examiner

Primary Examiner — Adir Aronovich

(74) *Attorney, Agent, or Firm* — Holtz, Holtz, Goodman & Chick, PC

(57) **CLAIM**

The ornamental design for a portion of a digital single-lens camera, as shown and described.

DESCRIPTION

FIG. 1 is a front, top and right side perspective view of a portion of a digital single-lens camera, showing my new design;

FIG. 2 is a rear, top and left side perspective view thereof;

FIG. 3 is a front elevational view thereof;

FIG. 4 is a rear elevational view thereof;

FIG. 5 is a top plan view thereof;

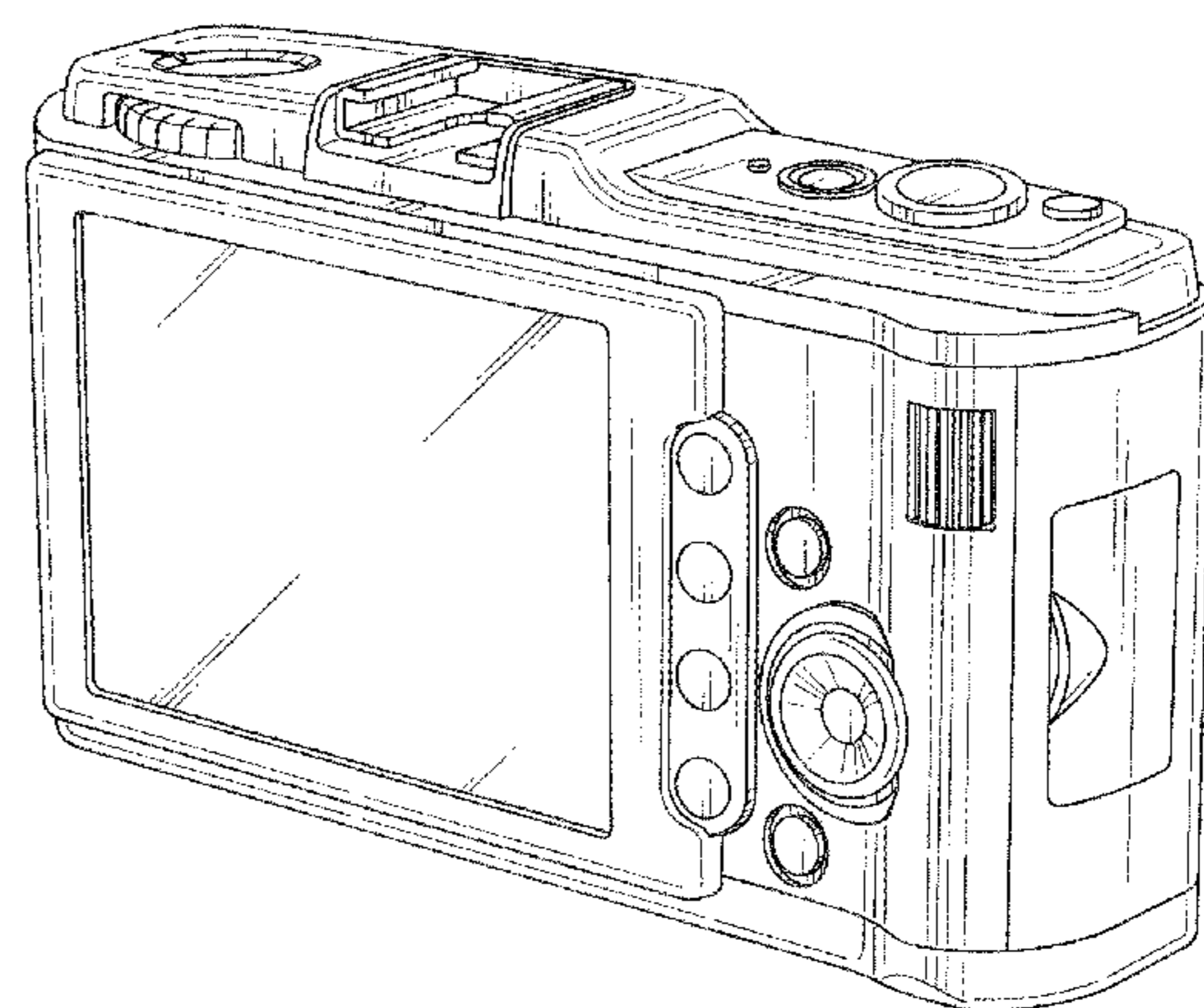
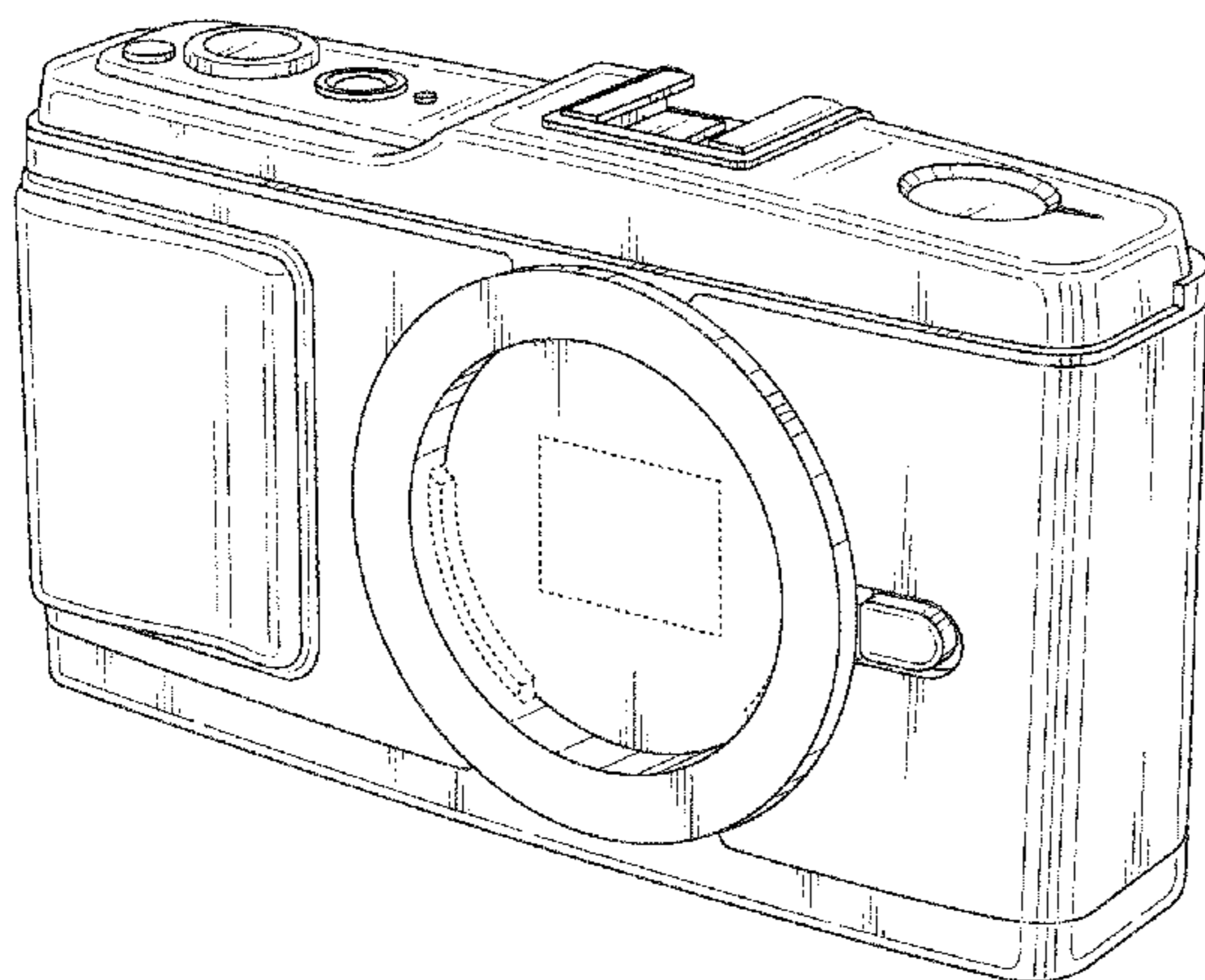
FIG. 6 is a bottom plan view thereof;

FIG. 7 is a left side elevational view thereof; and,

FIG. 8 is a right side elevational view thereof.

The broken lines show environment and are for illustrative purposes only; the broken lines form no part of the claimed design.

1 Claim, 3 Drawing Sheets



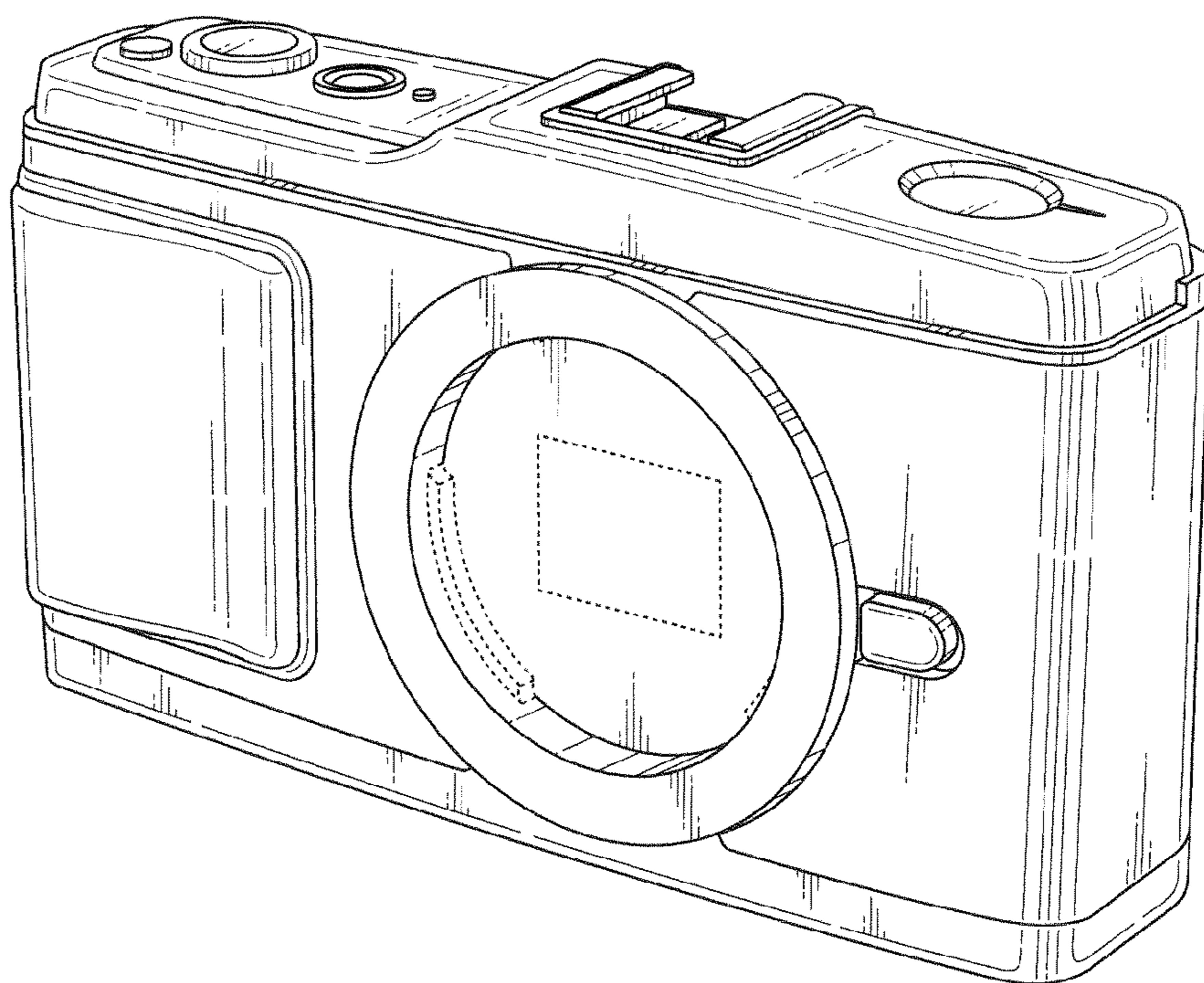


FIG. 1

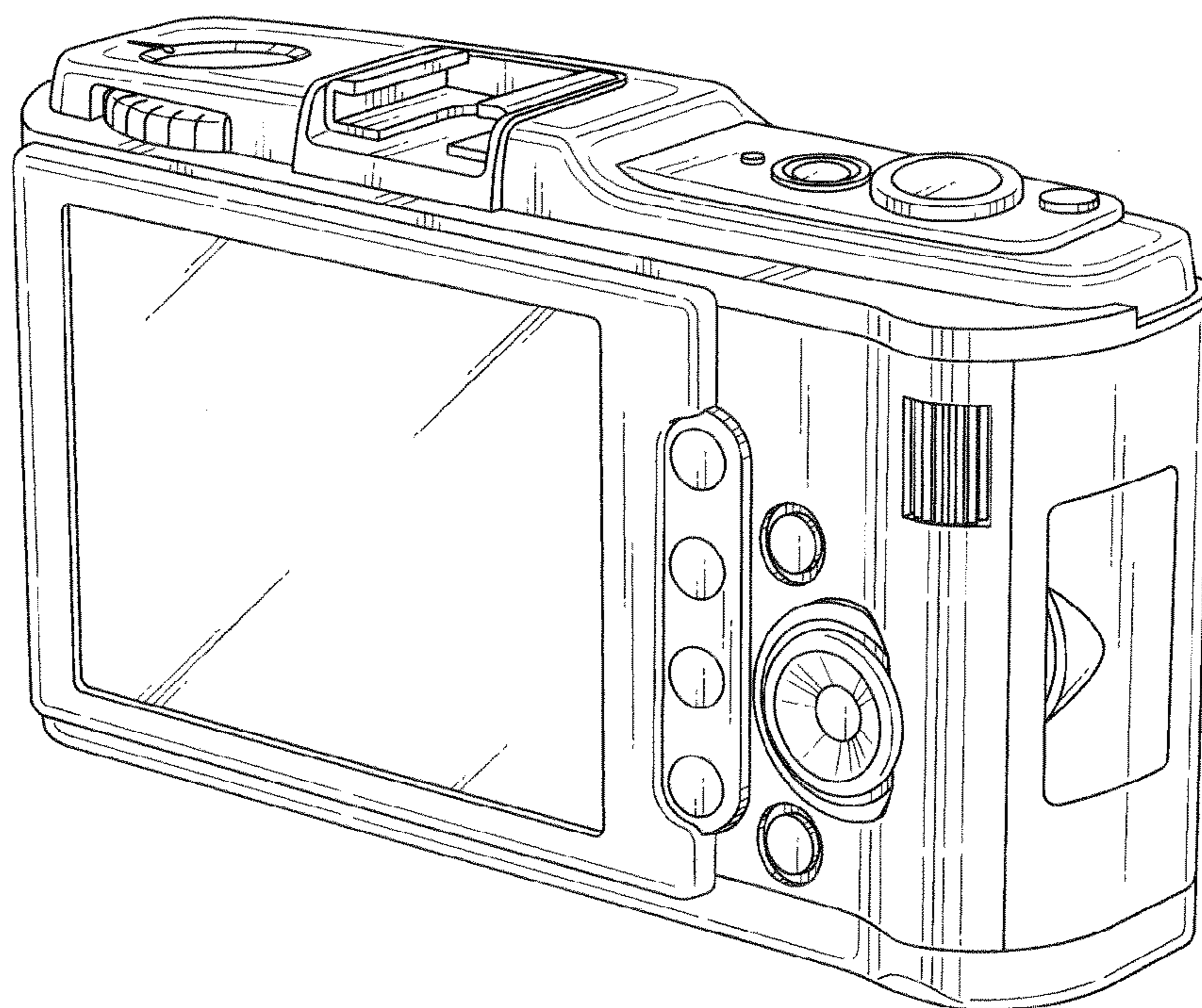


FIG. 2

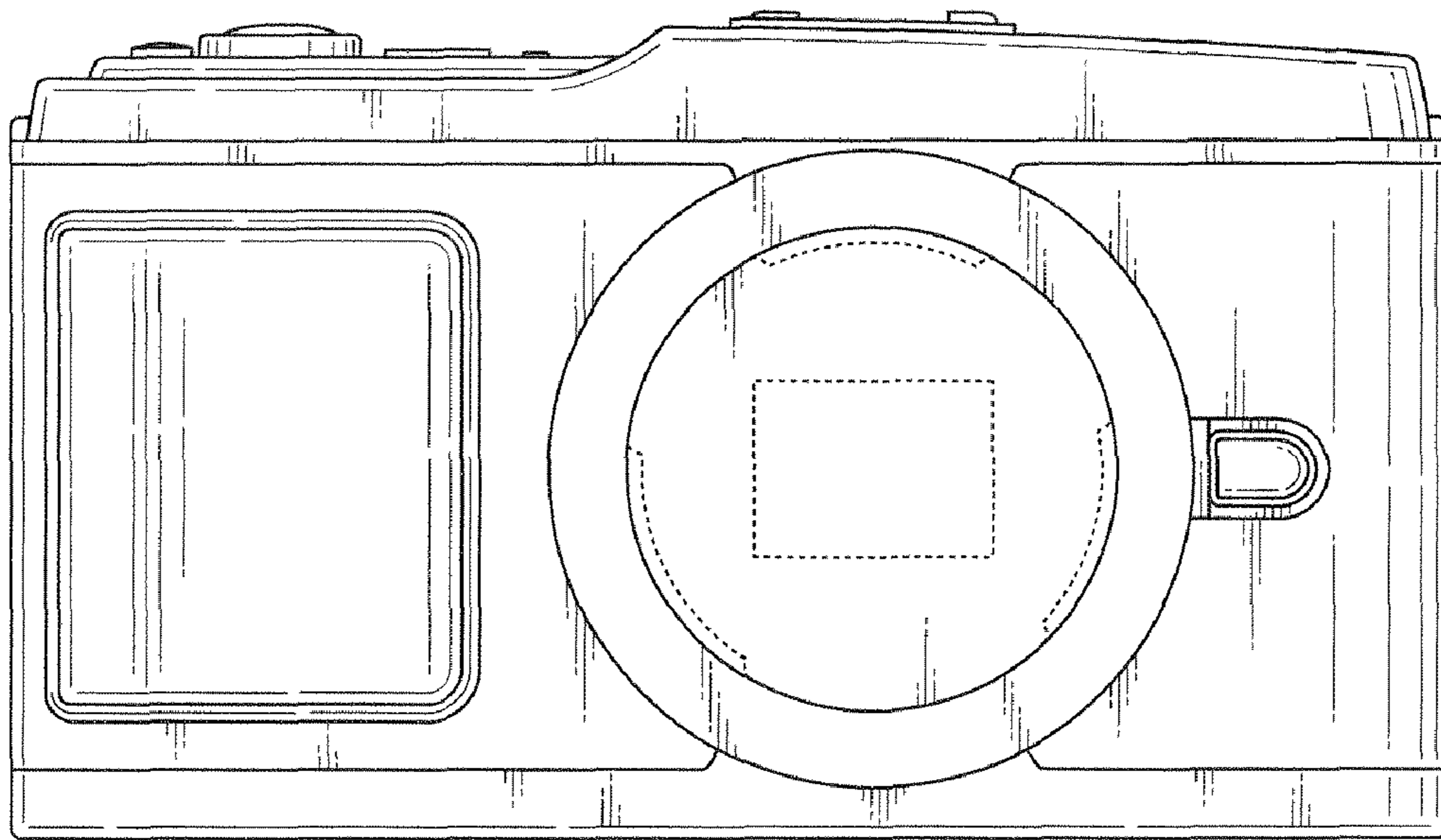


FIG.3

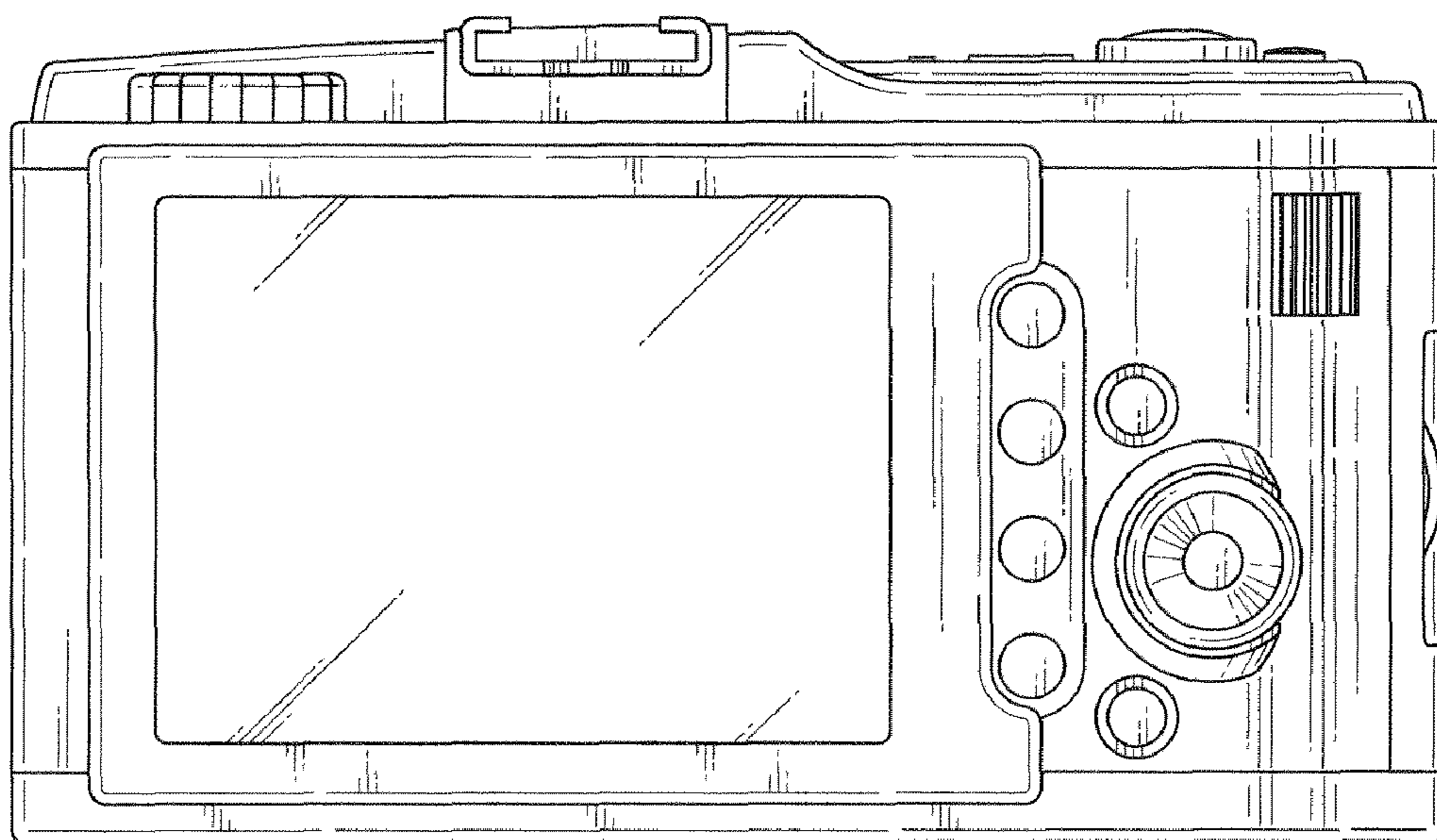


FIG.4

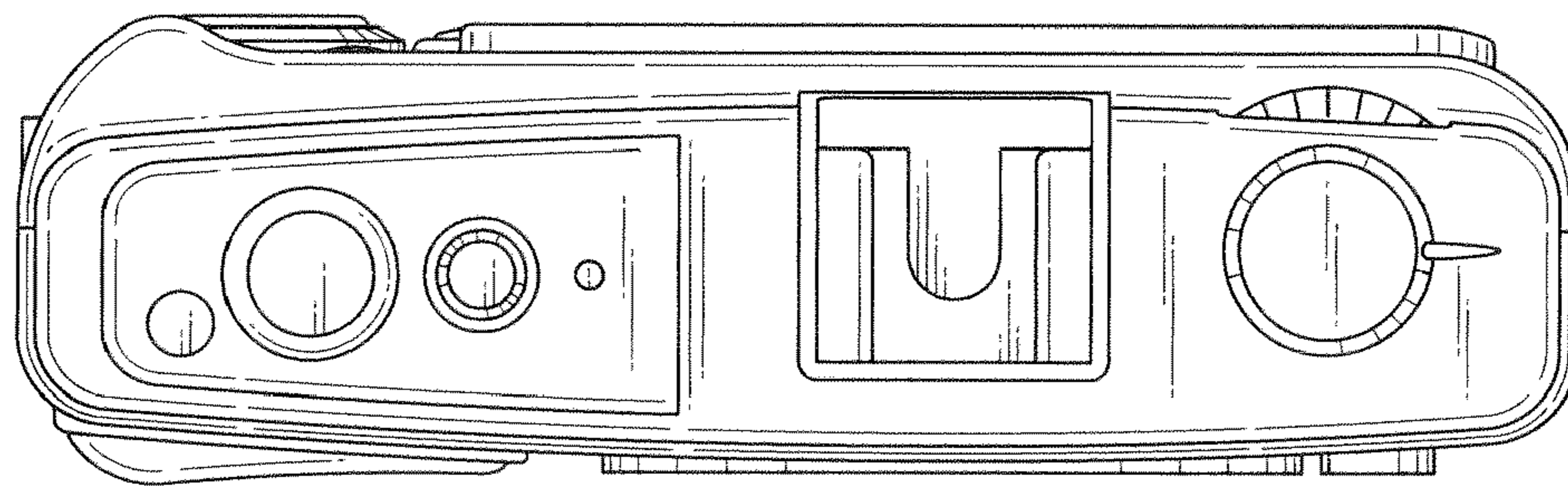


FIG. 5

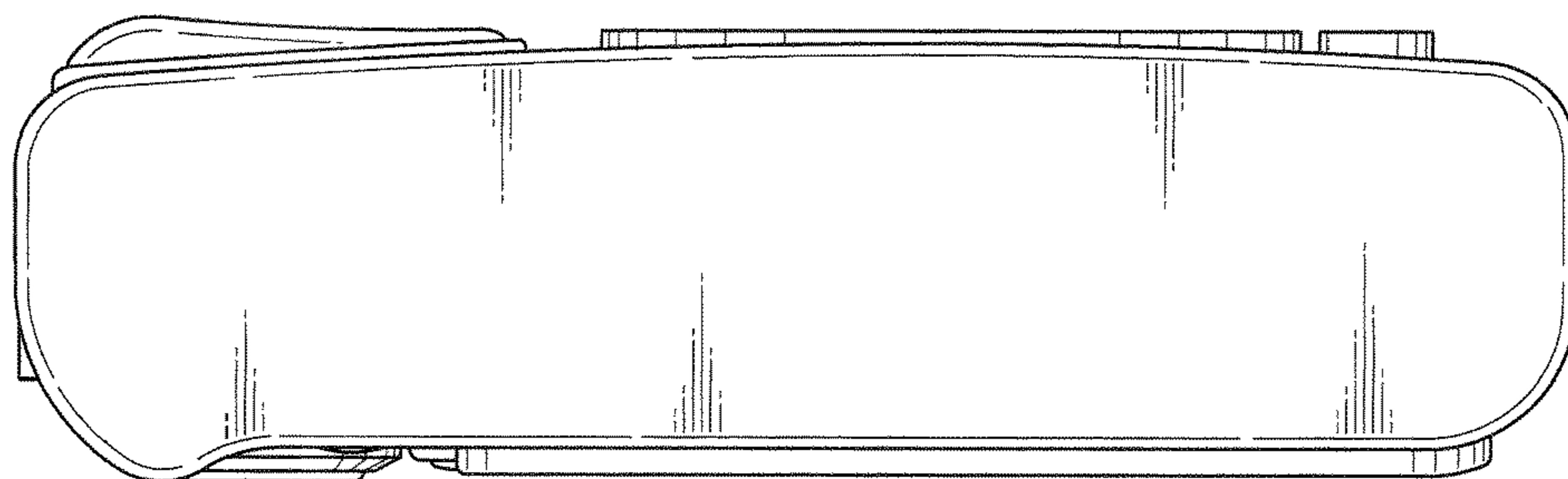


FIG. 6

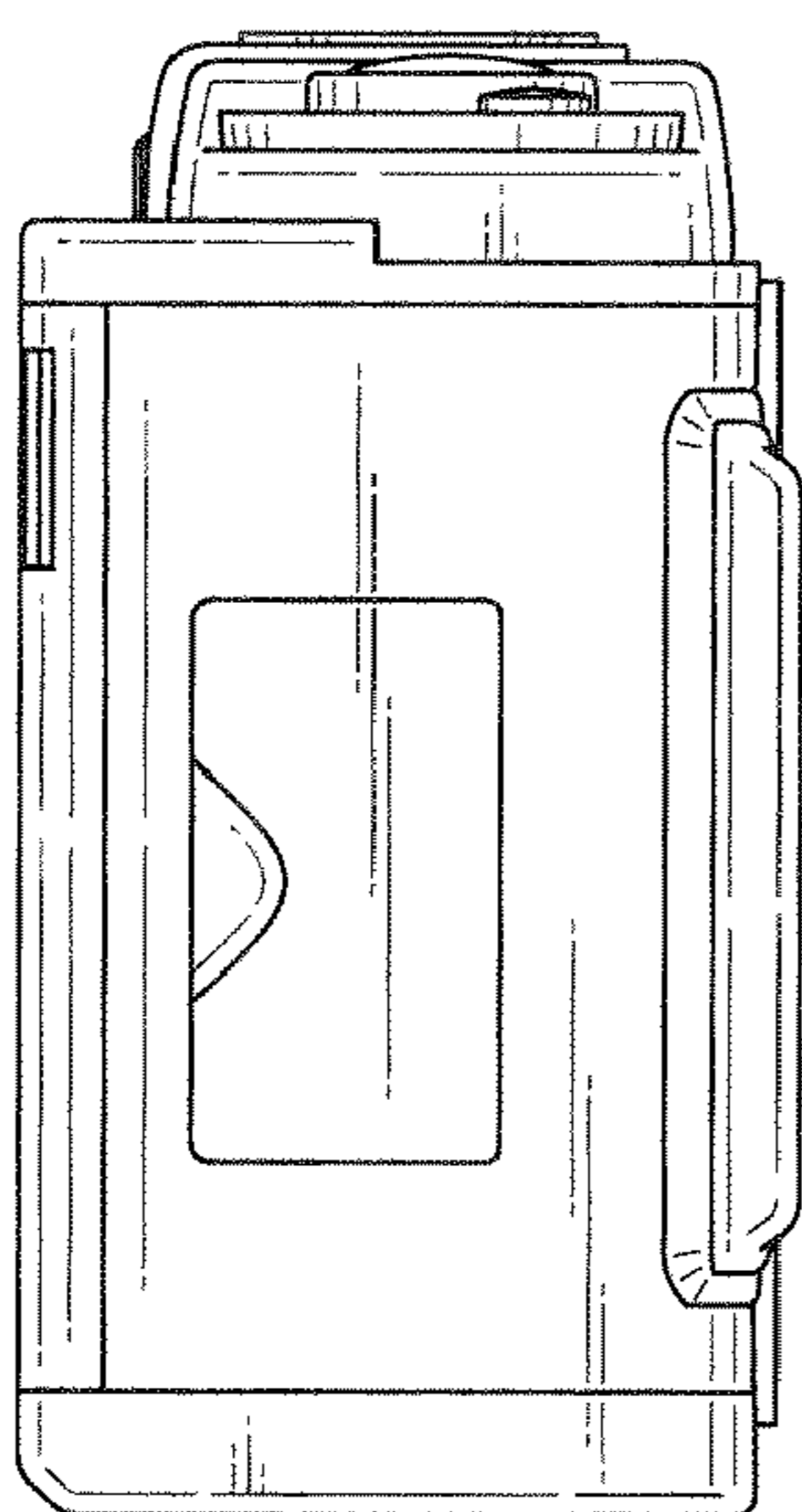


FIG. 7

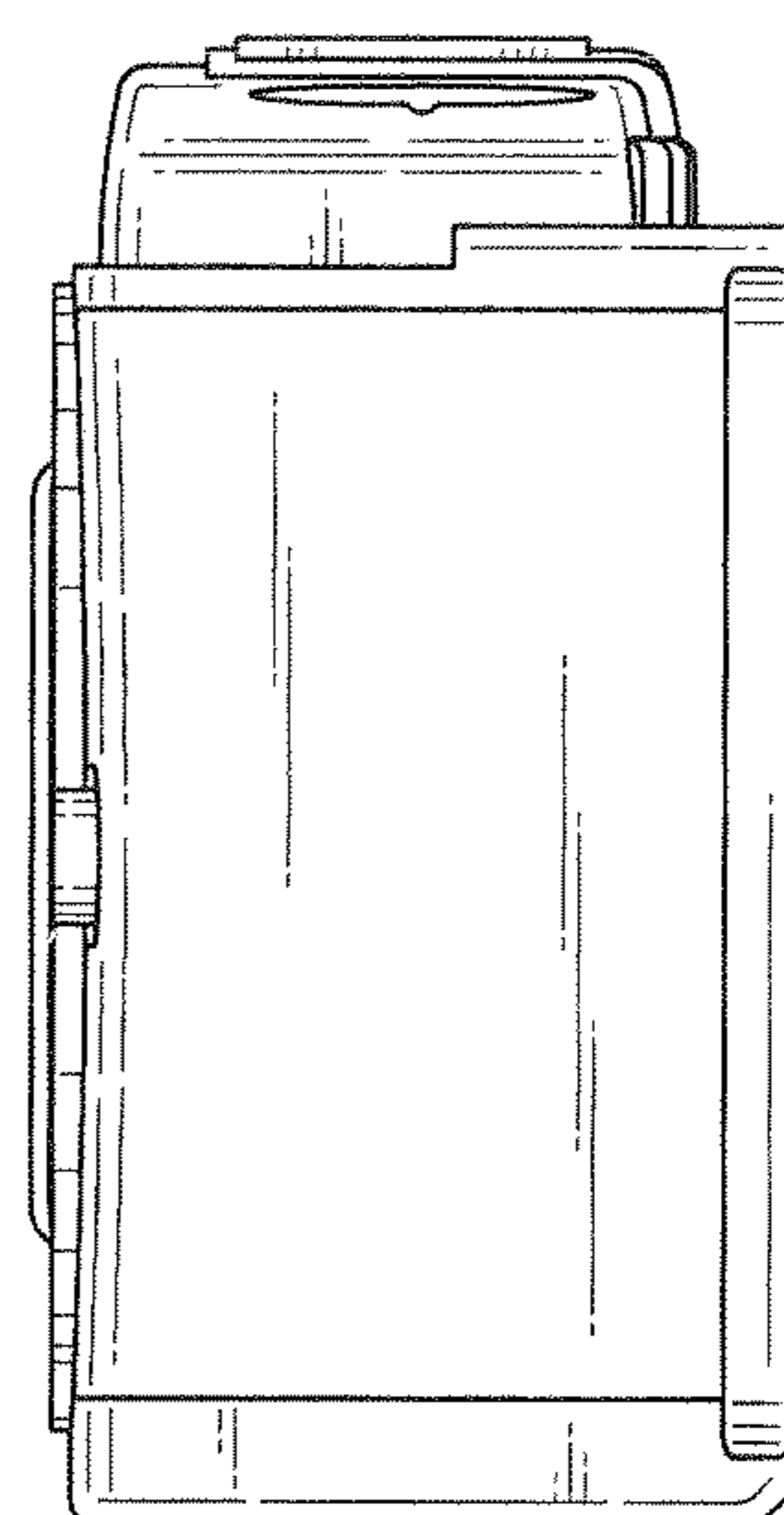


FIG. 8