



US00D633932S

(12) **United States Design Patent**
Park

(10) **Patent No.:** **US D633,932 S**

(45) **Date of Patent:** **** Mar. 8, 2011**

(54) **CAMERA FOR CLOSED CIRCUIT TELEVISION**

(75) Inventor: **Hee Young Park**, Seoul (KR)

(73) Assignee: **CNB Technology Inc.** (KR)

(**) Term: **14 Years**

(21) Appl. No.: **29/359,597**

(22) Filed: **Apr. 13, 2010**

(51) **LOC (9) Cl.** **16-01**

(52) **U.S. Cl.** **D16/203**

(58) **Field of Classification Search** D16/200–205,
D16/208, 218; 348/143, 373–376; 358/906;
396/427, 535–541

See application file for complete search history.

(56) **References Cited**

U.S. PATENT DOCUMENTS

D392,300 S * 3/1998 Chow et al. D16/203
5,966,176 A * 10/1999 Chow et al. 348/373

D515,607 S * 2/2006 Cheng D16/203
D552,145 S * 10/2007 Grotto D16/203
D563,450 S * 3/2008 Cheng D16/203
D613,323 S * 4/2010 Jang et al. D16/203
D614,221 S * 4/2010 Park D16/203

* cited by examiner

Primary Examiner — Adir Aronovich

(74) *Attorney, Agent, or Firm* — Cantor Colburn LLP

(57) **CLAIM**

The ornamental design for a camera for closed circuit television, as shown and described.

DESCRIPTION

FIG. 1 is a front and right side perspective view of a camera for closed circuit television, showing my new design;
FIG. 2 is a front elevational view thereof;
FIG. 3 is a rear elevational view thereof;
FIG. 4 is a left side elevational view thereof;
FIG. 5 is a right side elevational view thereof;
FIG. 6 is a top plan view thereof; and,
FIG. 7 is a bottom plan view.

1 Claim, 7 Drawing Sheets

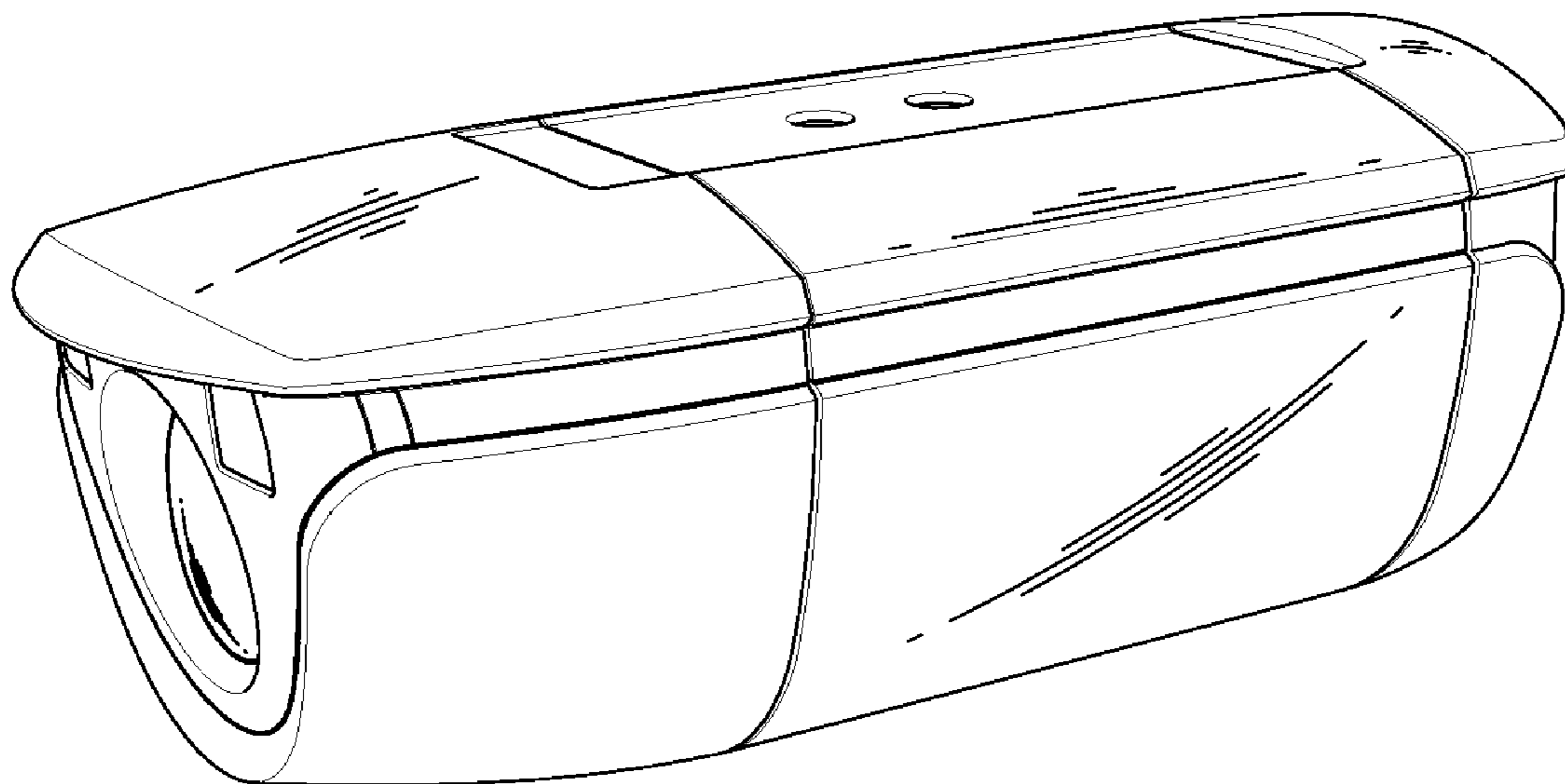


FIG. 1

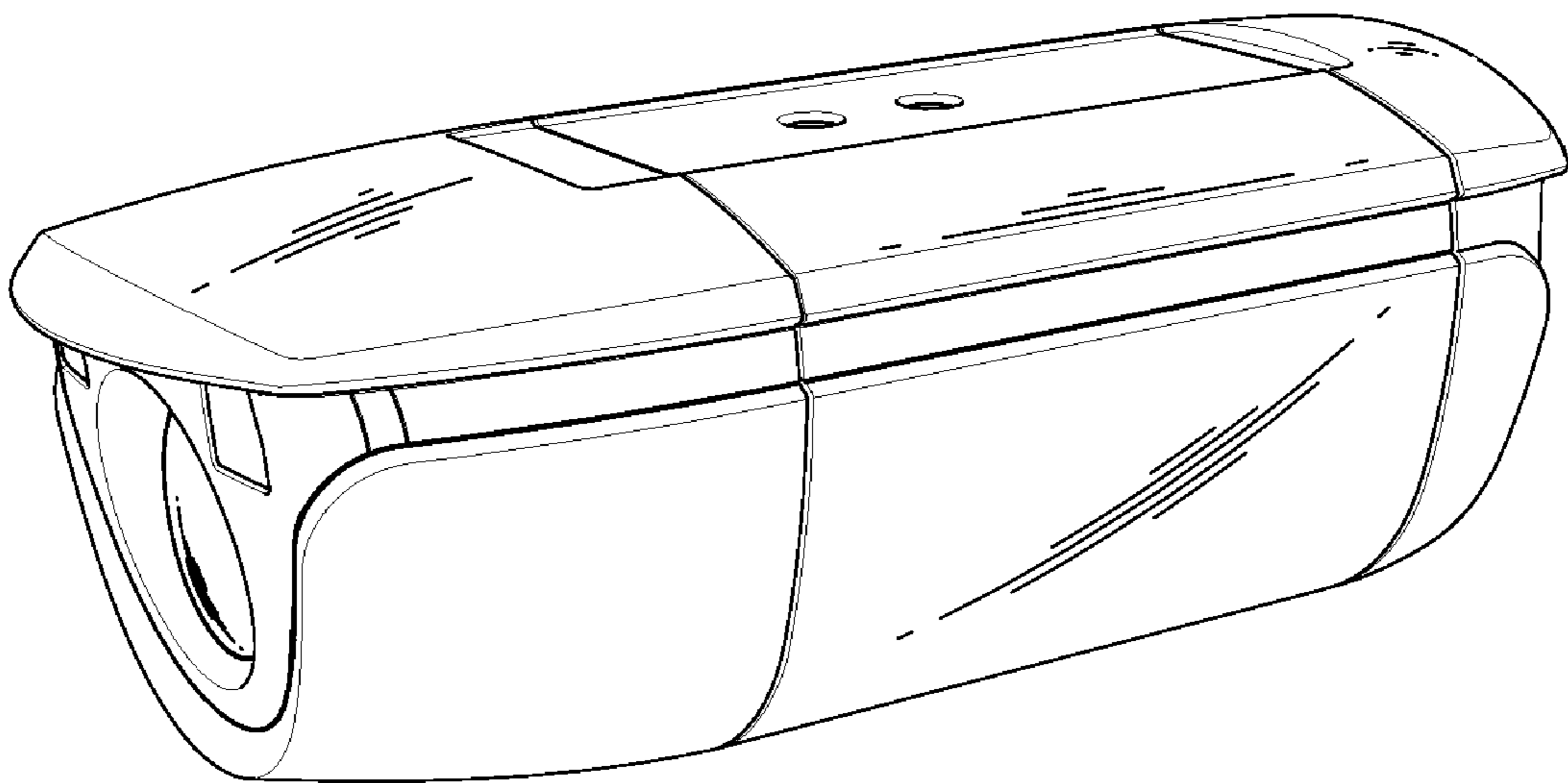


FIG. 2

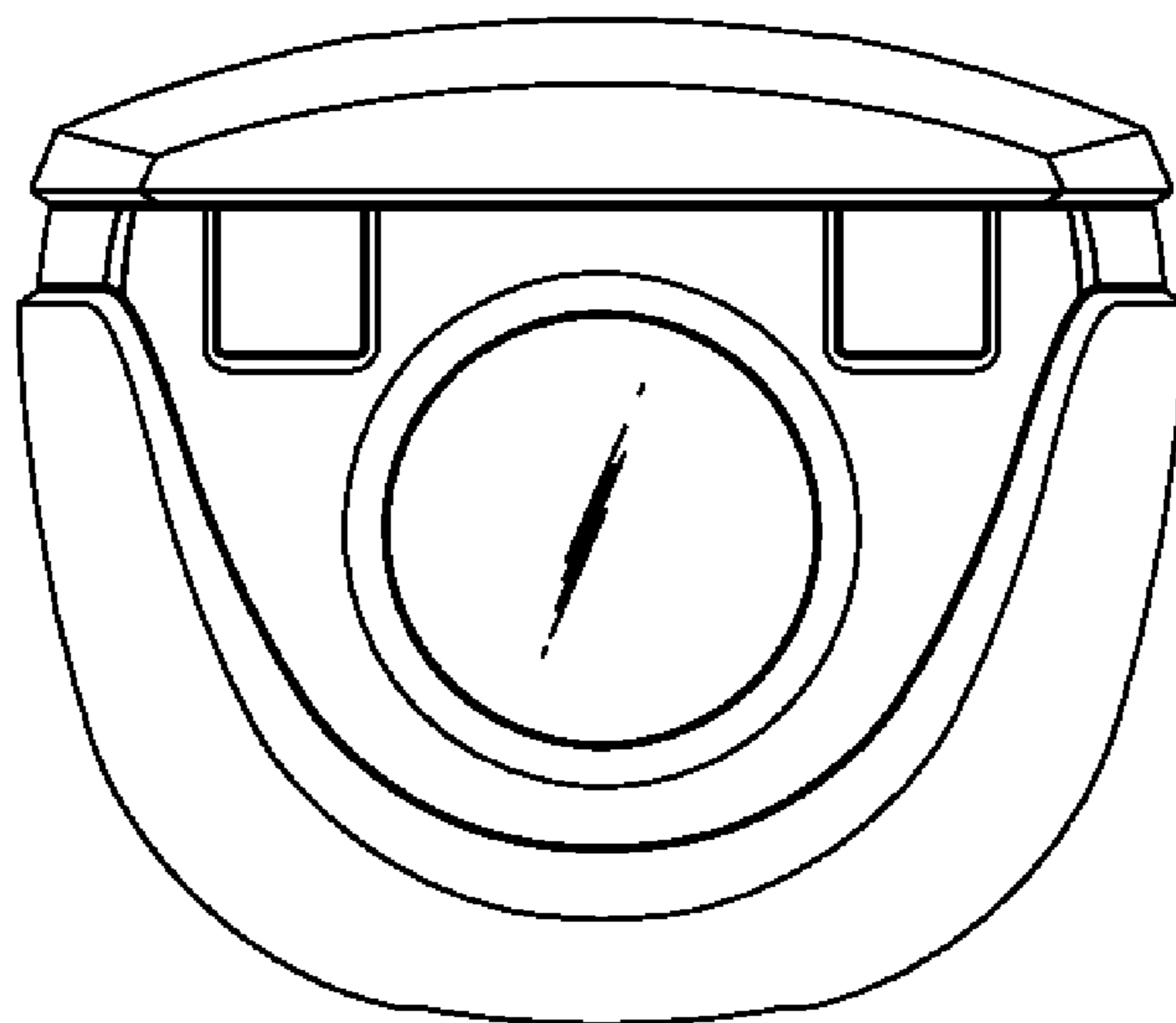


FIG. 3

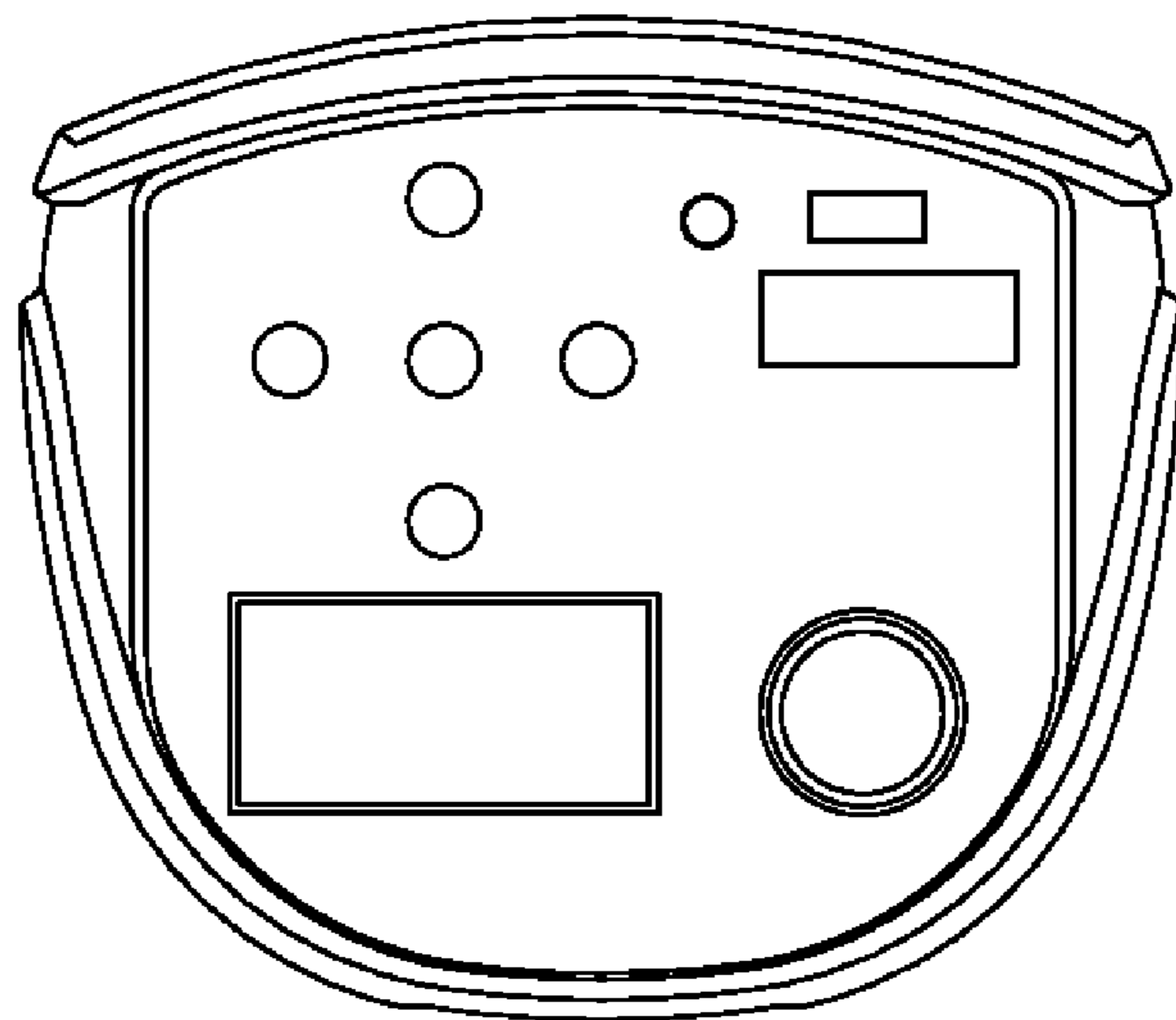


FIG. 4

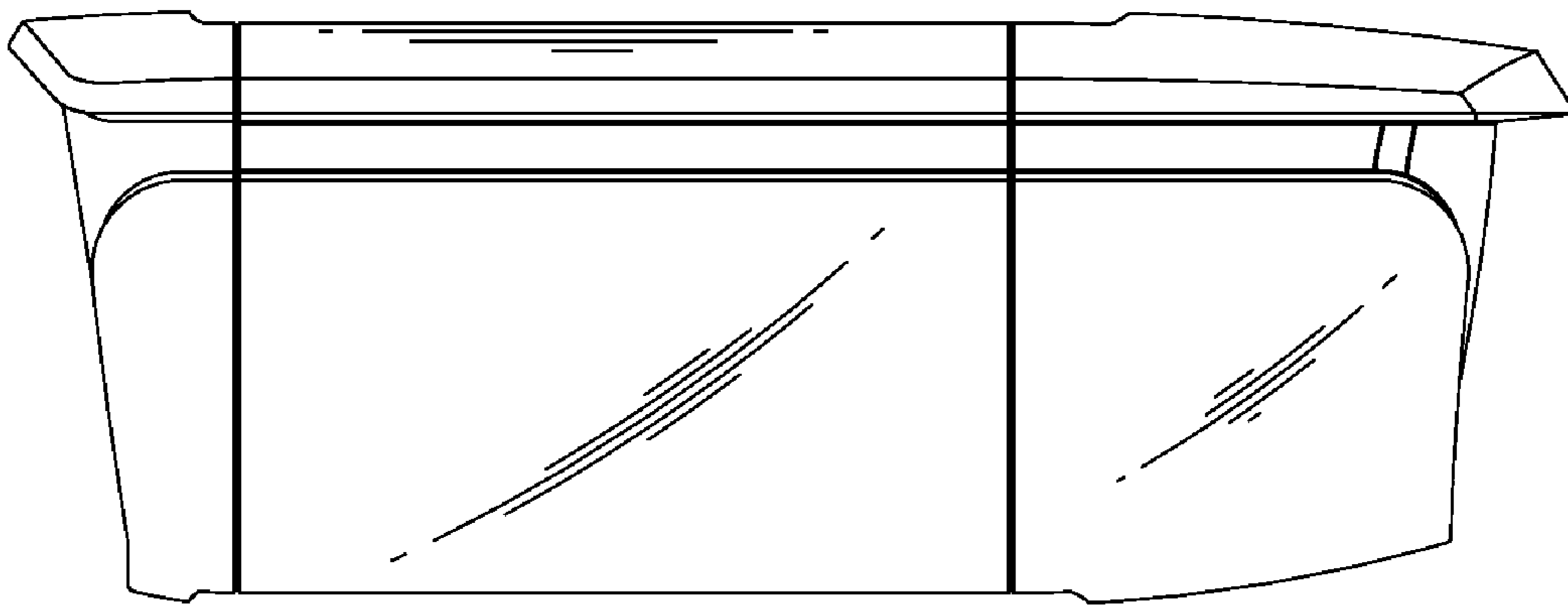


FIG. 5

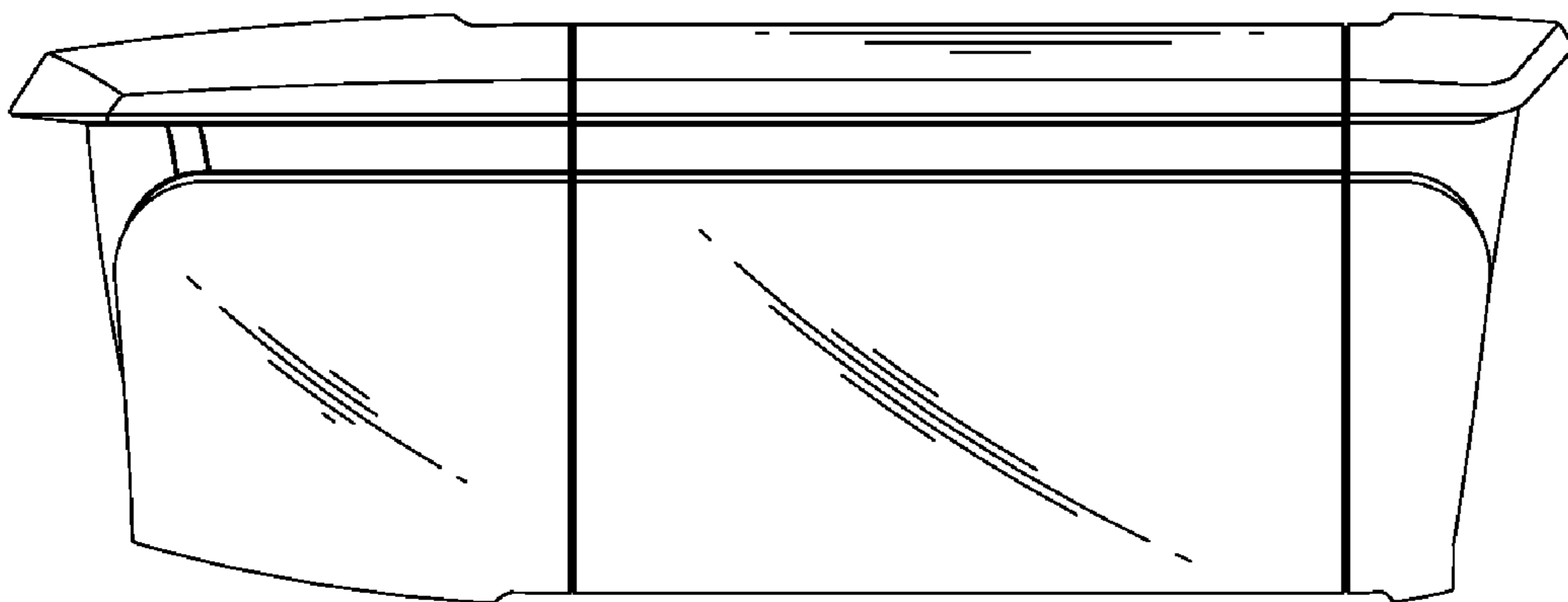


FIG. 6

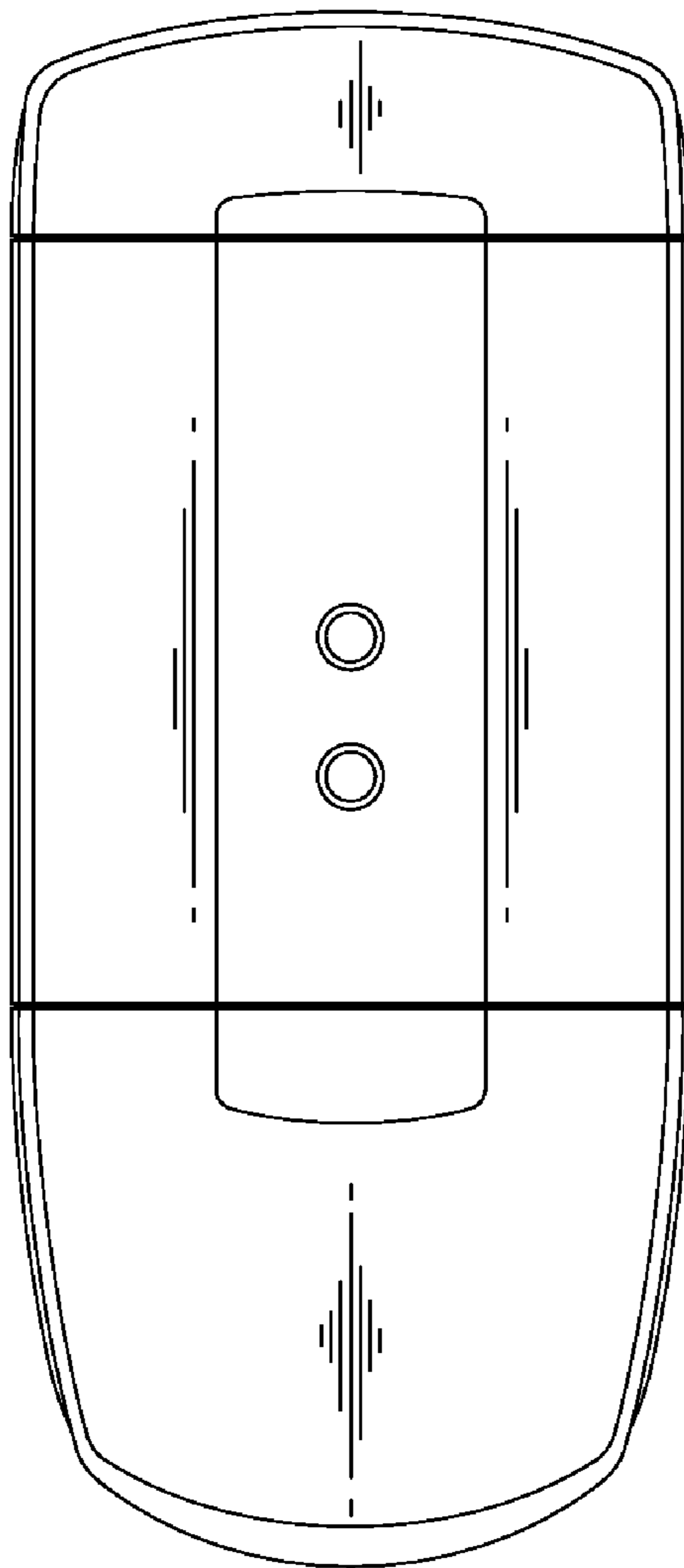


FIG. 7

