

US00D633926S

(12) **United States Design Patent**  
**Shimada et al.**

(10) **Patent No.:** **US D633,926 S**  
(45) **Date of Patent:** **\*\* Mar. 8, 2011**

(54) **POWER SHOVEL**

(75) Inventors: **Yoshihide Shimada**, Nagano (JP);  
**Toshihiko Takeuchi**, Nagano (JP)

(73) Assignee: **Takeuchi Mfg., Co., Ltd.** (JP)

(\*\*) Term: **14 Years**

(21) Appl. No.: **29/353,387**

(22) Filed: **Jan. 7, 2010**

**Related U.S. Application Data**

(62) Division of application No. 29/304,155, filed on Feb. 26, 2008, now Pat. No. Des. 609,252.

**Foreign Application Priority Data**

Oct. 1, 2007 (JP) ..... 2007-026851  
Oct. 1, 2007 (JP) ..... 2007-026852

(51) **LOC (9) Cl.** ..... **12-09**

(52) **U.S. Cl.** ..... **D15/25; D15/24**

(58) **Field of Classification Search** ..... D15/10,  
D15/22-26, 28, 30; 180/89.1, 89.12, 89.13,  
180/900, 9.1, 9.2, 9.62; 37/379; 414/694,  
414/699, 722-724, 660, 685, 698, 719, 743  
See application file for complete search history.

(56) **References Cited**

**U.S. PATENT DOCUMENTS**

3,608,756 A \* 9/1971 Guinot ..... 414/694  
3,674,162 A \* 7/1972 Smith ..... 414/694  
4,728,251 A \* 3/1988 Takashima et al. .... 414/694  
D309,313 S \* 7/1990 Takashima et al. .... D15/25  
D312,468 S \* 11/1990 Masumoto et al. .... D15/25  
D354,497 S \* 1/1995 Kusunoki et al. .... D15/25  
D387,360 S \* 12/1997 Ishizaki et al. .... D15/25  
D431,253 S \* 9/2000 Marchetta et al. .... D15/25  
D440,235 S \* 4/2001 Kuwae et al. .... D15/25  
D450,717 S \* 11/2001 Muraro ..... D15/25  
D458,941 S \* 6/2002 Miyanishi et al. .... D15/25  
D460,462 S \* 7/2002 Miyanishi et al. .... D15/25  
D460,974 S \* 7/2002 Murakami et al. .... D15/25

D462,973 S \* 9/2002 Tamaru et al. .... D15/25  
D462,974 S \* 9/2002 Yanagida et al. .... D15/25  
D463,455 S \* 9/2002 Yanagida et al. .... D15/25  
D473,571 S \* 4/2003 Kuwae et al. .... D15/25  
D474,481 S \* 5/2003 Hara ..... D15/25  
D508,498 S \* 8/2005 Shimokakiuchi et al. .... D15/24  
D509,514 S \* 9/2005 Shimokakiuchi et al. .... D15/24  
D518,071 S \* 3/2006 Gwak et al. .... D15/25  
D527,027 S \* 8/2006 Smith et al. .... D15/24  
D534,552 S \* 1/2007 Yanagida ..... D15/25  
D538,304 S \* 3/2007 Uemura ..... D15/25  
D538,827 S \* 3/2007 Uemura ..... D15/25  
D555,675 S \* 11/2007 Matsubara et al. .... D15/25  
D561,785 S \* 2/2008 Imashige et al. .... D15/24  
D576,180 S \* 9/2008 Kuwae et al. .... D15/25  
D594,883 S \* 6/2009 Ikeda et al. .... D15/25  
D609,252 S \* 2/2010 Shimada et al. .... D15/25

\* cited by examiner

*Primary Examiner*—Mark A Goodwin

(74) *Attorney, Agent, or Firm*—Studebaker & Brackett PC;  
Donald R. Studebaker

(57) **CLAIM**

The ornamental design for a power shovel, as shown and described.

**DESCRIPTION**

FIG. 1 is a left side view of a power shovel showing our new design;

FIG. 2 is a front view thereof;

FIG. 3 is a rear view thereof;

FIG. 4 is a top plan view thereof;

FIG. 5 is a bottom plan view thereof;

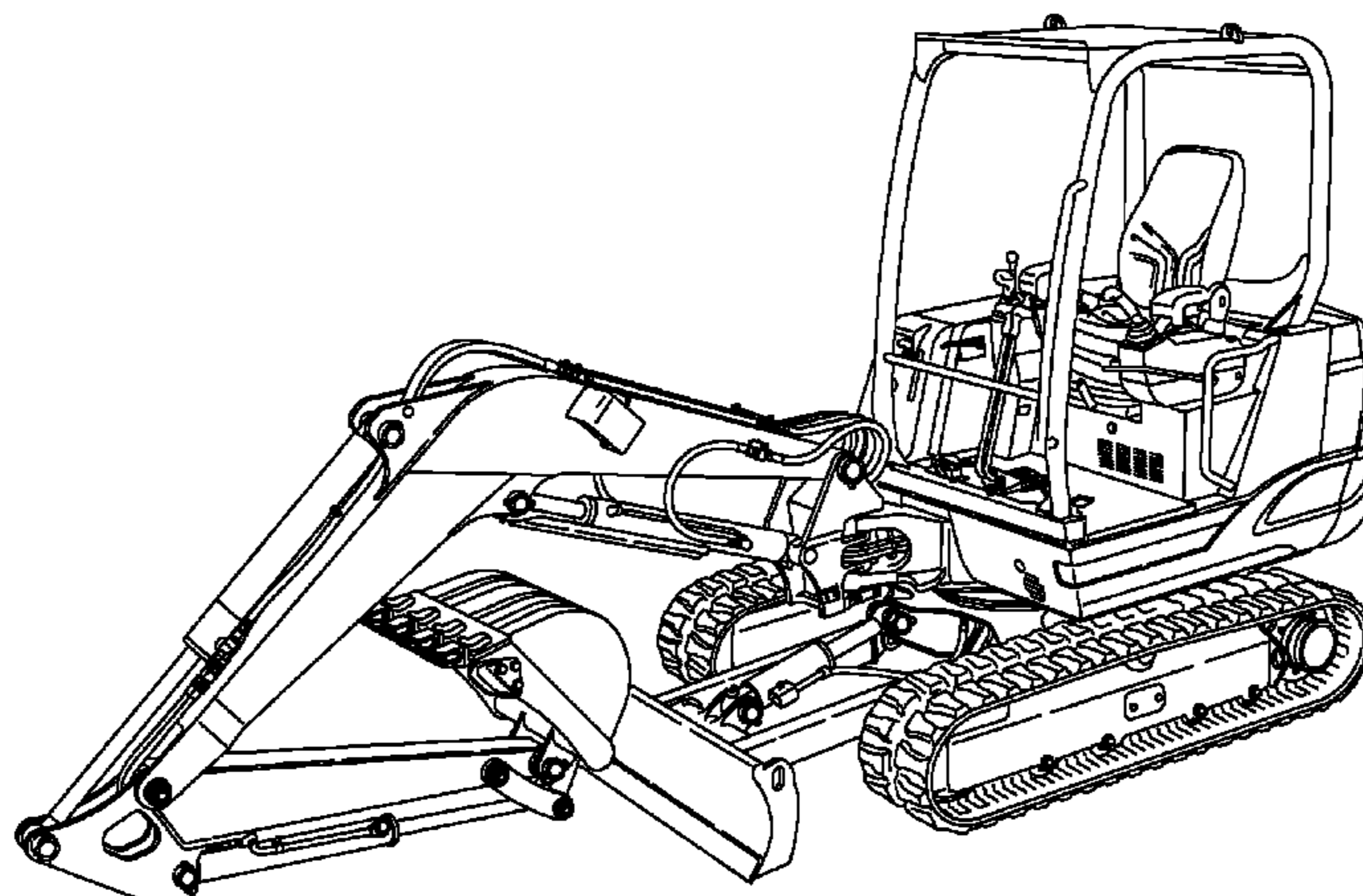
FIG. 6 is a right side view thereof;

FIG. 7 is a left side perspective view thereof; and,

FIG. 8 is a right side perspective view thereof.

The broken line portions in the figure drawing views is included to show unclaimed environmental structure only and forms no part of the claimed design.

**1 Claim, 8 Drawing Sheets**



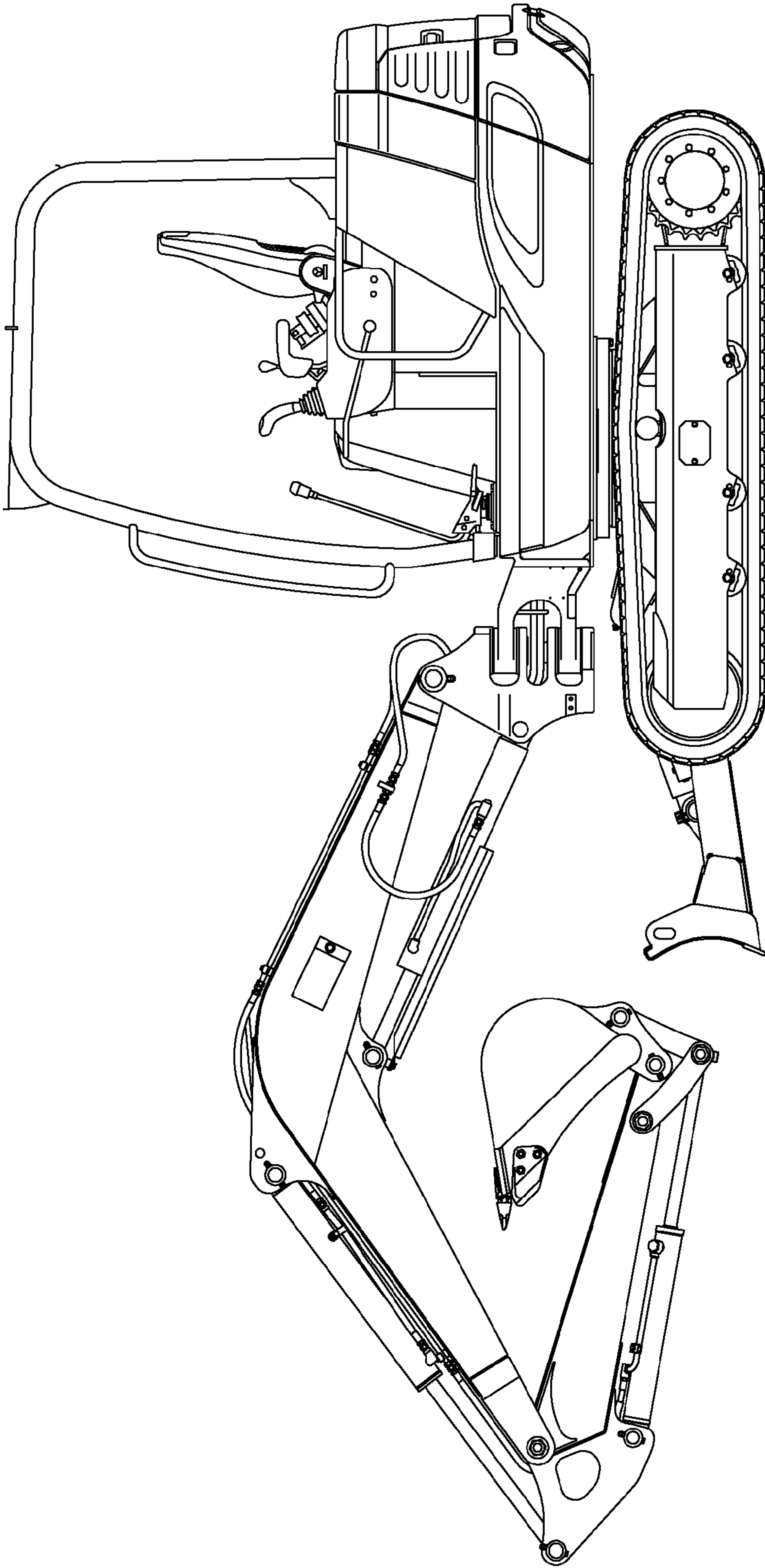


FIG.1

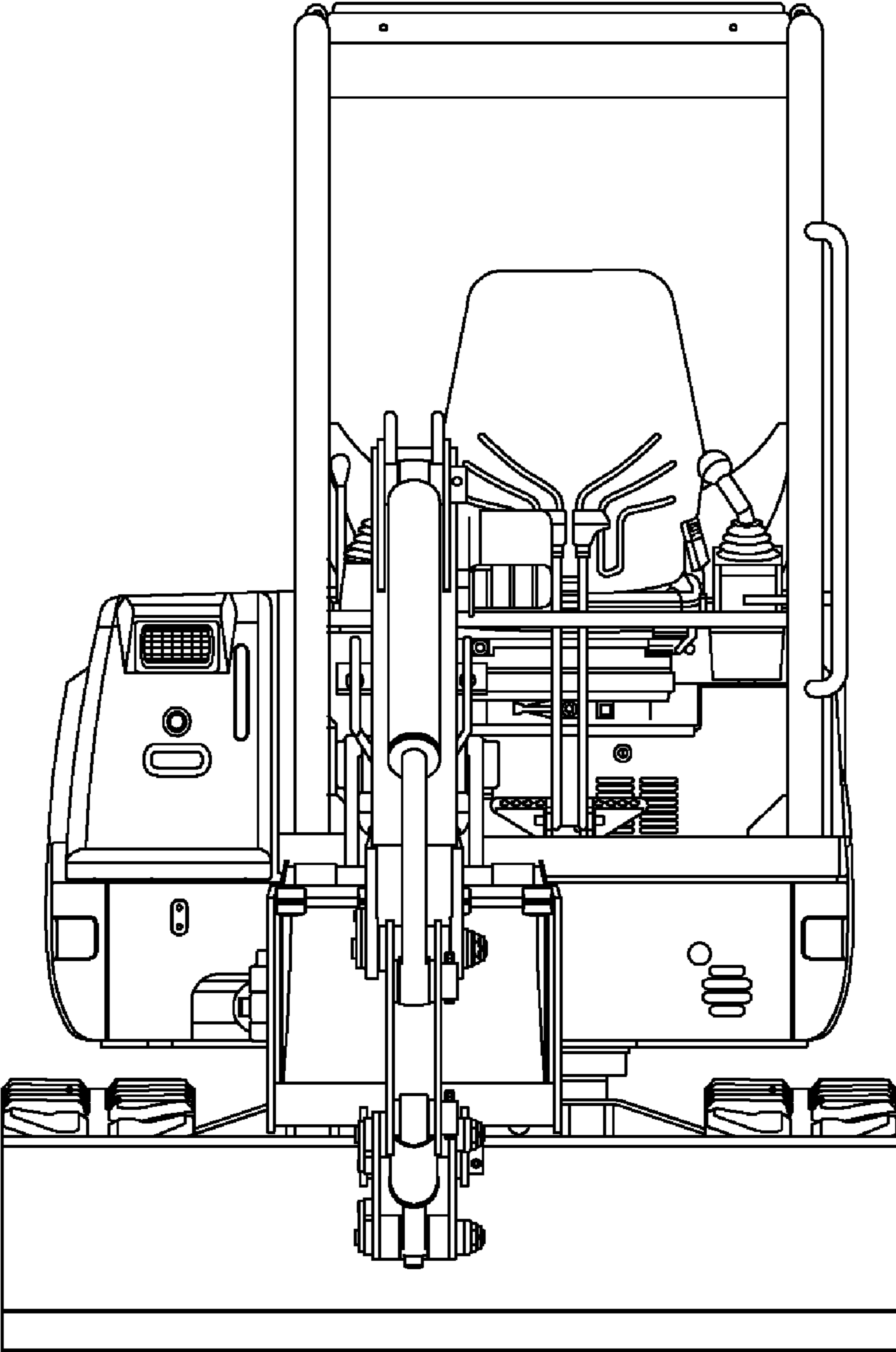


FIG.2

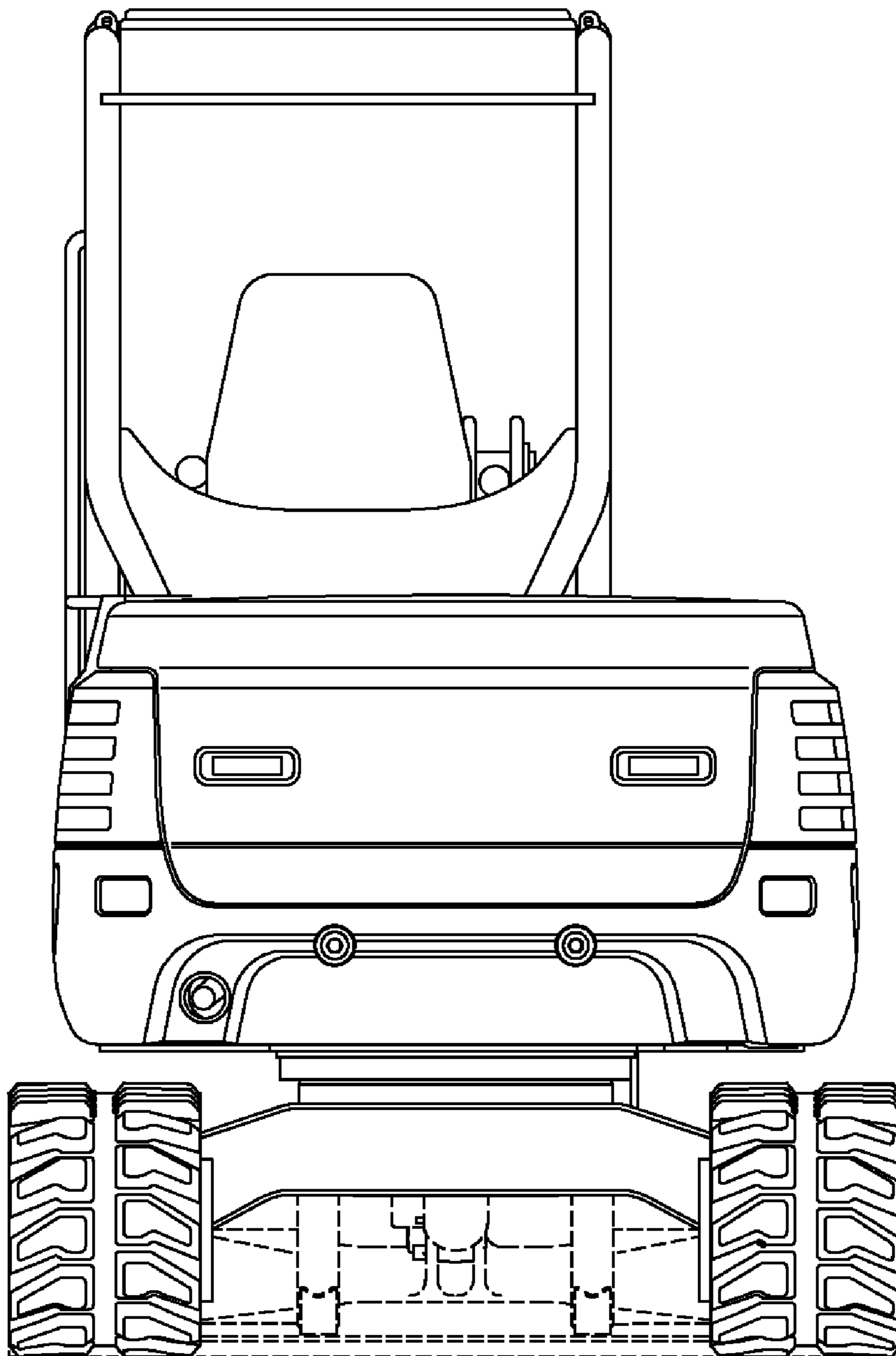


FIG. 3

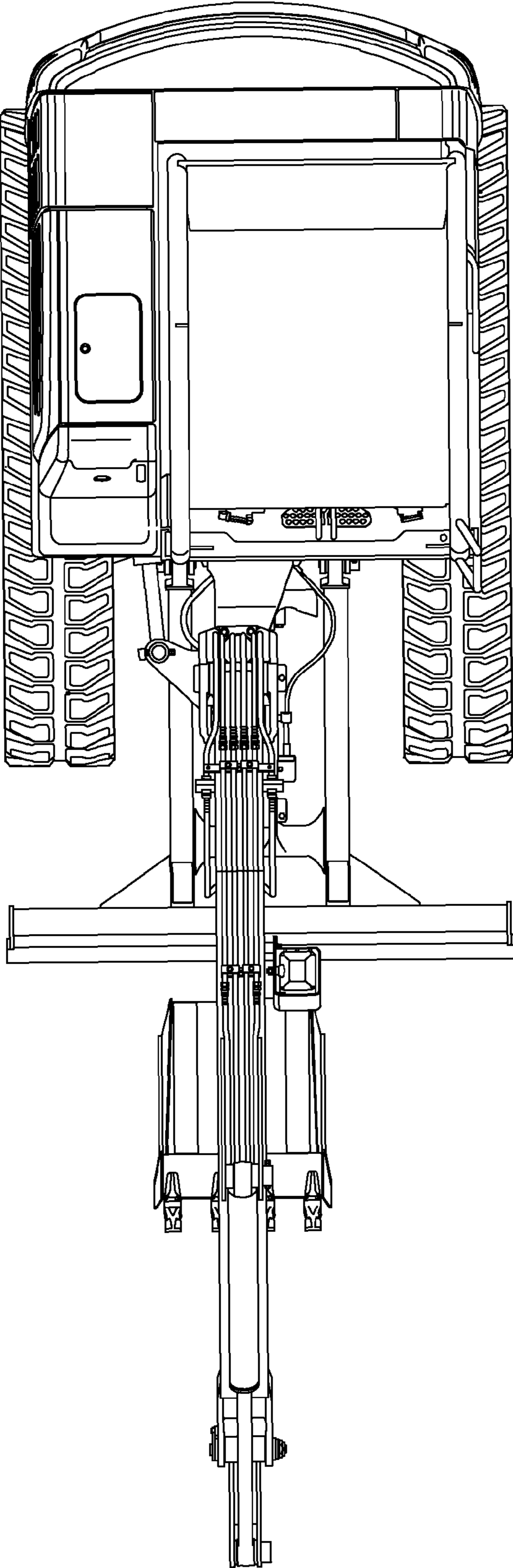


FIG.4

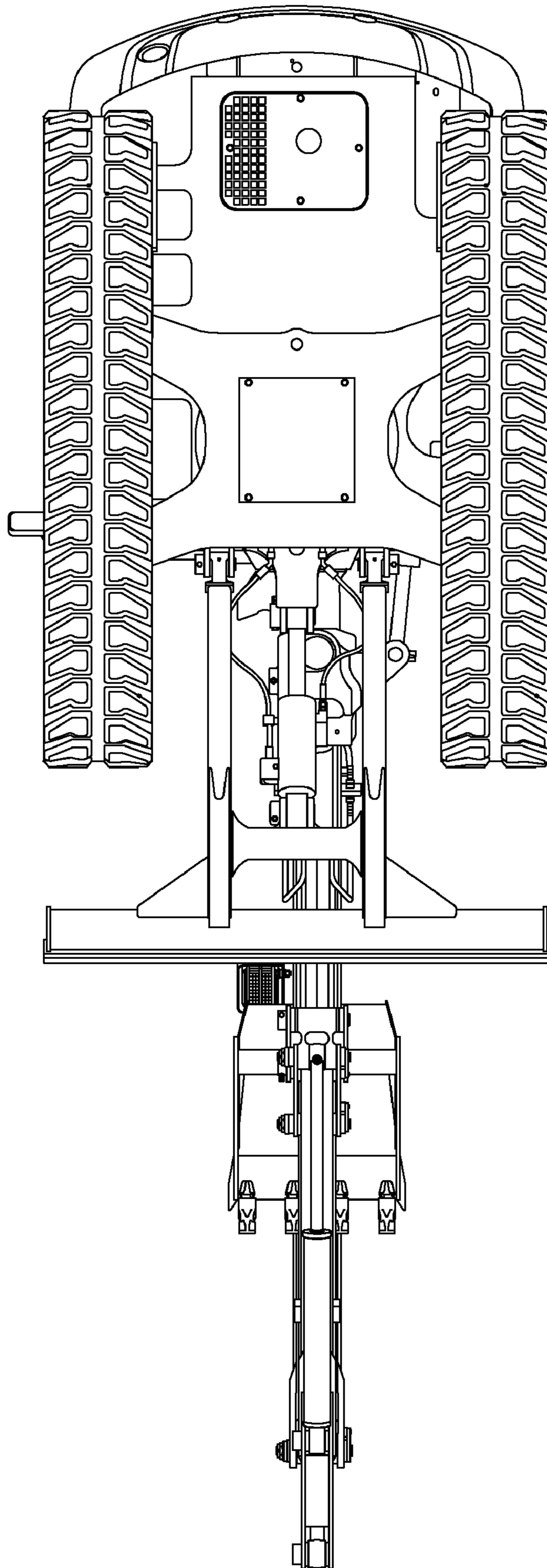


FIG. 5

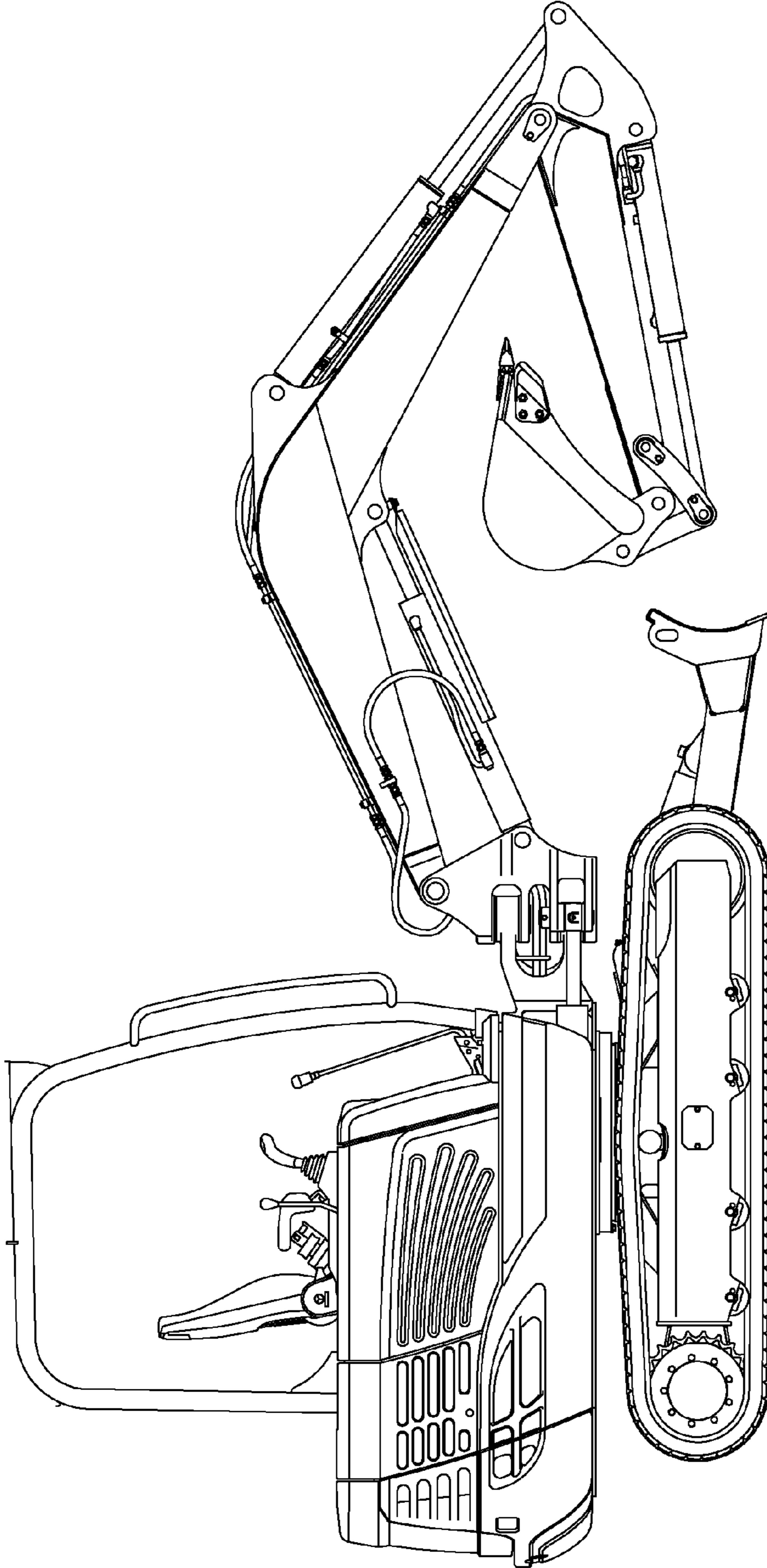


FIG.6

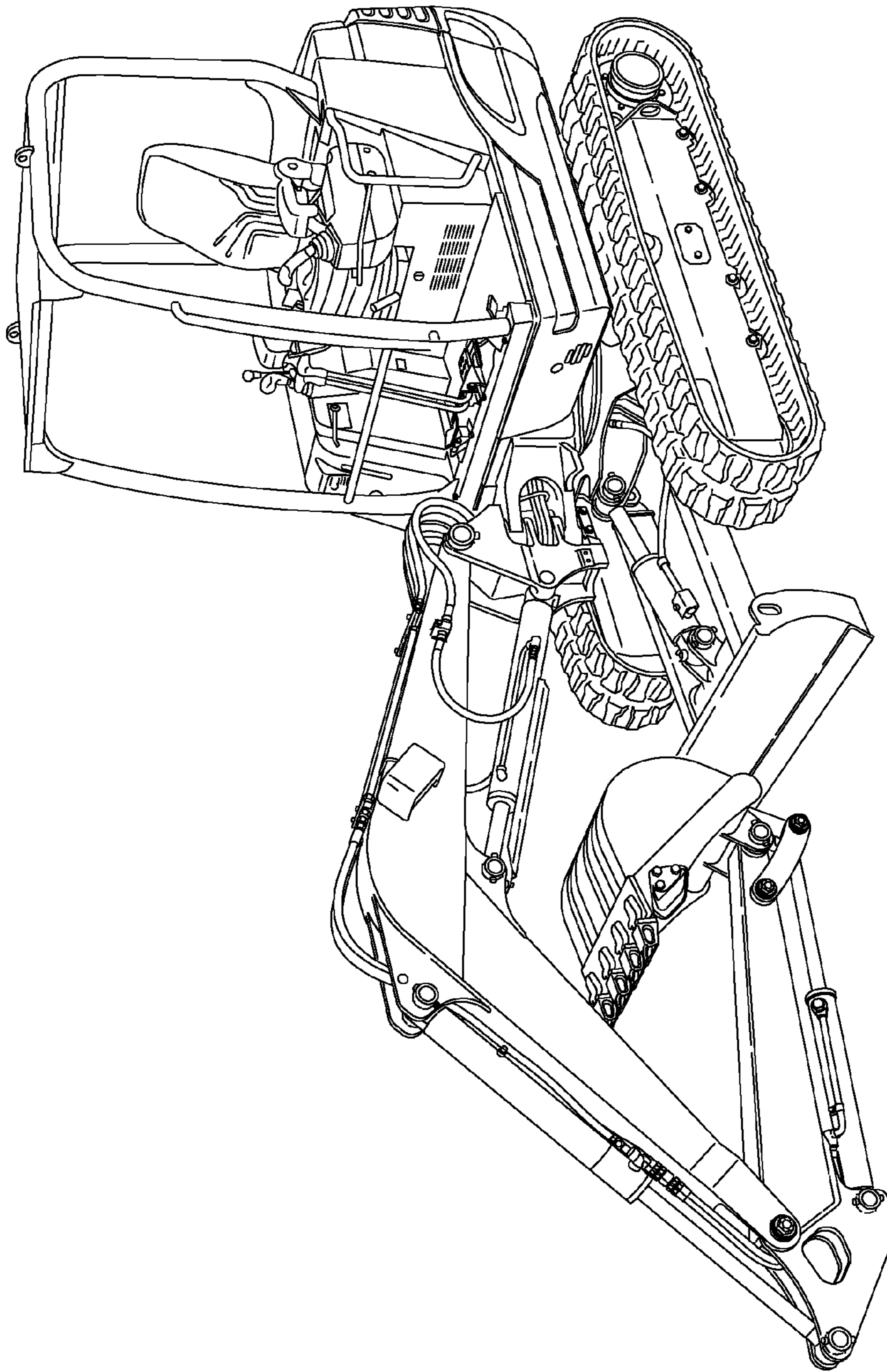


FIG. 7



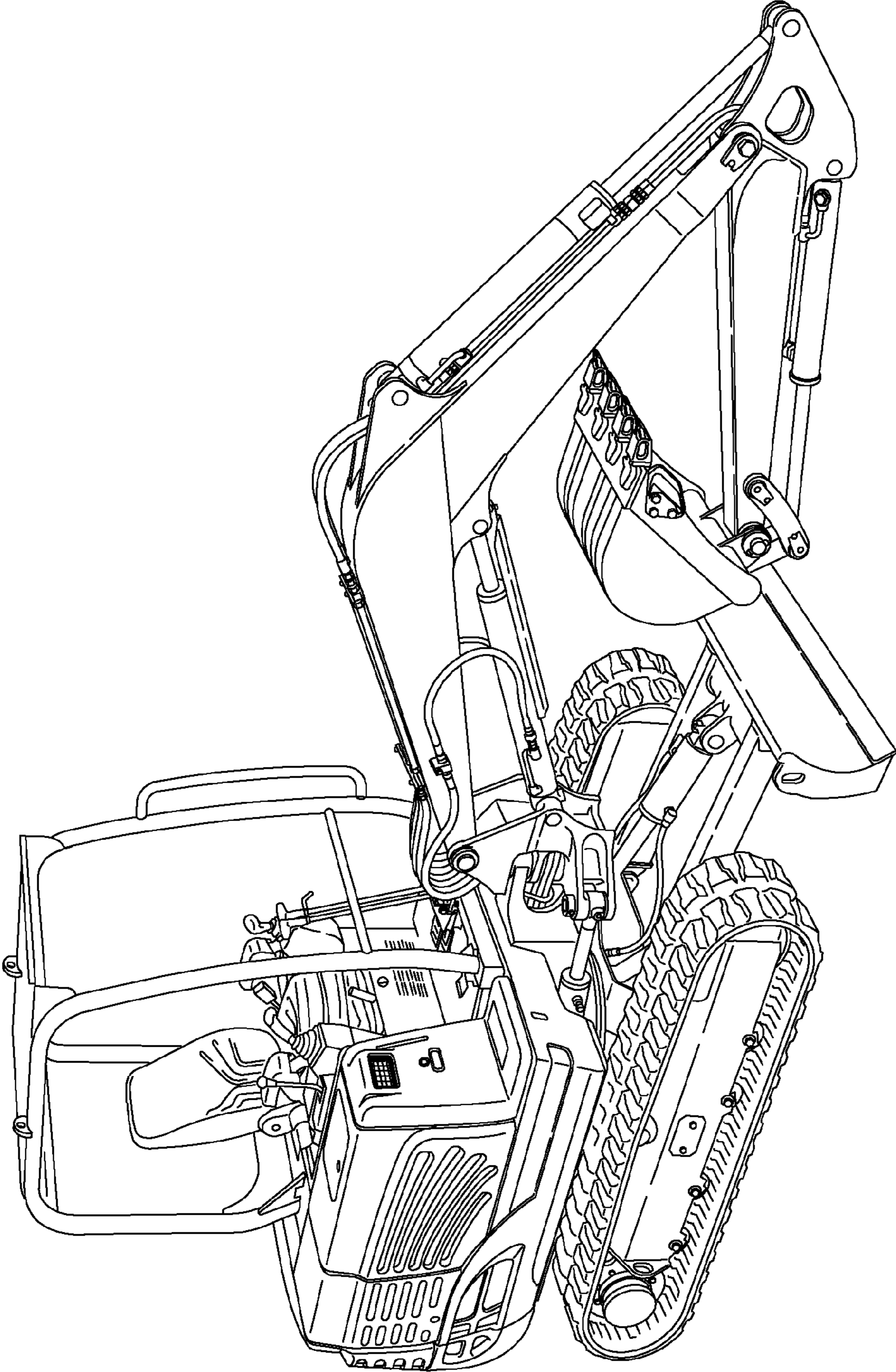


FIG.8