



US00D633925S

(12) **United States Design Patent**  
**Sadachika**

(10) **Patent No.:** **US D633,925 S**  
(45) **Date of Patent:** **\*\* Mar. 8, 2011**

(54) **DIAPHRAGM PUMP**

D618,705 S \* 6/2010 Sadachika ..... D15/7

(75) Inventor: **Tetsuo Sadachika**, Tsukubamirai (JP)

\* cited by examiner

(73) Assignee: **SMC Corporation**, Chiyoda-ku, Tokyo (JP)

*Primary Examiner*—Ralf Seifert

(74) *Attorney, Agent, or Firm*—Yokoi & Co., U.S.A., Inc.; Toshiyuki Yokoi

(\*\*) Term: **14 Years**

(57) **CLAIM**

(21) Appl. No.: **29/356,169**

The ornamental design for a diaphragm pump, as shown and described.

(22) Filed: **Feb. 20, 2010**

(30) **Foreign Application Priority Data**

**DESCRIPTION**

Aug. 21, 2009 (JP) ..... 2009-019145

FIG. 1 shows a front view of a diaphragm pump showing my new design;

(51) **LOC (9) Cl.** ..... **15-02**

FIG. 2 shows a rear view thereof;

(52) **U.S. Cl.** ..... **D15/7**

FIG. 3 shows a right side view thereof;

(58) **Field of Classification Search** ..... D15/7-9;  
D23/231, 232; 417/410.1, 359, 415-416,  
417/234, 321, 265, 405

FIG. 4 shows a left side view thereof;

FIG. 5 shows a top view thereof;

See application file for complete search history.

FIG. 6 shows a bottom view thereof;

FIG. 7 shows a bottom, front and right side perspective view thereof; and,

(56) **References Cited**

FIG. 8 shows a top, rear and left side perspective view thereof.

**U.S. PATENT DOCUMENTS**

The broken lines in FIGS. 2, 5, 6 and 8 are included for the purpose of illustrating portions of the claimed design that form no part of the claimed design.

D345,740 S	*	4/1994	Clark	.....	D15/9
D436,360 S	*	1/2001	Murayama	.....	D15/7
D520,023 S	*	5/2006	Goto et al.	.....	D15/7
D534,548 S	*	1/2007	Urano et al.	.....	D15/7
D602,500 S	*	10/2009	Tokunaga et al.	.....	D15/7

**1 Claim, 5 Drawing Sheets**

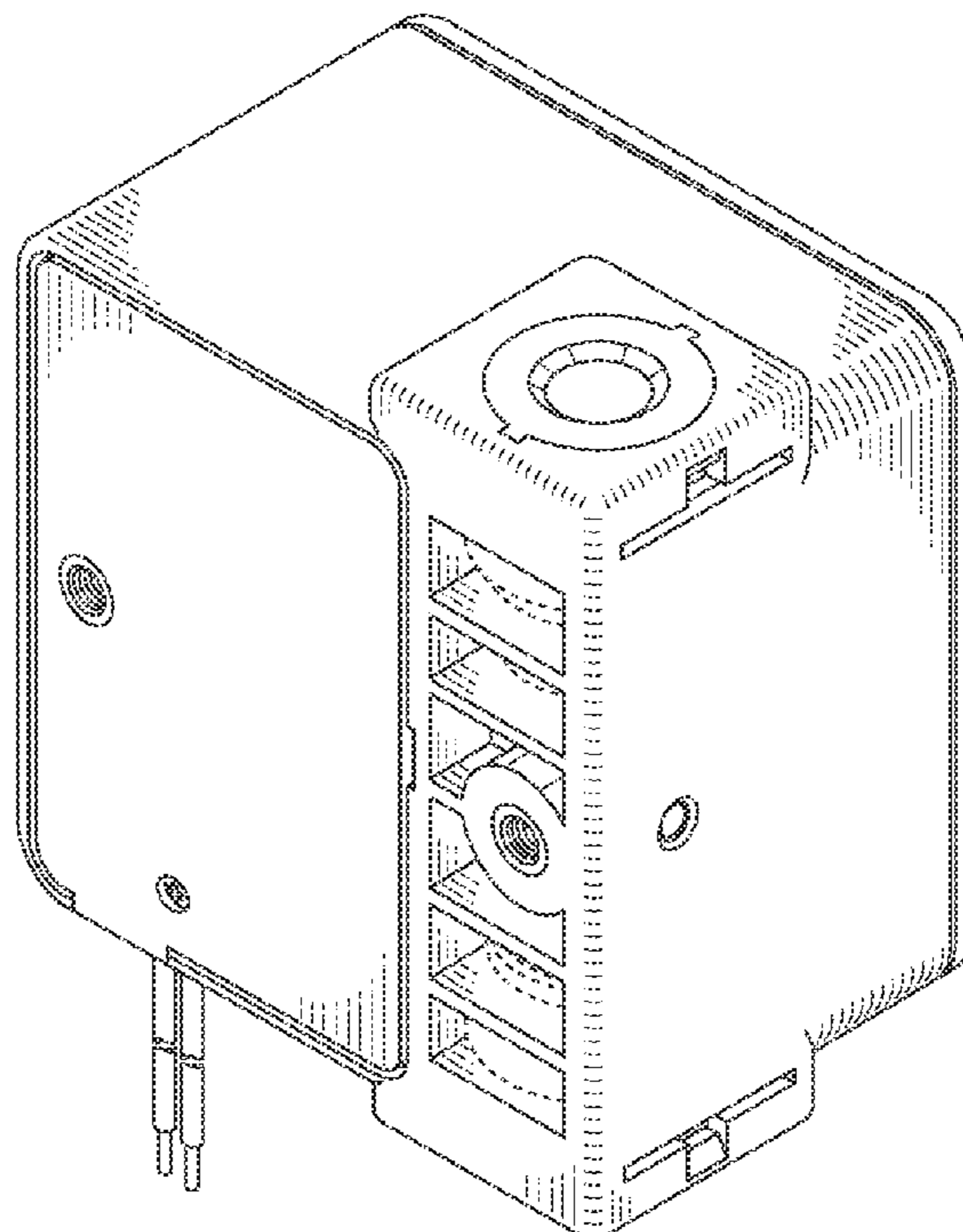


FIG. 1

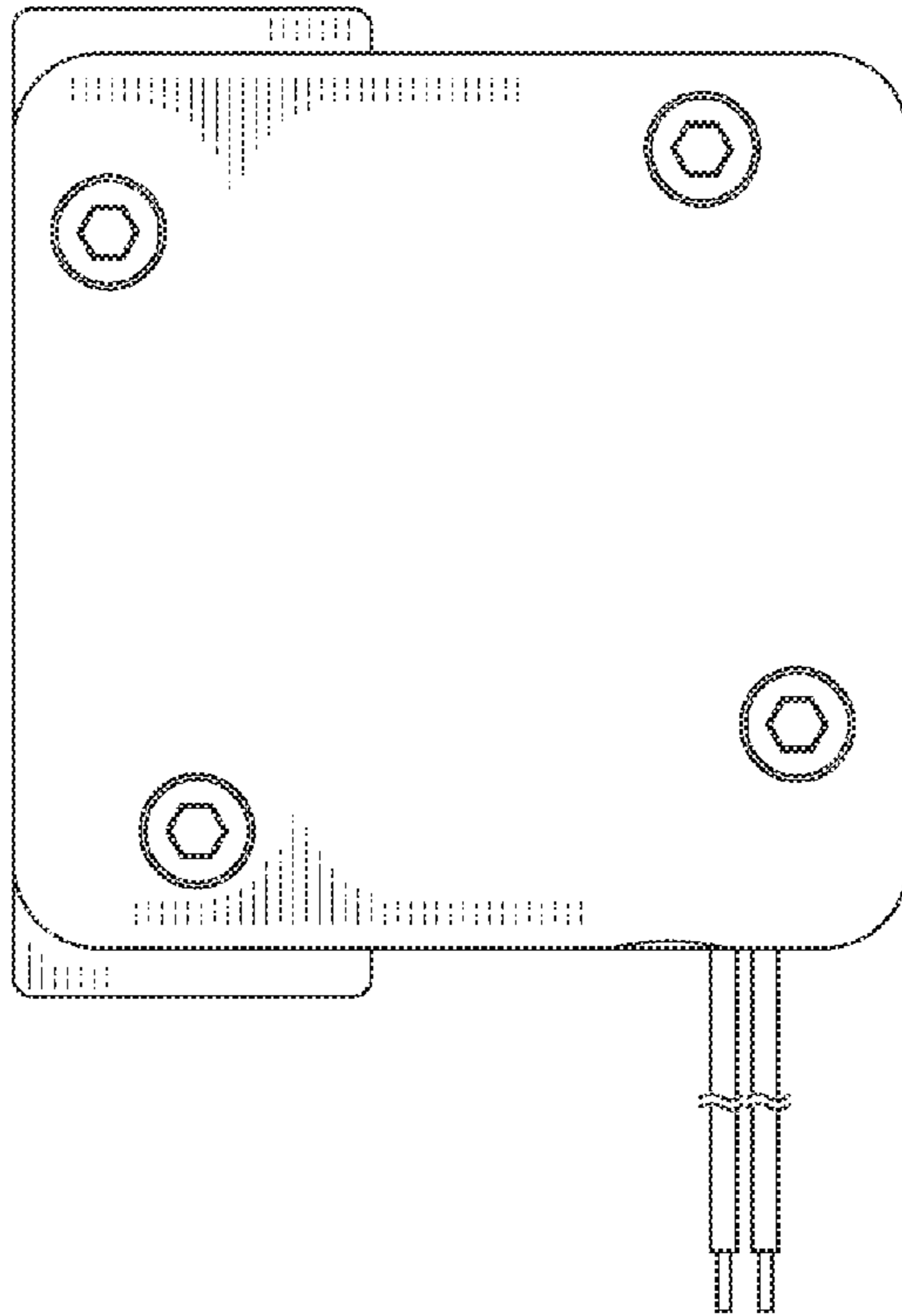


FIG. 2

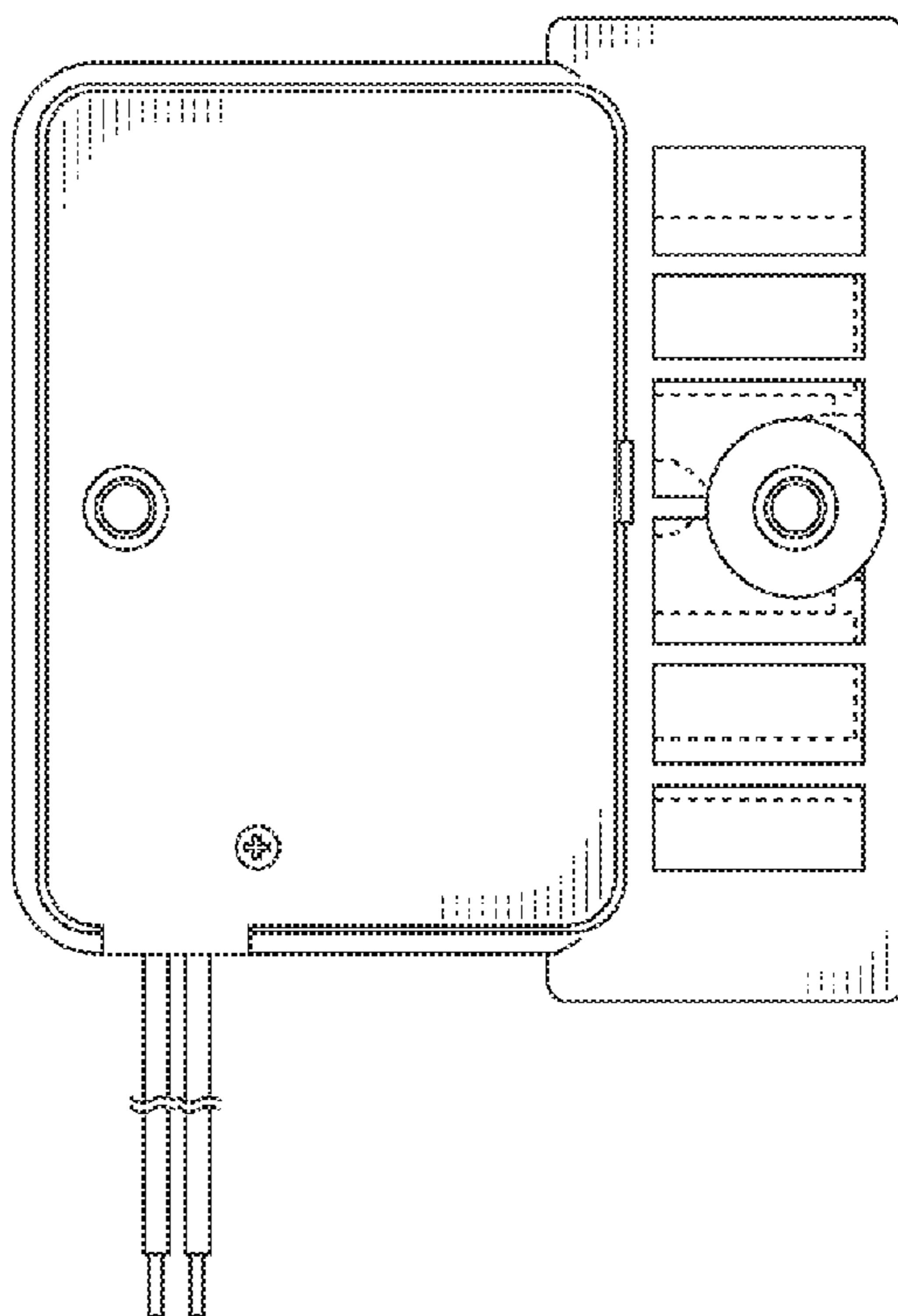


FIG. 3

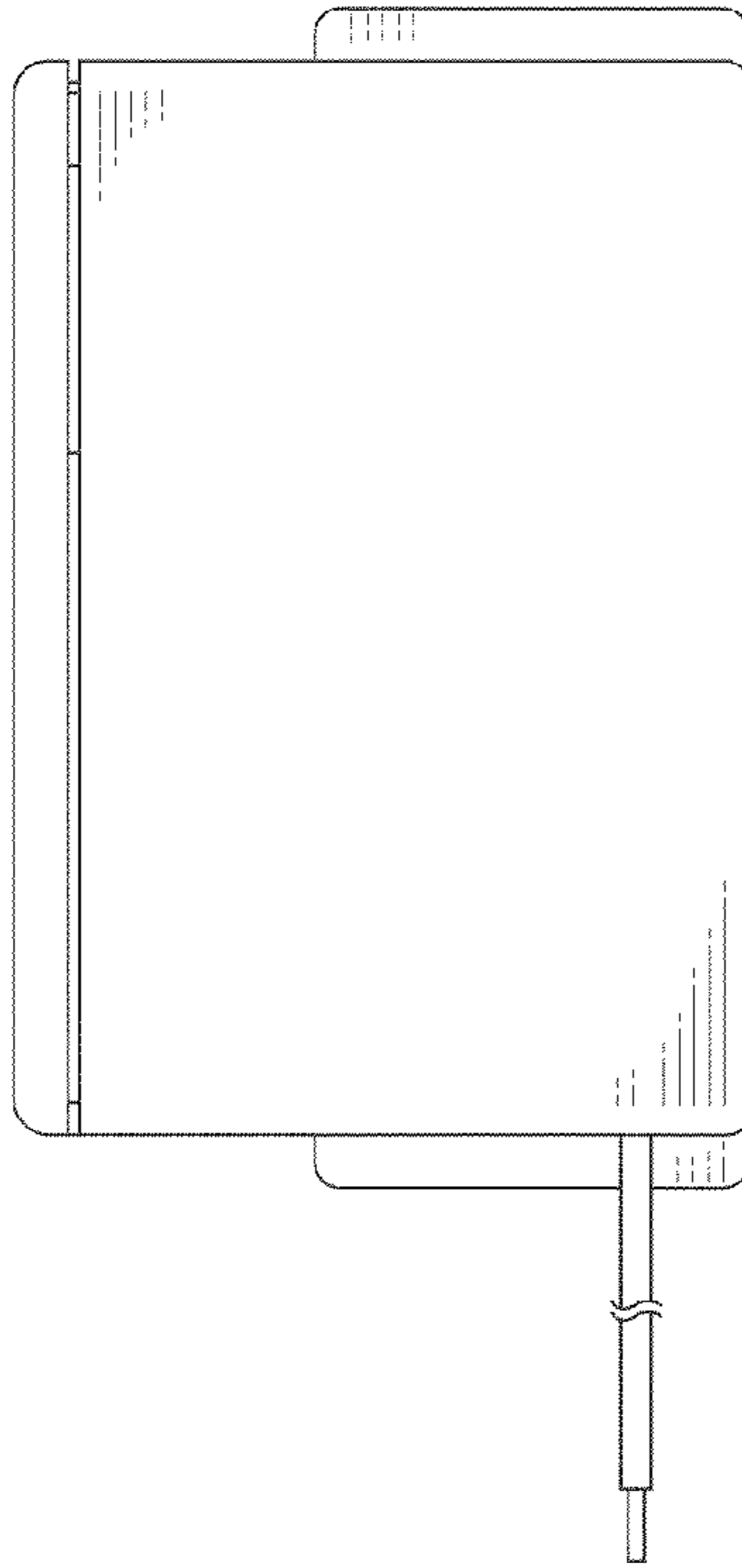


FIG. 4

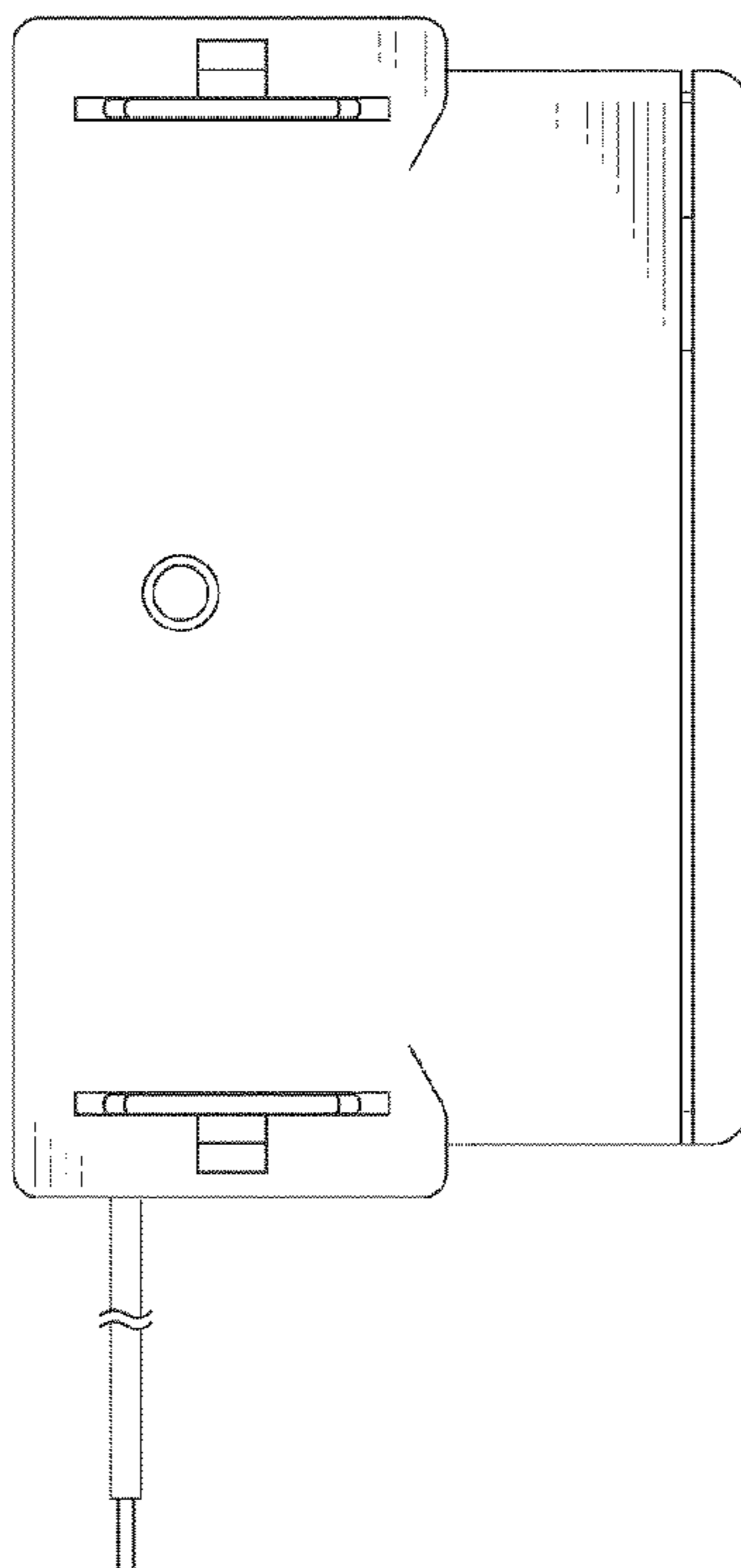


FIG. 5

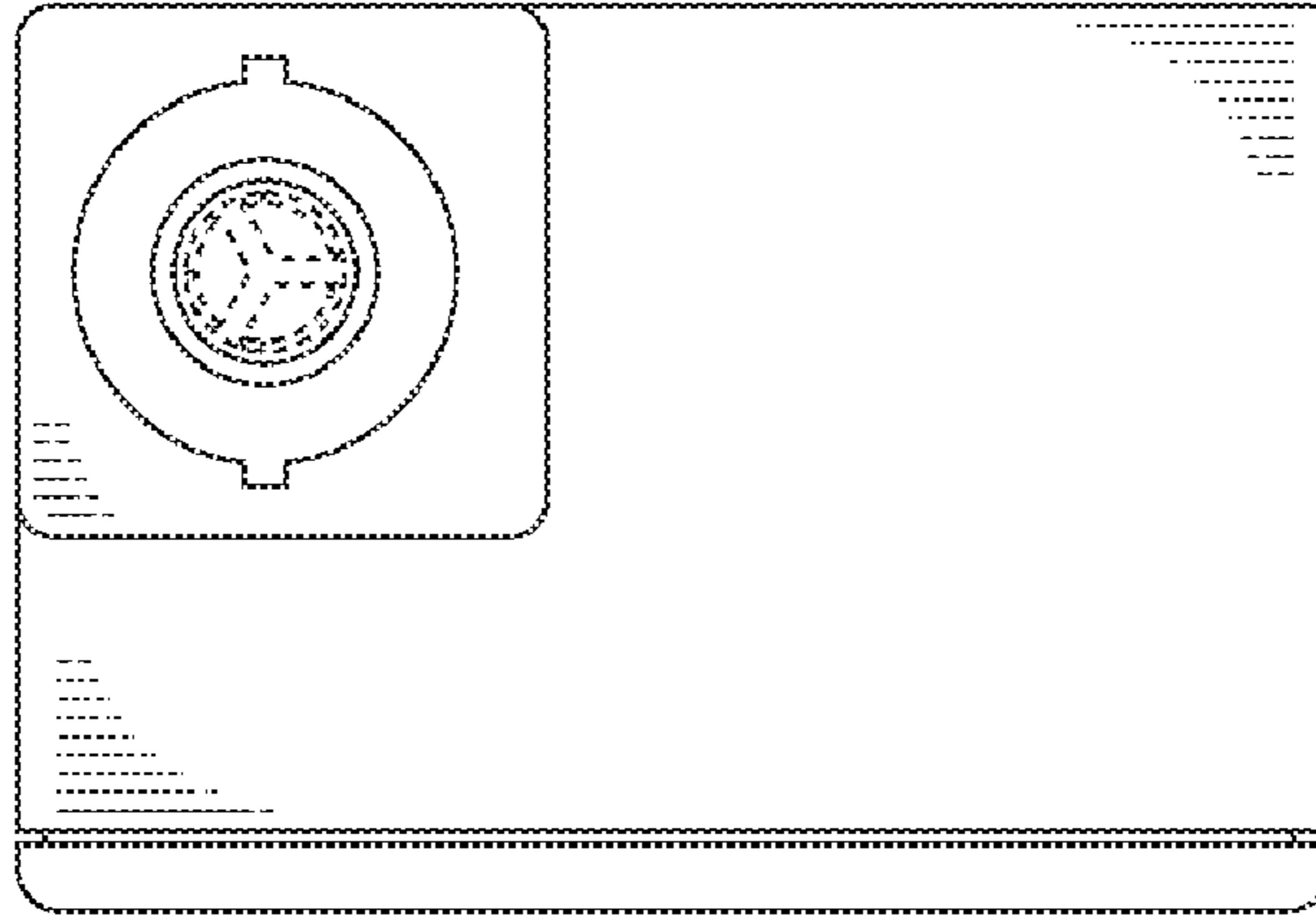


FIG. 6

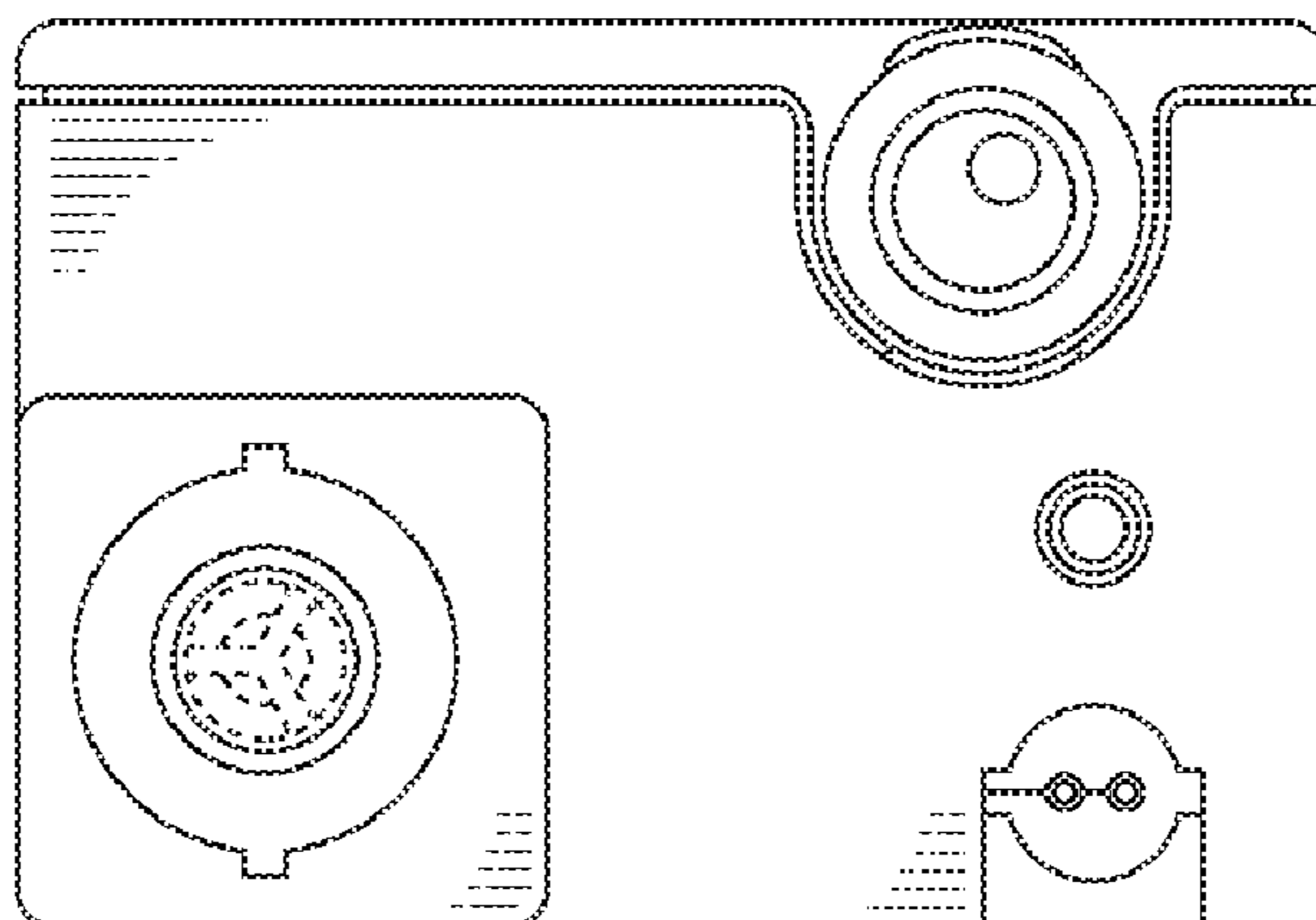


FIG. 7

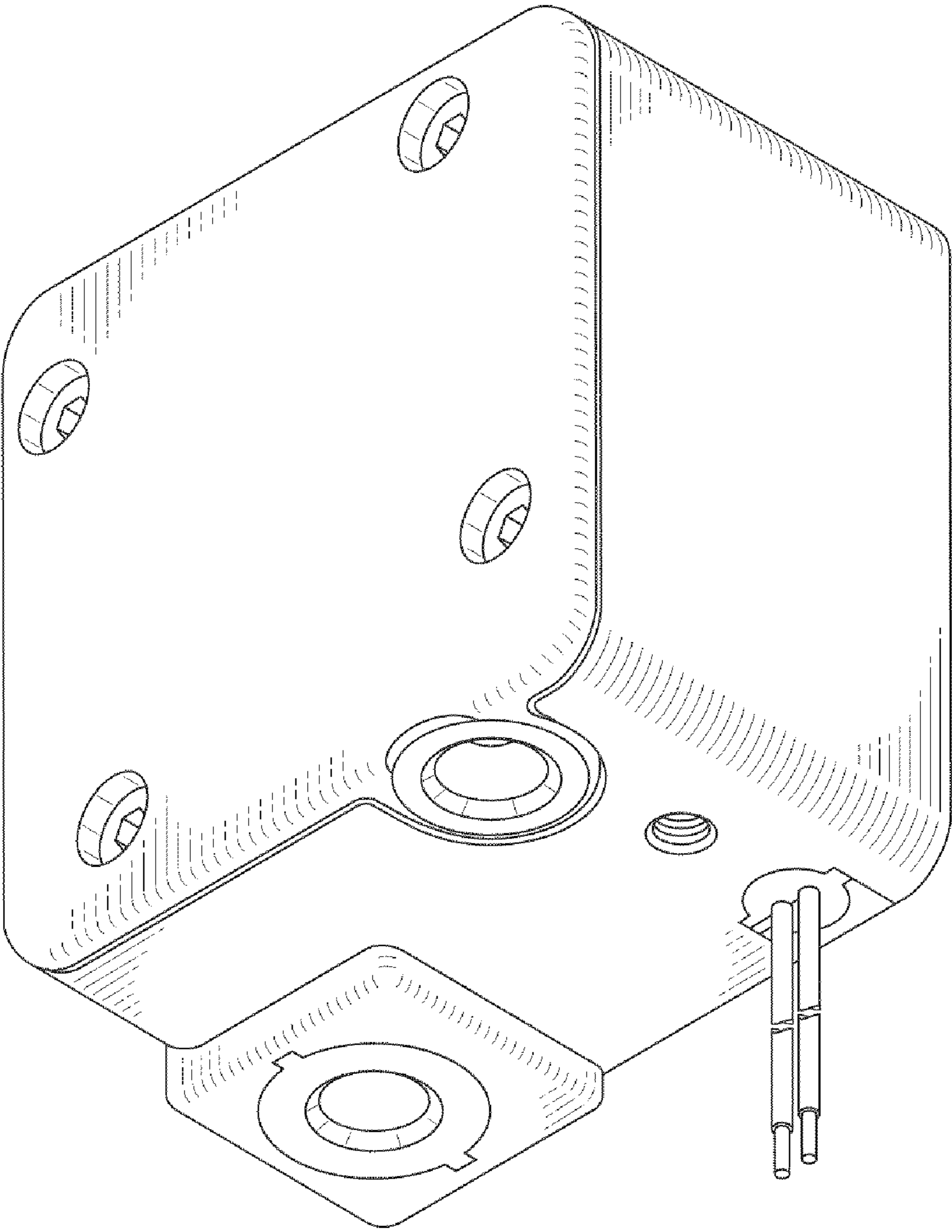


FIG. 8

