



US00D633924S

(12) **United States Design Patent**
Brancato

(10) **Patent No.:** **US D633,924 S**
(45) **Date of Patent:** **** Mar. 8, 2011**

(54) **MOTORCYCLE CRANKCASE VENTILATION
RESERVOIR AND DISSIPATER**

(76) Inventor: **David M. Brancato**, Gray, GA (US)

(**) Term: **14 Years**

(21) Appl. No.: **29/361,903**

(22) Filed: **May 17, 2010**

Related U.S. Application Data

(63) Continuation of application No. 11/932,079, filed on Oct. 31, 2007, now abandoned, which is a continuation-in-part of application No. 10/885,199, filed on Jul. 6, 2004, now abandoned.

(51) **LOC (9) Cl.** **15-01**

(52) **U.S. Cl.** **D15/5; D12/114**

(58) **Field of Classification Search** D15/1-5;
D12/110, 114, 400, 218; 123/572-574, 41.86,
123/195 A, 73 AD, 90.23, 196 CP, 198 DA,
123/198 E, 198 P; D7/387, 507; D9/716,
D9/717; D23/235; 280/288.4; 220/705-709;
D1/102, 105

See application file for complete search history.

(56) **References Cited**

U.S. PATENT DOCUMENTS

3,240,415	A *	3/1966	Pugh	229/103.1
3,834,365	A *	9/1974	Ussery	123/573
3,877,451	A *	4/1975	Lipscomb	123/573
D242,709	S *	12/1976	Schourup	D23/235
4,453,525	A *	6/1984	DeBruler	123/573
4,632,071	A *	12/1986	Arai et al.	123/41.86
5,205,243	A *	4/1993	Buchholz	123/41.86
5,205,848	A *	4/1993	Blanc et al.	55/310
5,417,184	A *	5/1995	McDowell	123/41.86
5,681,372	A *	10/1997	Magits	95/273
6,024,058	A *	2/2000	Burnett	123/41.86
D426,494	S *	6/2000	Wimmer	D12/114
6,167,849	B1 *	1/2001	Wilson	123/41.86
6,457,597	B2 *	10/2002	Hirota et al.	220/258.2
6,460,525	B1 *	10/2002	Shureb	123/572

(Continued)

OTHER PUBLICATIONS

J & P Cycles® 2008 Keeping the World on 2 Wheels® catalog, crankcase breathers, assemblies, and parts on p. 946 2 pages.*

Primary Examiner — Susan M Lee

Assistant Examiner — Linda G. Brooks

(74) *Attorney, Agent, or Firm* — Gardner Groff Greenwald & Villanueva, PC

(57) **CLAIM**

The ornamental design for a motorcycle crankcase ventilation reservoir and dissipater, substantially as shown and described.

DESCRIPTION

FIG. 1 is a first perspective view of a motorcycle crankcase ventilation reservoir and dissipater according to the present design.

FIG. 2 is a second perspective view of the motorcycle crankcase ventilation reservoir and dissipater of FIG. 1.

FIG. 3 is a bottom view of the motorcycle crankcase ventilation reservoir and dissipater of FIG. 1.

FIG. 4 is a top view of the motorcycle crankcase ventilation reservoir and dissipater of FIG. 1 shown with a cross section line 9—9.

FIG. 5 is a first side view of the motorcycle crankcase ventilation reservoir and dissipater of FIG. 1.

FIG. 6 is a second side view of the motorcycle crankcase ventilation reservoir and dissipater of FIG. 1.

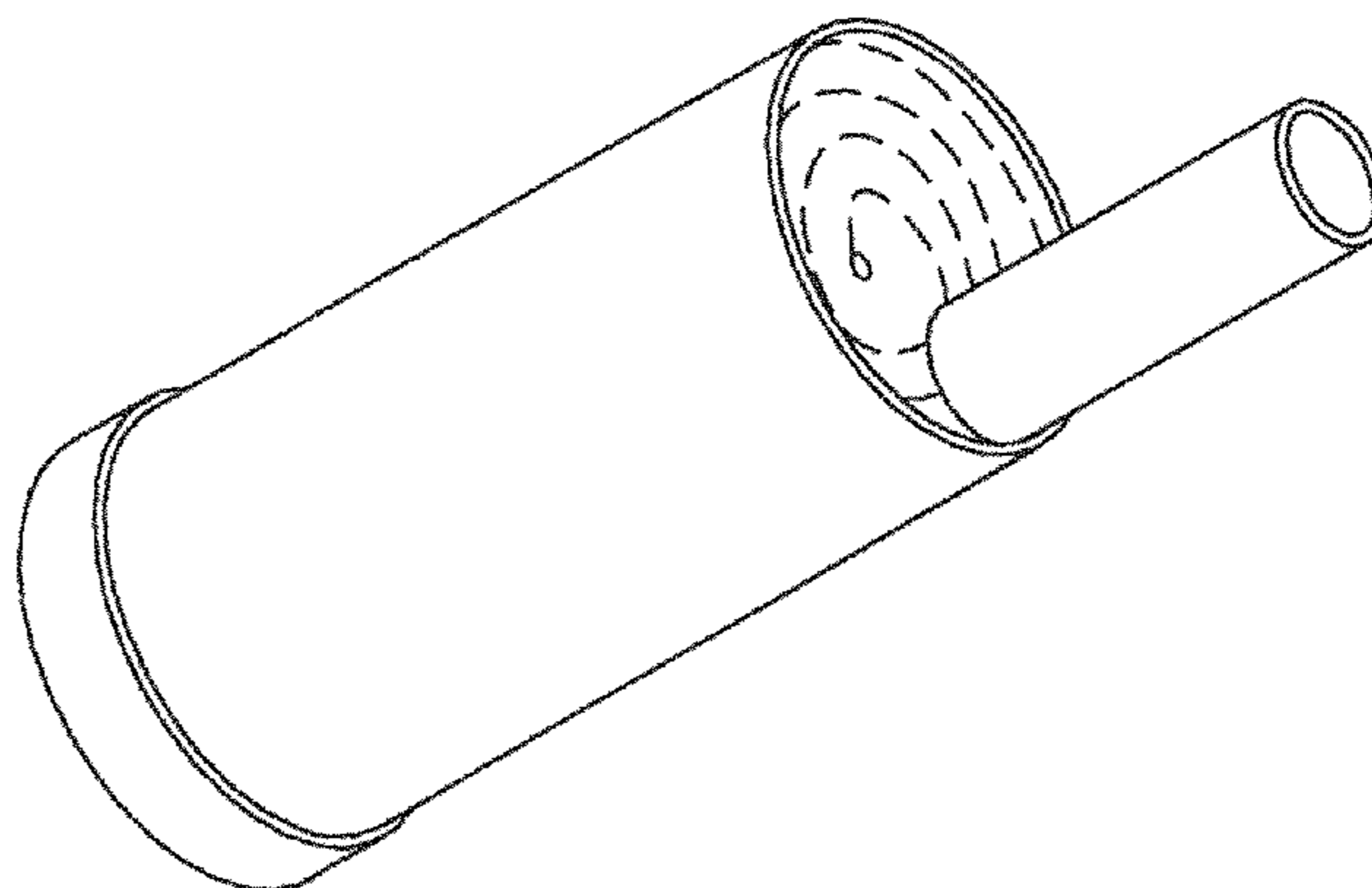
FIG. 7 is a front end view of the motorcycle crankcase ventilation reservoir and dissipater of FIG. 1.

FIG. 8 is a back end view of the motorcycle crankcase ventilation reservoir and dissipater of FIG. 1; and,

FIG. 9 is a side cross section view of the motorcycle crankcase ventilation reservoir and dissipater of FIG. 1 taken along the line 9—9 of FIG. 4.

The features shown in broken lines form no part of the claimed design.

1 Claim, 3 Drawing Sheets



US D633,924 S

Page 2

U.S. PATENT DOCUMENTS

D488,104 S *	4/2004	Triebold	D12/114	7,406,960 B2 *	8/2008	Knauf et al.	123/572
6,772,744 B2 *	8/2004	Nanno et al.	123/572	7,506,629 B2 *	3/2009	Kawamura et al.	123/195 C
6,978,773 B2 *	12/2005	Hunter	123/572	D590,419 S *	4/2009	Duffek et al.	D15/5
7,387,113 B2 *	6/2008	Collins	123/572	D591,106 S *	4/2009	Dominique et al.	D7/507

* cited by examiner

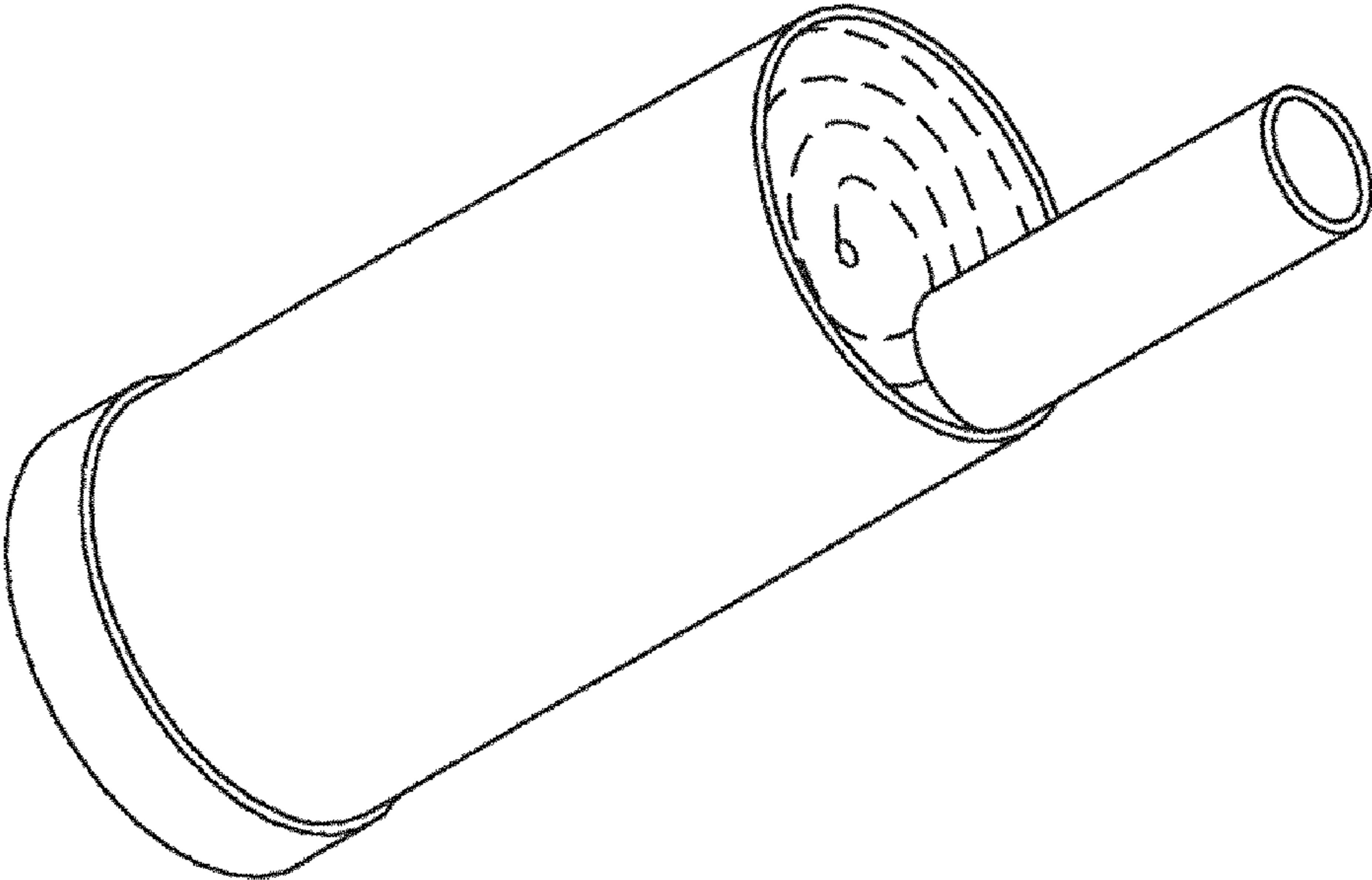


FIG. 1

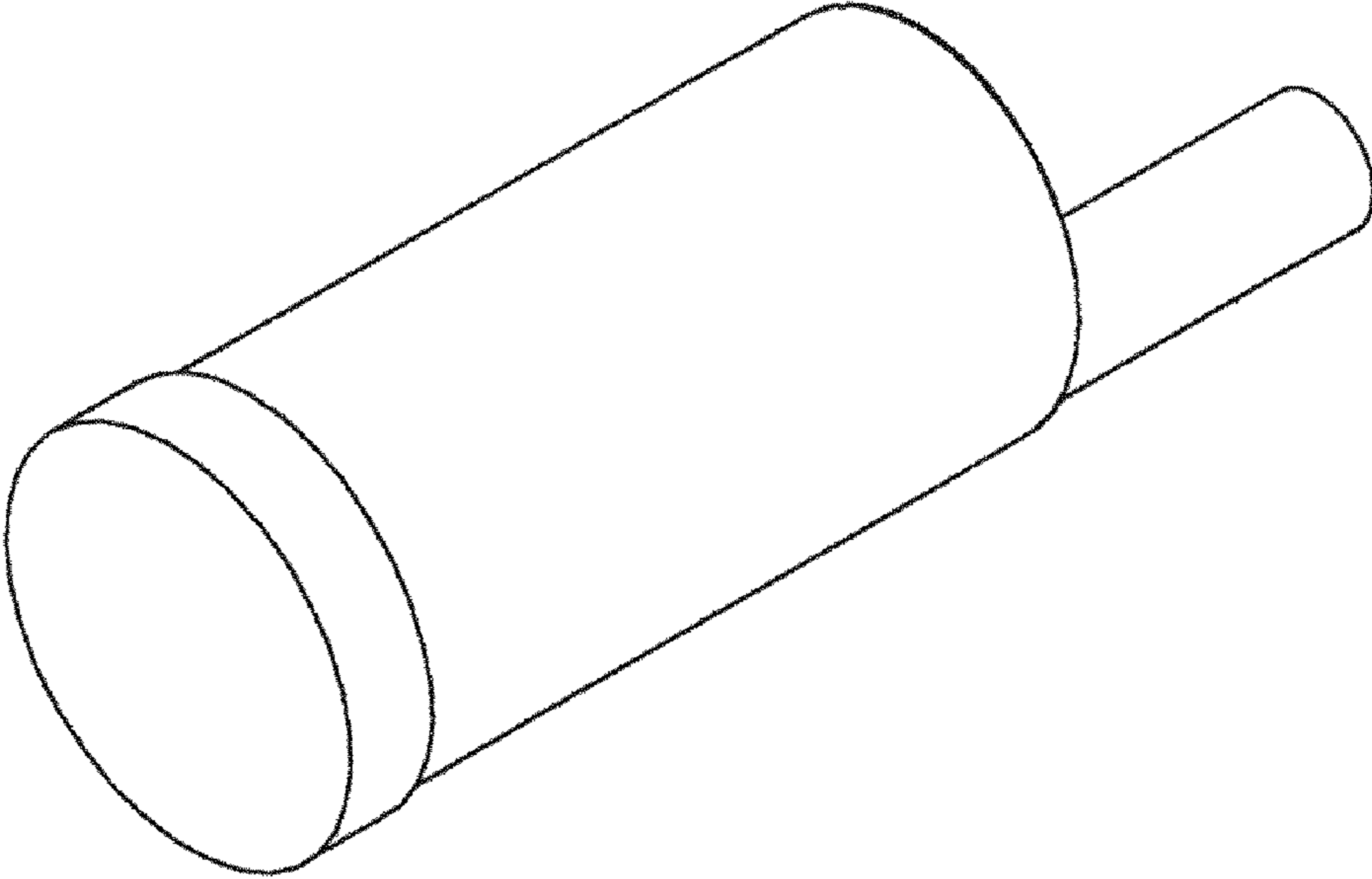


FIG. 2

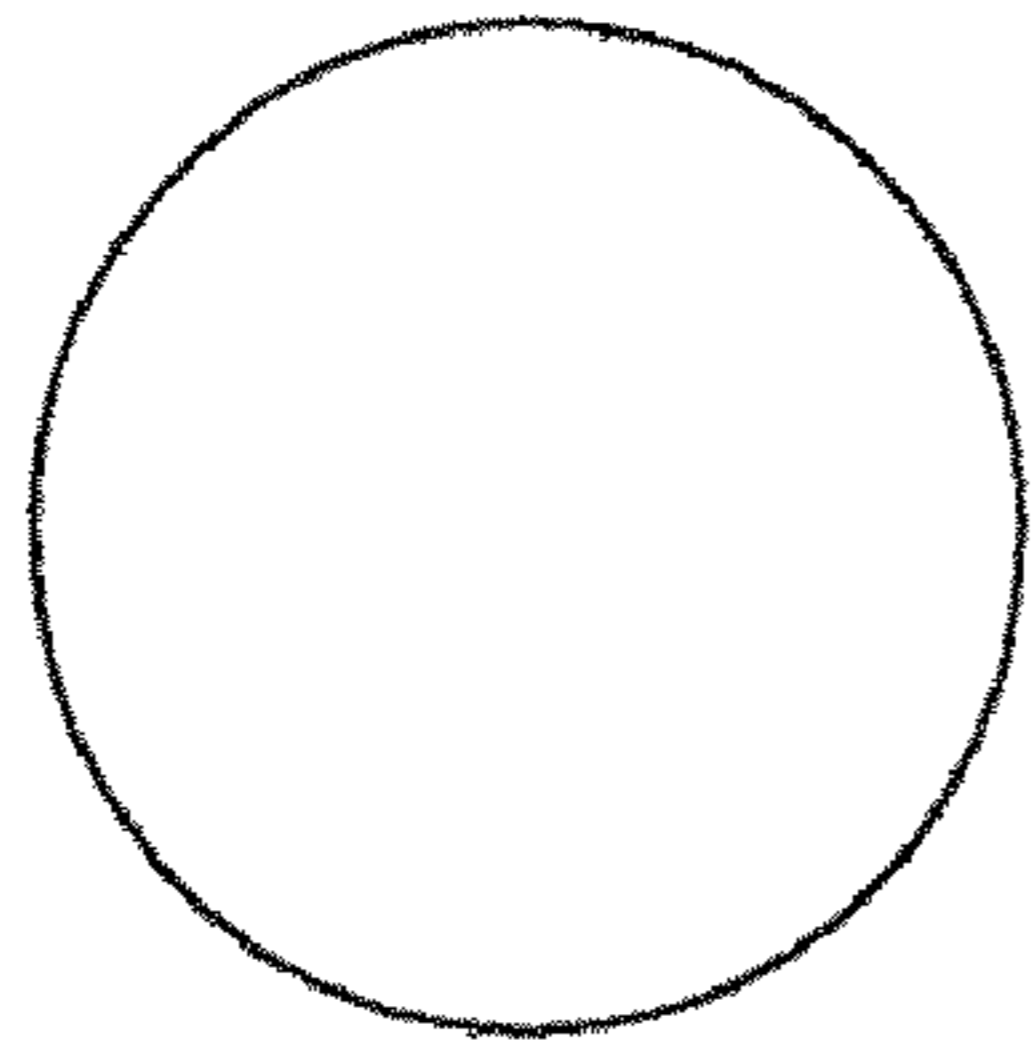


Fig. 3

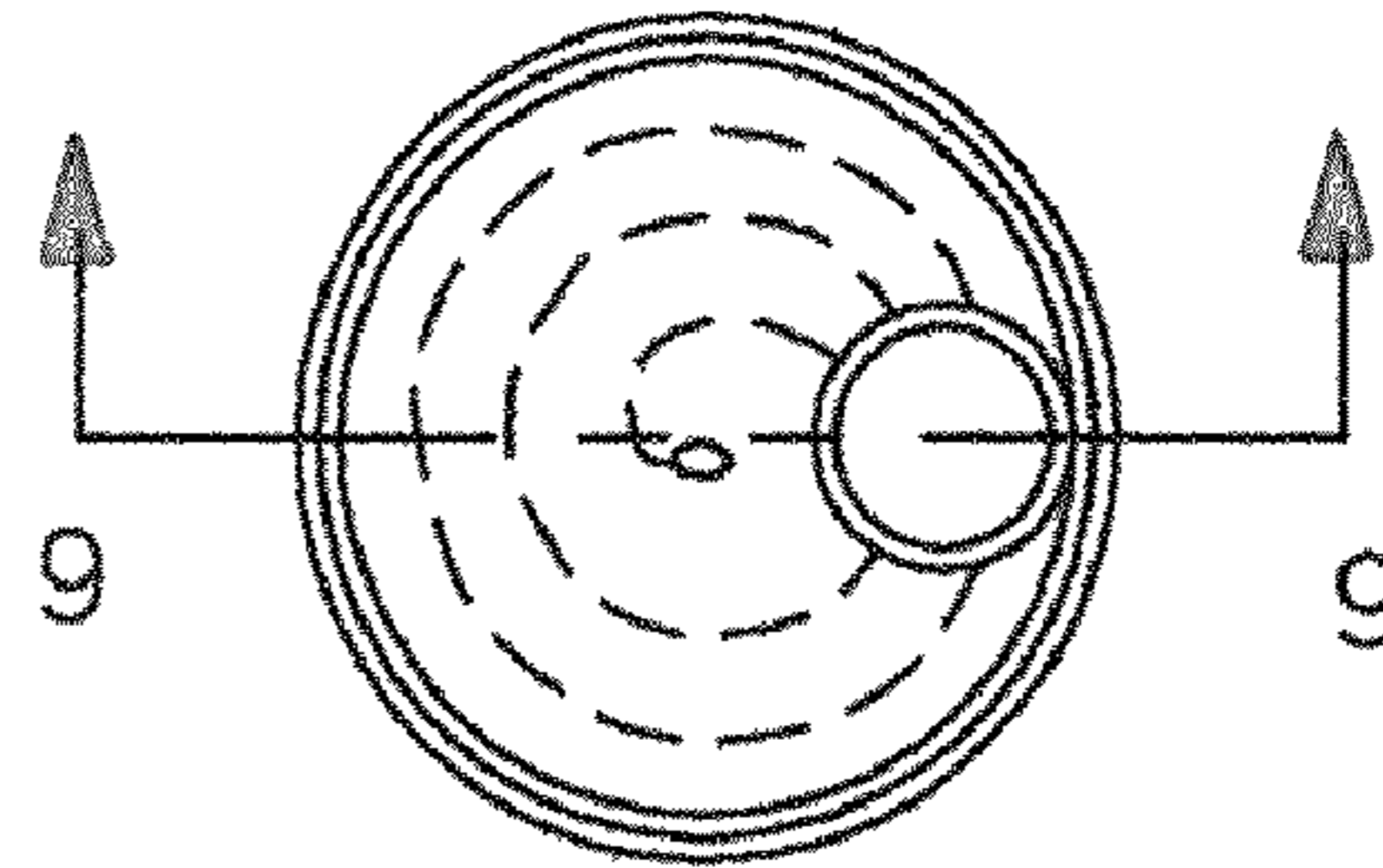


Fig. 4

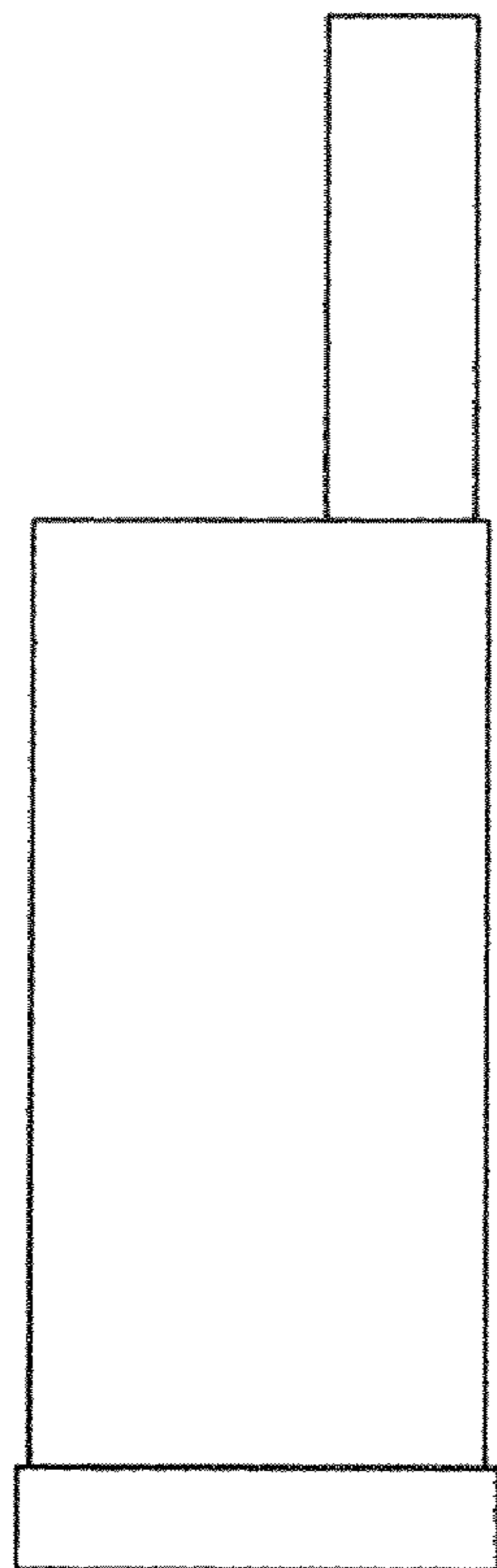


Fig. 5

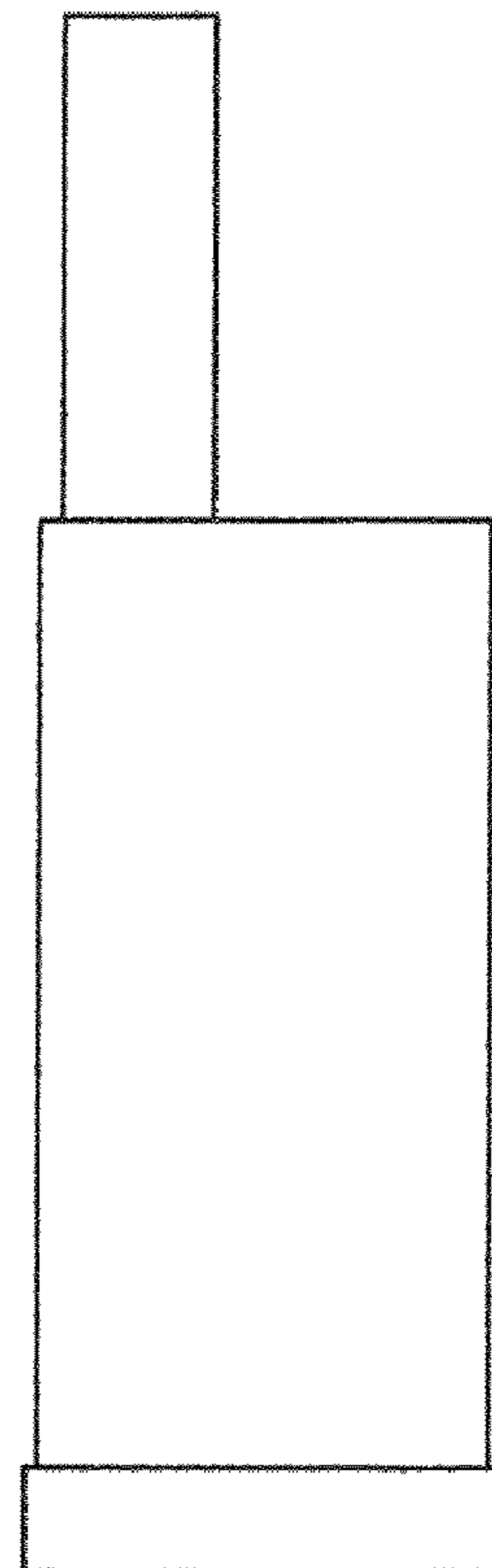


Fig. 6

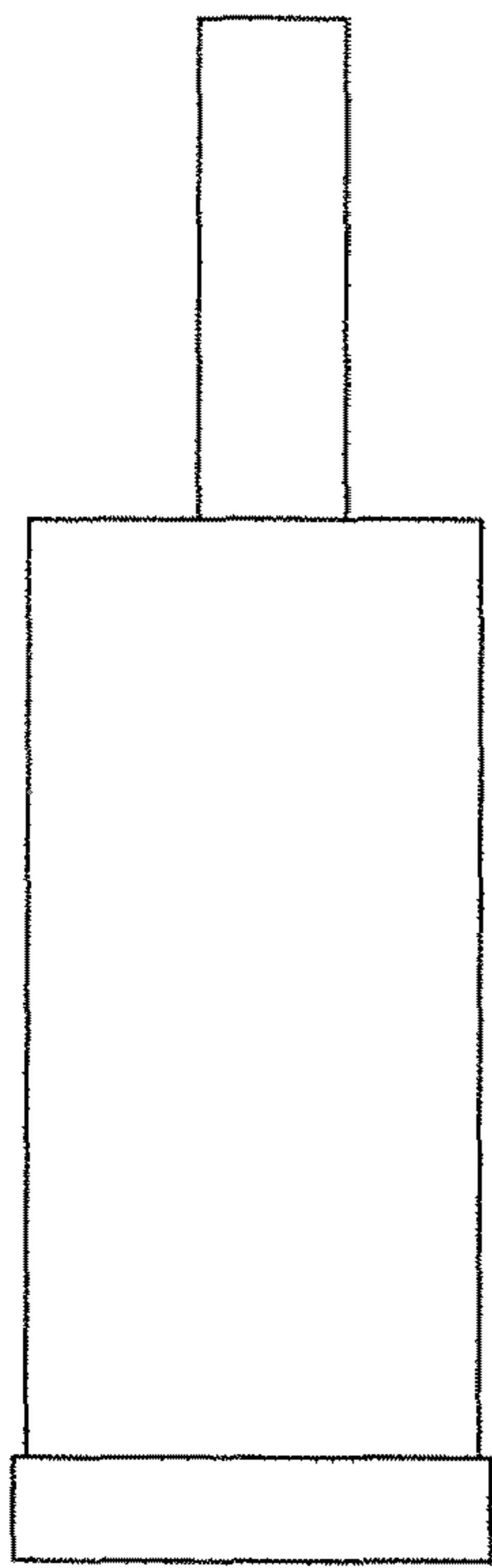


Fig. 7

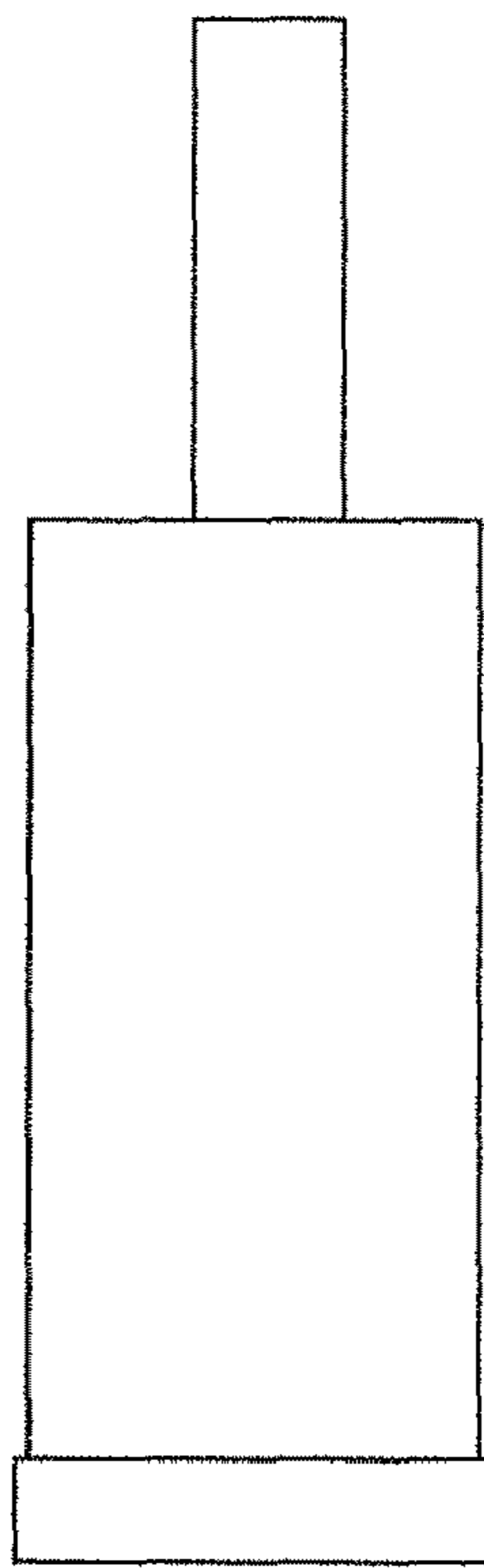


Fig. 8

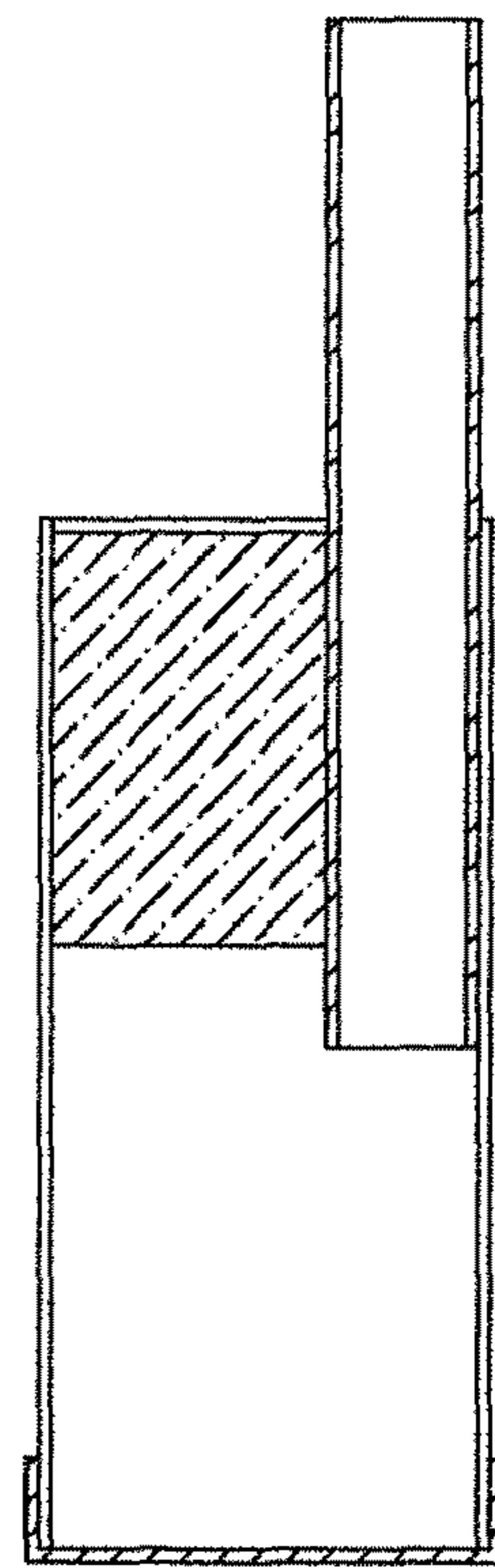


Fig. 9