



US00D633922S

(12) **United States Design Patent**
Shea et al.

(10) **Patent No.:** **US D633,922 S**
(45) **Date of Patent:** **** Mar. 8, 2011**

(54) **METERING VALVE FOR A FUEL CELL**

(75) Inventors: **Maureen L. Shea**, Wilmette, IL (US);
Eric S. Gibson, Round Lake, IL (US);
Robert S. Buetow, Lake in the Hills, IL (US)

(73) Assignee: **Illinois Tool Works Inc.**, Glenview, IL (US)

(**) Term: **14 Years**

(21) Appl. No.: **29/317,155**

(22) Filed: **Apr. 23, 2008**

(51) **LOC (9) Cl.** **15-01**

(52) **U.S. Cl.** **D15/5**

(58) **Field of Classification Search** D15/1-5;
D24/129; D23/235, 245, 248; 55/337; 60/274,
60/199, 324; 23/288 F; 123/41.67, 46 R,
123/198 E, 495; 137/375, 625.46, 637.3;
222/1, 94, 402.1; 251/30.04, 129.02, 129.17,
251/368, 288; 227/9, 10, 130, 156, 402.1,
227/402.15; D26/117

See application file for complete search history.

(56) **References Cited**

U.S. PATENT DOCUMENTS

D130,911 S 12/1941 Meyer
D257,062 S * 9/1980 Swartz et al. D24/129
D309,112 S 7/1990 Ziegler
5,115,944 A 5/1992 Nikolich
D420,462 S * 2/2000 Menter D26/117
D449,872 S 10/2001 Lohde et al.

6,302,297 B1 10/2001 Richardson et al.
6,786,378 B2 * 9/2004 Wagdy et al. 227/9
6,796,478 B2 9/2004 Shkolnikov et al.
7,302,969 B2 * 12/2007 Hasegawa et al. 137/625.46
7,392,922 B2 * 7/2008 Vanstaen et al. 227/10
7,441,560 B2 * 10/2008 Sonoda et al. 137/375
7,481,412 B2 * 1/2009 Ishikawa et al. 251/30.04
7,591,249 B2 * 9/2009 Wagdy et al. 123/495
2003/0127488 A1 * 7/2003 Wagdy 227/9
2005/0230451 A1 * 10/2005 Vanstaen et al. 227/10

* cited by examiner

Primary Examiner—Cynthia M Chin

(74) *Attorney, Agent, or Firm*—Greer, Burns & Crain, Ltd.;
Christopher P. Rauch; Mark W. Croll

(57) **CLAIM**

The ornamental design for a metering valve for a fuel cell, as shown and described.

DESCRIPTION

FIG. 1 is a top perspective view of the present fuel cell metering valve;

FIG. 2 is a front view of same;

FIG. 3 is a right side view of the present metering valve;

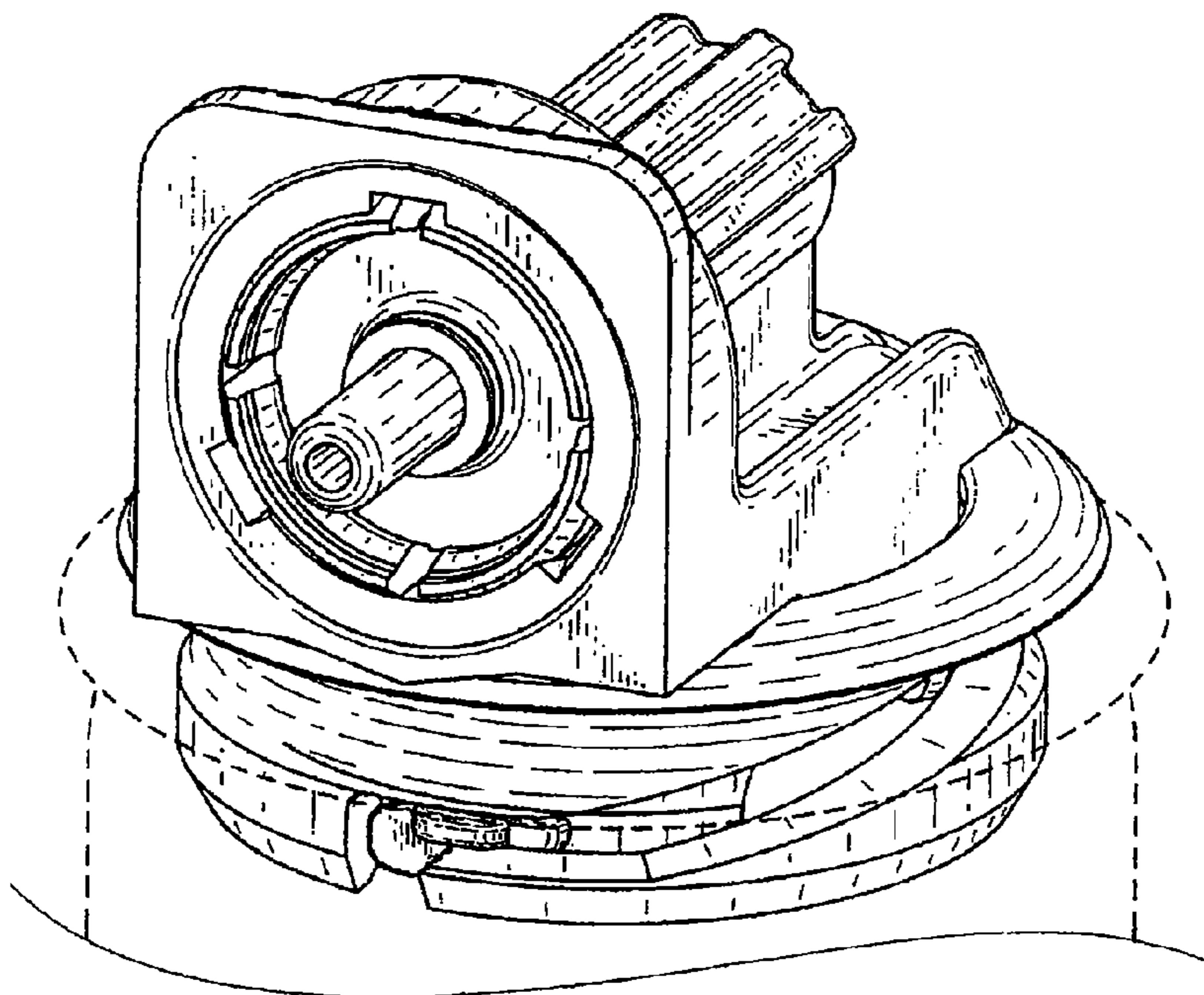
FIG. 4 is a left side view of same;

FIG. 5 is a rear view of the present metering valve; and,

FIG. 6 is a top view of the same.

The subject matter shown in broken lines in the drawings is submitted for environment purposes only and does not form part of the claimed invention.

1 Claim, 4 Drawing Sheets



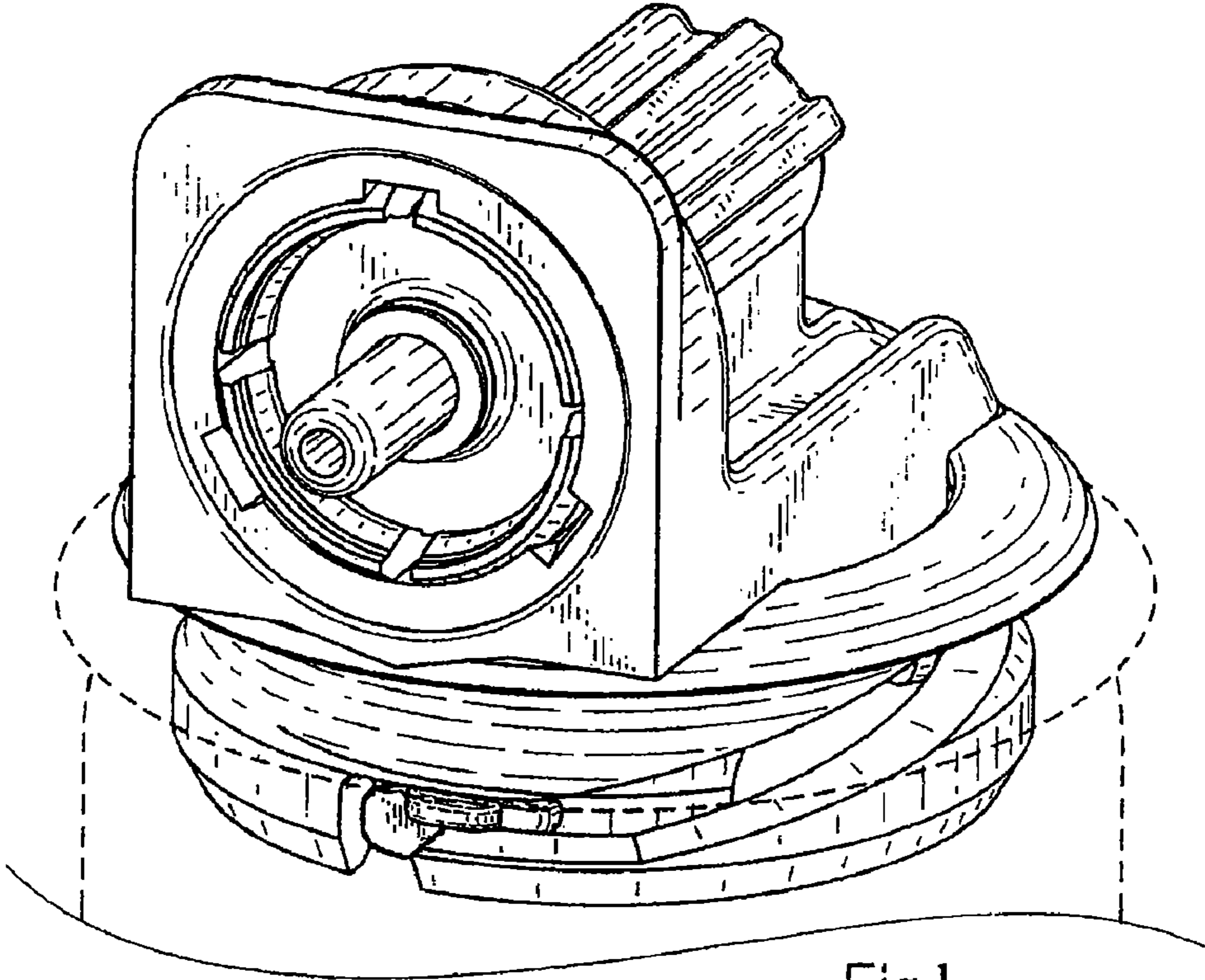


Fig.1

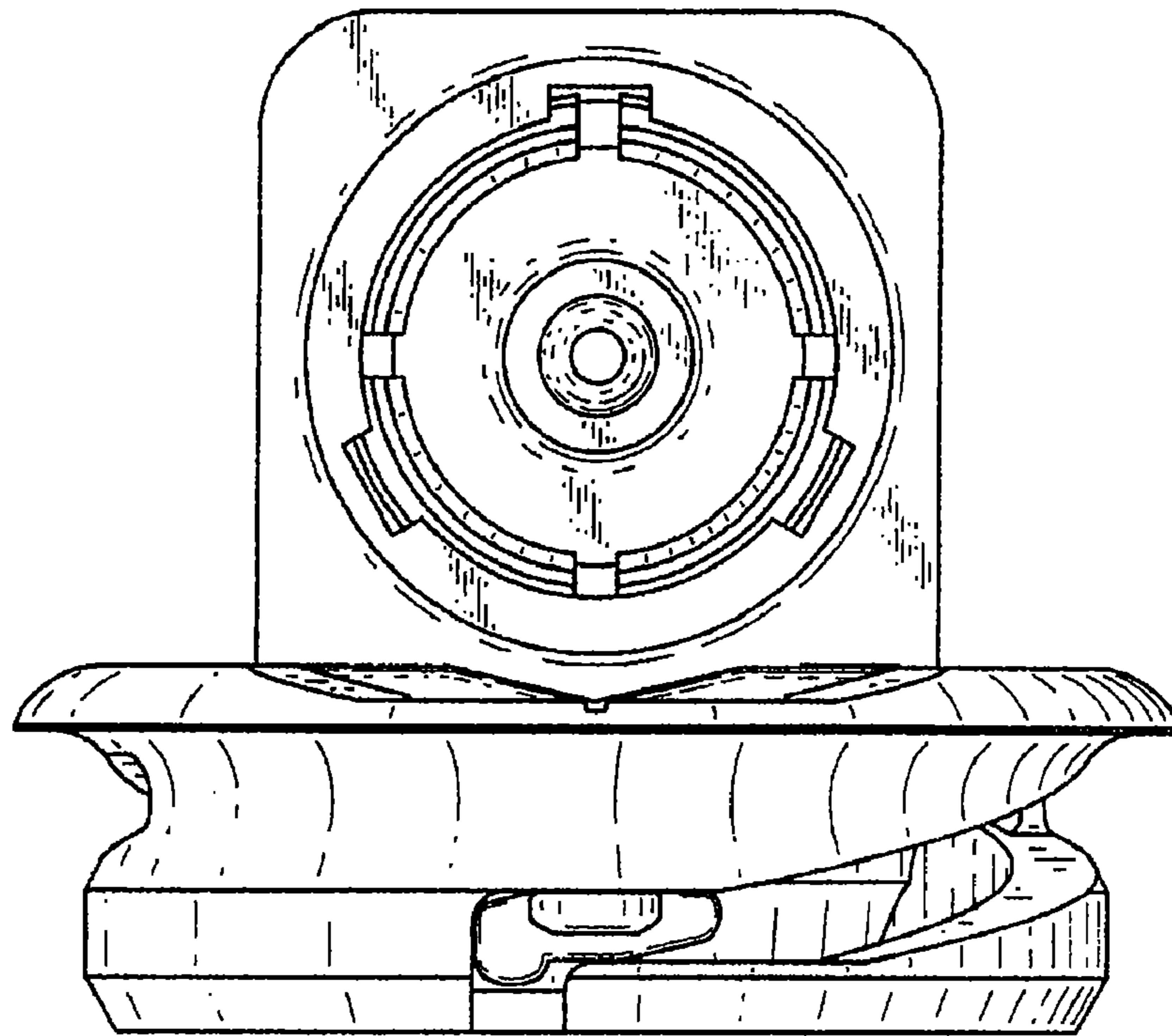


Fig. 2

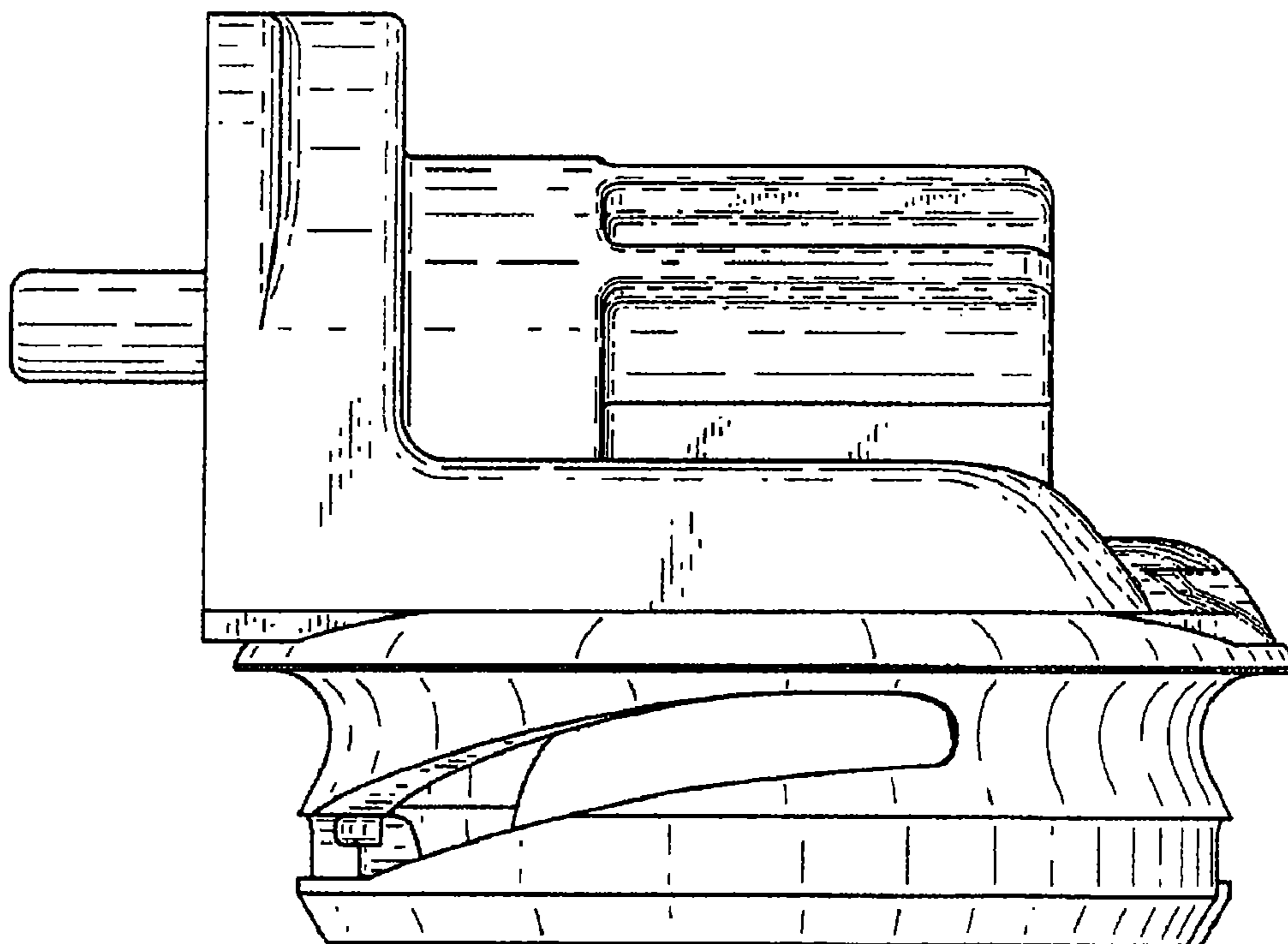


Fig. 3

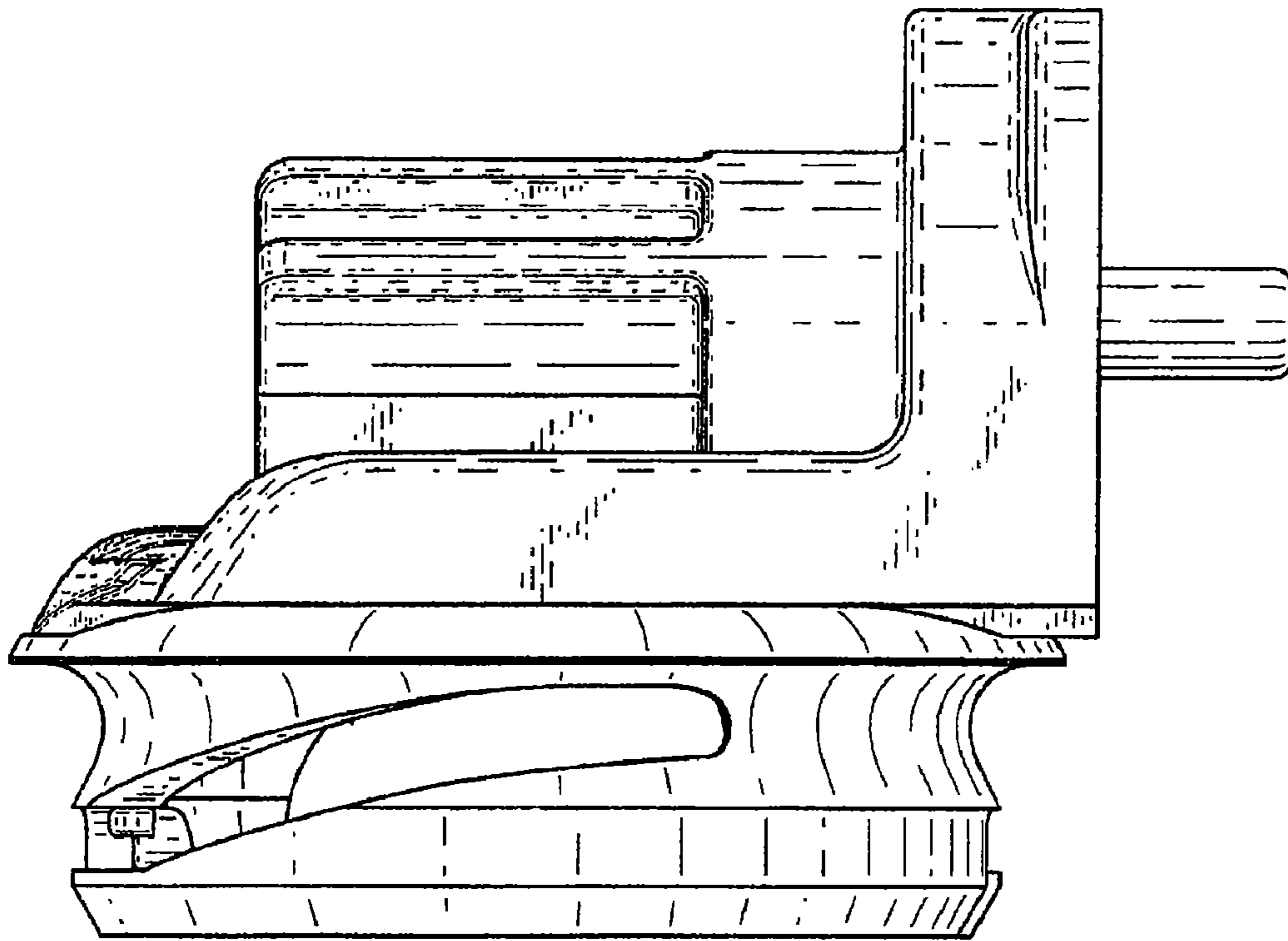


Fig. 4

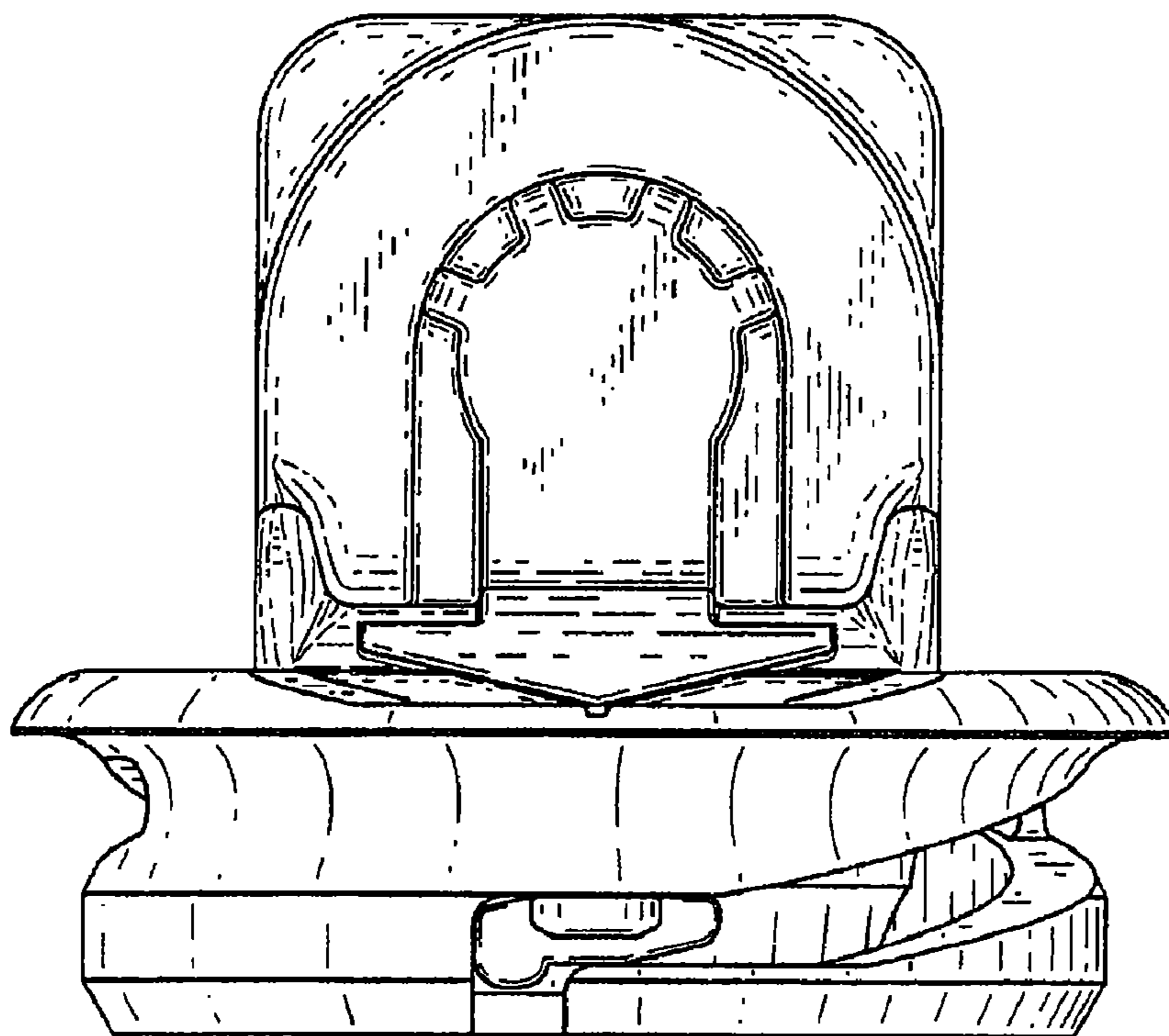


Fig. 5

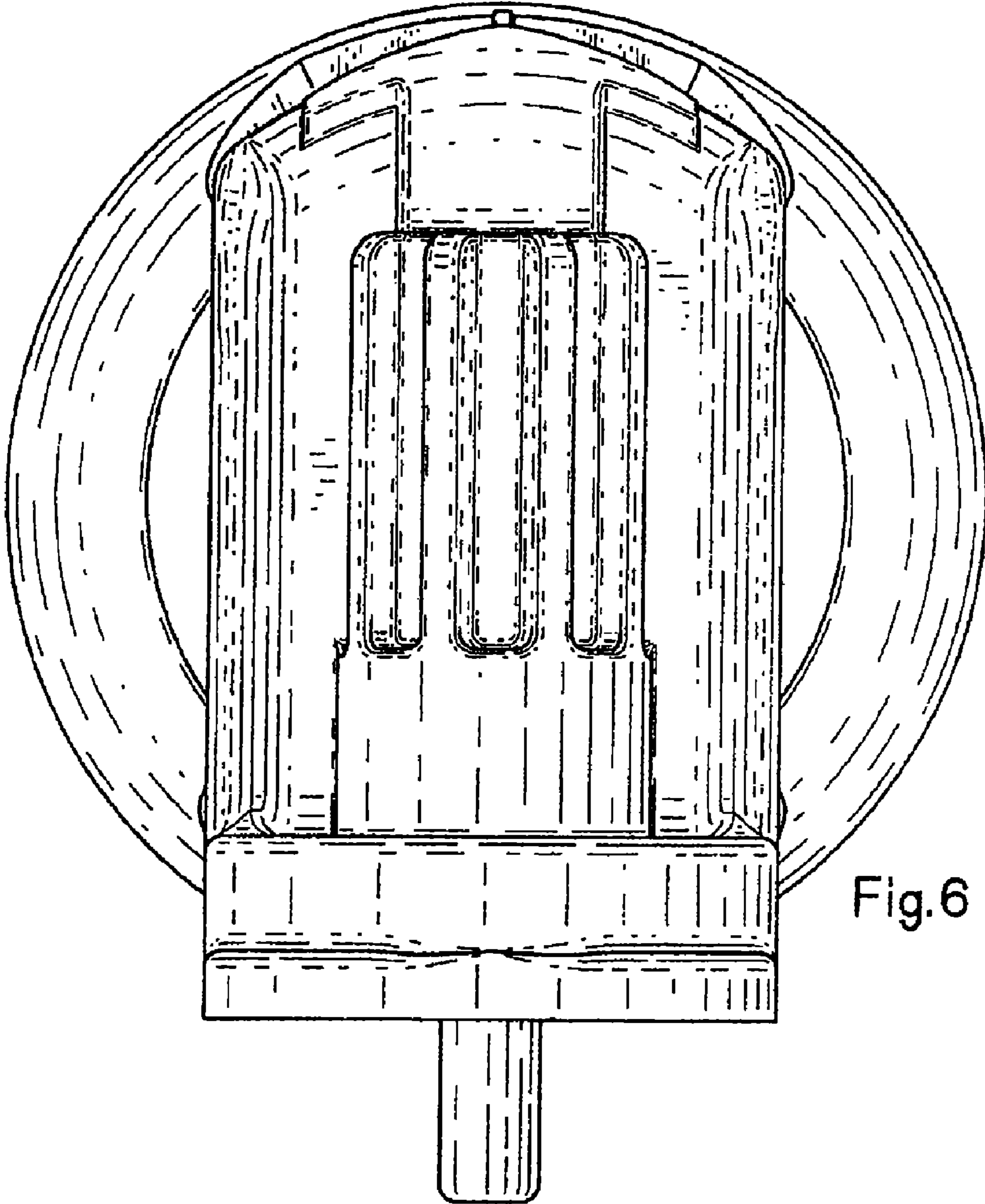


Fig. 6