

US00D633916S

(12) **United States Design Patent**
Taatjes et al.

(10) **Patent No.:** **US D633,916 S**
(45) **Date of Patent:** **** Mar. 8, 2011**

(54) **FILAMENT SPOOL CONTAINER**

(75) Inventors: **Thomas L. Taatjes**, Eden Prairie, MN (US); **Patrick W. Turley**, Eden Prairie, MN (US); **Martin G. Zalusky**, Bloomington, MN (US)

(73) Assignee: **Stratasys, Inc.**, Eden Prairie, MN (US)

(**) Term: **14 Years**

(21) Appl. No.: **29/351,229**

(22) Filed: **Dec. 2, 2009**

Related U.S. Application Data

(60) Continuation of application No. 29/340,132, filed on Jul. 14, 2009, now Pat. No. Des. 606,998, which is a division of application No. 29/326,638, filed on Oct. 22, 2008, now Pat. No. Des. 598,922.

(51) **LOC (9) Cl.** **14-99**

(52) **U.S. Cl.** **D14/475**

(58) **Field of Classification Search** D14/161, D14/484, 475, 496; D8/358, 359, 356, 308; D22/137, 140; D12/206; D3/24; 242/118.7, 242/159, 476.6, 608.8, 614.1; 206/412; 137/355.27; 254/213

See application file for complete search history.

(56) **References Cited**

U.S. PATENT DOCUMENTS

D224,683 S	8/1972	Wada et al.	D14/475
D228,789 S	10/1973	Koni	D14/475
D230,991 S	3/1974	Katto et al.	D14/475
D260,514 S	9/1981	Gell	D14/475
D276,527 S	11/1984	Flanigan	D14/435
D282,357 S	1/1986	Gell	D14/475
5,121,329 A	6/1992	Crump	364/468
D346,379 S	4/1994	Patel et al.	D14/475
5,340,433 A	8/1994	Crump	156/578
5,503,785 A	4/1996	Crump et al.	264/40.7
D381,645 S	7/1997	Johnson	D14/475

5,939,008 A	8/1999	Comb et al.	264/308
5,968,561 A	10/1999	Batchelder et al.	425/375
6,022,207 A	2/2000	Dahlin et al.	425/145
6,070,107 A	5/2000	Lombardi et al.	700/119
6,085,957 A	7/2000	Zinniel et al.	226/8
D436,021 S	1/2001	Arnold		
D436,111 S	1/2001	Hahn et al.	D14/475
6,228,923 B1	5/2001	Lombardi et al.	524/425
D470,498 S	2/2003	Argumedo et al.	D14/435
D474,191 S	5/2003	Nakayama	D14/475
6,685,866 B2	2/2004	Swanson et al.	264/308
6,722,872 B1	4/2004	Swanson et al.	425/225
6,776,602 B2	8/2004	Swanson et al.	425/376.1
6,790,403 B1	9/2004	Priedeman, Jr. et al.	264/442

(Continued)

Primary Examiner—Stella M Reid

Assistant Examiner—Keli L Hill

(74) *Attorney, Agent, or Firm*—Brian R. Morrison; Westman, Champlin & Kelly, P.A.

(57) **CLAIM**

The ornamental design for a filament spool container, as shown and described.

DESCRIPTION

FIG. 1 is a top front perspective view of a filament spool container;

FIG. 2 is a bottom front perspective view thereof;

FIG. 3 is a top view thereof;

FIG. 4 is a bottom view thereof;

FIG. 5 is a front view thereof;

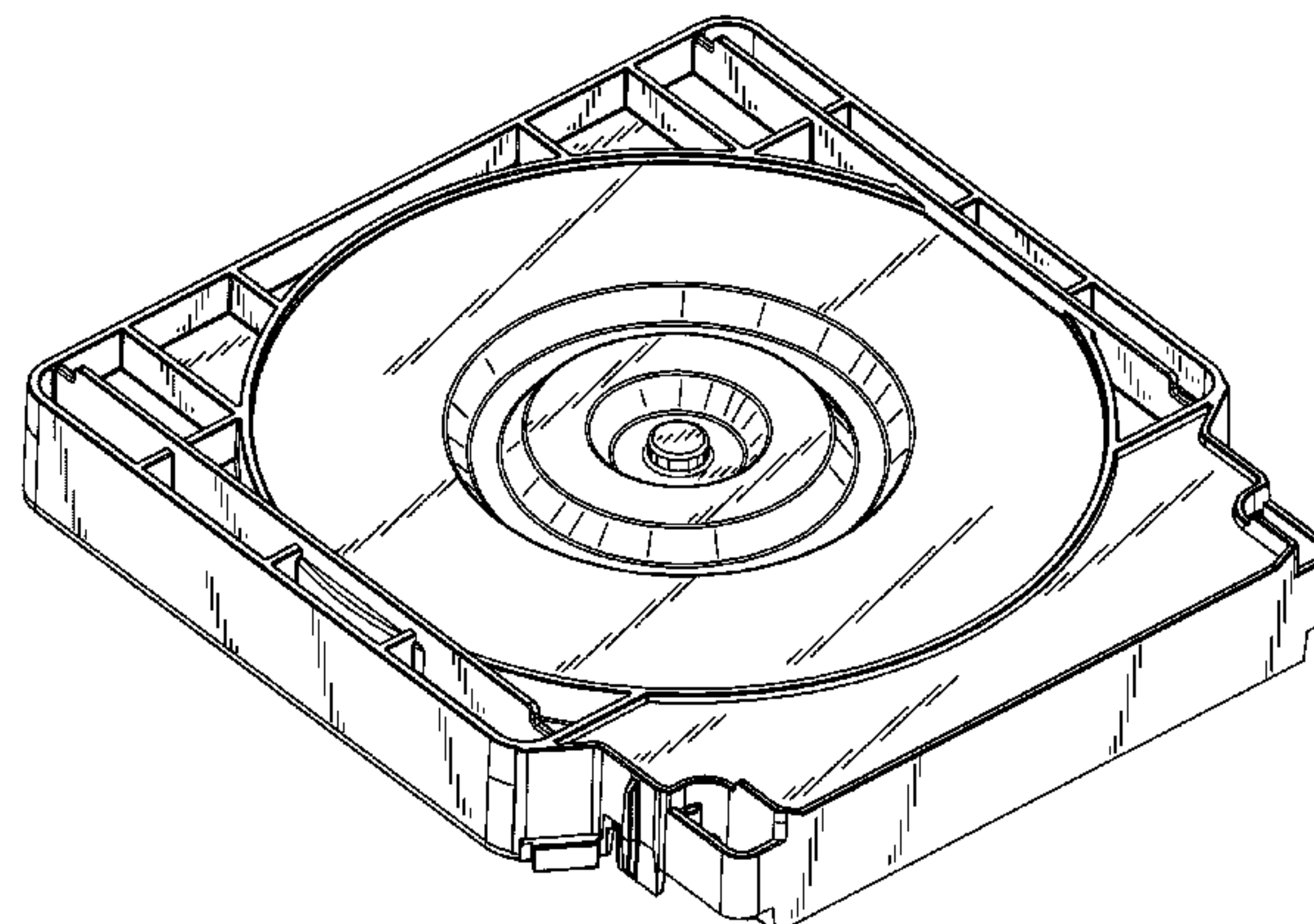
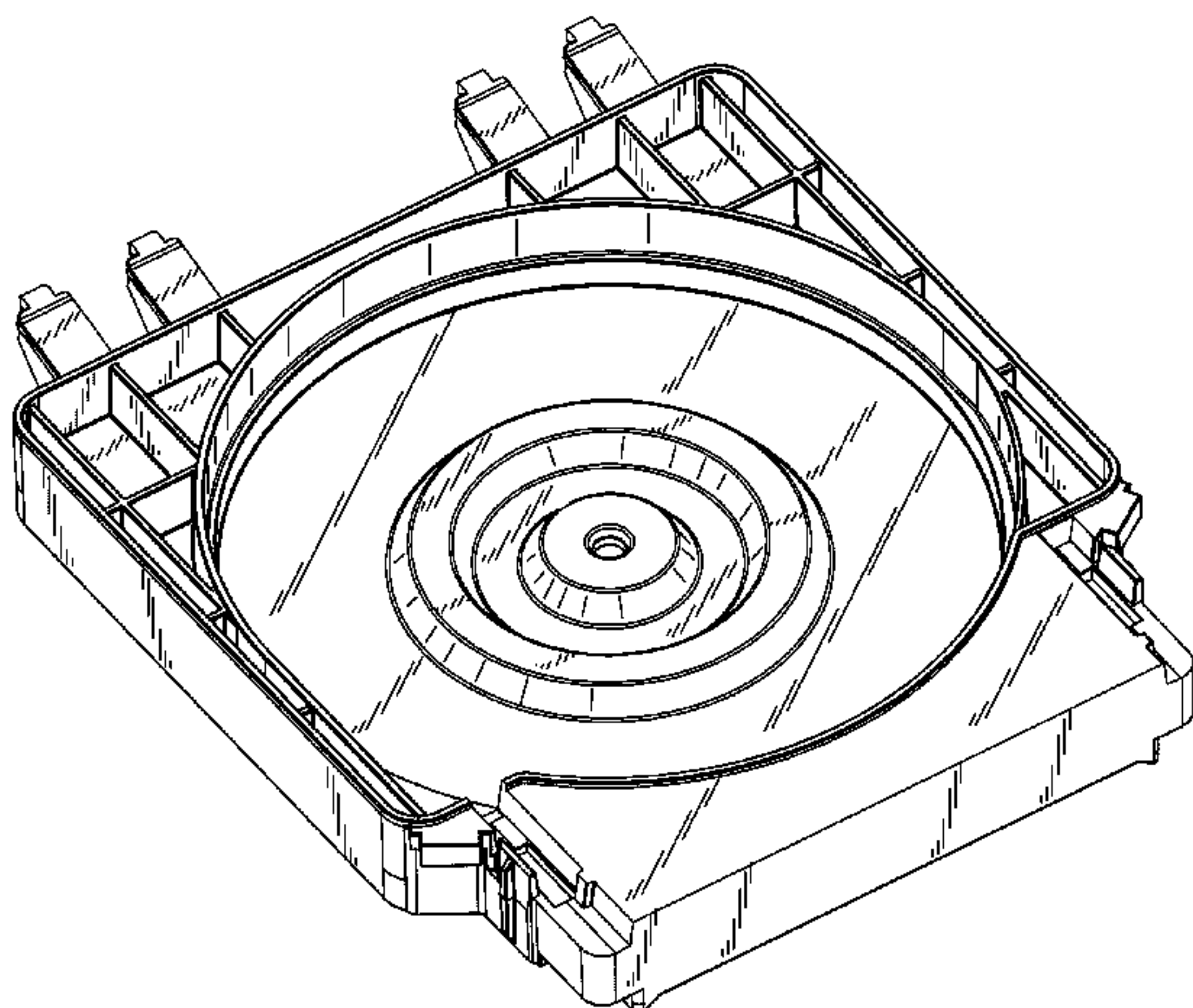
FIG. 6 is a rear view thereof;

FIG. 7 is a left side view thereof; and,

FIG. 8 is a right side view thereof.

Features illustrated with dashed lines are not considered features of the invention being claimed, but rather illustrate an exemplary environment for the claimed features illustrated with solid lines.

1 Claim, 6 Drawing Sheets



US D633,916 S

Page 2

U.S. PATENT DOCUMENTS

D504,307 S	4/2005	Dayan		7,571,872 B2 *	8/2009	Shiga	242/348
7,063,285 B1	6/2006	Turley et al.	D606,845 S	12/2009	Taatjes et al.		
7,066,425 B2	6/2006	Cornier et al.		D606,998 S *	12/2009	Taatjes et al.	D14/475
7,169,337 B2	1/2007	Swanson et al.	2004/0129823 A1	7/2004	Swanson et al.	242/563
7,341,214 B2	3/2008	Taatjes et al.	2007/0228590 A1	10/2007	LaBossiere et al.	264/40.1
7,384,255 B2	6/2008	LaBossiere et al.	2009/0050732 A1 *	2/2009	Ishikawa	242/608.8
D598,922 S *	8/2009	Taatjes et al.	2010/0096485 A1 *	4/2010	Taatjes et al.	242/171

* cited by examiner

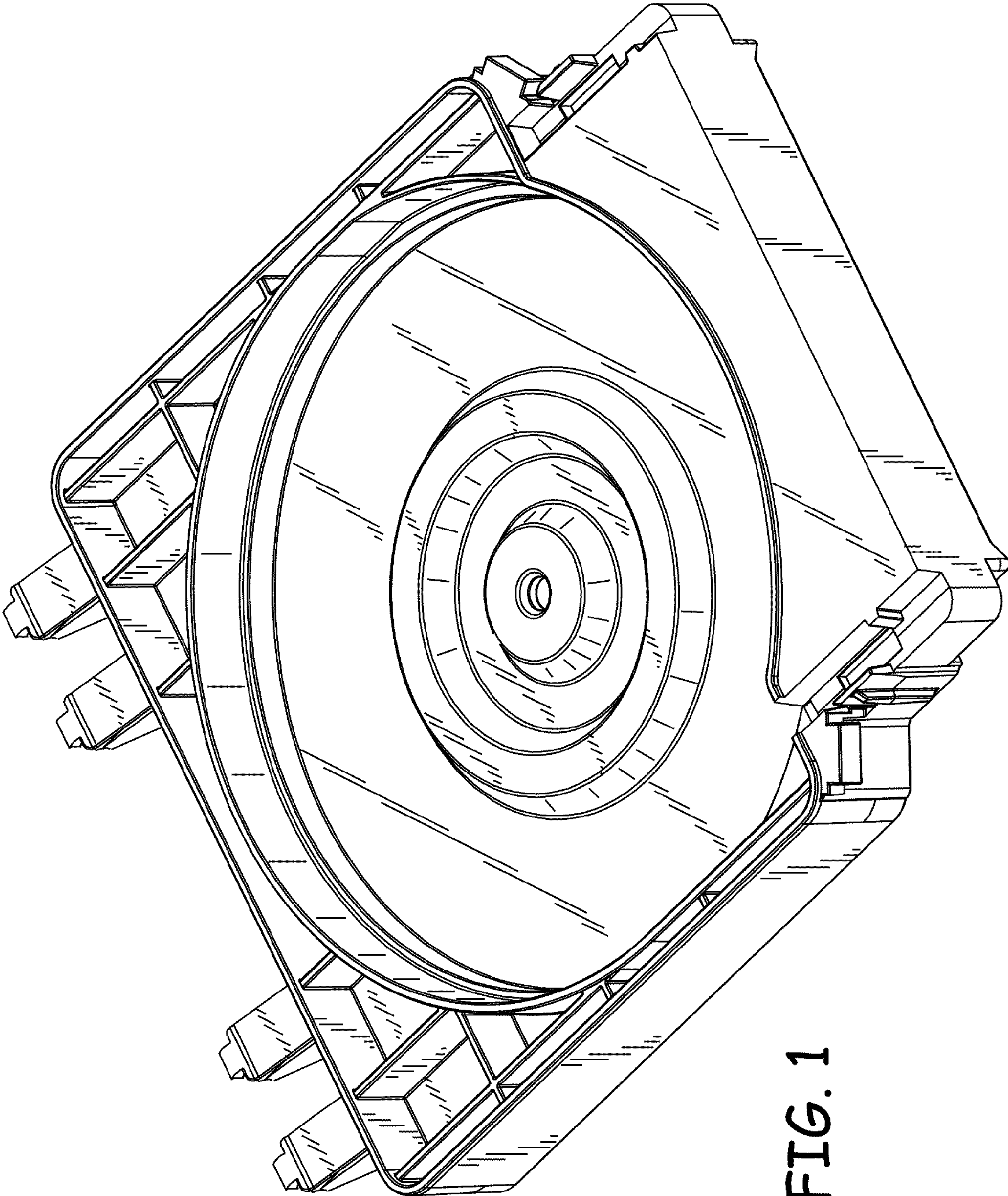


FIG. 1

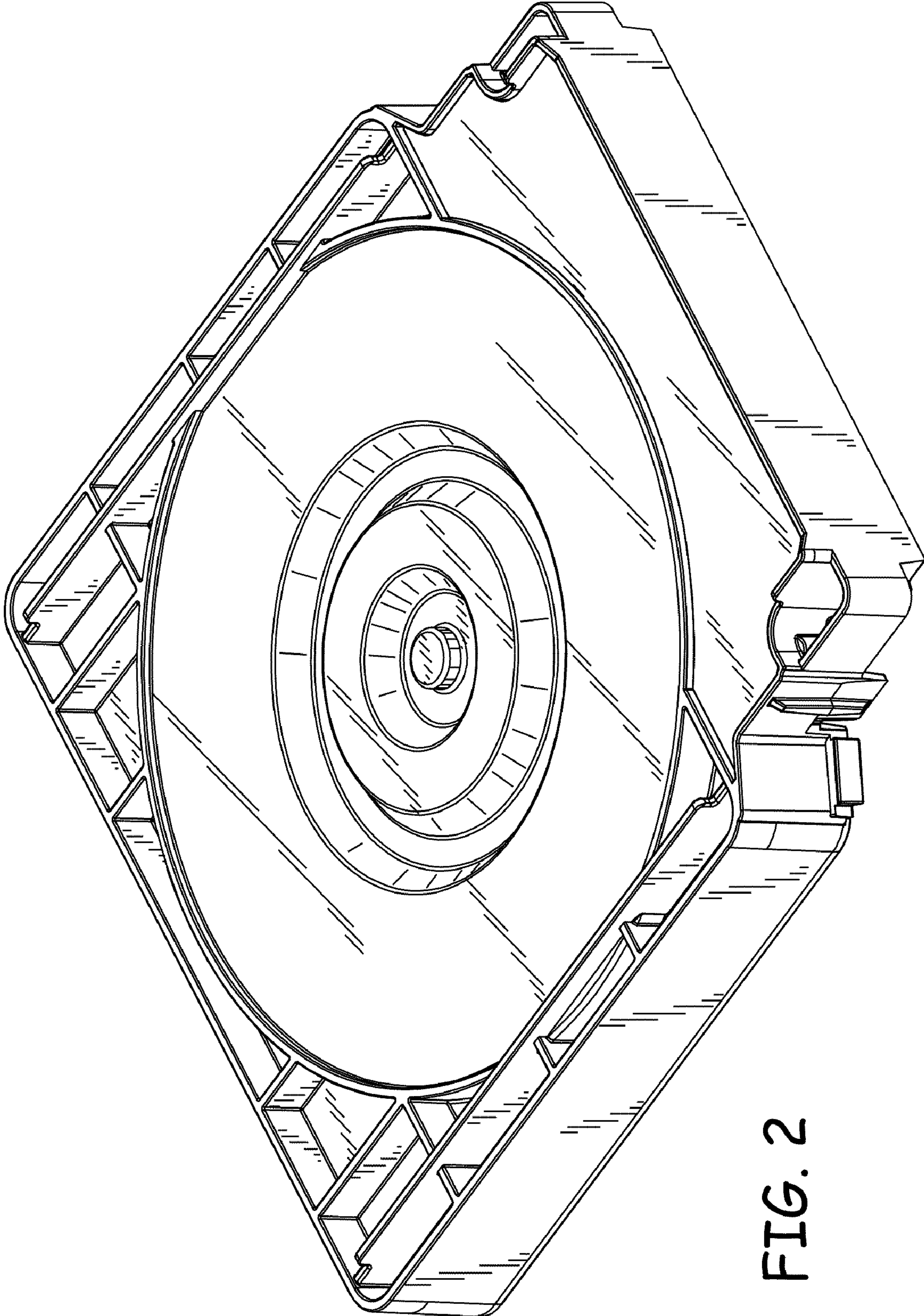


FIG. 2

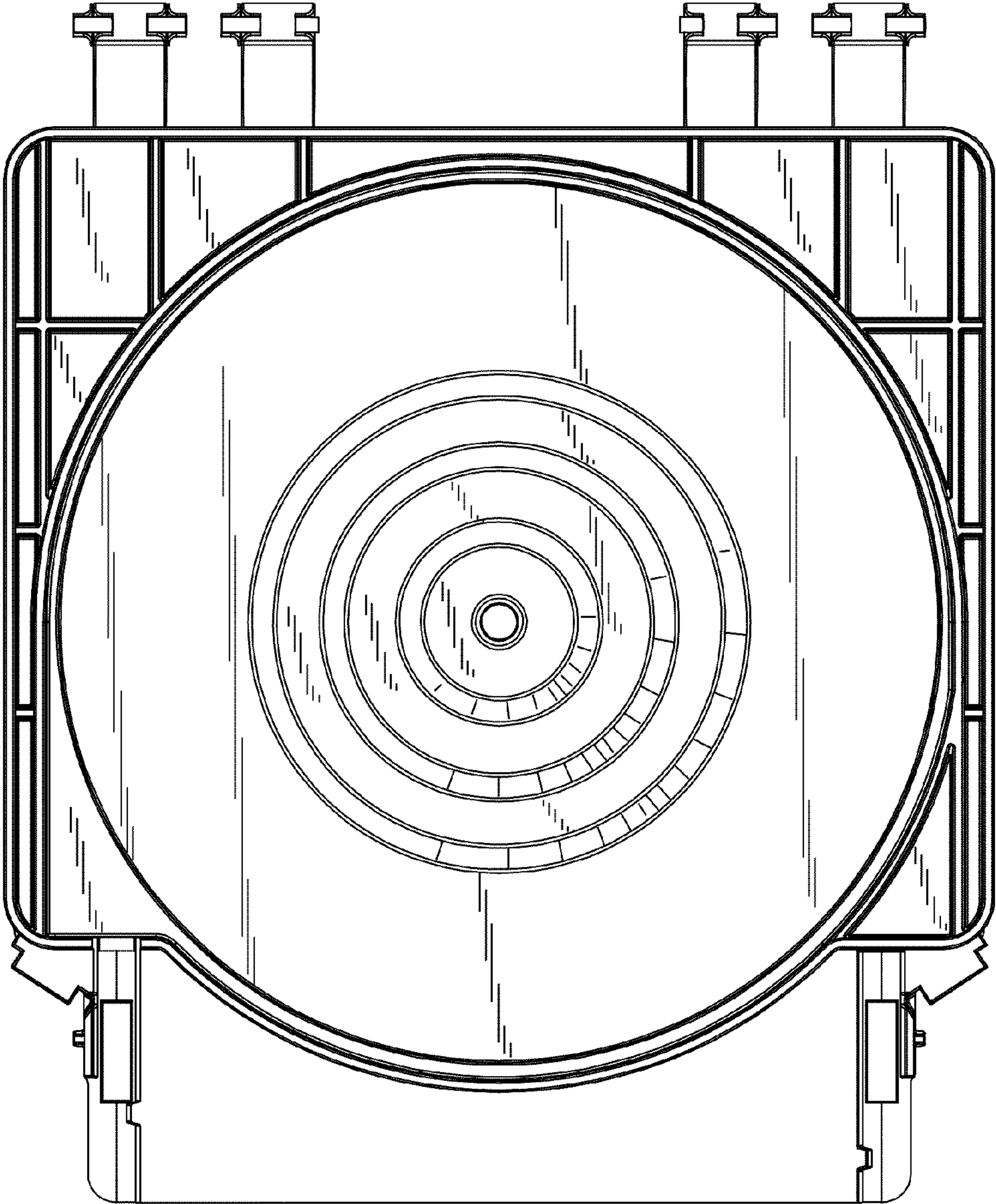


FIG. 3

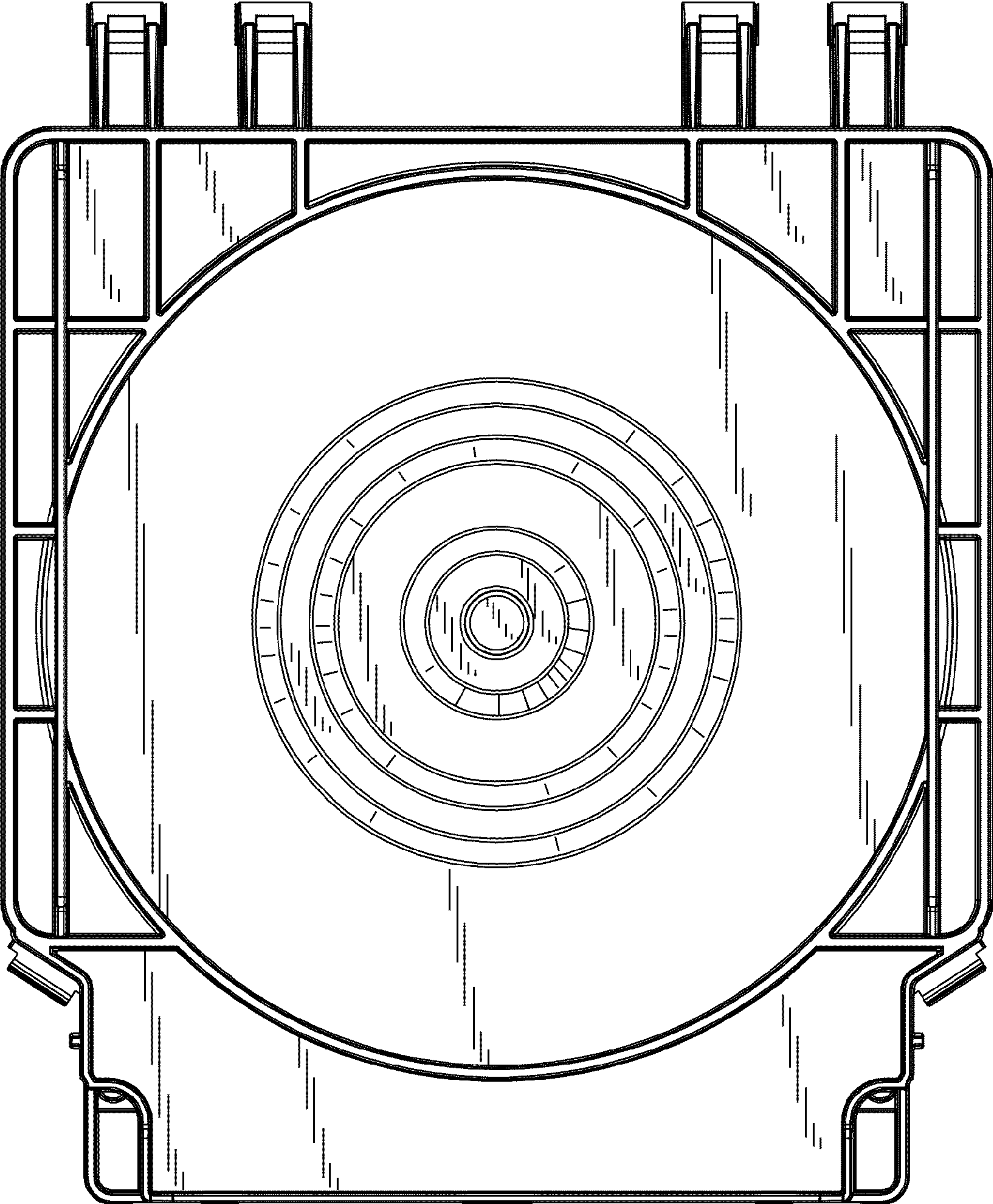


FIG. 4

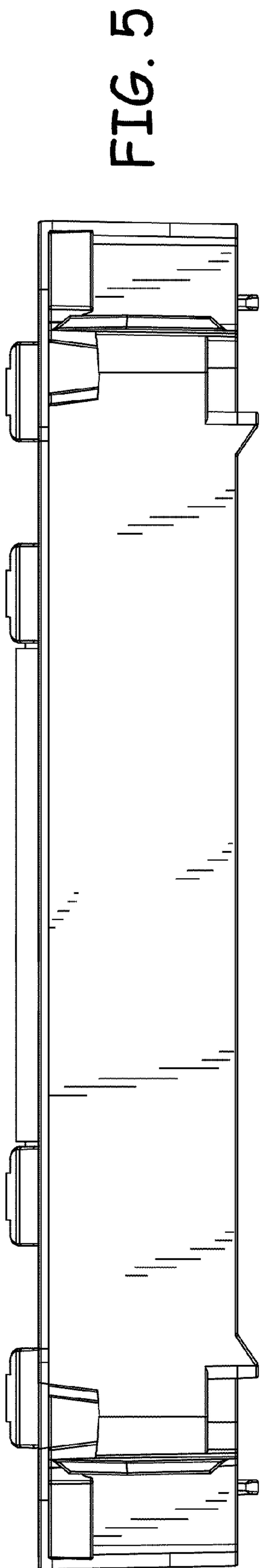


FIG. 5

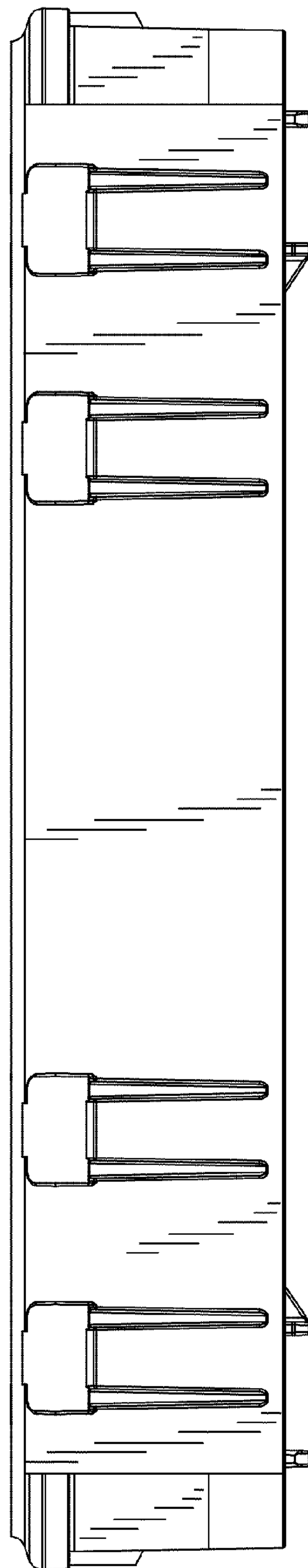


FIG. 6

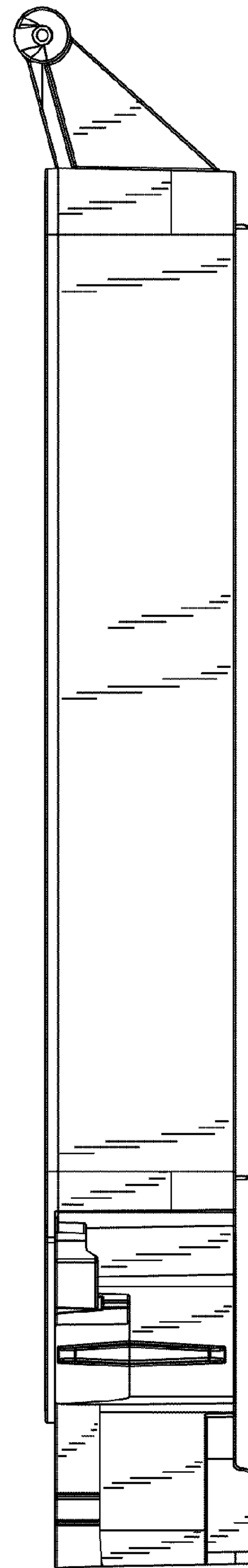
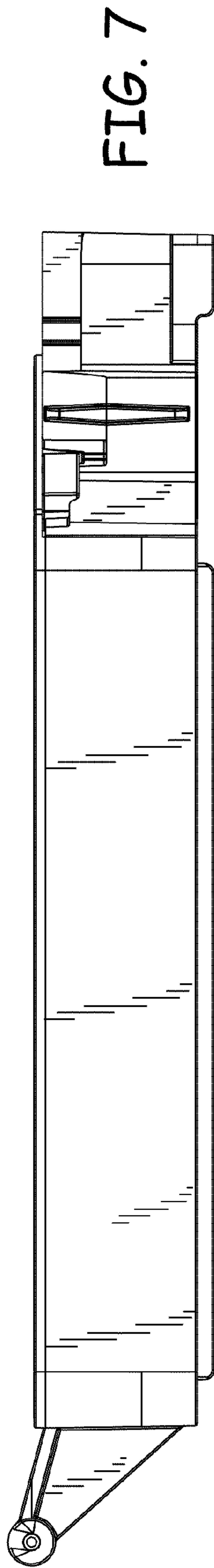


FIG. 8

UNITED STATES PATENT AND TRADEMARK OFFICE
CERTIFICATE OF CORRECTION

PATENT NO. : D633,916 S
APPLICATION NO. : 29/351229
DATED : March 8, 2011
INVENTOR(S) : Thomas L. Taatjes et al.

Page 1 of 1

It is certified that error appears in the above-identified patent and that said Letters Patent is hereby corrected as shown below:

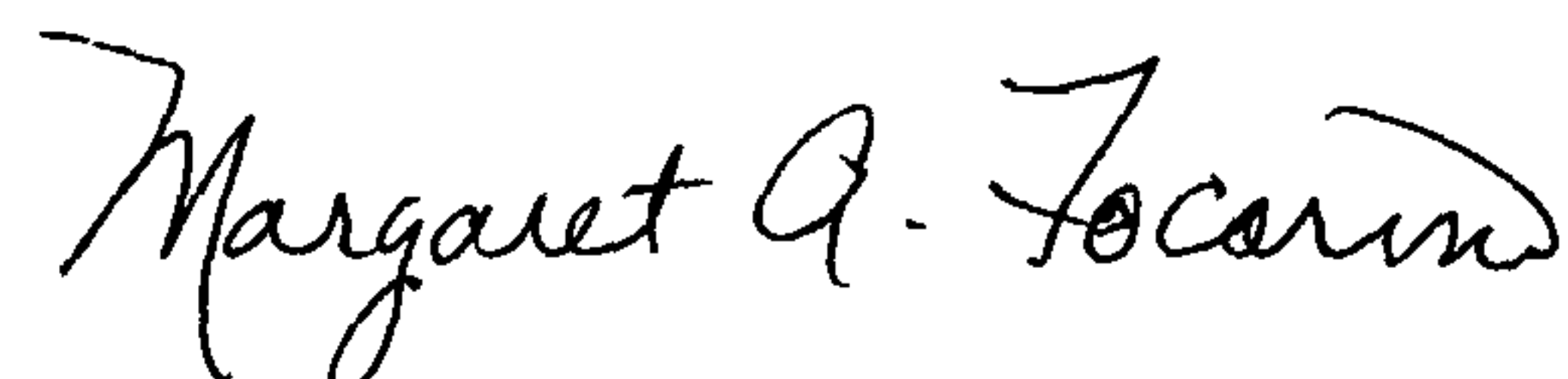
Title page:

Item (57),

CLAIM, line 1, after "container", delete " ,"

DESCRIPTION, line 8, after "and", delete " ,"

Signed and Sealed this
Seventeenth Day of December, 2013



Margaret A. Focarino
Commissioner for Patents of the United States Patent and Trademark Office