



US00D633899S

(12) **United States Design Patent**  
**Zheng et al.**

(10) **Patent No.:** **US D633,899 S**

(45) **Date of Patent:** **\*\* Mar. 8, 2011**

(54) **EARPHONE**

(75) Inventors: **Qi Zheng**, Tokyo (JP); **Rui Morisawa**, Tokyo (JP)

(73) Assignee: **Sony Corporation**, Tokyo (JP)

(\*\*) Term: **14 Years**

(21) Appl. No.: **29/347,605**

(22) Filed: **Mar. 12, 2010**

(30) **Foreign Application Priority Data**

Nov. 6, 2009 (JP) ..... D2009-026023

(51) **LOC (9) Cl.** ..... **14-01**

(52) **U.S. Cl.** ..... **D14/223**

(58) **Field of Classification Search** ..... D14/205,  
D14/206, 223, 192, 188; 379/430, 431, 433.01,  
379/420.02; 181/129, 130, 131; 381/370,  
381/375, 376, 374, 377, 378, 379, 380, 381;  
D8/395; D3/12, 207, 208, 211, 215; D9/434;  
D6/328; D7/642, 653, 648; 30/324; 24/3.1,  
24/3.6; D19/56, 65  
See application file for complete search history.

(56) **References Cited**

**U.S. PATENT DOCUMENTS**

D48,610 S \* 2/1916 Rourk ..... D3/207  
D126,199 S \* 4/1941 Daniels ..... D3/207  
2,320,067 A \* 5/1943 Caughren ..... 224/248  
D179,150 S \* 11/1956 Norris ..... D14/192  
D185,740 S \* 7/1959 Criswell ..... D24/174  
D274,839 S \* 7/1984 Libby ..... D24/174  
5,201,007 A \* 4/1993 Ward et al. .... 381/328  
D385,788 S \* 11/1997 Risser ..... D9/434  
D443,261 S 6/2001 Yuyama  
D447,947 S \* 9/2001 Nakagawa ..... D9/434  
D477,592 S 7/2003 Komiyama  
D477,593 S 7/2003 Komiyama  
D477,822 S 7/2003 Komiyama  
D482,022 S 11/2003 Nakano

D495,684 S 9/2004 Hirano  
D495,685 S 9/2004 Hirano  
D504,672 S 5/2005 Hirano  
D512,992 S 12/2005 Murakami  
D515,069 S 2/2006 Naito  
D518,816 S \* 4/2006 Naito et al. .... D14/205  
D559,837 S 1/2008 Nakano  
D566,104 S 4/2008 Suzuki  
D585,429 S \* 1/2009 Dean ..... D14/223  
D585,881 S \* 2/2009 Nam et al. .... D14/223  
7,778,410 B2 \* 8/2010 Liu et al. .... 379/430

**FOREIGN PATENT DOCUMENTS**

JP D1320751 S 2/2008  
JP D1322468 S 2/2008  
JP D1322556 S 2/2008  
JP D1322947 S 2/2008  
JP D1336549 S 7/2008  
JP D1352161 S 3/2009  
JP D1352162 S 3/2009

\* cited by examiner

*Primary Examiner* — Paula Greene

(74) *Attorney, Agent, or Firm* — Rader, Fishman & Grauer PLLC

(57) **CLAIM**

The ornamental design for an earphone, as shown and described.

**DESCRIPTION**

FIG. 1 is a perspective view of an earphone showing our new design;

FIG. 2 is a front elevational view thereof;

FIG. 3 is a rear elevational view thereof;

FIG. 4 is a left side elevational view thereof;

FIG. 5 is a right side elevational view thereof;

FIG. 6 is a top plan view thereof; and,

FIG. 7 is a bottom plan view thereof.

The broken line shown in dotted lines form no part of the claimed design; the broken lines shown in dashed lines define the bounds of the claimed design and form no part thereof.

**1 Claim, 4 Drawing Sheets**

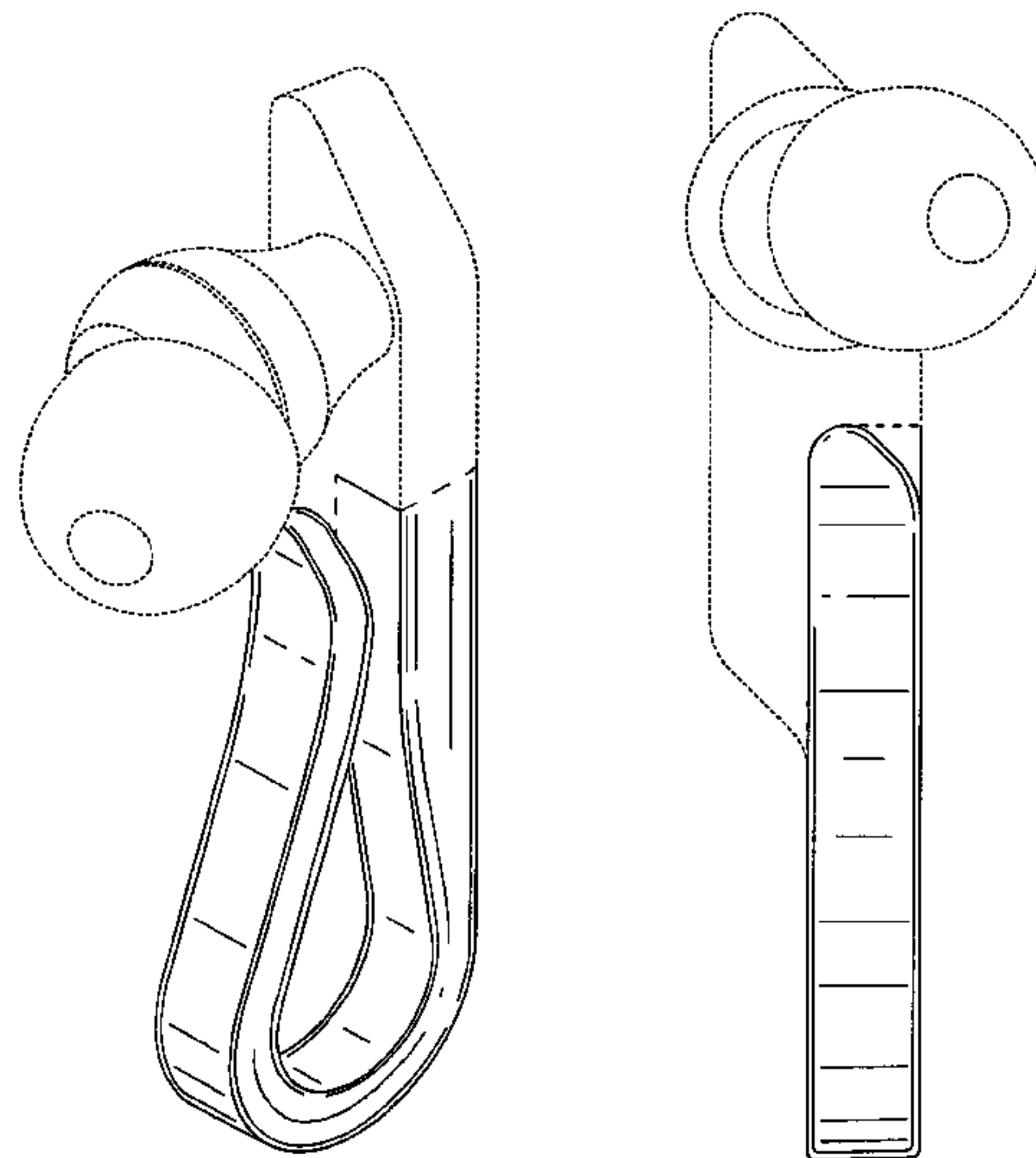


FIG. 1

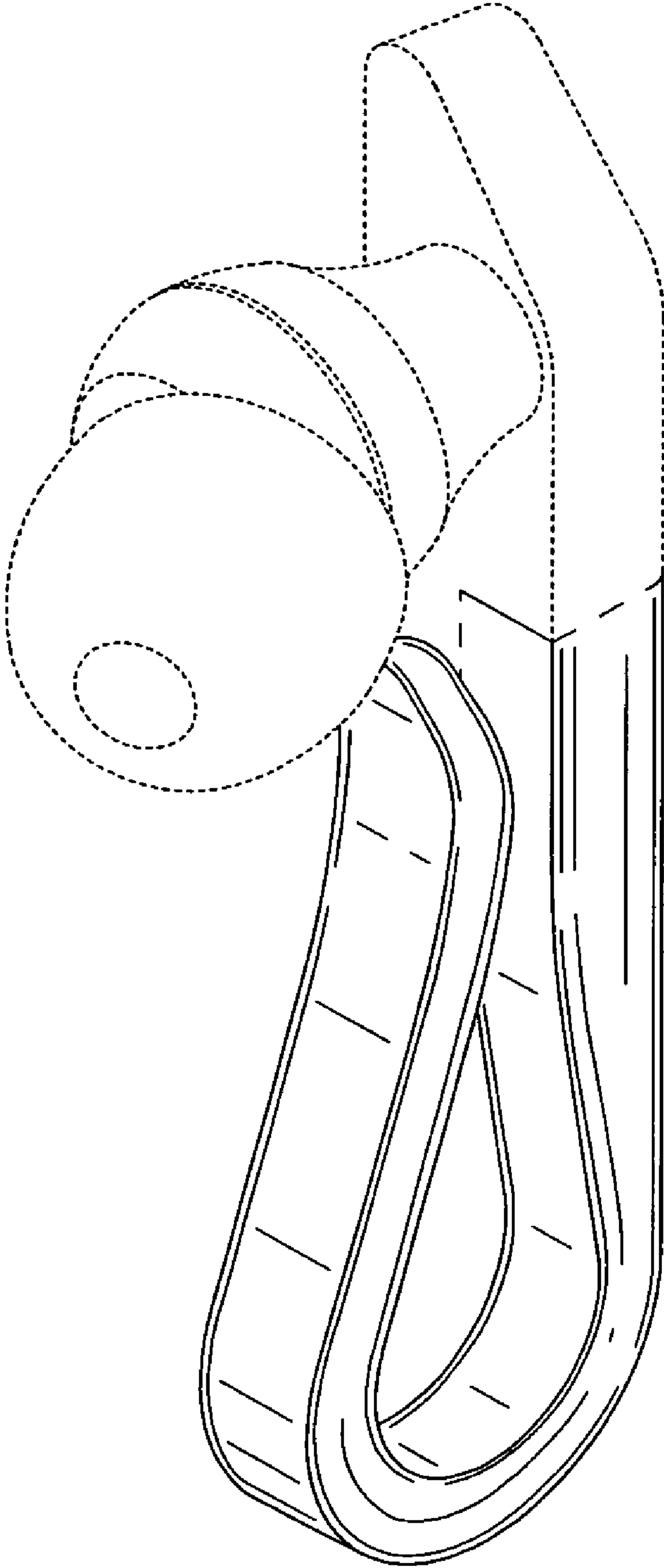


FIG.2

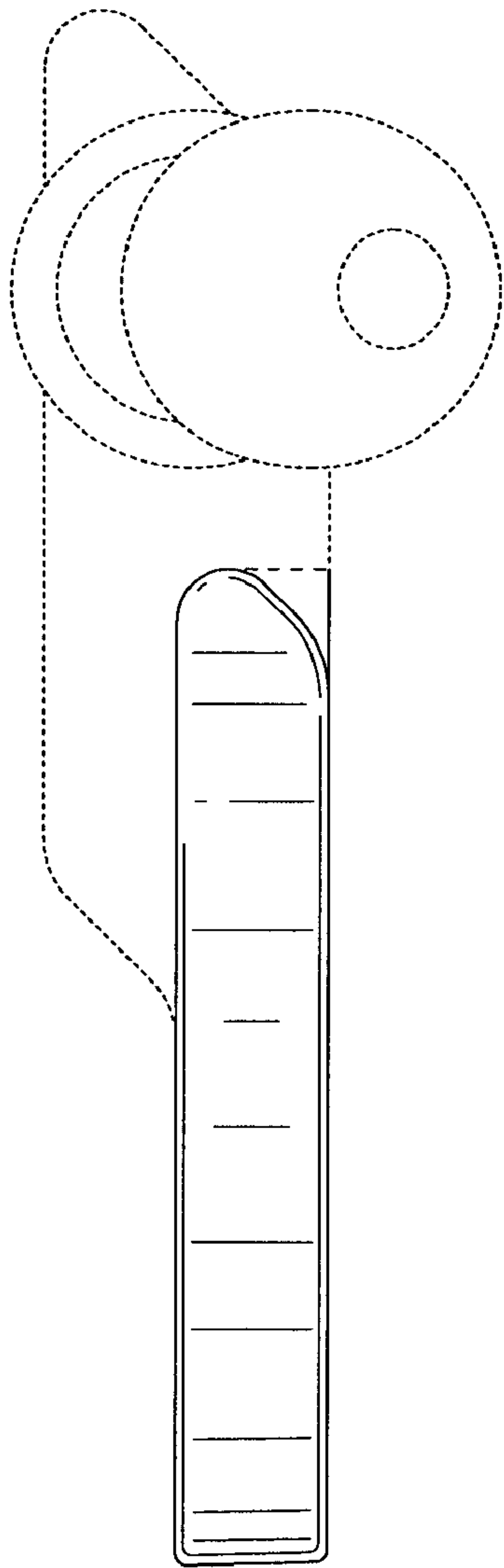
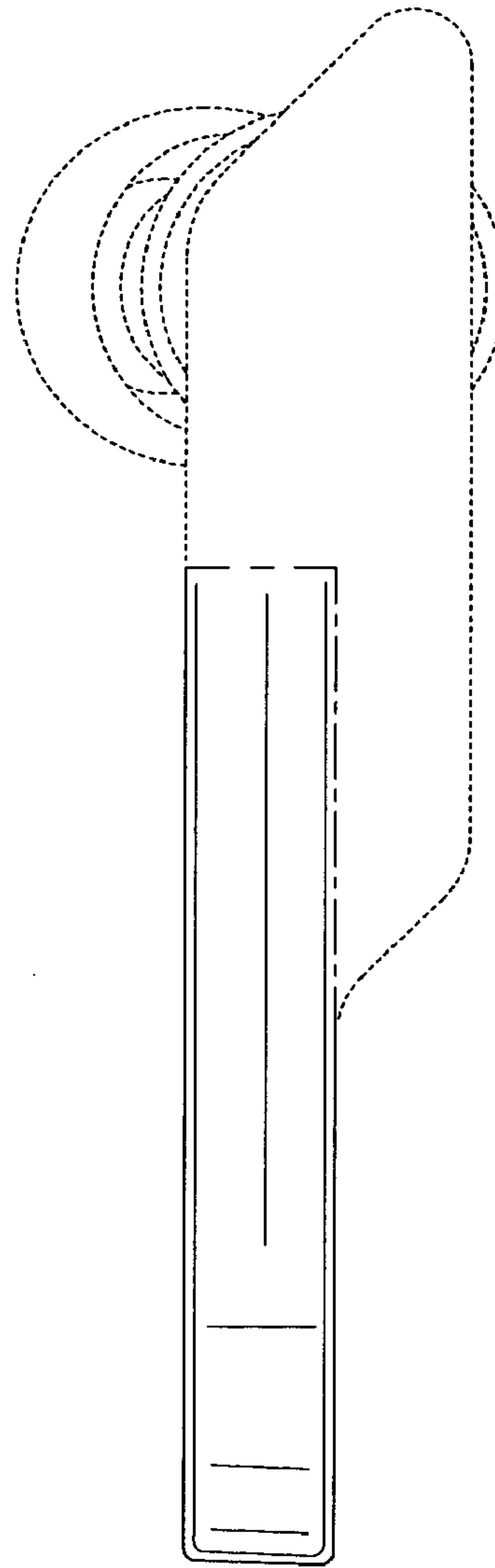


FIG.3



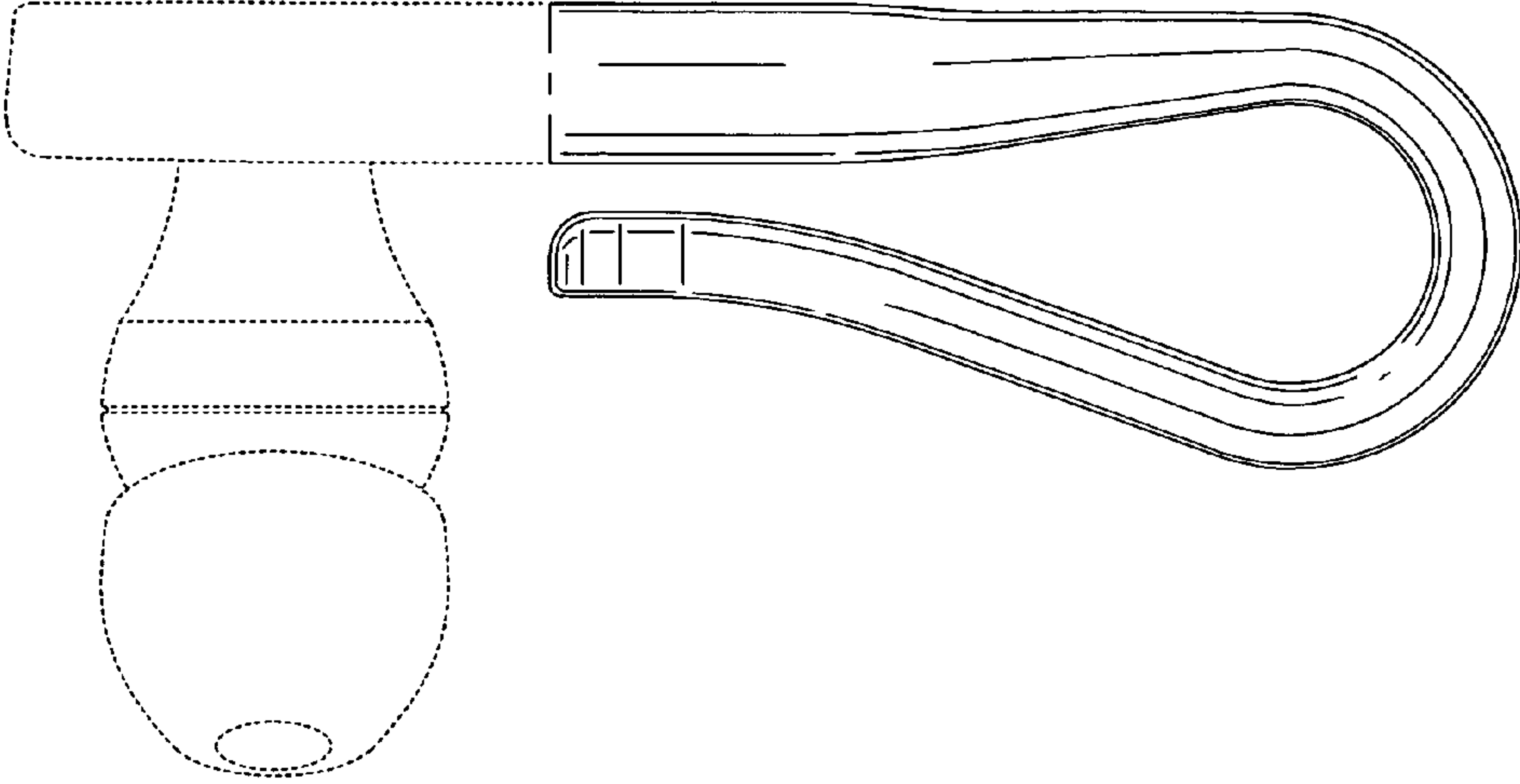


FIG.5

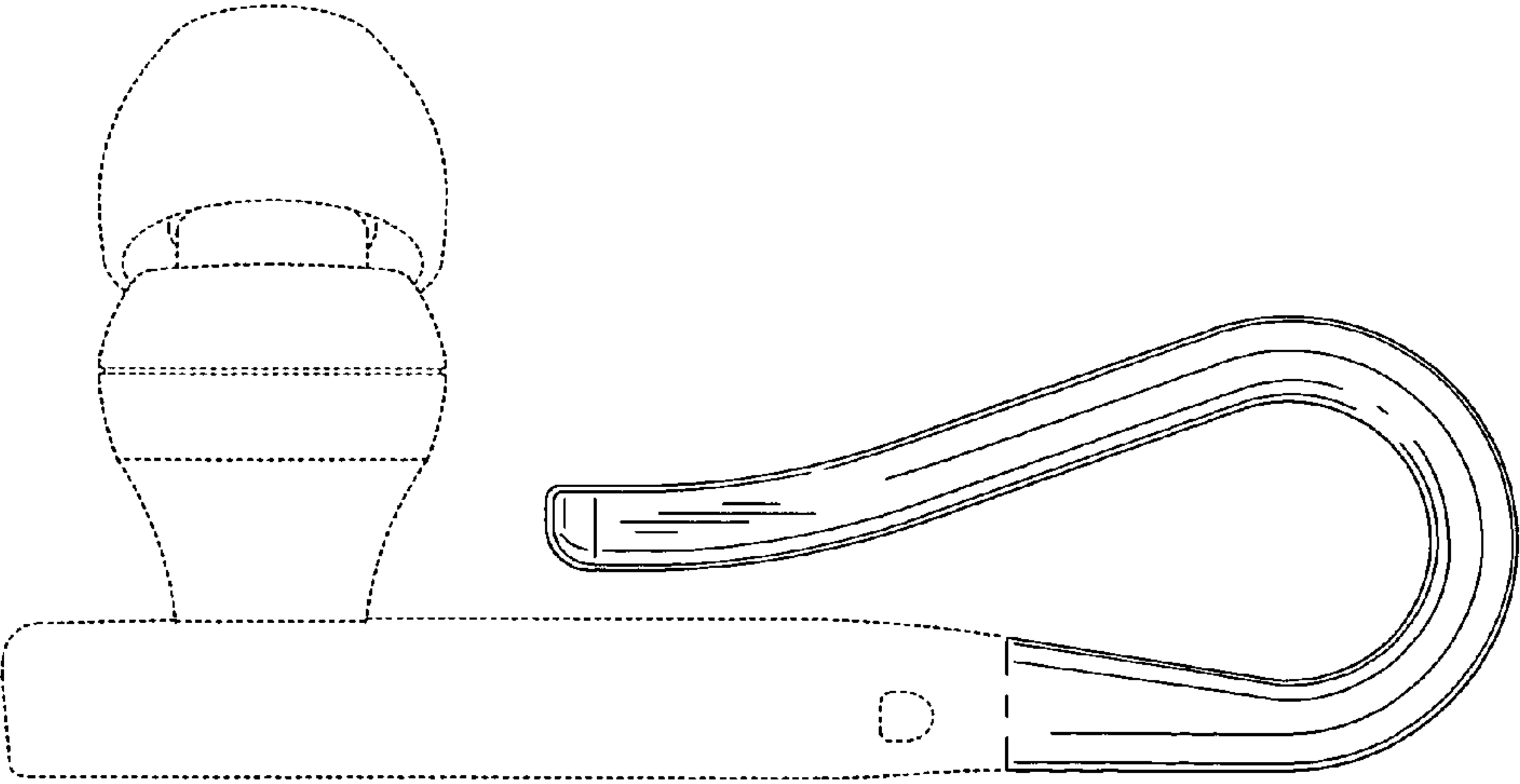


FIG.4

FIG.6

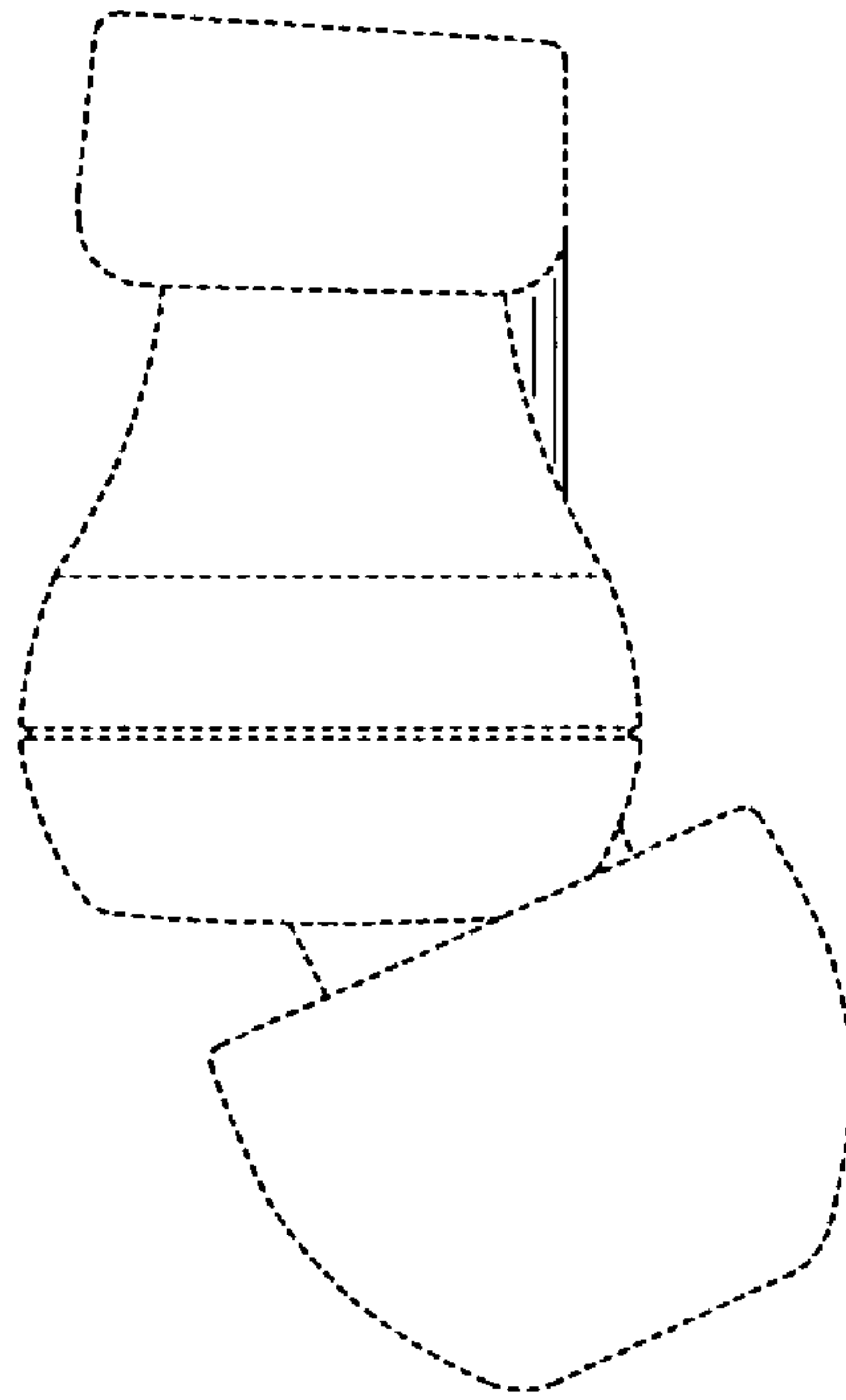


FIG.7

