



US00D633898S

(12) **United States Design Patent**  
**Seo et al.**

(10) **Patent No.:** **US D633,898 S**  
(45) **Date of Patent:** **\*\* Mar. 8, 2011**

(54) **SPEAKER**  
(75) Inventors: **Young Kook Seo**, Gyeonggi-do (KR);  
**Yoo Seok Kim**, Seoul (KR)  
(73) Assignee: **LG Electronics Inc.**, Seoul (KR)  
(\*\*) Term: **14 Years**  
(21) Appl. No.: **29/357,149**  
(22) Filed: **Mar. 8, 2010**  
(30) **Foreign Application Priority Data**  
Sep. 9, 2009 (KR) ..... 30-2009-0040014  
(51) **LOC (9) Cl.** ..... **14-01**  
(52) **U.S. Cl.** ..... **D14/216**  
(58) **Field of Classification Search** ..... D14/204,  
D14/210–216, 168, 172; 181/143–144, 147–148,  
181/150–153, 157, 198–199; 381/300–303,  
381/306, 332–333, 336, 345, 361–364, 386–388;  
D7/612, 614, 629  
See application file for complete search history.

(56) **References Cited**  
**U.S. PATENT DOCUMENTS**  
D471,895 S \* 3/2003 Hovanky et al. .... D14/215

D494,958 S \* 8/2004 Solland ..... D14/215  
D537,073 S \* 2/2007 Peersman ..... D14/216  
D563,391 S \* 3/2008 Skurdal ..... D14/216  
D575,770 S \* 8/2008 Lewis ..... D14/216  
D603,374 S \* 11/2009 Peters ..... D14/216

\* cited by examiner  
*Primary Examiner*—Nanda Bondade  
(74) *Attorney, Agent, or Firm*—Morgan, Lewis & Bockius  
LLP

(57) **CLAIM**

The ornamental design for a speaker, as shown and described.

**DESCRIPTION**

FIG. 1 is a perspective view of a speaker showing our new design;  
FIG. 2 is a front view thereof;  
FIG. 3 is a rear view thereof;  
FIG. 4 is a left side view thereof where the right side view is a mirror image;  
FIG. 5 is a top plan view thereof; and,  
FIG. 6 is a bottom plan view thereof.

**1 Claim, 6 Drawing Sheets**

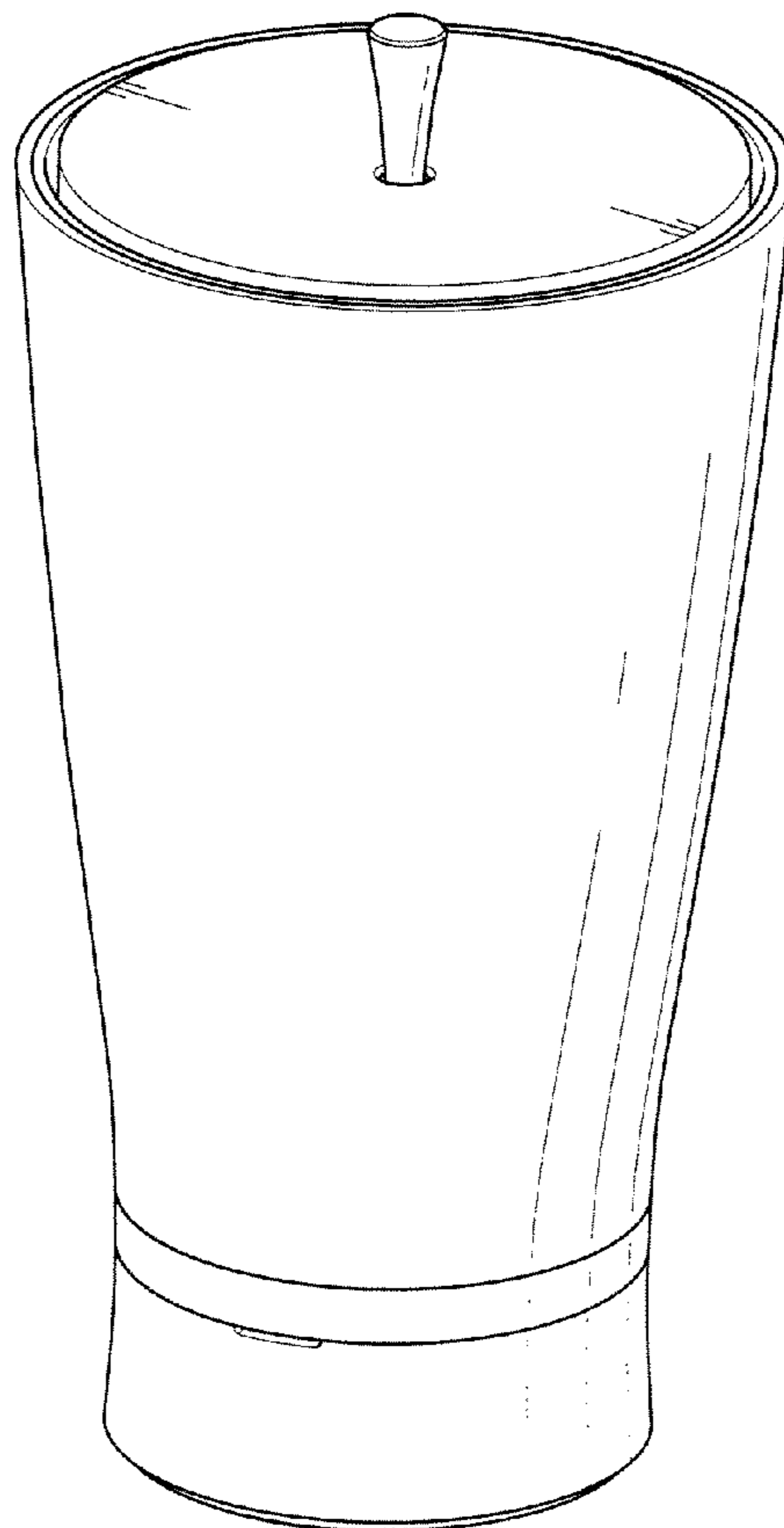


FIG. 1

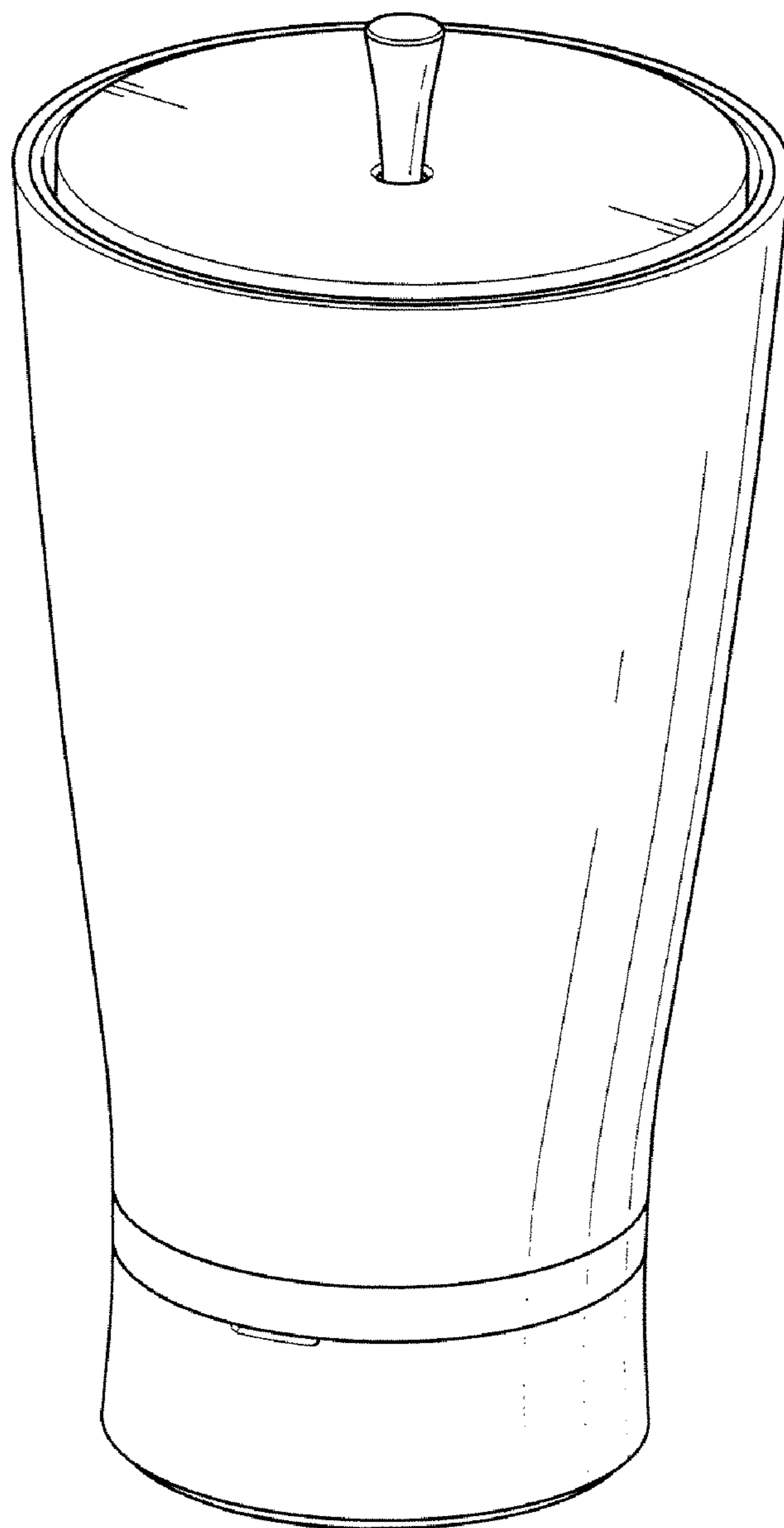


FIG. 2

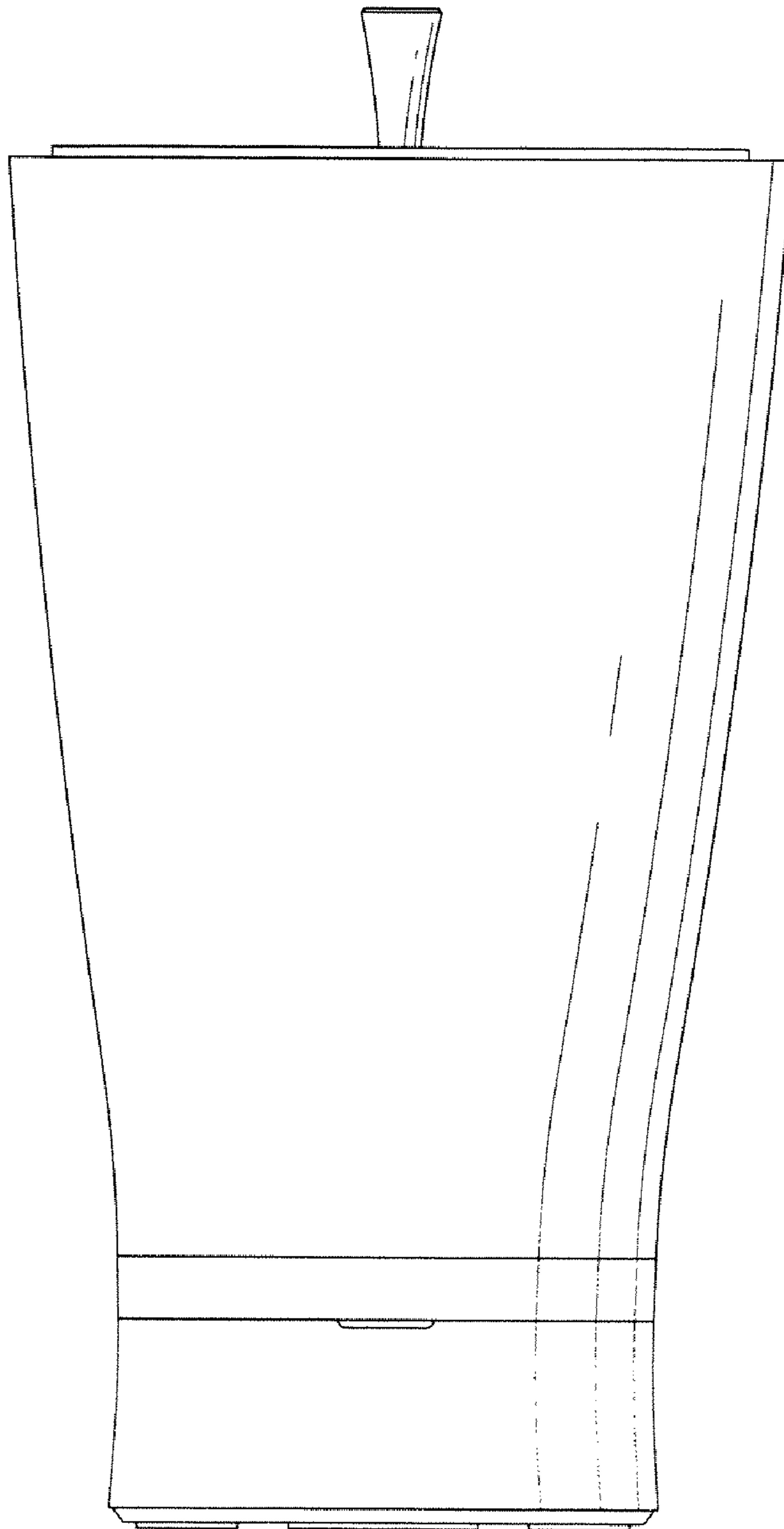


FIG. 3

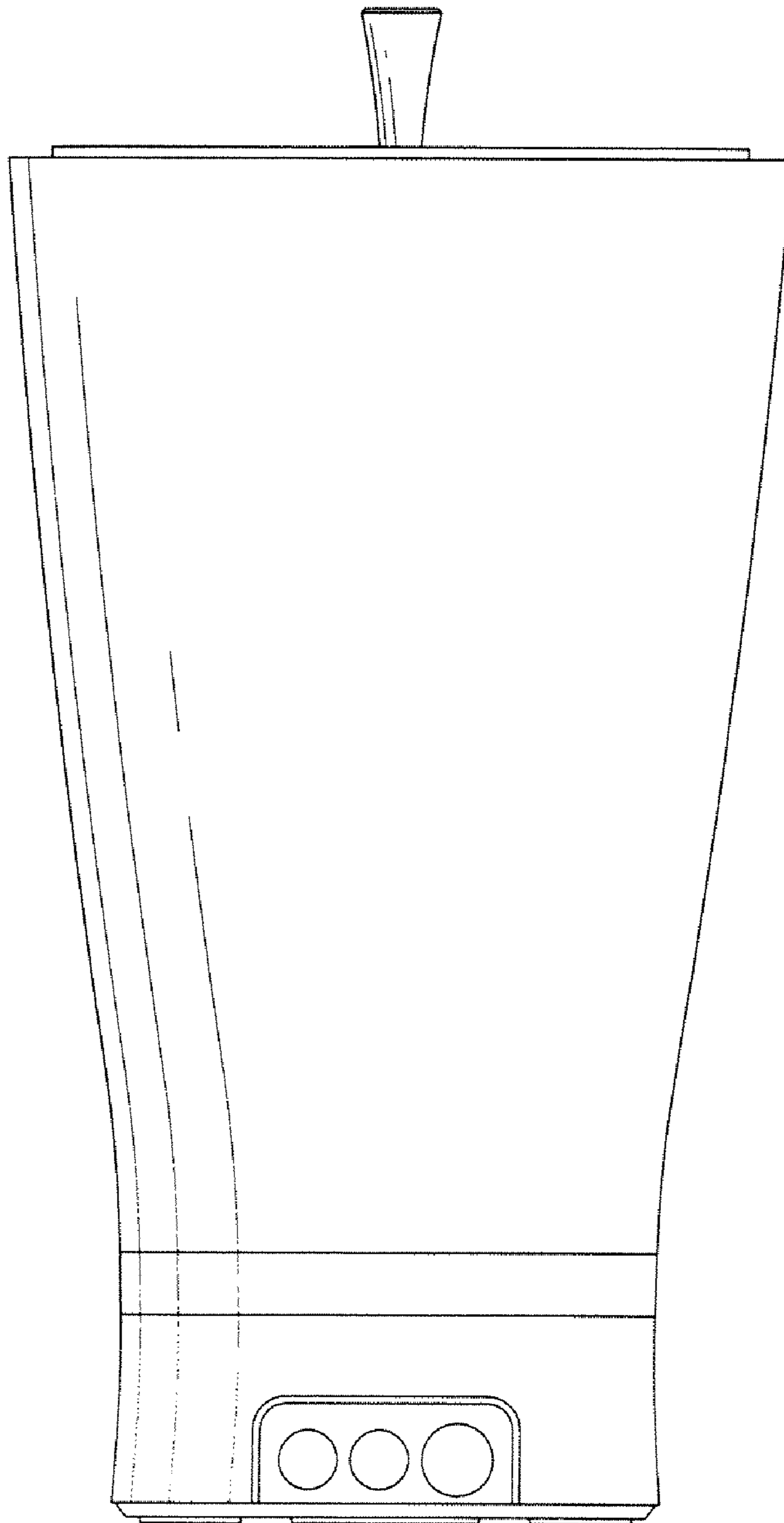


FIG. 4

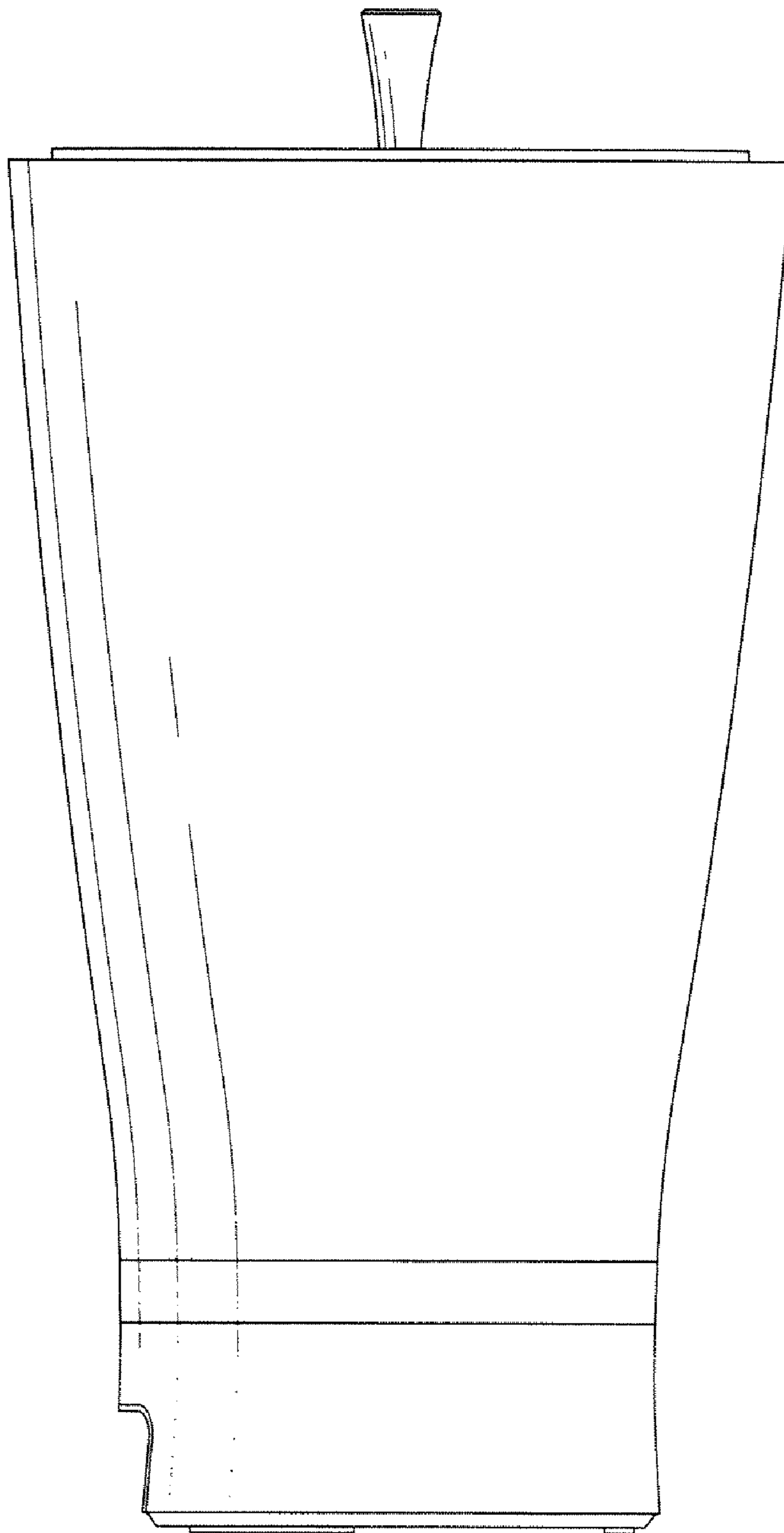


FIG. 5

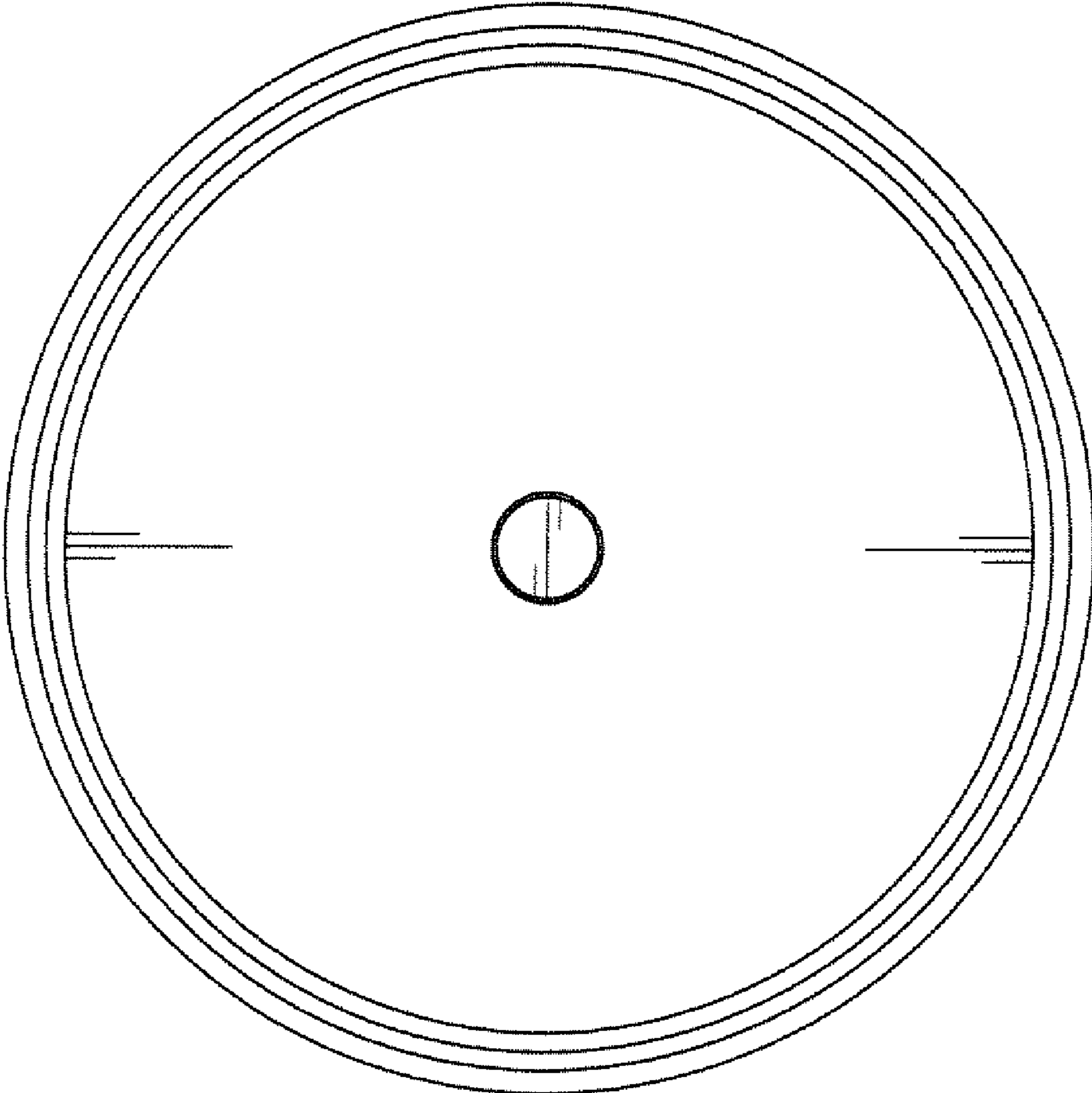


FIG. 6

