



US00D633896S

(12) **United States Design Patent**  
**Kondo et al.**

(10) **Patent No.:** **US D633,896 S**  
(45) **Date of Patent:** **\*\* Mar. 8, 2011**

(54) **HEADPHONE**

(75) Inventors: **Kazuhisa Kondo**, Tokyo (JP); **Chih-Wei Yang**, Tokyo (JP); **Wataru Sakuma**, Kanagawa (JP)

(73) Assignee: **Kabushiki Kaisha Audio-Technica**, Tokyo (JP)

(\*\*) Term: **14 Years**

(21) Appl. No.: **29/359,156**

(22) Filed: **Apr. 7, 2010**

(30) **Foreign Application Priority Data**

Oct. 9, 2009 (JP) ..... 2009-023778

(51) **LOC (9) Cl.** ..... **14-01**

(52) **U.S. Cl.** ..... **D14/205**

(58) **Field of Classification Search** ..... D14/205, D14/206, 223, 142, 188, 192; 381/370, 371, 381/374, 376, 377, 378, 379, 380, 381; 379/430, 379/431; D29/112; 2/209; 455/575.1, 90.3  
See application file for complete search history.

(56) **References Cited**

**U.S. PATENT DOCUMENTS**

- 5,018,599 A \* 5/1991 Dohi et al. .... 181/129
- D353,818 S \* 12/1994 Nakamura ..... D14/205
- 5,406,037 A \* 4/1995 Nageno et al. .... 181/129
- 5,574,795 A \* 11/1996 Seki ..... 381/370
- D410,466 S \* 6/1999 Mouri ..... D14/205

- D420,356 S \* 2/2000 Suzuki ..... D14/205
- D457,512 S \* 5/2002 Yoneda ..... D14/205
- D517,045 S \* 3/2006 Komiyama ..... D14/205
- D532,407 S \* 11/2006 Motoishi ..... D14/205
- D567,215 S \* 4/2008 Lee ..... D14/205
- D585,871 S \* 2/2009 Lee ..... D14/205
- D588,098 S \* 3/2009 Kurihara ..... D14/205
- D603,370 S \* 11/2009 Suzuki ..... D14/205

\* cited by examiner

*Primary Examiner*—Paula Greene

(74) *Attorney, Agent, or Firm*—Whitham Curtis Christofferson & Cook, PC

(57) **CLAIM**

We claim the ornamental design for a headphone, as shown and described.

**DESCRIPTION**

FIG. 1 is a front elevational view of a headphone;  
 FIG. 2 is a rear elevational view of a headphone;  
 FIG. 3 is a top plan view of a headphone;  
 FIG. 4 is a bottom plan view of a headphone;  
 FIG. 5 is a right side elevational view of a headphone;  
 FIG. 6 is a left side elevational view of a headphone;  
 FIG. 7 is a perspective view of a headphone, the opposite perspective view is a mirror image; and,  
 FIG. 8 is a bottom view of a headphone in an alternate position.

**1 Claim, 8 Drawing Sheets**

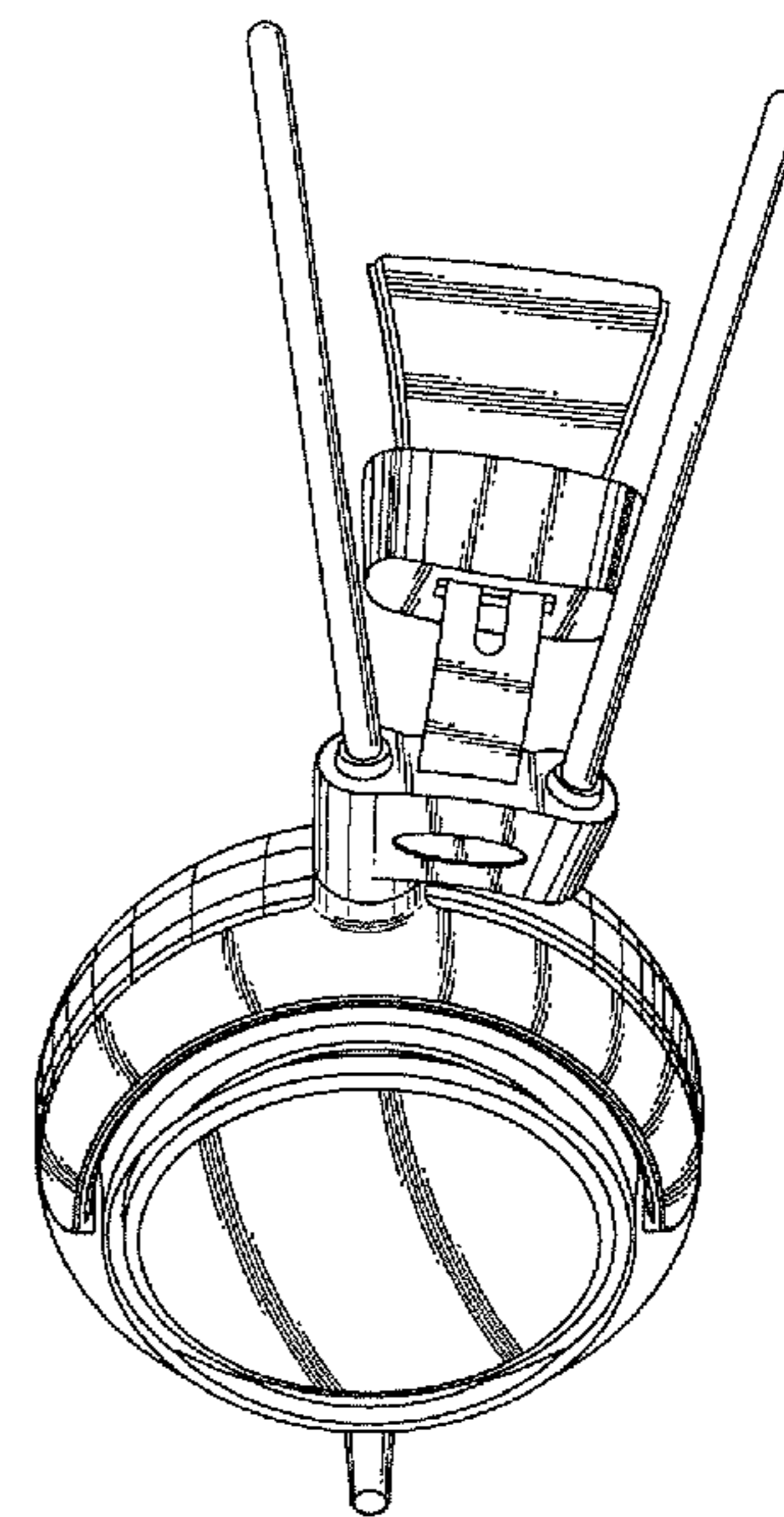
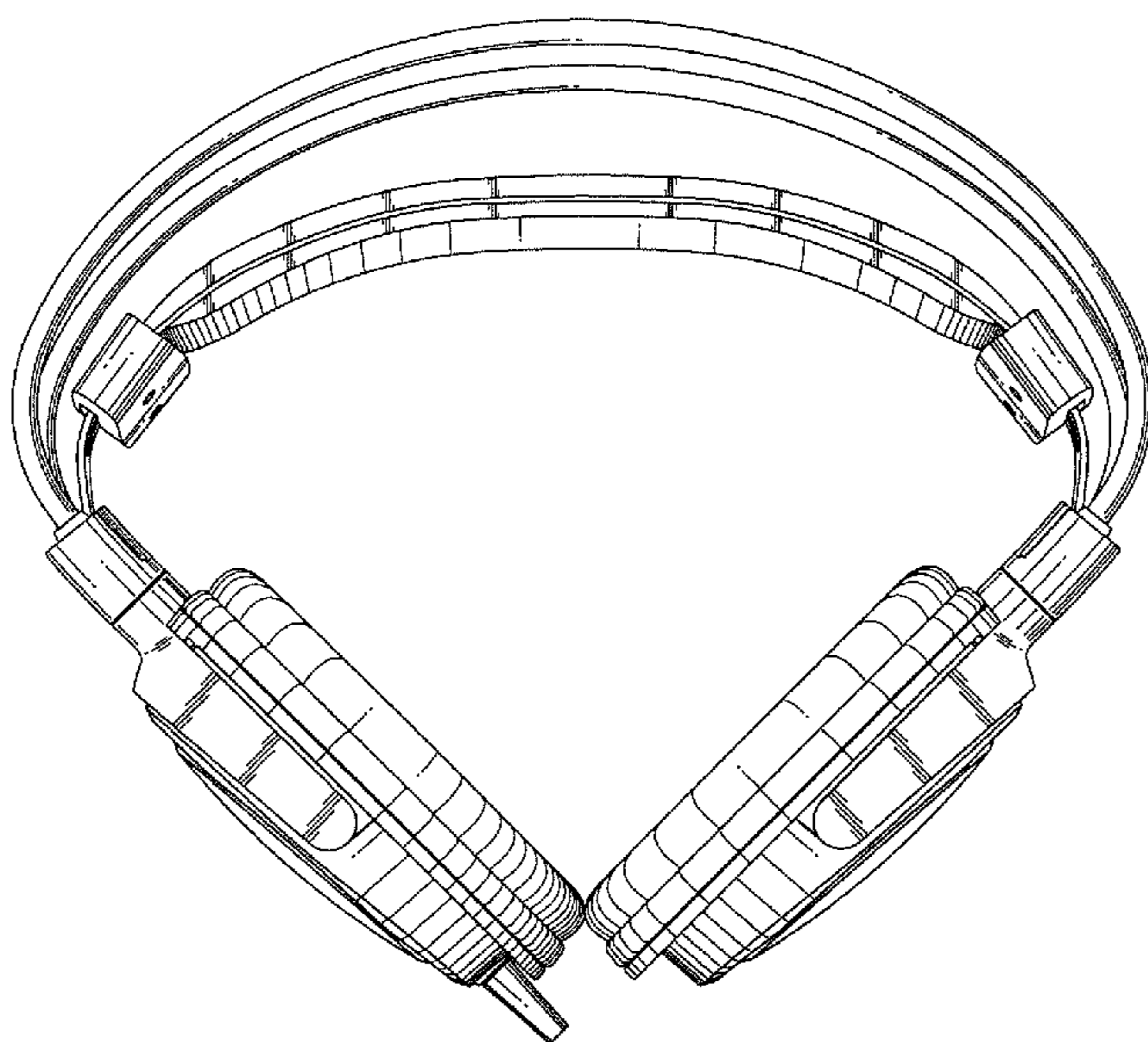


FIGURE 1

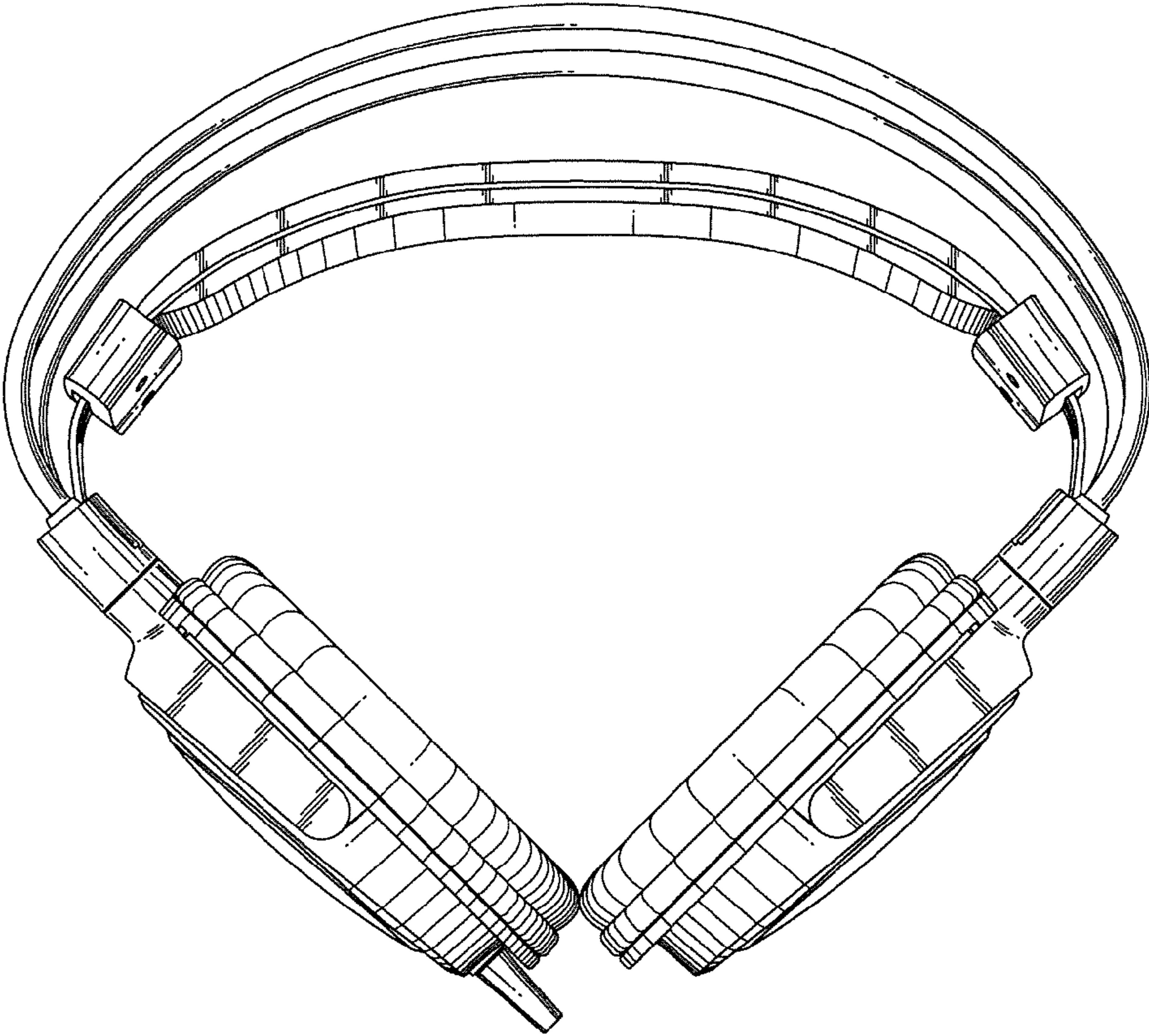


FIGURE 2

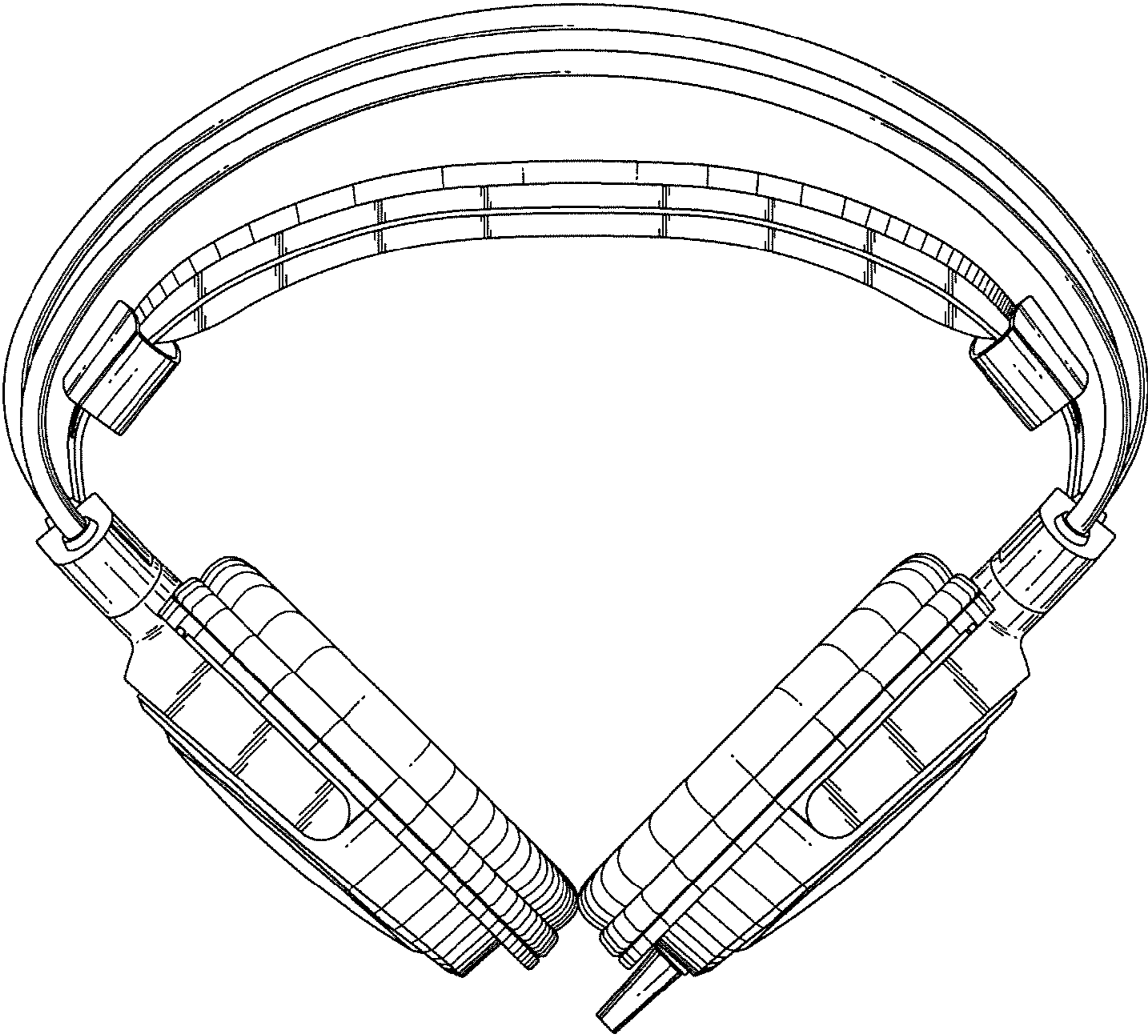


FIGURE 3

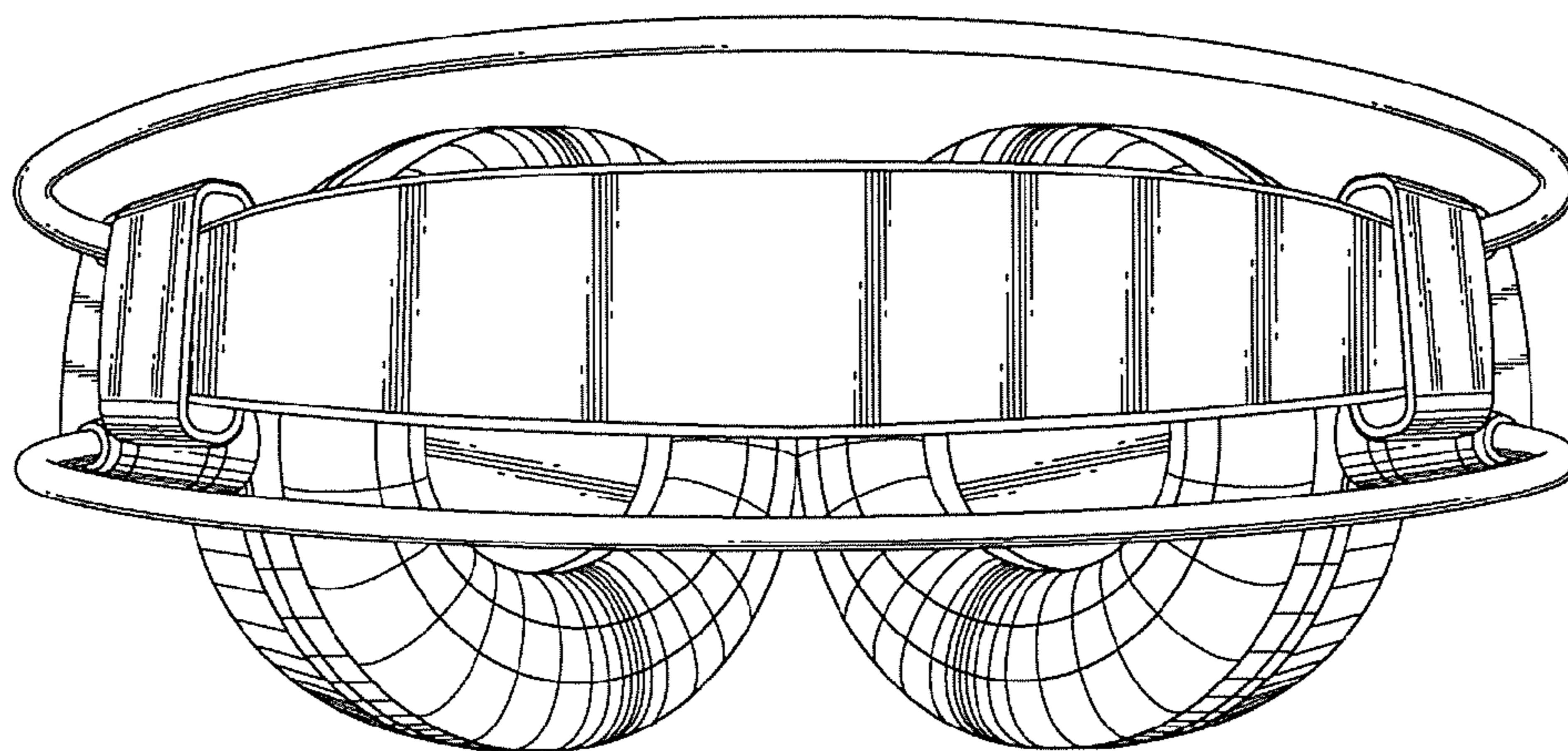


FIGURE 4

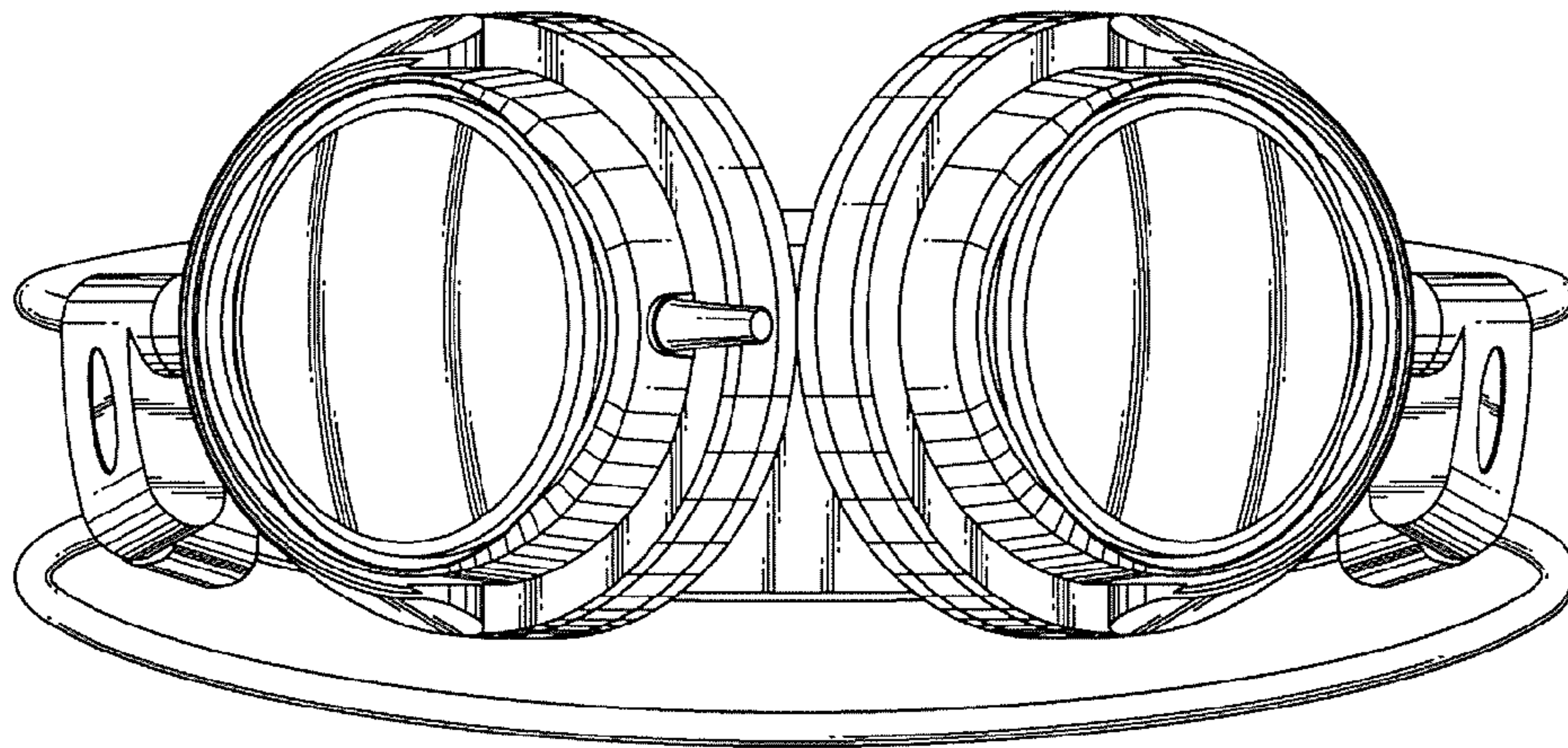


FIGURE 5

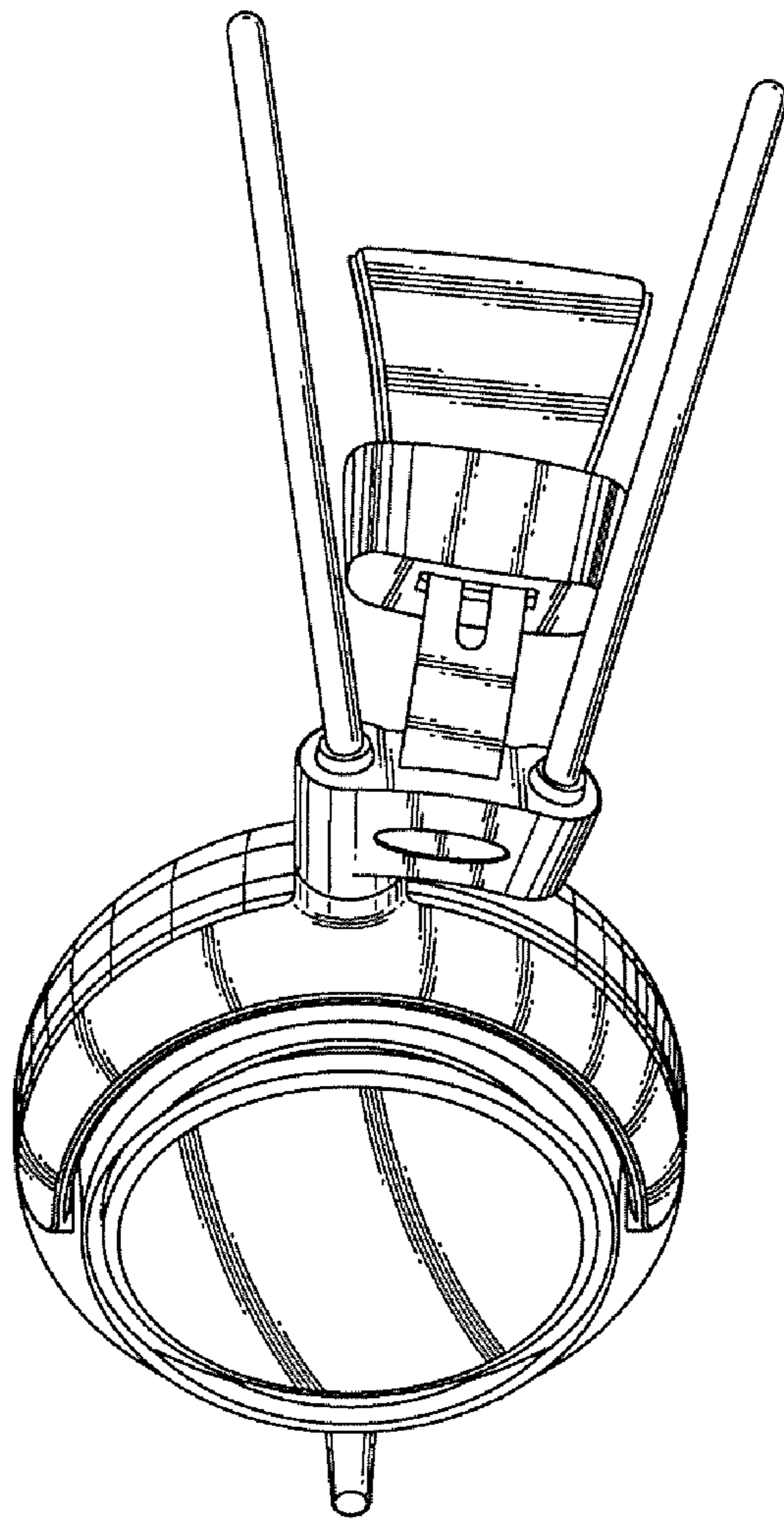


FIGURE 6

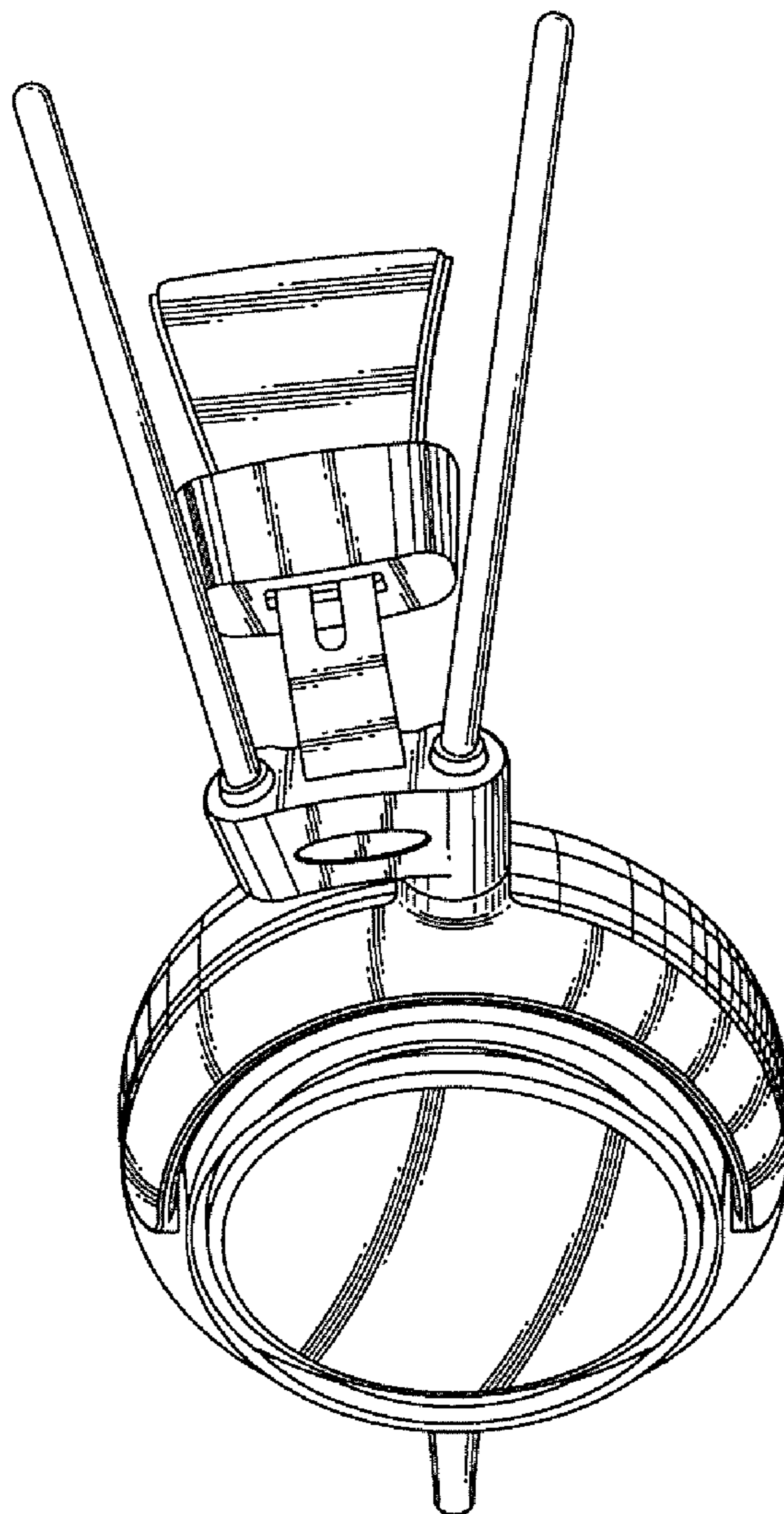


FIGURE 7

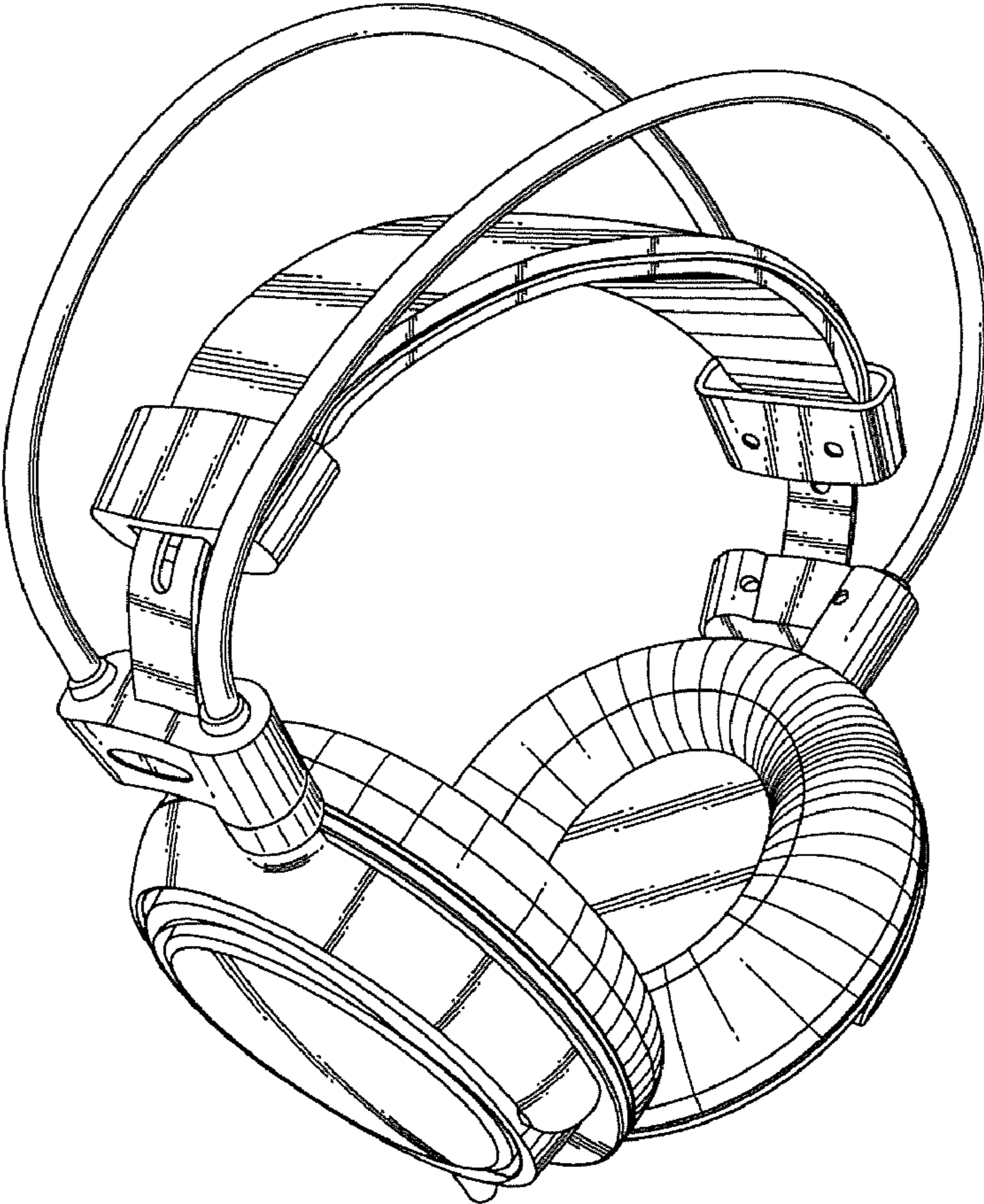




FIGURE 8

