



US00D633895S

(12) **United States Design Patent**
Morimoto

(10) **Patent No.:** **US D633,895 S**
(45) **Date of Patent:** **** Mar. 8, 2011**

(54) **HEADPHONE**

(75) Inventor: **So Morimoto**, Tokyo (JP)

(73) Assignee: **Sony Corporation**, Tokyo (JP)

(**) Term: **14 Years**

(21) Appl. No.: **29/347,464**

(22) Filed: **Jan. 27, 2010**

(30) **Foreign Application Priority Data**

Aug. 12, 2009 (CN) 2009 3 0190311

(51) **LOC (9) Cl.** **14-01**

(52) **U.S. Cl.** **D14/205**

(58) **Field of Classification Search** D14/205,
D14/206, 223, 188, 192, 203.5; 181/129,
181/130, 135; 381/380, 381, 376, 371, 374,
381/370; 379/430, 433.01; 455/90.3, 575.2;
D29/112; 2/209, 423; 24/163 R, 170, 604,
24/606, 614, 619

See application file for complete search history.

(56) **References Cited**

U.S. PATENT DOCUMENTS

1,530,922	A *	3/1925	Young et al.	381/379
1,567,105	A *	12/1925	Bohlman	381/377
1,587,409	A *	6/1926	Ouillet	381/379
1,598,354	A *	8/1926	Lowrey	381/378
2,235,372	A *	3/1941	Kalbitz	381/371
2,413,345	A *	12/1946	Gilman	381/379
2,420,245	A *	5/1947	Hurst	2/209
2,486,267	A *	10/1949	Dulinsky	381/377
2,782,423	A *	2/1957	Simon et al.	2/209
2,946,860	A *	7/1960	Jansen et al.	181/129
3,085,253	A *	4/1963	Ulrich et al.	2/209
3,408,658	A *	11/1968	Beguín et al.	2/209
3,440,663	A *	4/1969	Beguín	2/209
4,453,050	A *	6/1984	Enokido	381/381

4,472,607	A *	9/1984	Houng	181/18
4,546,215	A *	10/1985	Ferraro	381/374
4,571,746	A *	2/1986	Görike	
4,727,585	A *	2/1988	Flygstad	381/379
4,829,571	A *	5/1989	Kakiuchi et al.	381/309
5,035,005	A *	7/1991	Hung	2/209
D435,537	S	12/2000	Yuyama	
D517,045	S	3/2006	Komiyama	
D562,809	S	2/2008	Yang	
D566,099	S	4/2008	Komiyama	
D587,679	S	3/2009	Komiyama	
D589,932	S	4/2009	Komiyama	
D590,810	S	4/2009	Komiyama	
D597,070	S	7/2009	Zheng	
D613,267	S *	4/2010	Suwalski et al.	D14/206

FOREIGN PATENT DOCUMENTS

JP	D1124110	10/2001
JP	D1175394	6/2003

* cited by examiner

Primary Examiner — Paula Greene

(74) *Attorney, Agent, or Firm* — Rader, Fishman & Grauer PLLC

(57) **CLAIM**

The ornamental design for a headphone, as shown and described.

DESCRIPTION

FIG. 1 is a perspective view of a headphone showing my new design;
FIG. 2 is a front elevational view thereof;
FIG. 3 is a rear elevational view thereof;
FIG. 4 is a left side elevational view thereof;
FIG. 5 is a right side elevational view thereof;
FIG. 6 is a top plan view thereof; and,
FIG. 7 is a bottom plan view thereof.
Portions in broken lines are for illustrative purpose only and form no part of the claimed design.

1 Claim, 5 Drawing Sheets

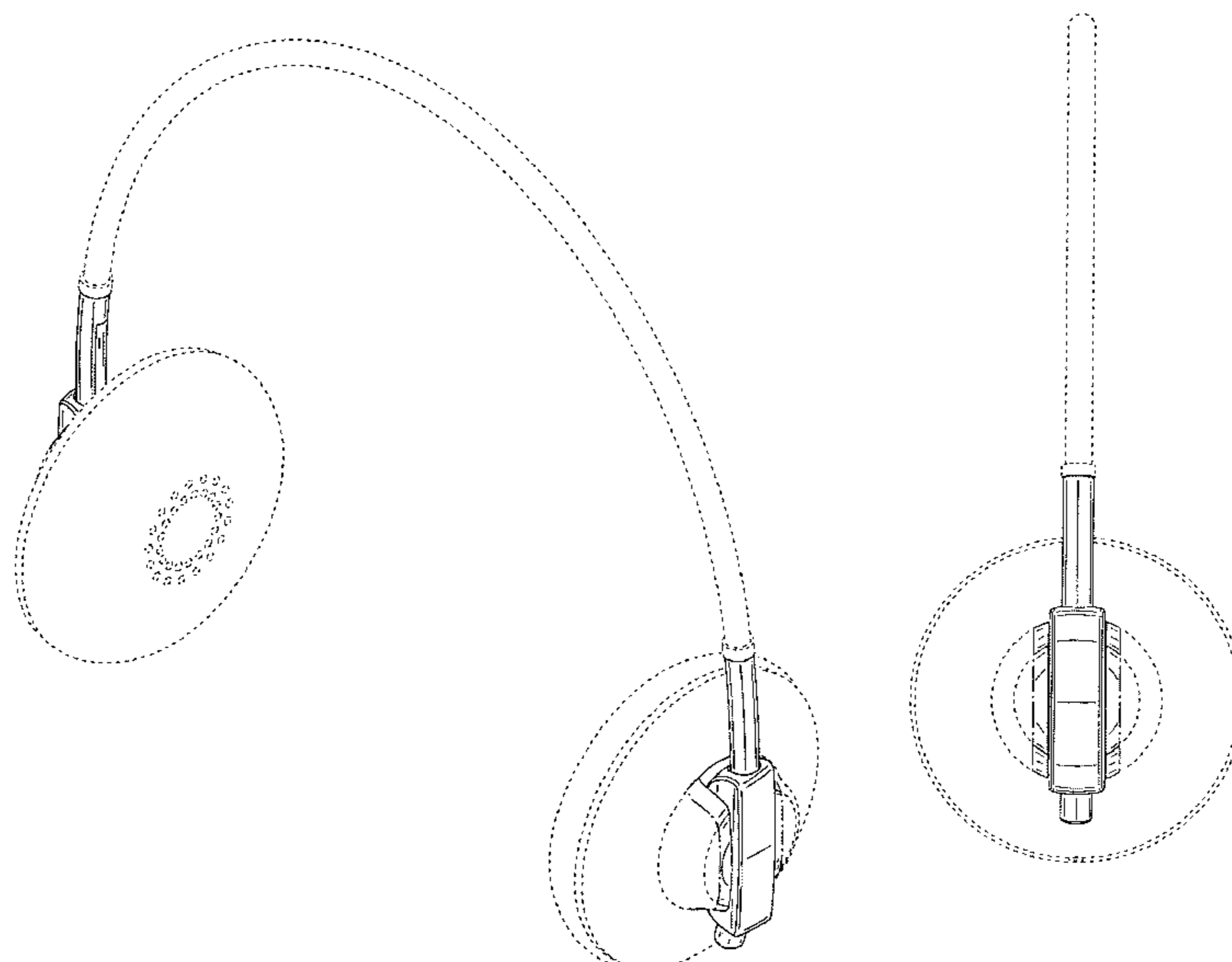


FIG. 1

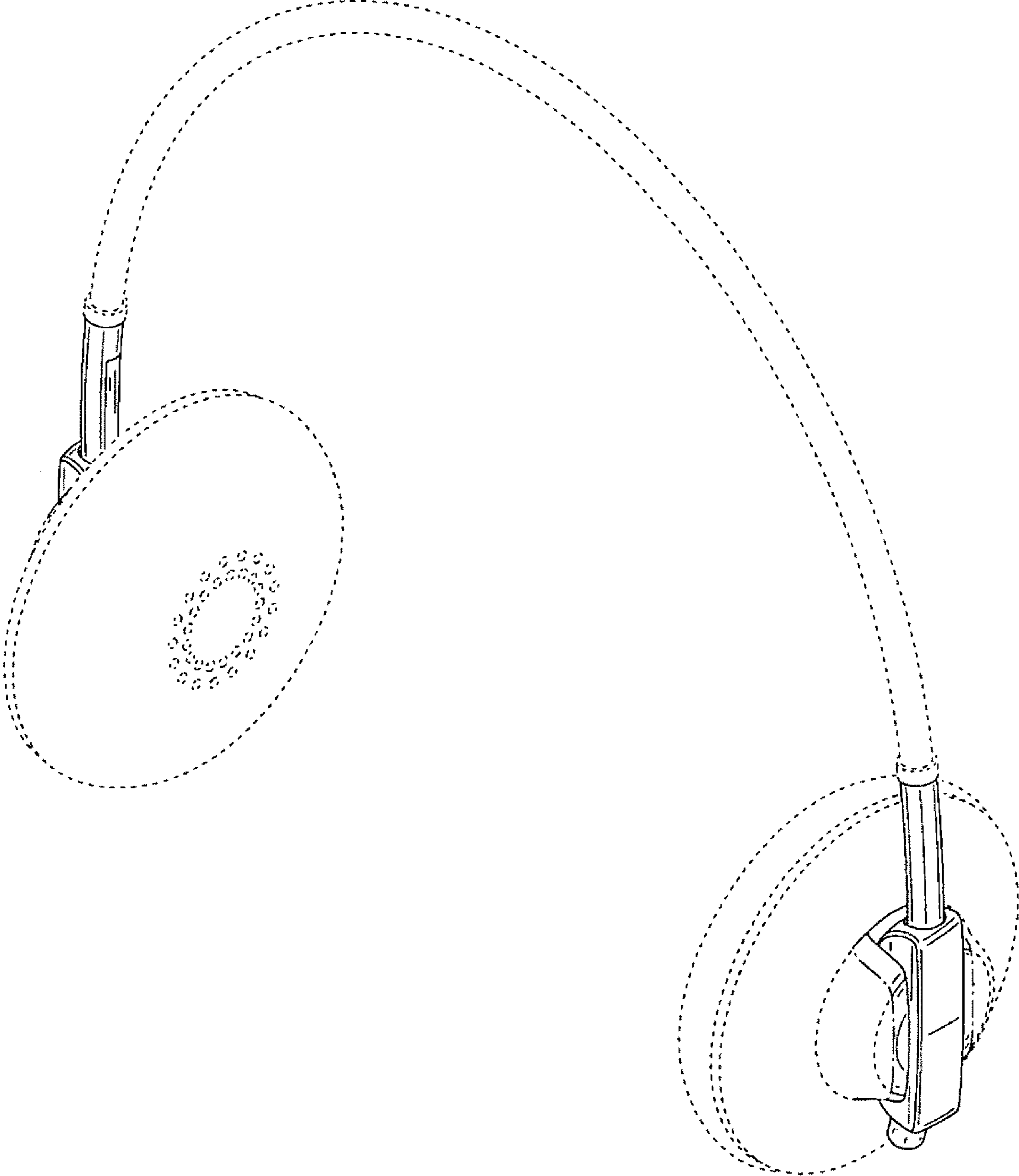


FIG.2

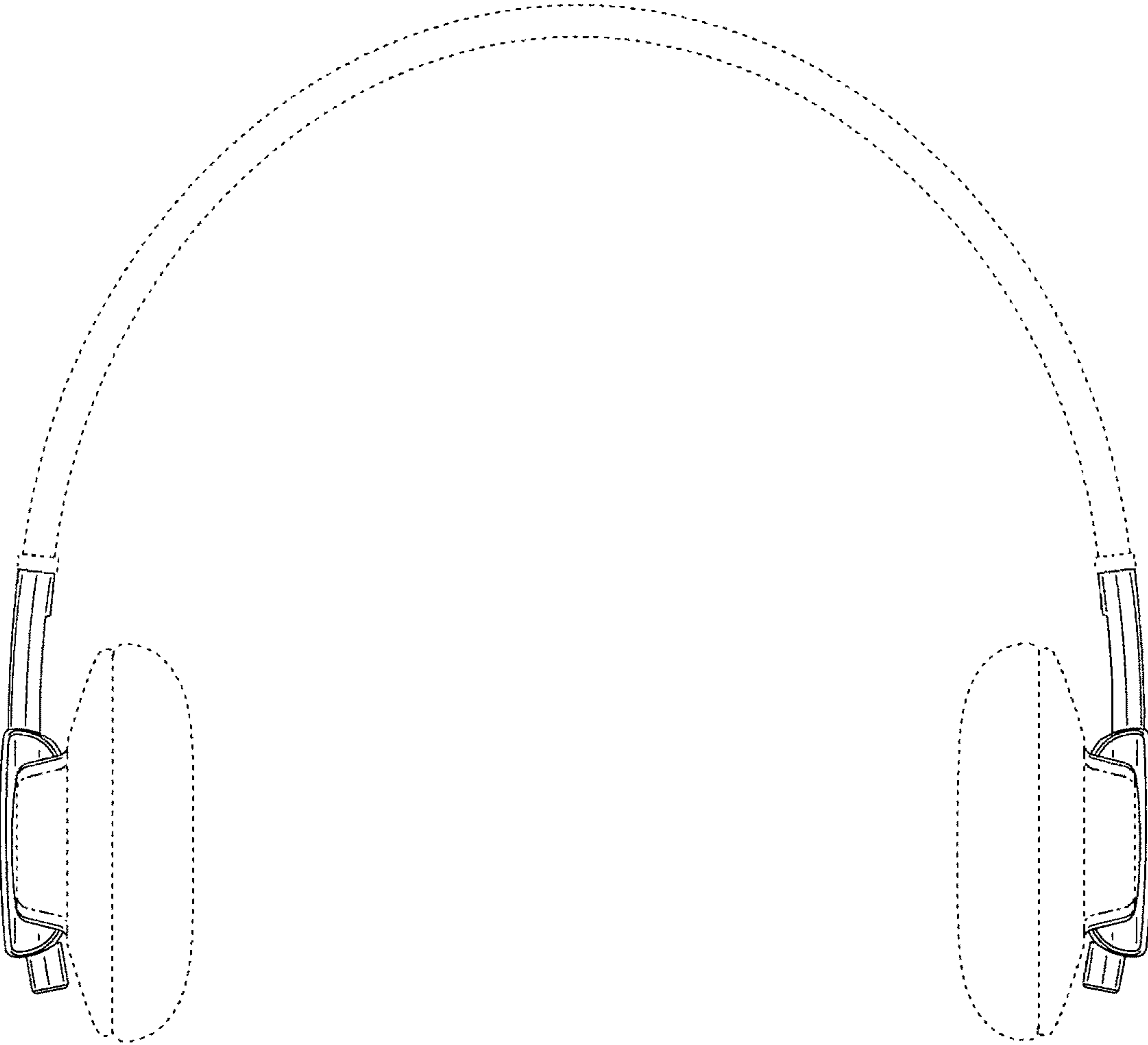


FIG.3

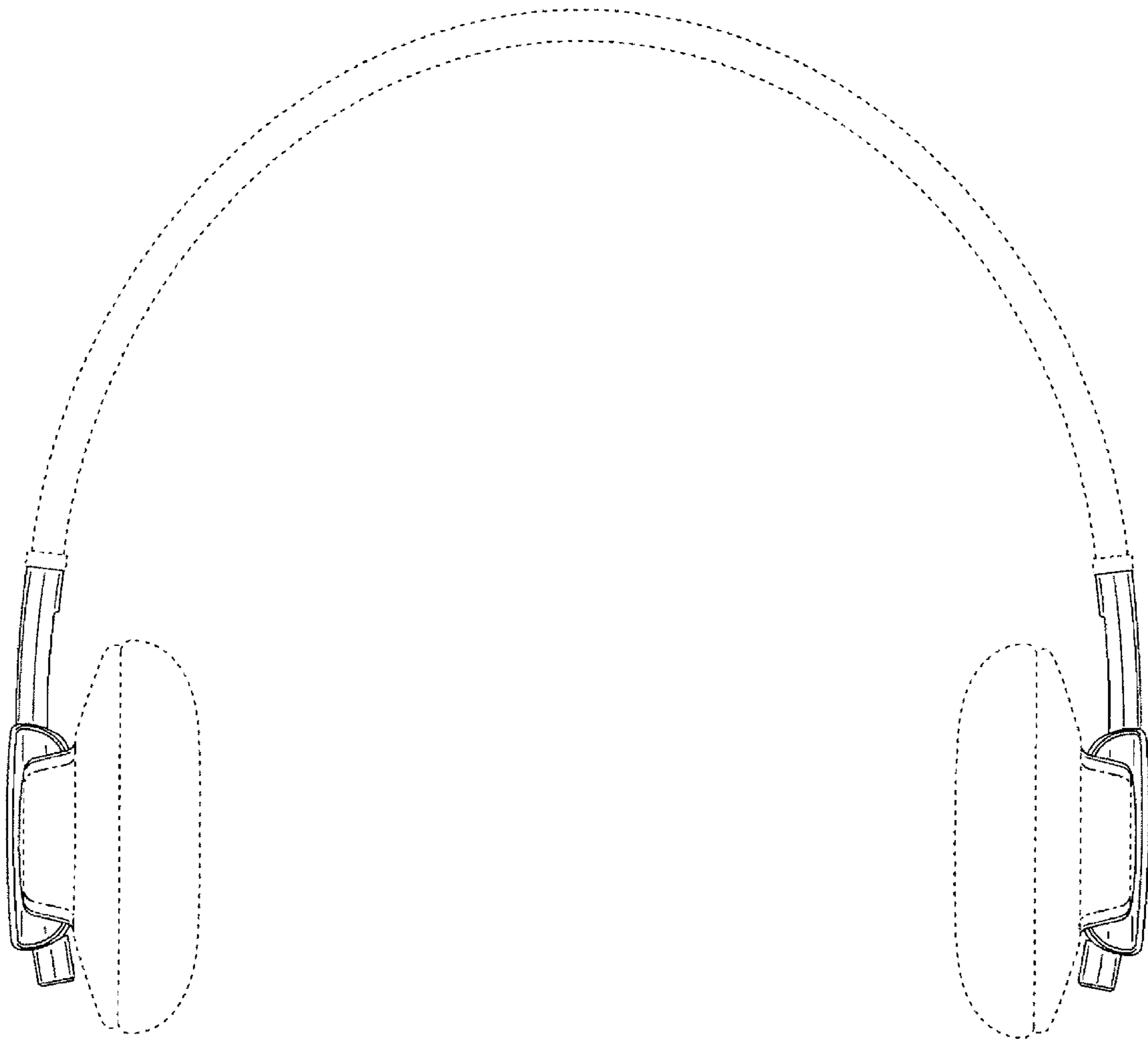


FIG.4

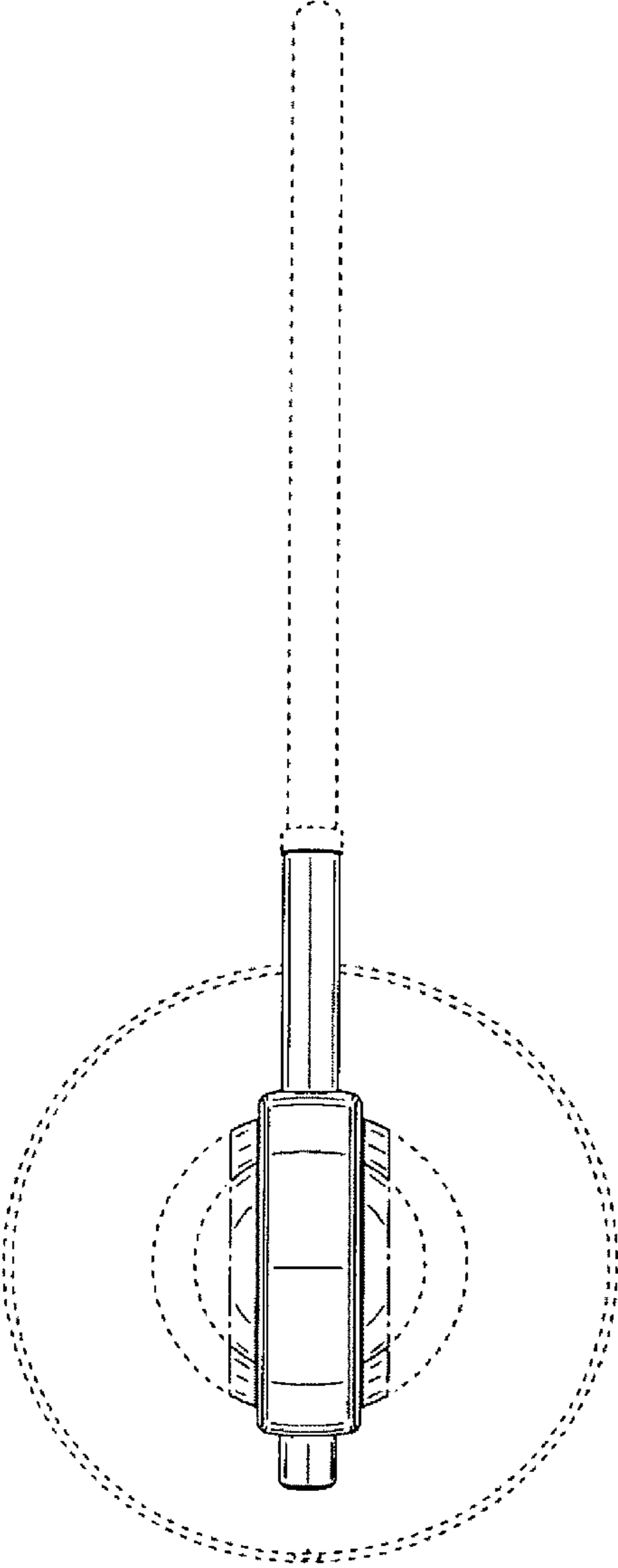


FIG.5

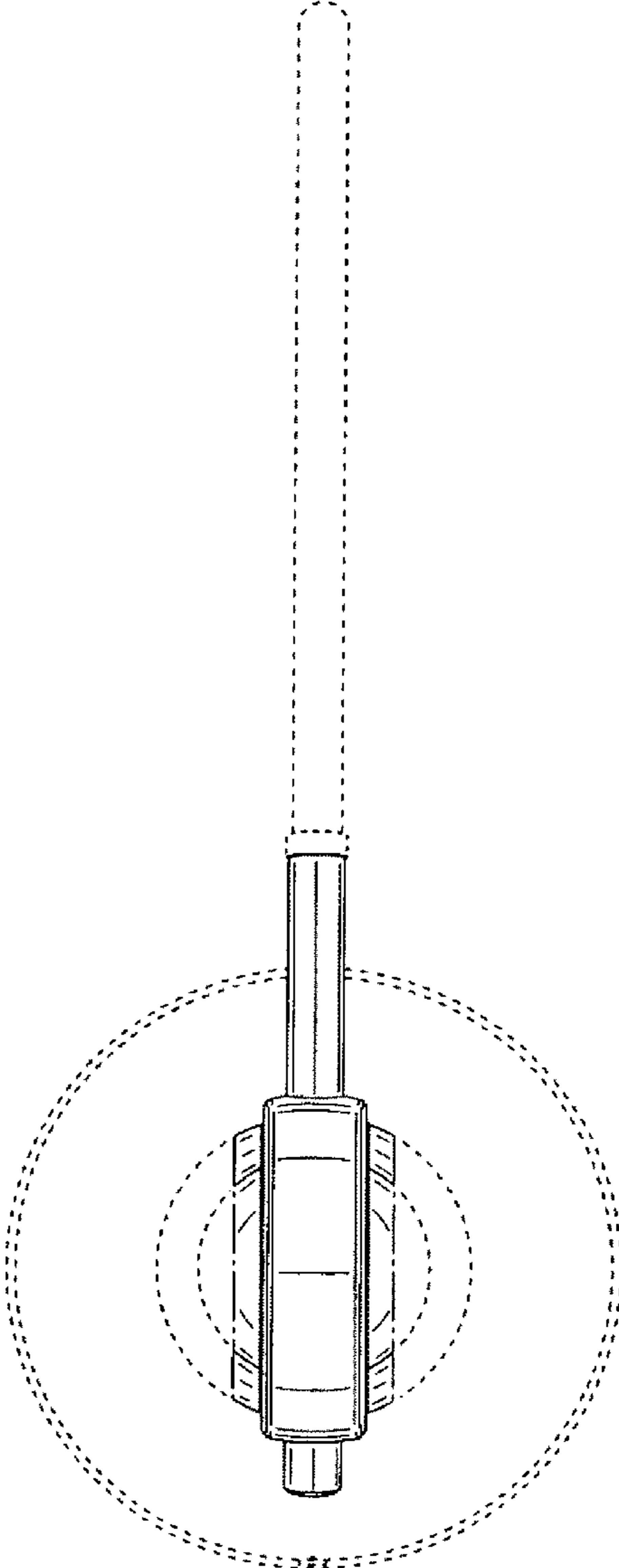


FIG.6



FIG.7

