



US00D633894S

(12) **United States Design Patent**  
**Meyer et al.**

(10) **Patent No.:** **US D633,894 S**

(45) **Date of Patent:** **\*\* Mar. 8, 2011**

(54) **EAR MUFF**

(75) Inventors: **Eugen Gustav Meyer**, Waterloo (AU);  
**Gianfranco Lassandro**, Mascot (AU)

(73) Assignee: **Sensear Pty Ltd** (AU)

(\*\*) Term: **14 Years**

(21) Appl. No.: **29/331,876**

(22) Filed: **Feb. 3, 2009**

(30) **Foreign Application Priority Data**

Aug. 6, 2008 (AU) ..... 13719/2008

(51) **LOC (9) Cl.** ..... **14-01**

(52) **U.S. Cl.** ..... **D14/205**

(58) **Field of Classification Search** ..... D14/205,  
D14/206, 223, 192; 181/129, 130; D29/112;  
128/865, 866, 867; 381/309, 371; 2/209;  
379/430, 431

See application file for complete search history.

(56) **References Cited**

**U.S. PATENT DOCUMENTS**

D229,833	S	*	1/1974	Becker	.....	D14/205
3,984,885	A	*	10/1976	Yoshimura et al.	.....	381/309
D244,037	S	*	4/1977	Warner et al.	.....	D14/205
D254,616	S	*	4/1980	Tabata	.....	D14/205
D254,910	S	*	5/1980	Lung	.....	D14/168
D255,352	S	*	6/1980	Besasio	.....	D14/205
D266,417	S	*	10/1982	Perez	.....	D14/165
D291,198	S	*	8/1987	Bellini	.....	D14/205

D317,767	S	*	6/1991	Banks	.....	D14/205
5,406,037	A	*	4/1995	Nageno et al.	.....	181/129
D358,390	S	*	5/1995	Hayashi	.....	D14/205
5,574,795	A	*	11/1996	Seki	.....	381/370
D411,200	S	*	6/1999	Almqvist	.....	D14/192
D413,413	S	*	8/1999	Dillon et al.	.....	D29/112
D491,163	S	*	6/2004	Green	.....	D14/205
6,965,681	B2	*	11/2005	Almqvist	.....	381/371
D589,492	S	*	3/2009	Mistry	.....	D14/205
D616,865	S	*	6/2010	Marchand et al.	.....	D14/205

\* cited by examiner

*Primary Examiner* — Paula Greene

(74) *Attorney, Agent, or Firm* — Marger Johnson & McCollom, P.C.

(57) **CLAIM**

The ornamental design for an ear muff, as shown and described.

**DESCRIPTION**

FIG. 1 is an upper isometric view of our ear muff showing our new design, wherein the bottom of the ear muff headband is unornamented;

FIG. 2 is a lower isometric view of the design of FIG. 1;

FIG. 3 is a front view of the design of FIG. 1;

FIG. 4 is a rear view of the design of FIG. 1;

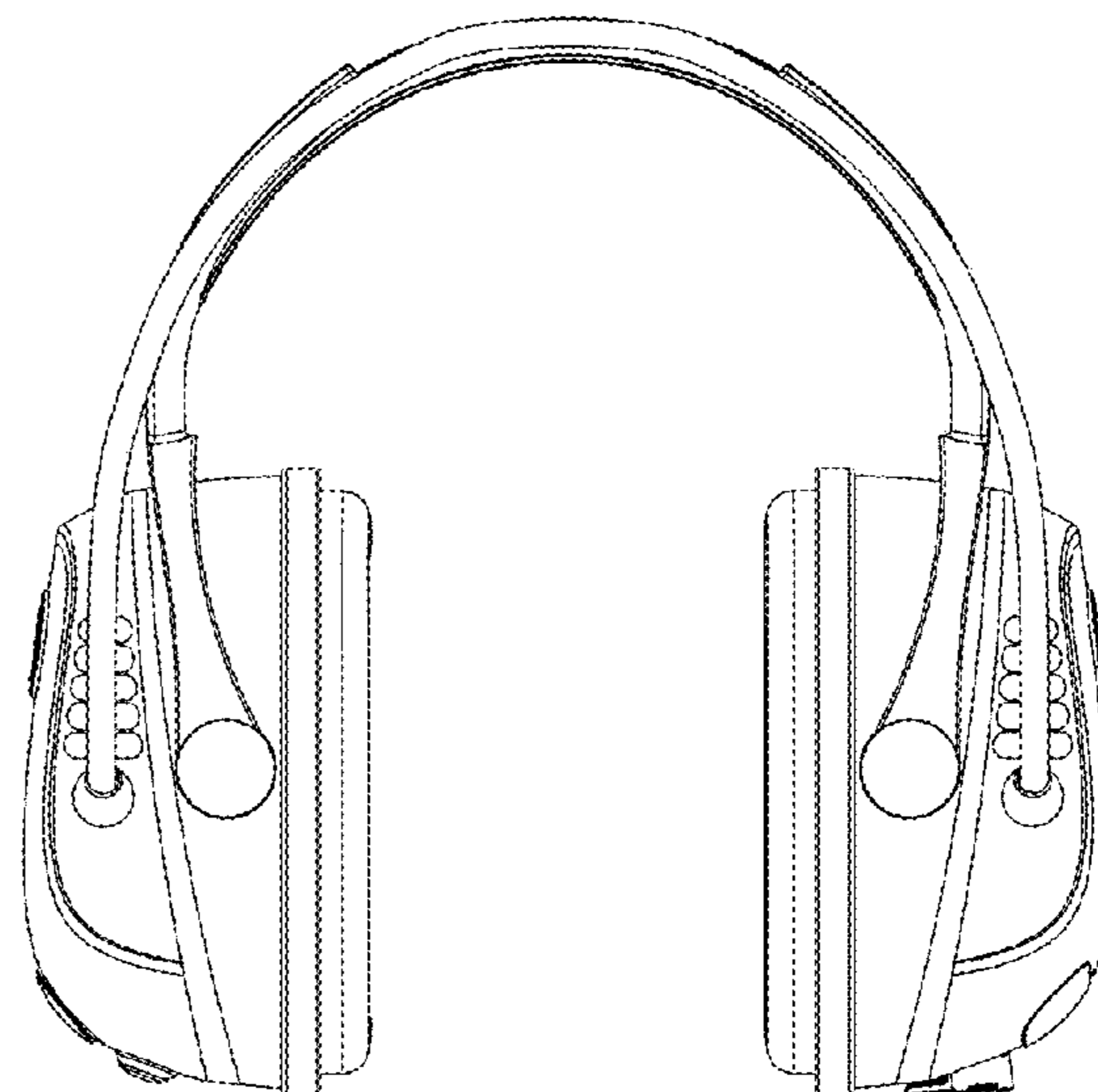
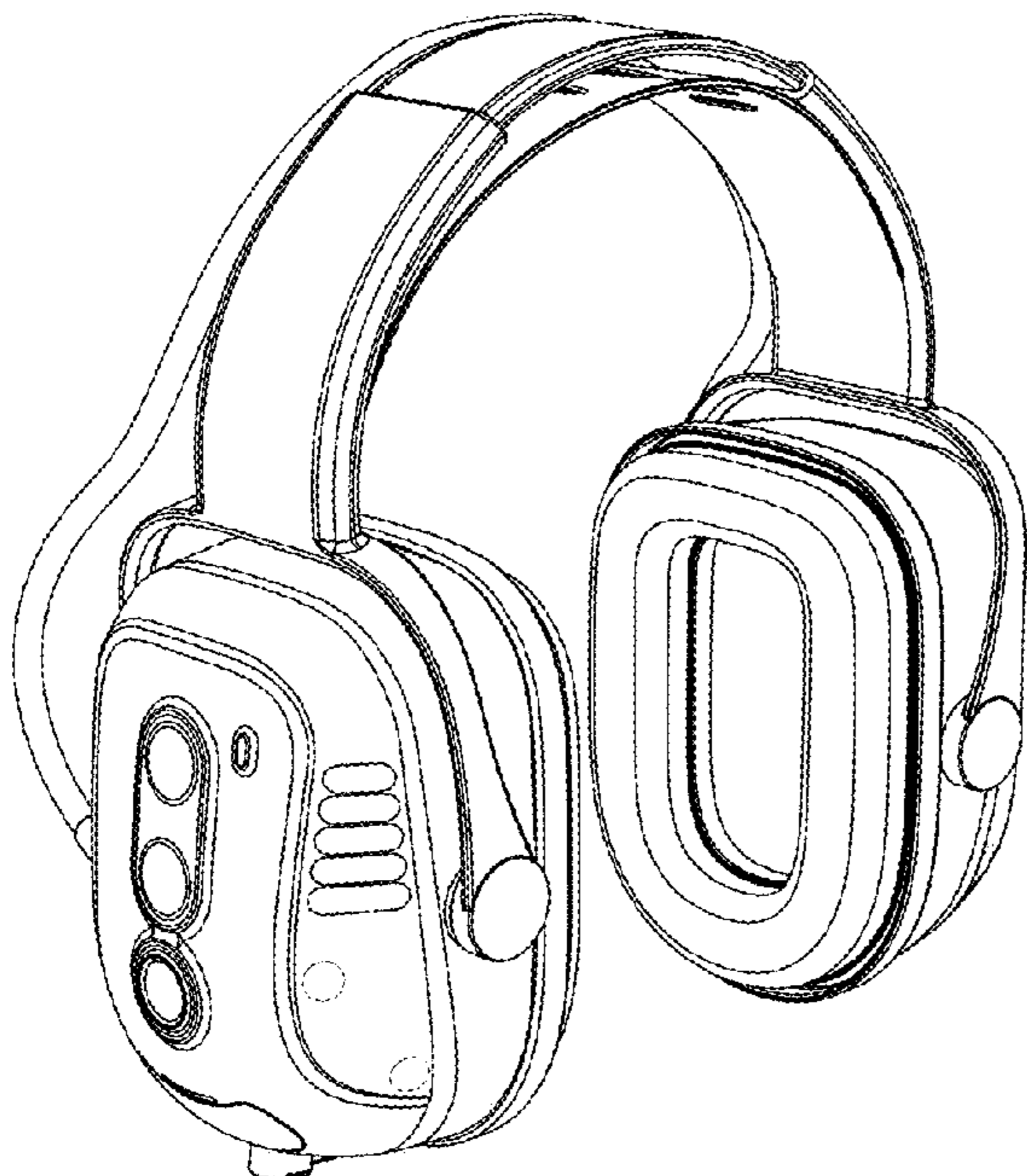
FIG. 5 is a right side view of the design of FIG. 1;

FIG. 6 is a left side view of the design of FIG. 1;

FIG. 7 is a top view of the design of FIG. 1; and,

FIG. 8 is a bottom view of the design of FIG. 1.

**1 Claim, 8 Drawing Sheets**



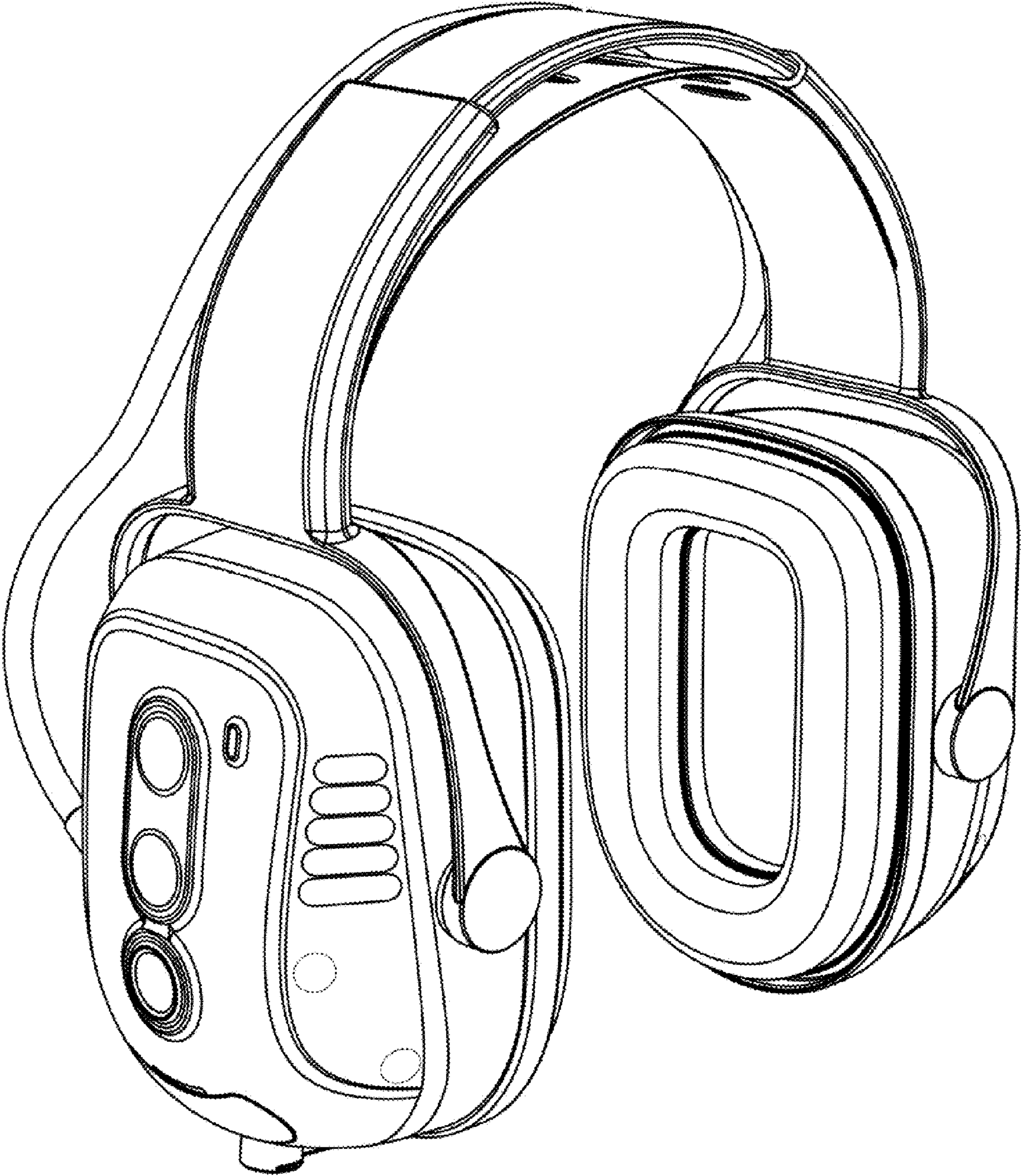


FIG. 1



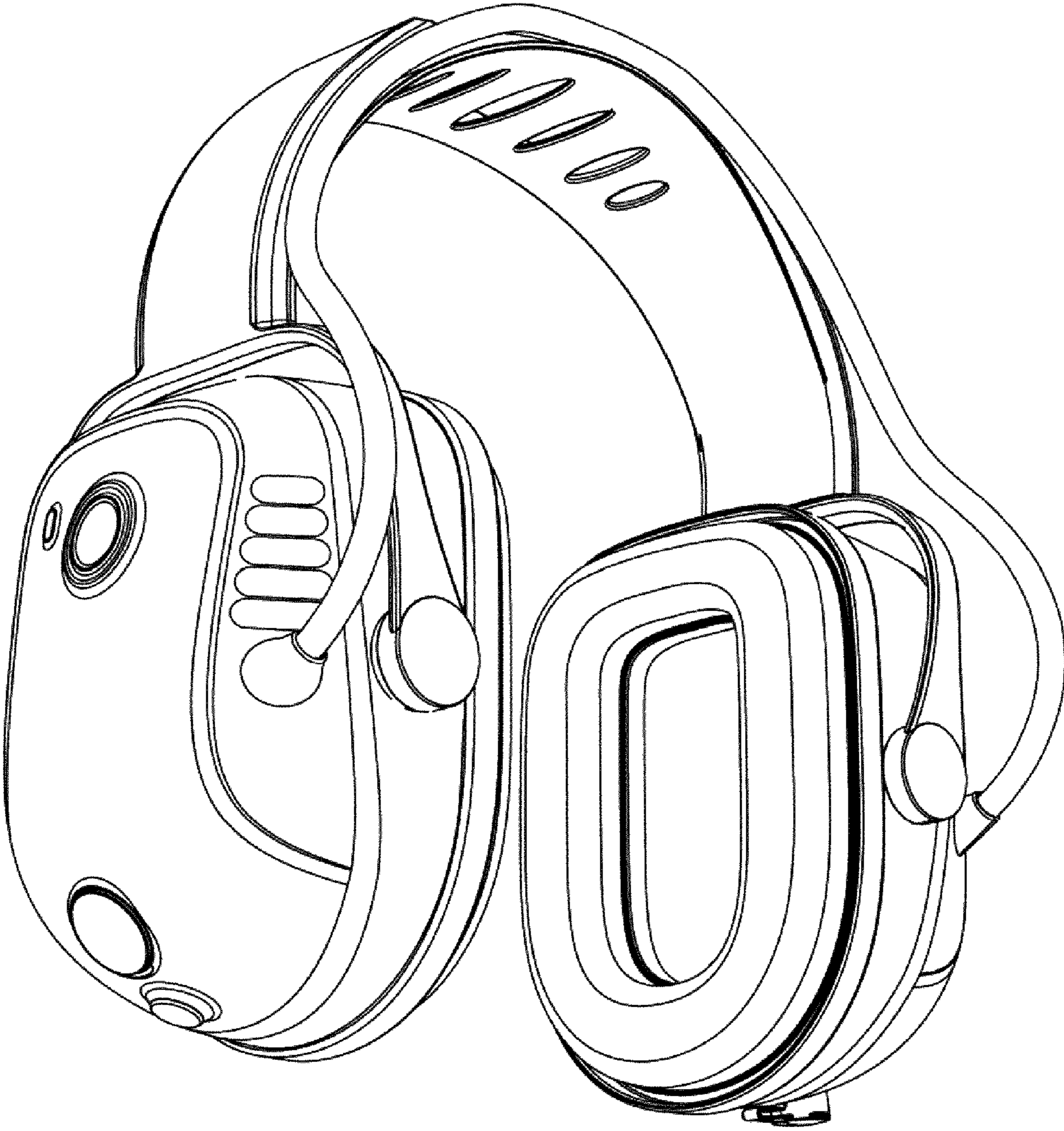


FIG. 2



FIG. 3



FIG. 4



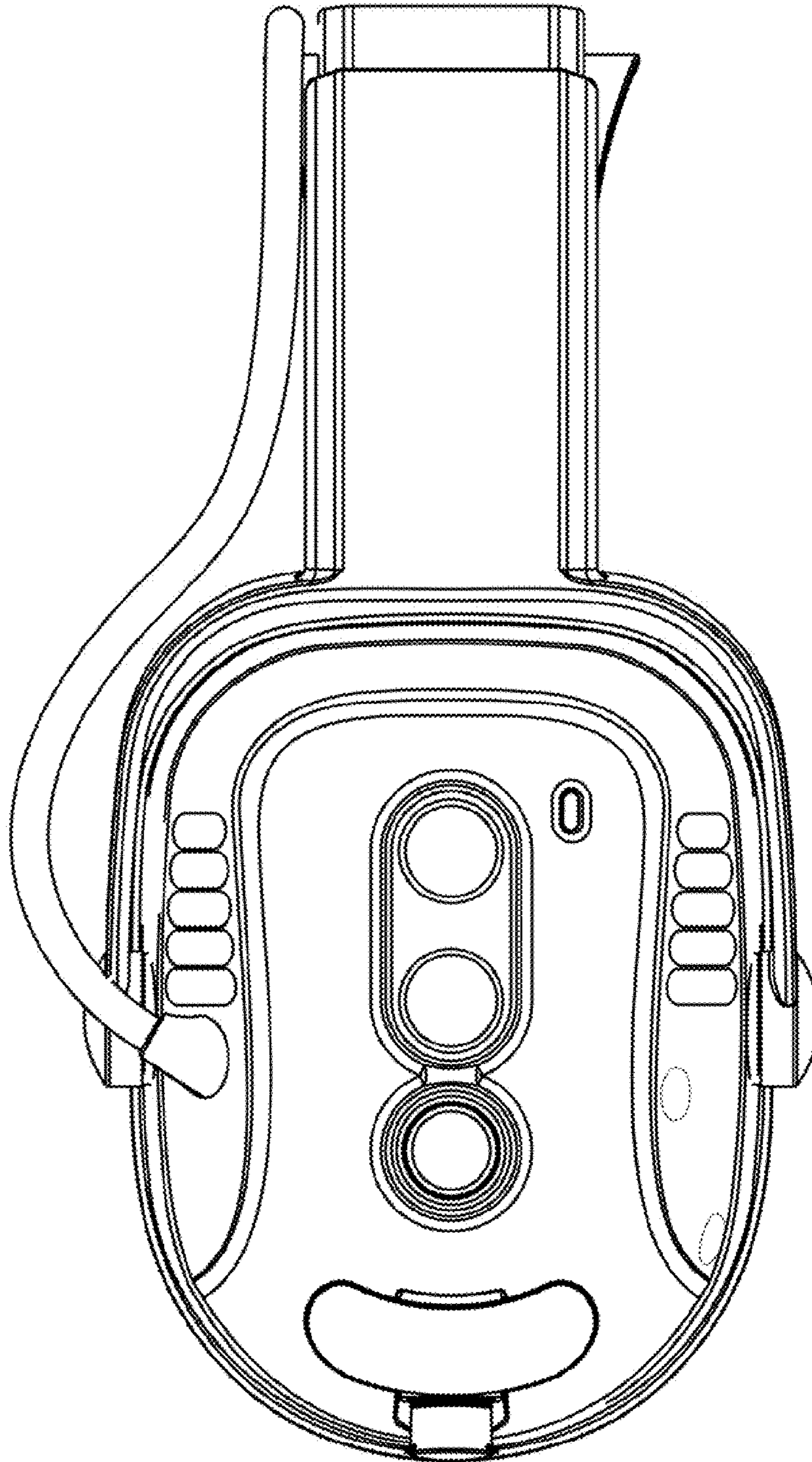


FIG. 5

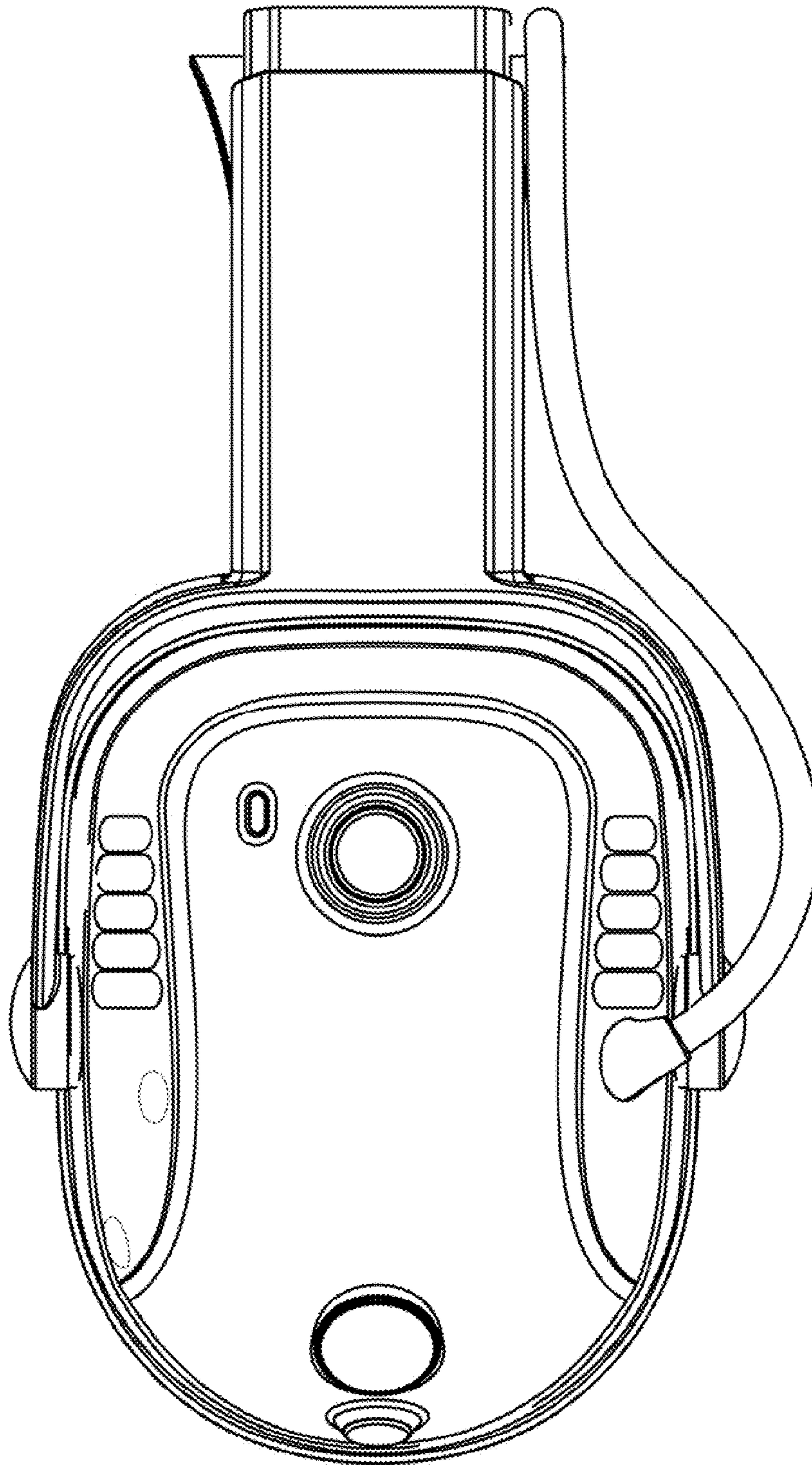


FIG. 6

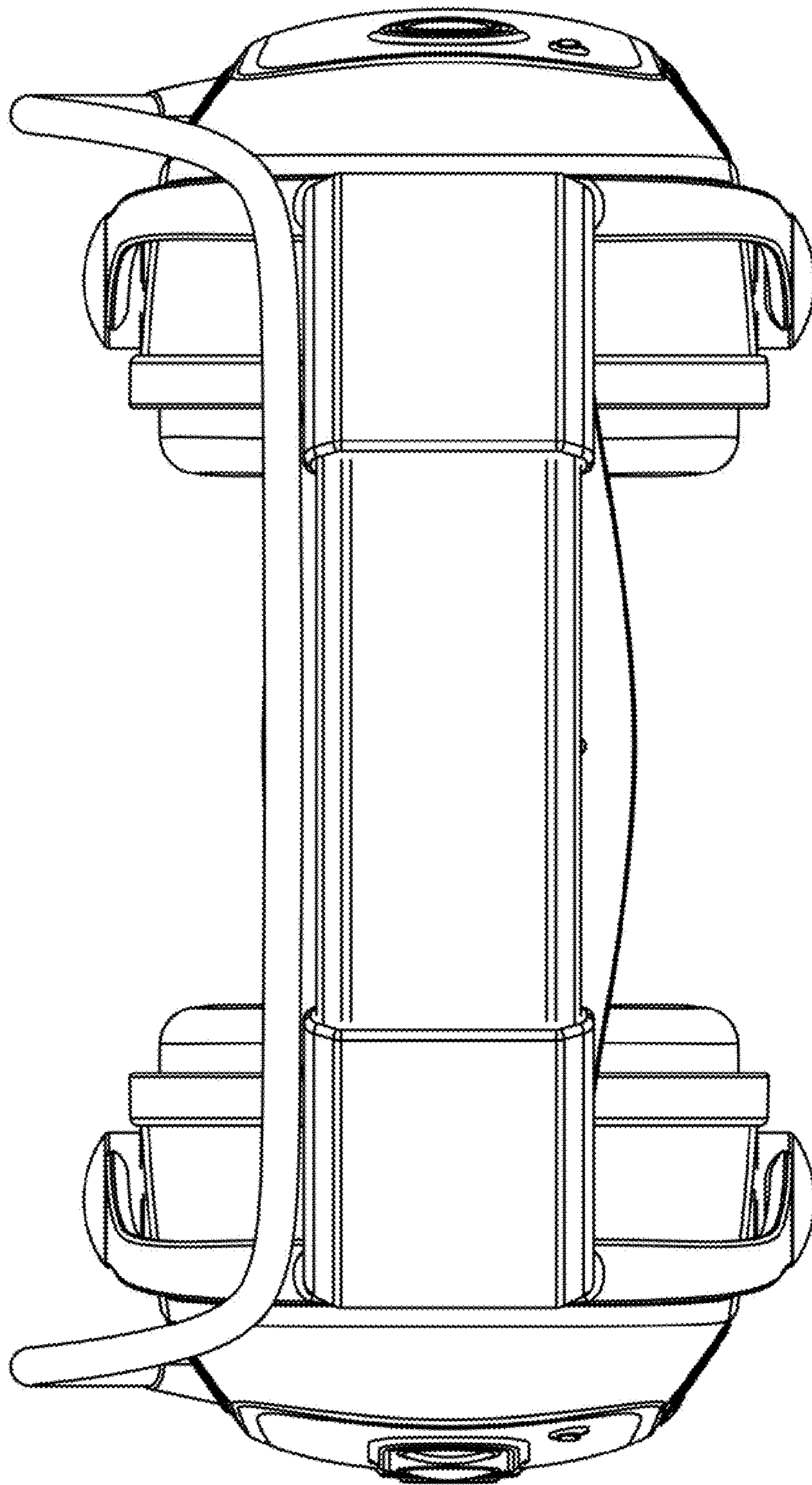


FIG. 7



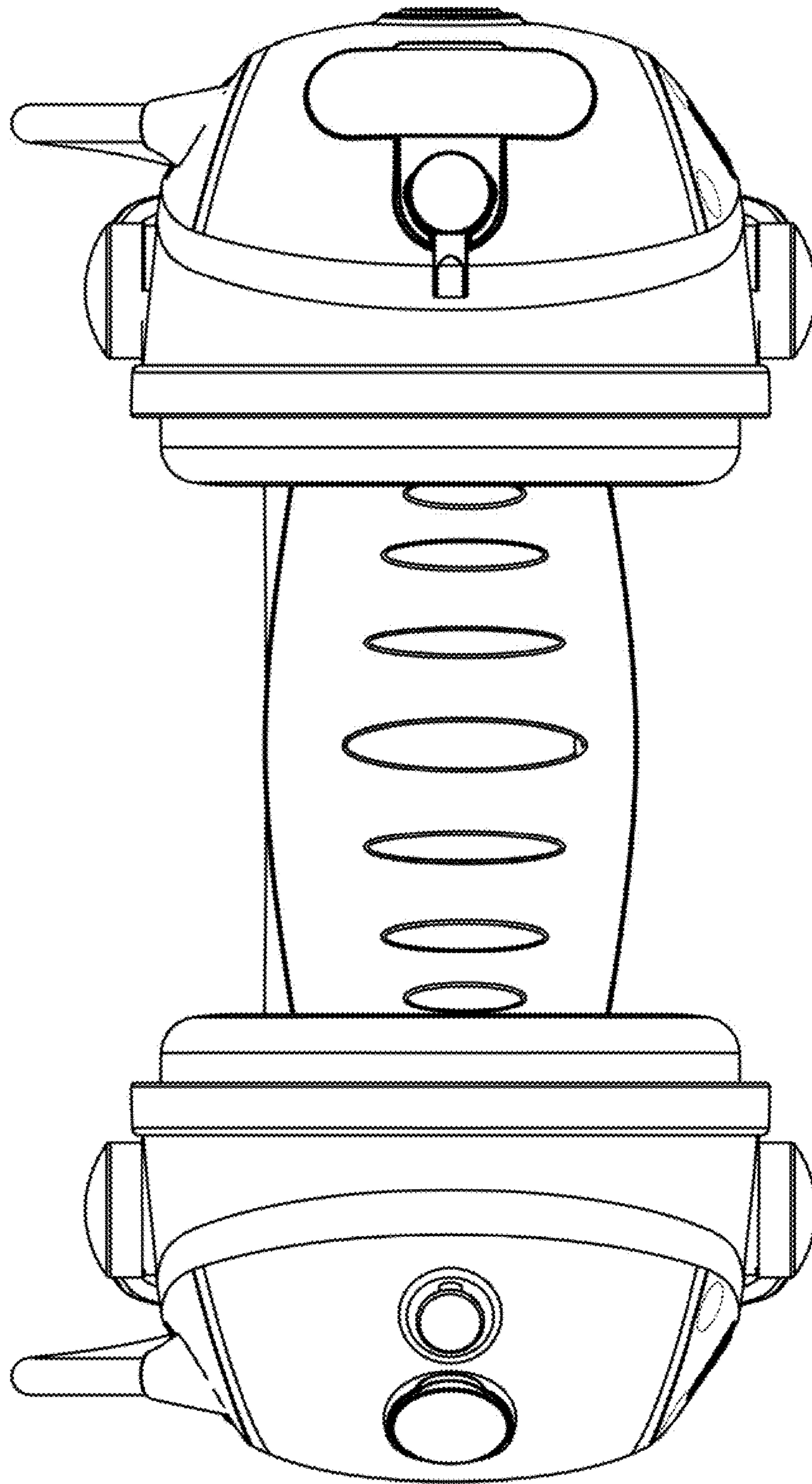


FIG. 8