



US00D633888S

(12) **United States Design Patent**
Eguchi

(10) **Patent No.:** **US D633,888 S**
(45) **Date of Patent:** **** Mar. 8, 2011**

(54) **HANDSET**

(75) Inventor: **Shunjiro Eguchi**, Espoo (FI)

(73) Assignee: **Nokia Corporation**, Espoo (FI)

(**) Term: **14 Years**

(21) Appl. No.: **29/359,907**

(22) Filed: **Apr. 16, 2010**

(51) **LOC (9) Cl.** **14-03**

(52) **U.S. Cl.** **D14/138 AD; D14/138 G**

(58) **Field of Classification Search** D14/138 R,
D14/138 AD, 138 AC, 138 C, 138 G, 191,
D14/203.1–203.8, 496, 138 AA, 138 AB,
D14/137, 147, 218, 341–347, 247–248; D10/65,
D10/78, 104; D13/168; D18/7; 455/566,
455/575.1, 575.3, 575.4

See application file for complete search history.

(56) **References Cited**

U.S. PATENT DOCUMENTS

D423,468 S	*	4/2000	Jenkins	D14/342
D505,676 S	*	5/2005	Porter et al.	D14/388
D555,137 S	*	11/2007	Kim et al.	D14/138 AD
D559,215 S		1/2008	Eguchi		
D562,795 S	*	2/2008	Nara	D14/138 AD
D585,411 S		1/2009	Eaton		
D590,825 S	*	4/2009	Liu	D14/341
D592,212 S	*	5/2009	Hamada et al.	D14/346
D593,059 S	*	5/2009	Kim et al.	D14/138 G
D594,843 S		6/2009	Mitchell et al.		
D597,537 S		8/2009	Eaton		
D602,463 S		10/2009	Eguchi		
D602,901 S		10/2009	Eguchi et al.		
D604,285 S	*	11/2009	Madsen et al.	D14/248
D606,507 S	*	12/2009	Kim et al.	D14/138 G

(Continued)

OTHER PUBLICATIONS

LG GC900 Viewty Smart, announced Apr. 2009, [online], [retrieved on Apr. 16, 2009]. Retrieved from Internet ,<URL: <http://www.gsmarena.com>>.*

Nokia N8, announced Apr. 2010, [online], [retrieved on Jun. 11, 2010]. Retrieved from Internet ,<URL: <http://www.gsmarena.com>>.*

Nokia E7, announced Sep. 2010, [online], [retrieved on Sep. 29, 2010]. Retrieved from Internet ,<URL: <http://www.gsmarena.com>>.*

(Continued)

Primary Examiner—Bridget L Eland

(74) *Attorney, Agent, or Firm*—Banner & Witcoff, Ltd

(57) **CLAIM**

I claim, the ornamental design for a handset, as shown and described.

DESCRIPTION

FIG. 1 is a perspective front view of a handset showing my new design;

FIG. 2 is a front view thereof;

FIG. 3 is a rear view thereof;

FIG. 4 is a top view thereof;

FIG. 5 is a bottom view thereof;

FIG. 6 is a left side view thereof;

FIG. 7 is a right side view thereof;

FIG. 8 is a perspective front view of a handset showing my new design;

FIG. 9 is a front view thereof;

FIG. 10 is a rear view thereof;

FIG. 11 is a top view thereof;

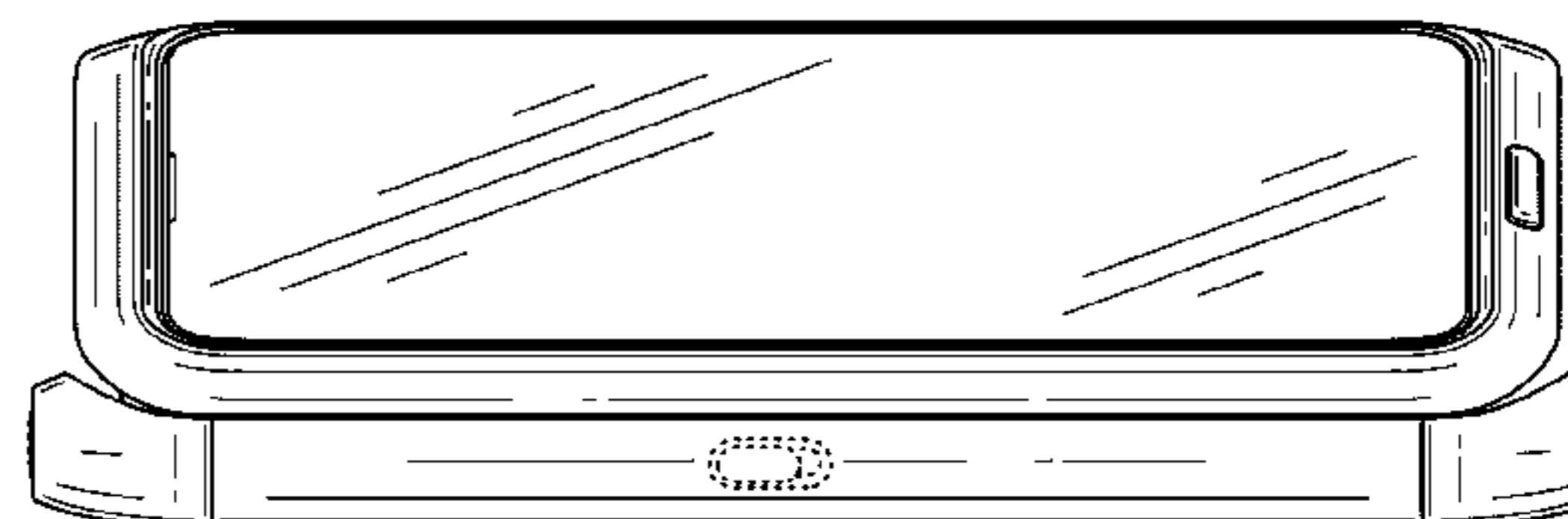
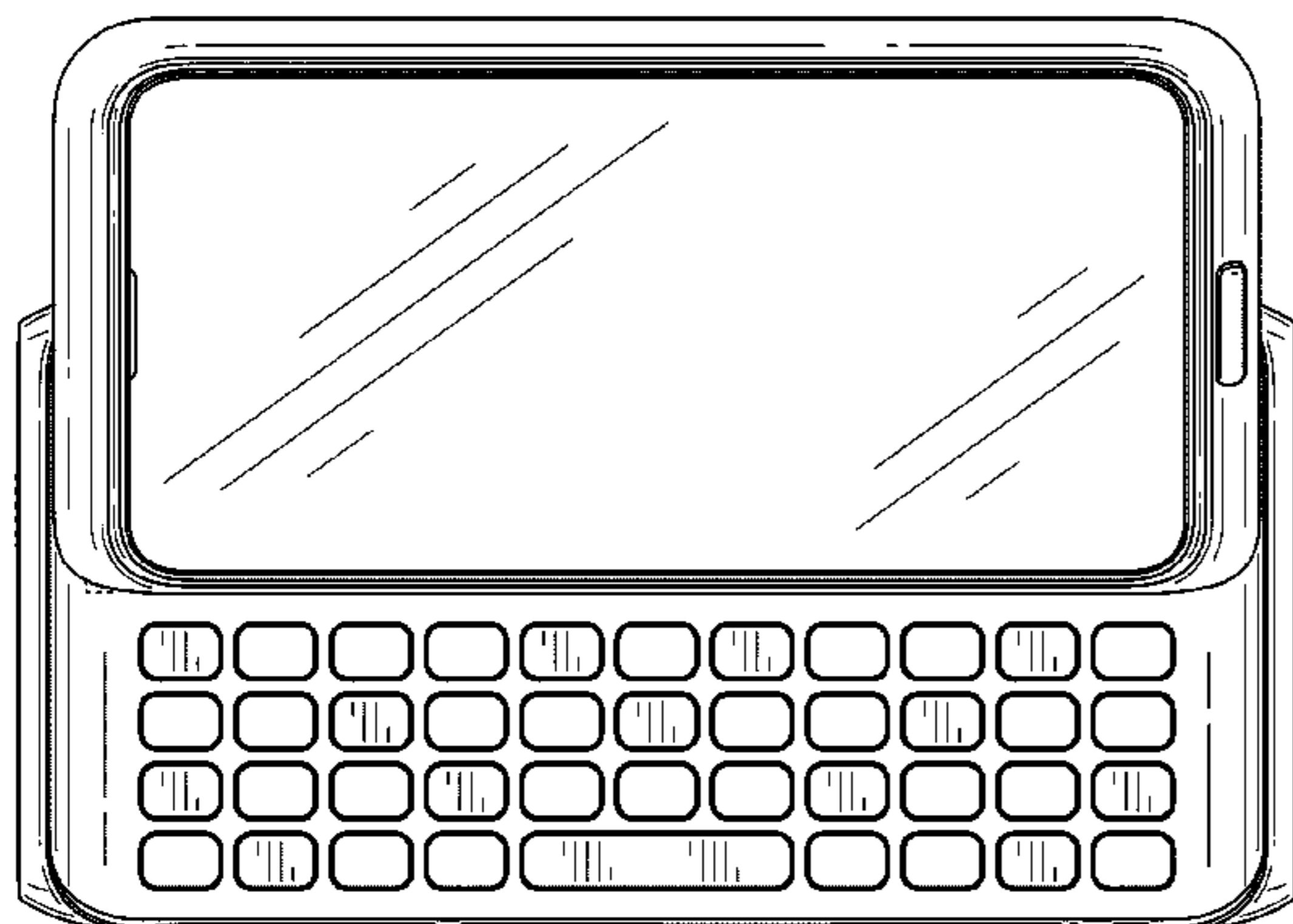
FIG. 12 is a bottom view thereof;

FIG. 13 is a left side view thereof; and,

FIG. 14 is a right side view thereof.

The broken lines immediately adjacent the shaded areas represent the bounds of the embodiment in which they are shown while all other broken lines are directed to environment and are for illustrative purposes only; the broken lines form no part of the embodiment in which they are shown.

1 Claim, 10 Drawing Sheets



U.S. PATENT DOCUMENTS

D606,961 S 12/2009 Aarras
D608,327 S * 1/2010 Cigliano et al. D14/138 AD
D611,924 S * 3/2010 Ou et al. D14/138 AD
D613,261 S * 4/2010 Cigliano et al. D14/138 AD
D613,722 S * 4/2010 Kaneta D14/138 G
D615,059 S * 5/2010 Price et al. D14/138 G
D620,467 S * 7/2010 Aarras D14/138 G
D622,250 S * 8/2010 Kwon et al. D14/138 G
2005/0043063 A1 * 2/2005 Dinn 455/566
2008/0004085 A1 * 1/2008 Jung et al. 455/566
2009/0149204 A1 * 6/2009 Riley et al. 455/466

OTHER PUBLICATIONS

Sony Ericsson Aino, announced May 2009, [online], [retrieved on Jun. 12, 2009]. Retrieved from Internet ,<URL: <http://www.gsmarena.com>>.*

LG Fathom, announced May 2010, [online], [retrieved on Jun. 11, 2010]. Retrieved from Internet ,<URL: <http://www.gsmarena.com>>.*

Nokia N810 Wimax, Nokia Corporation, 1 color sheet of photographs, disclosed on or about Oct. 2007.

Nokia N97, Nokia Corporation, 1 color sheet of photographs, disclosed on or about Nov. 2008.

* cited by examiner

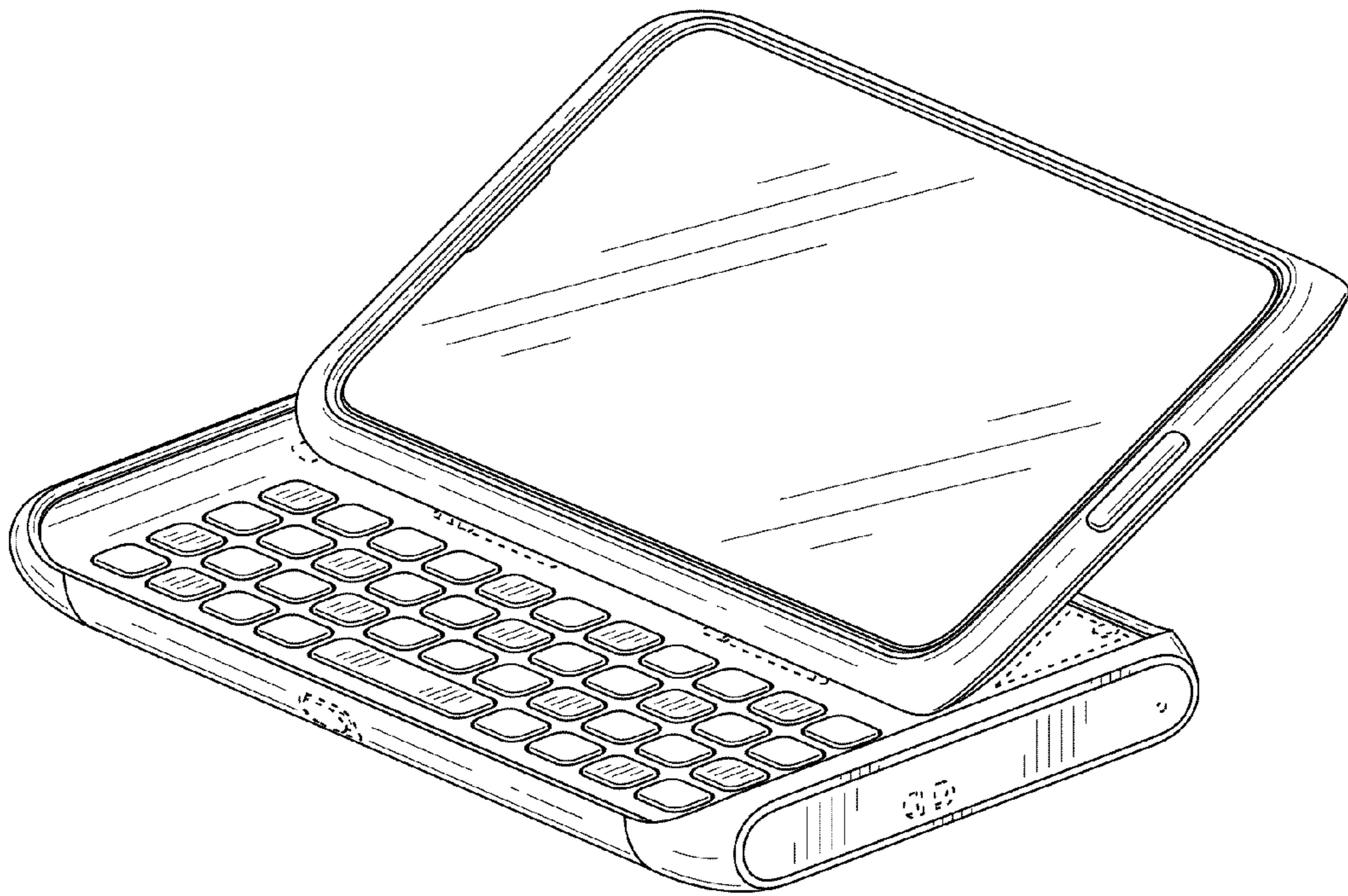


FIG. 1

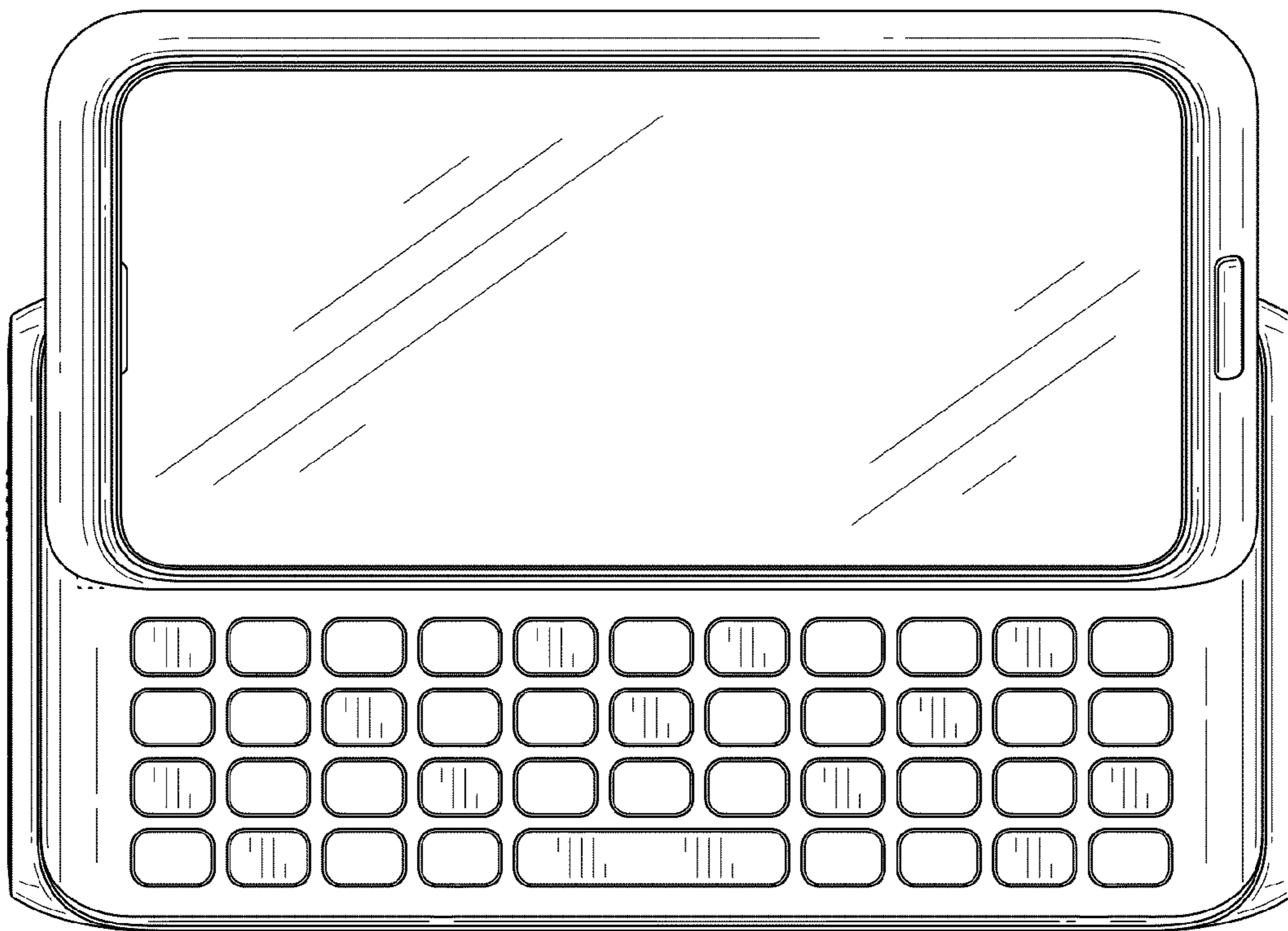


FIG. 2

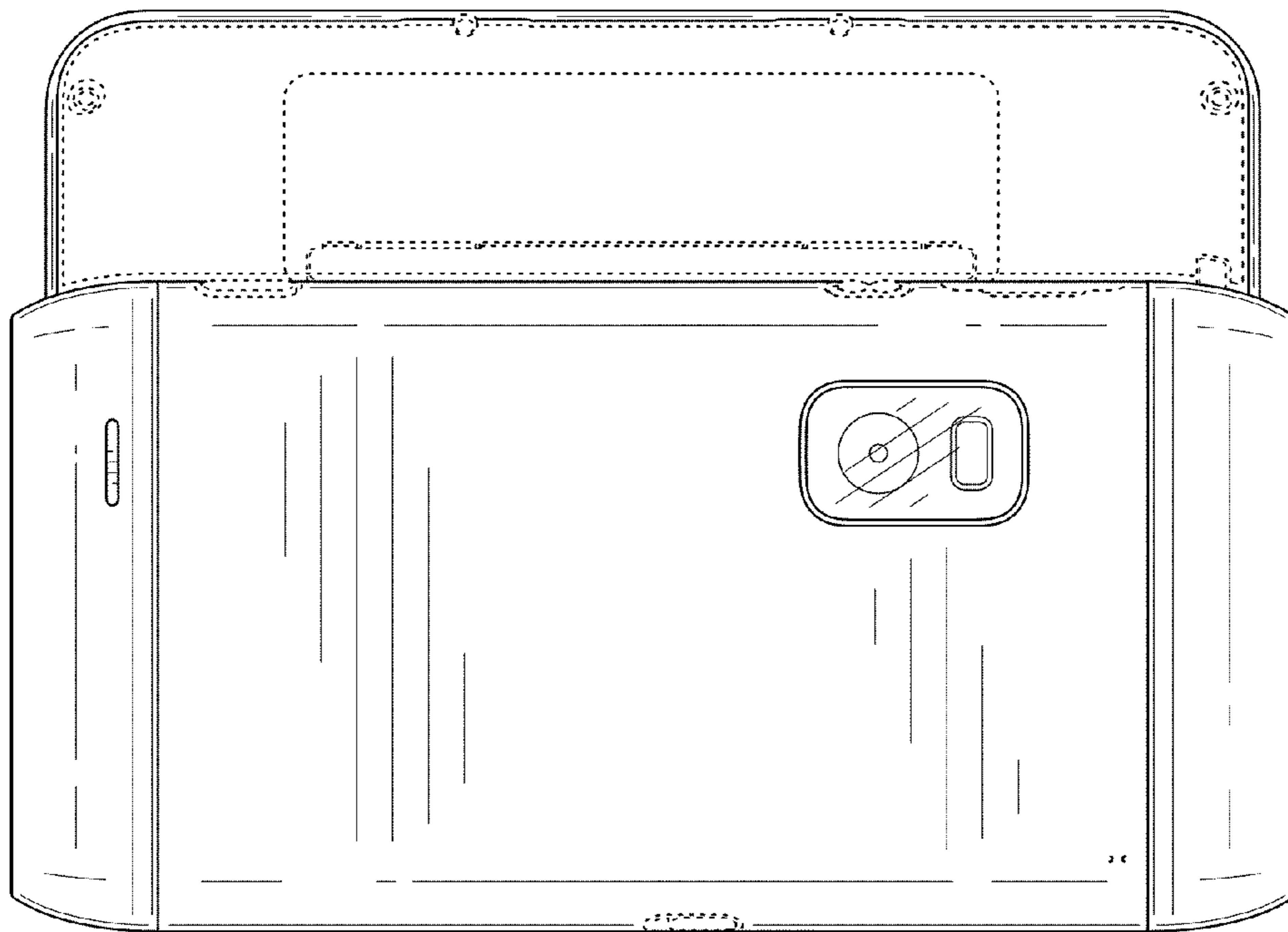


FIG. 3

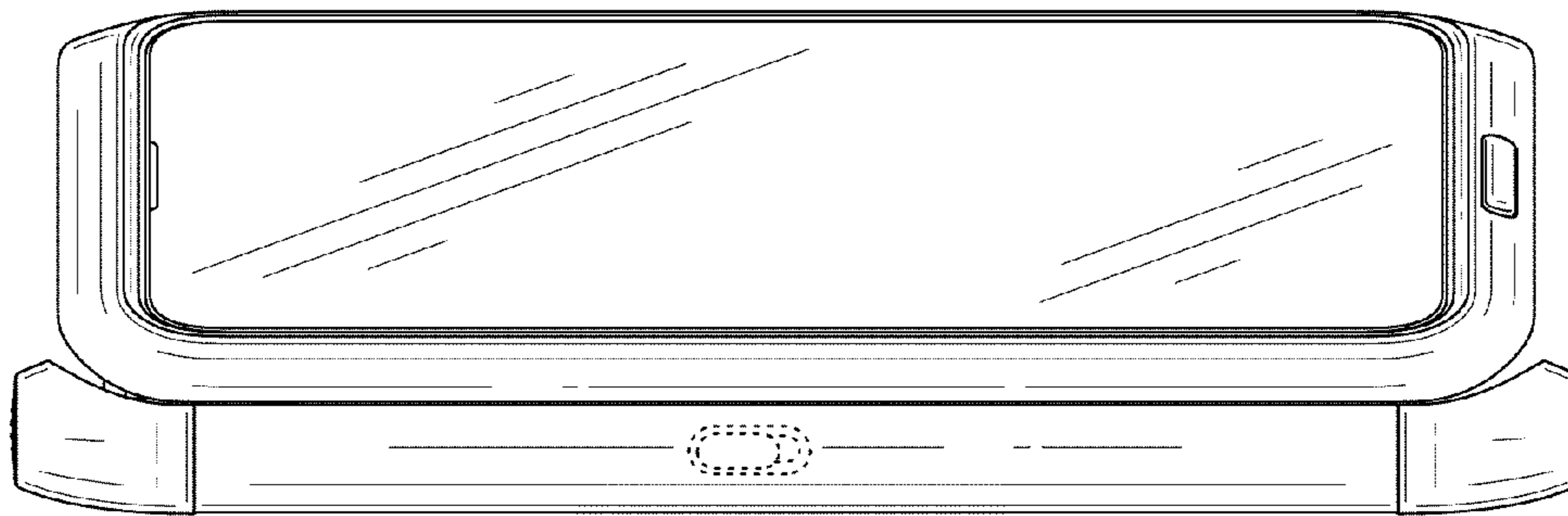


FIG. 4

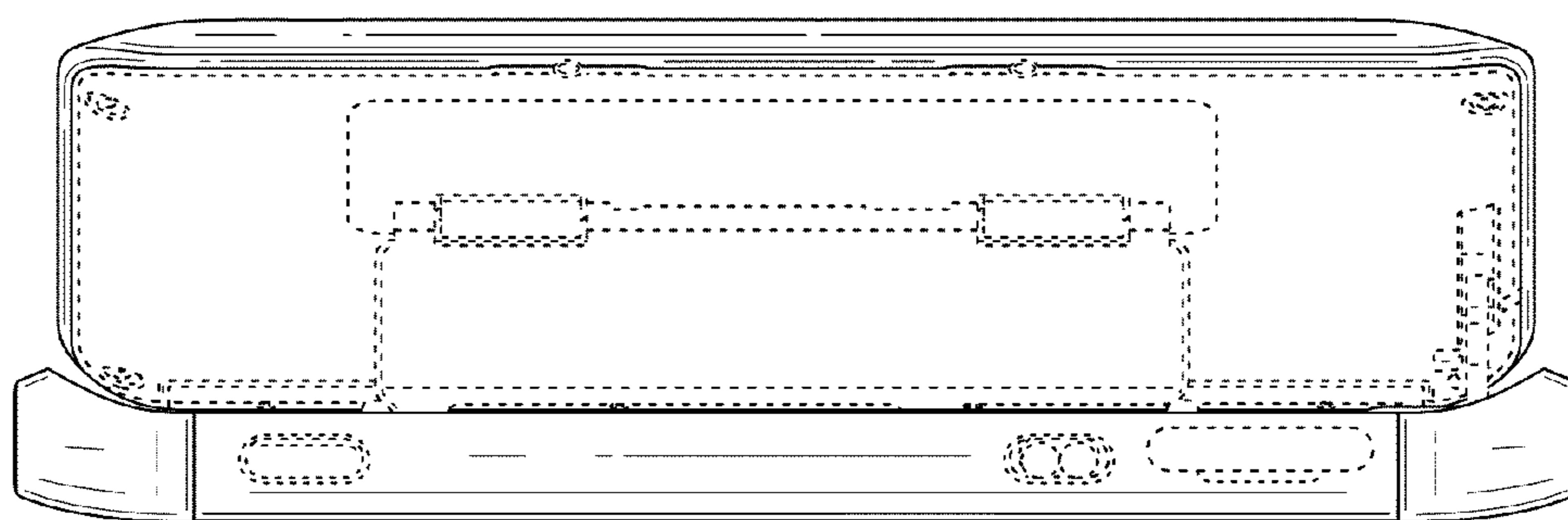


FIG. 5

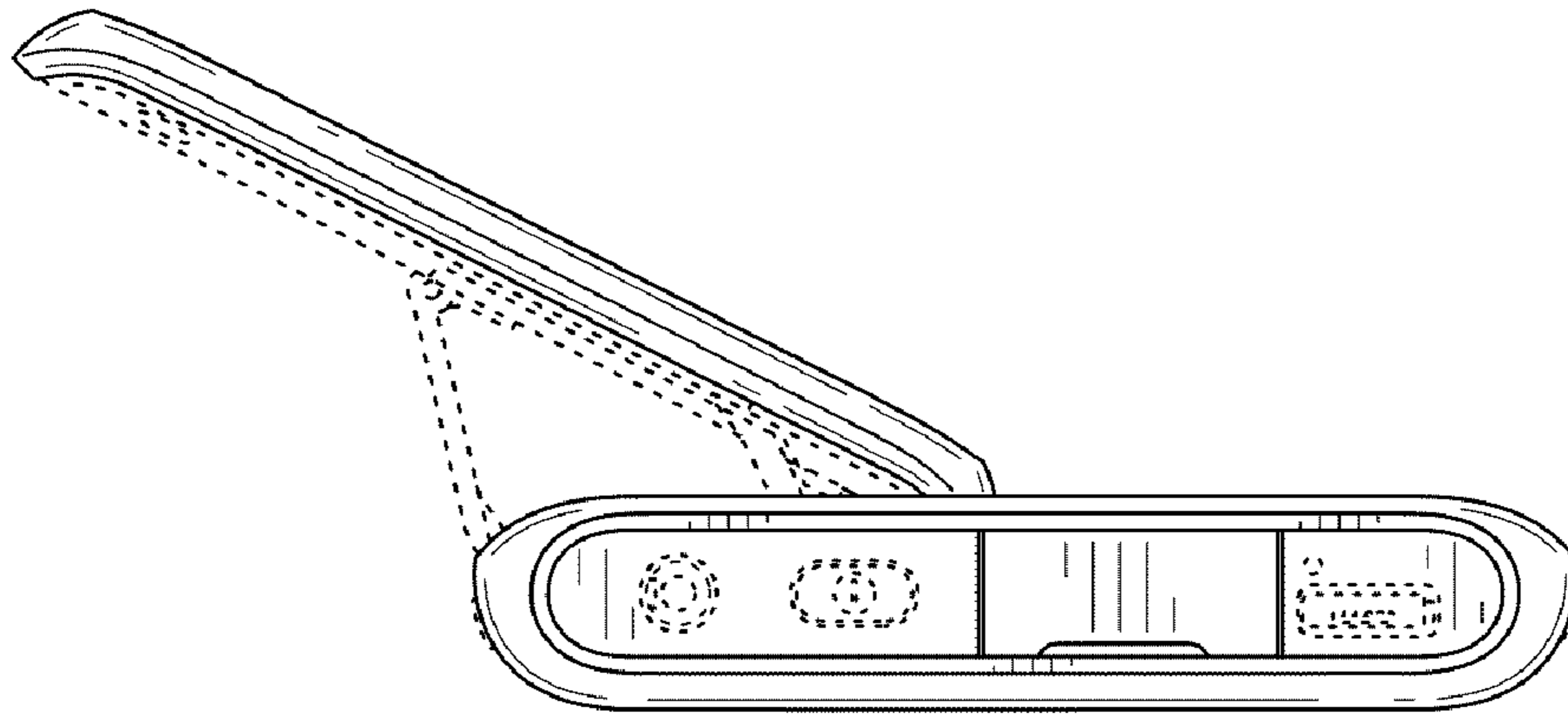


FIG. 6

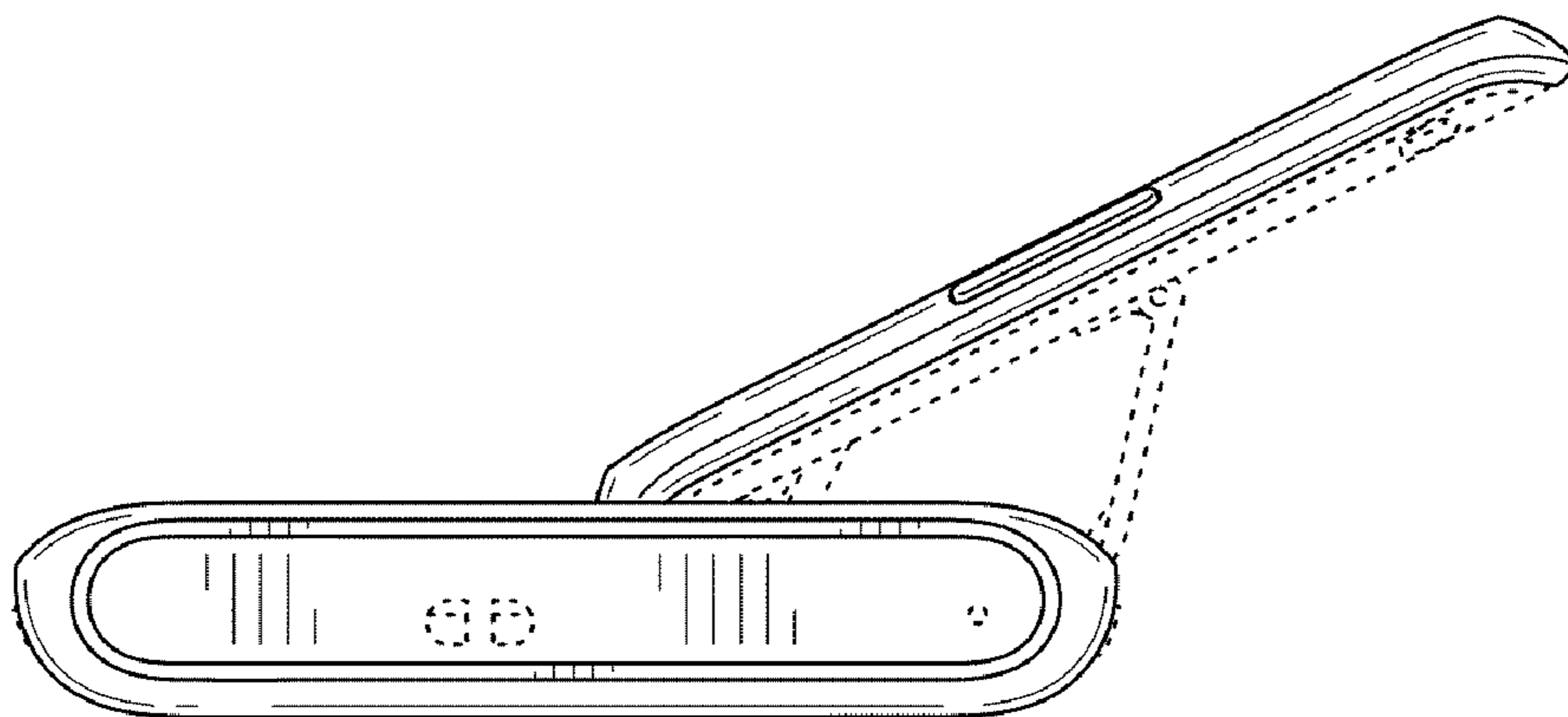


FIG. 7

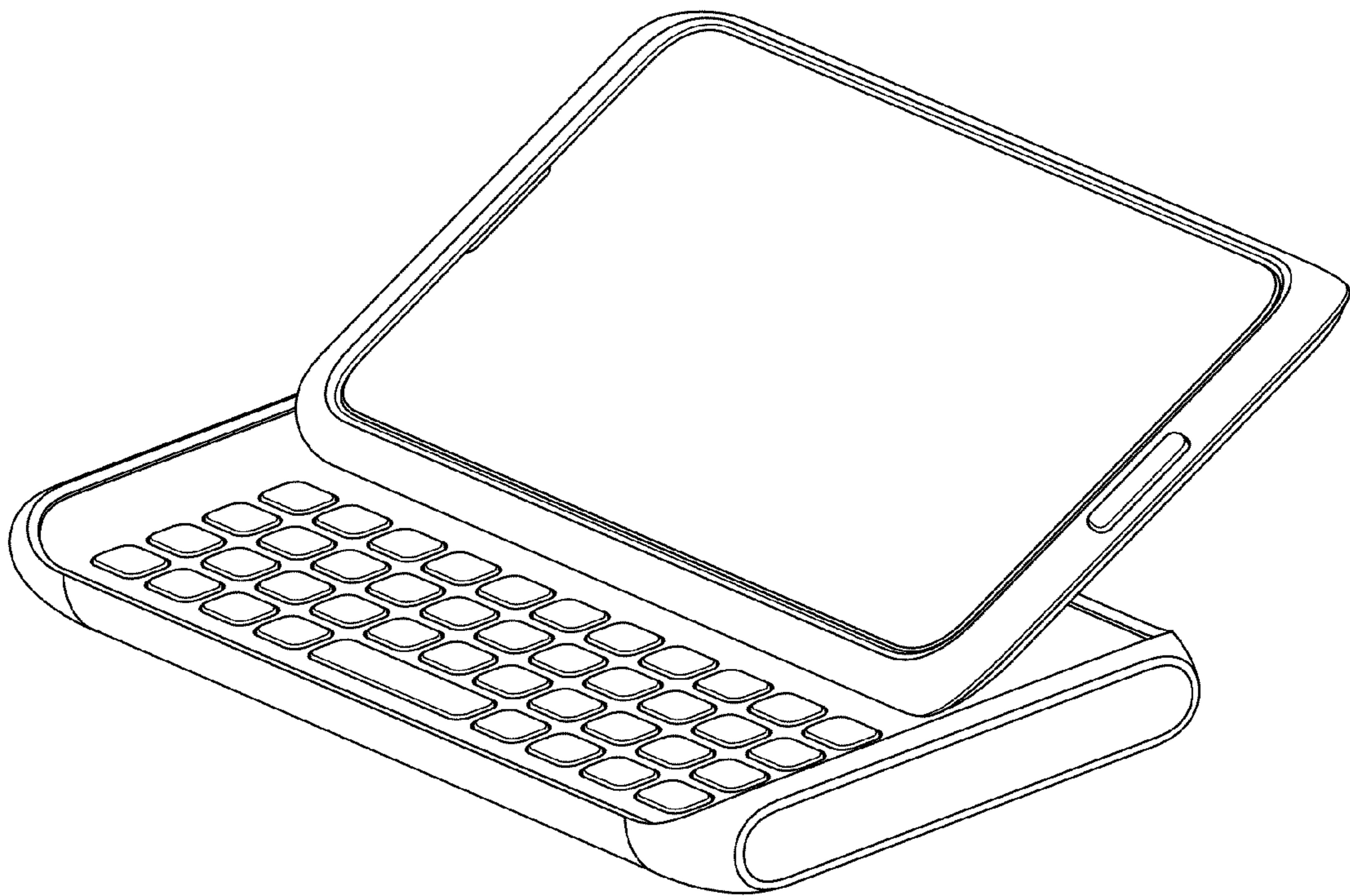


FIG. 8

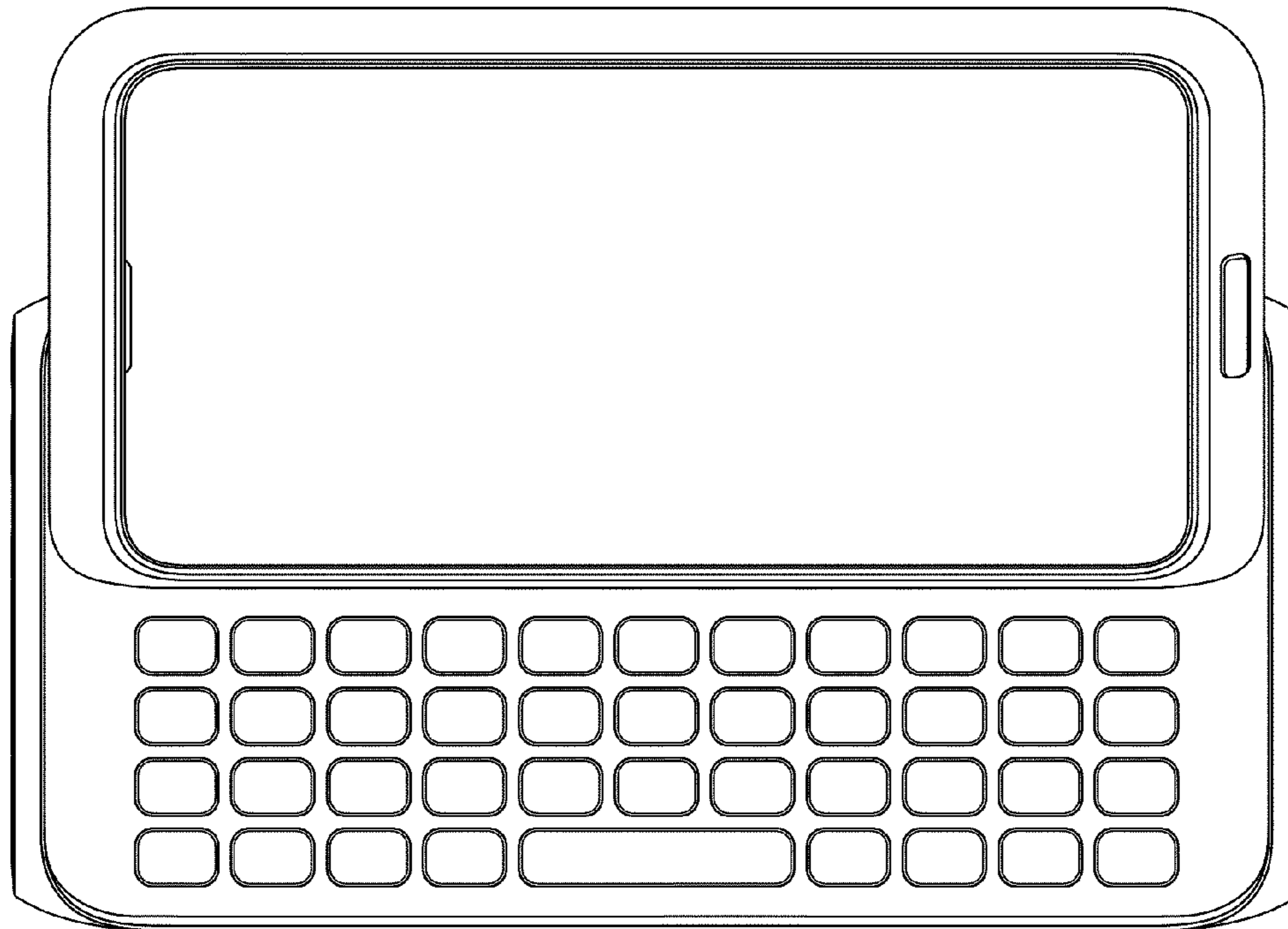


FIG. 9

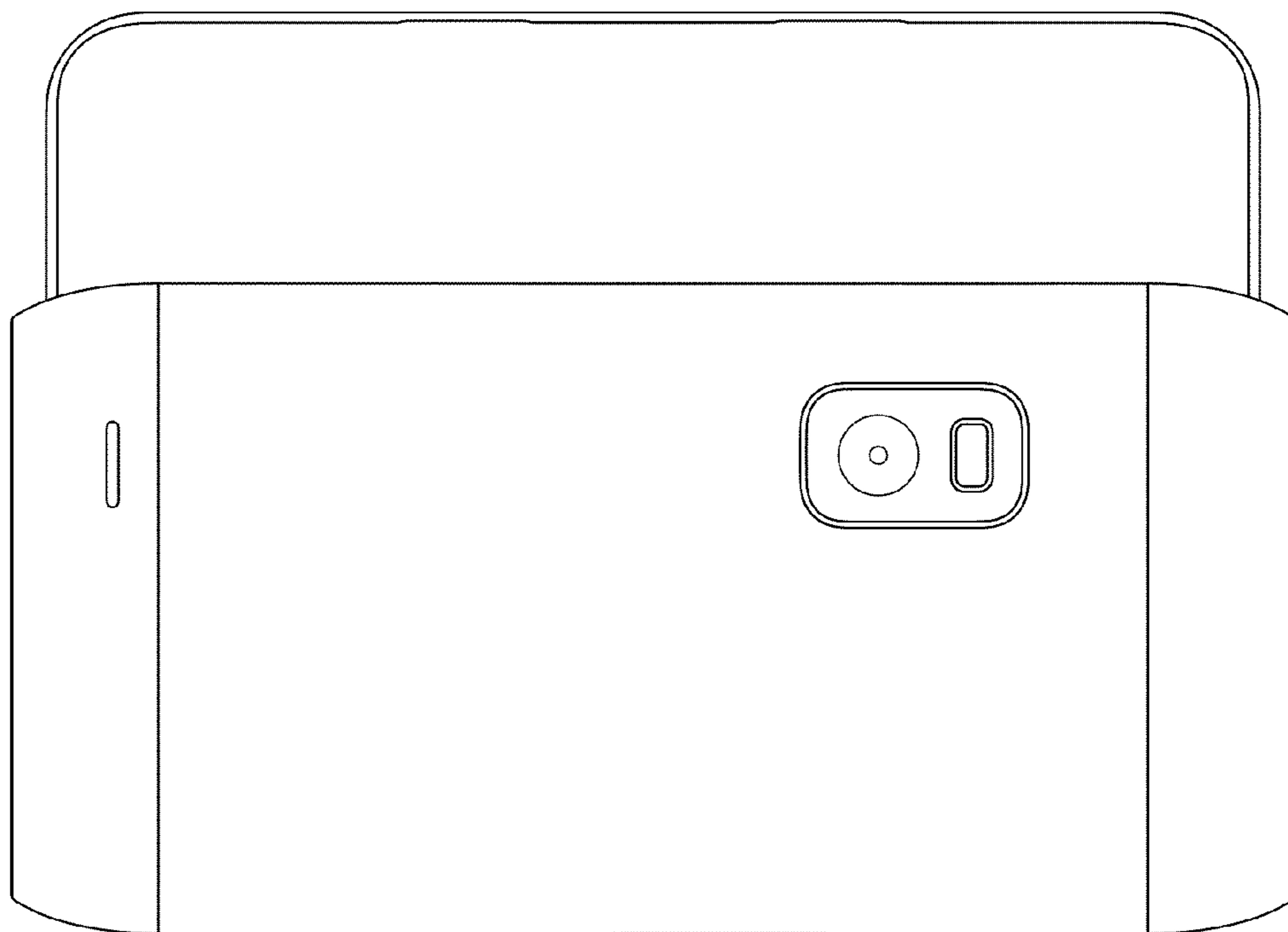


FIG. 10

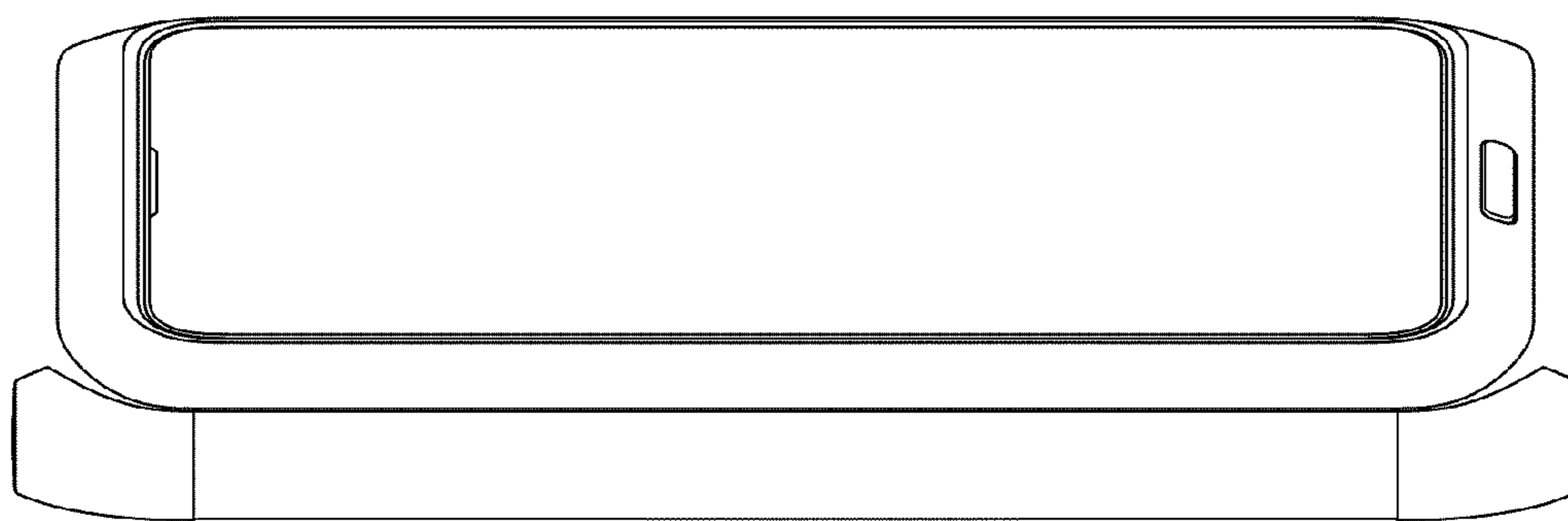


FIG. 11

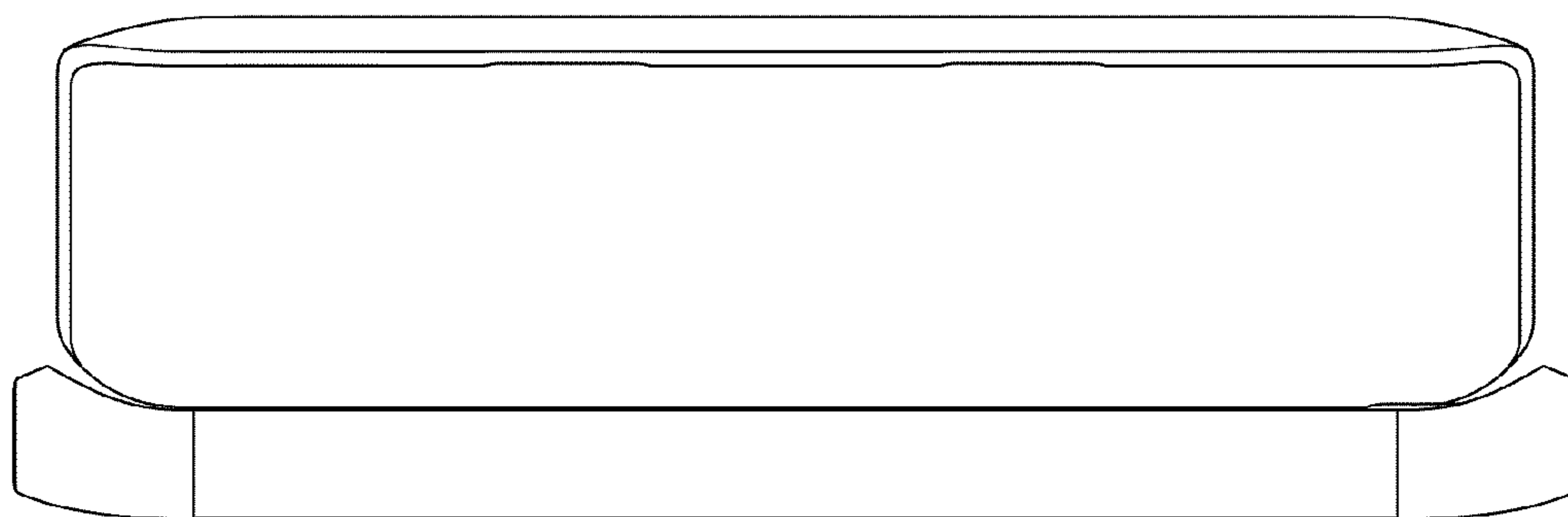


FIG. 12

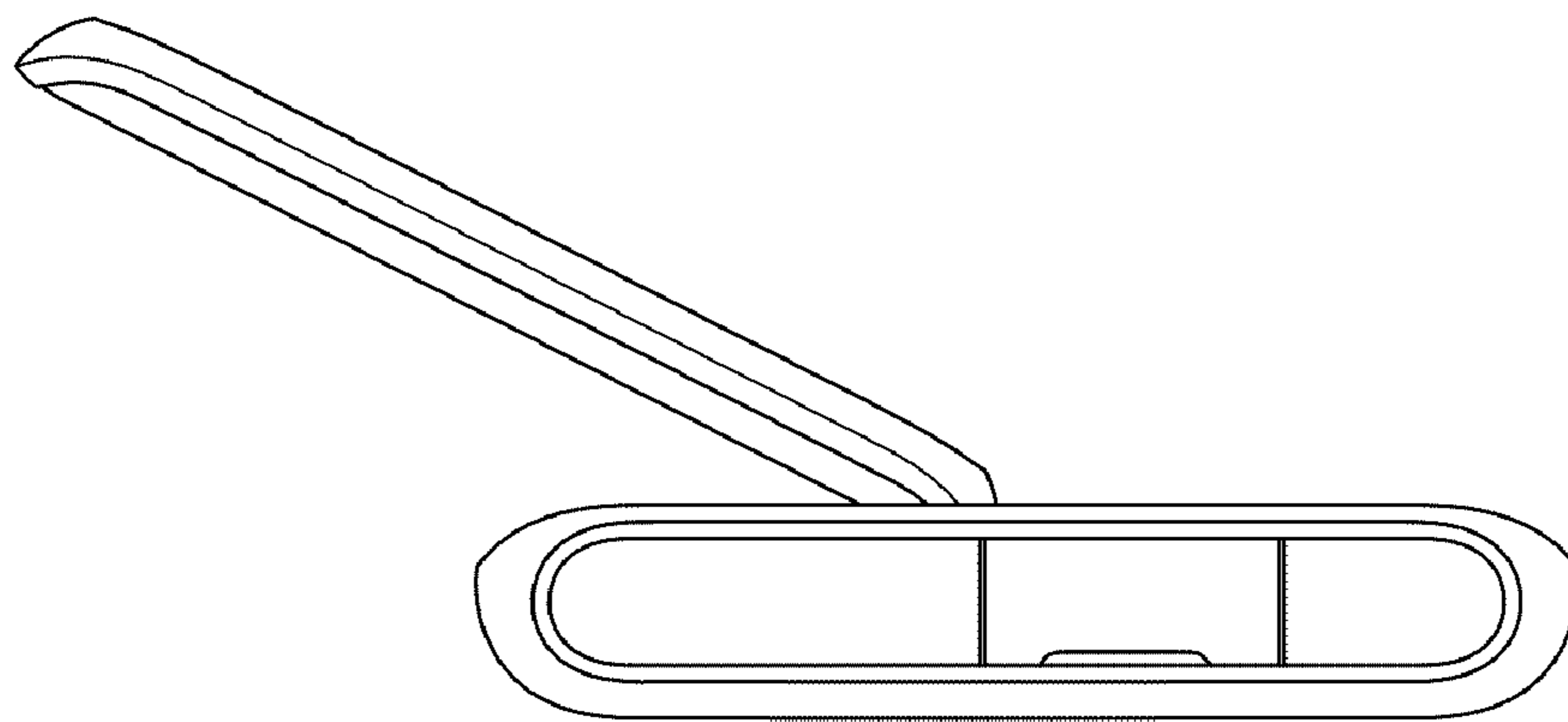


FIG. 13

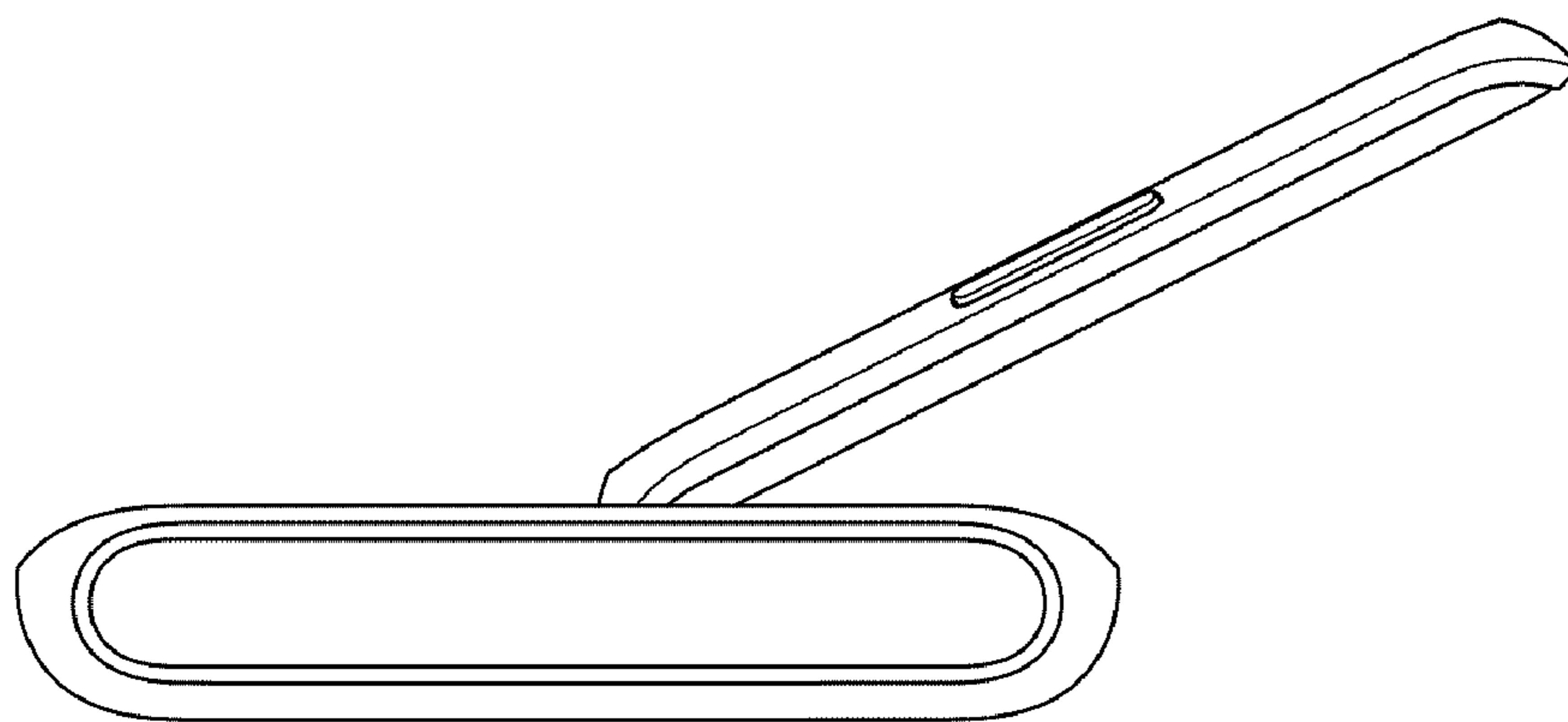


FIG. 14