



US00D633878S

(12) **United States Design Patent**  
**Heng et al.**

(10) **Patent No.:** **US D633,878 S**  
(45) **Date of Patent:** **\*\* Mar. 8, 2011**

(54) **SOCKET COVER CAP**  
(75) Inventors: **Stephen Heng**, Las Gatos, CA (US); **Ali Hassanzadeh**, Fremont, CA (US); **Mahesh Hardikar**, San Jose, CA (US); **Srikumar Seshasayee**, San Jose, CA (US)  
(73) Assignee: **Advanced Micro Devices, Inc.**, Sunnyvale, CA (US)

(\*\*) Term: **14 Years**

(21) Appl. No.: **29/358,436**

(22) Filed: **Mar. 26, 2010**

(51) **LOC (9) Cl.** ..... **13-03**

(52) **U.S. Cl.** ..... **D13/182**

(58) **Field of Classification Search** ..... D13/182;  
439/70, 71, 72, 73, 74, 330, 331, 620.2  
See application file for complete search history.

(56) **References Cited**

U.S. PATENT DOCUMENTS

D288,803	S *	3/1987	Capawana	.....	D13/182
D295,401	S *	4/1988	Klees	.....	D13/182
4,918,513	A *	4/1990	Kurose et al.	.....	439/73
D313,686	S *	1/1991	Vitek	.....	D13/182
5,486,771	A *	1/1996	Volz et al.	.....	324/755
D379,350	S *	5/1997	Kerklaan	.....	D13/182
D407,382	S *	3/1999	Acciaioli et al.	.....	D13/182
6,746,253	B1 *	6/2004	Ma	.....	439/71
6,805,562	B2 *	10/2004	Liao et al.	.....	439/68
7,014,488	B2 *	3/2006	Stone	.....	439/331
7,291,022	B2 *	11/2007	Toda et al.	.....	439/73
7,367,815	B2 *	5/2008	Ma	.....	439/71
7,374,446	B2 *	5/2008	Toda et al.	.....	439/342
7,396,248	B2 *	7/2008	Zhang	.....	439/331
7,435,103	B2 *	10/2008	Ma	.....	439/71
7,497,743	B2 *	3/2009	Tsai	.....	439/862
7,527,503	B1 *	5/2009	Polnyi	.....	439/71
7,666,020	B2 *	2/2010	Zhang et al.	.....	439/331

7,708,579	B2 *	5/2010	Yeh	.....	439/331
7,753,703	B2 *	7/2010	Liao et al.	.....	439/261
7,798,856	B2 *	9/2010	Liao	.....	439/620.2
2005/0233629	A1 *	10/2005	Tsai	.....	439/331
2005/0287837	A1 *	12/2005	Trobough	.....	439/71
2006/0199413	A1 *	9/2006	Ju	.....	439/331
2007/0173081	A1 *	7/2007	Yu et al.	.....	439/73
2008/0242138	A1 *	10/2008	Chang	.....	439/331
2010/0062623	A1 *	3/2010	Chen et al.	.....	439/73

OTHER PUBLICATIONS

Picture of Socket F design; from www.commons.wikimedia.org; Mar. 25, 2010.

Advanced Micro Devices; AMD Socket F (1207) Design Specification; Publication No. 31700; Revision 1.03; Mar., 2006.

U.S. Appl. No. 29/358,473; filed Mar. 26, 2010.

U.S. Appl. No. 29/358,435; filed Mar. 26, 2010.

U.S. Appl. No. 29/358,468; filed Mar. 26, 2010.

U.S. Appl. No. 29/358,472; filed Mar. 26, 2010.

U.S. Appl. No. 29/358,467; filed Mar. 26, 2010.

\* cited by examiner

Primary Examiner — Selina Sikder

(74) Attorney, Agent, or Firm — Vedder Price P.C.

(57) **CLAIM**

The ornamental design for a socket cover cap, as shown and described.

**DESCRIPTION**

FIG. 1 is a front perspective view of a socket cover cap;

FIG. 2 is a front view of the socket cover cap;

FIG. 3 is a top view of the socket cover cap;

FIG. 4 is a bottom view of the socket cover cap;

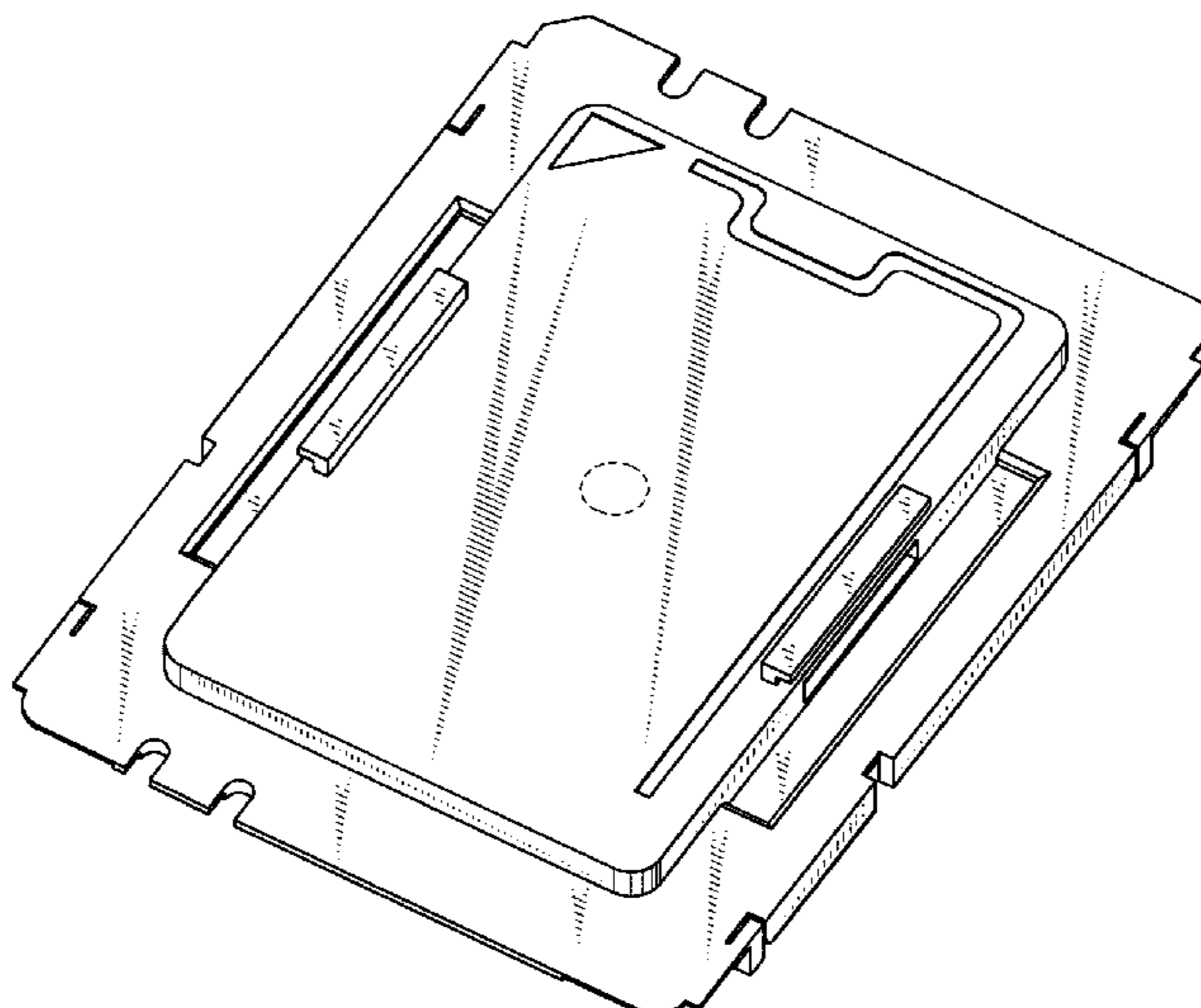
FIG. 5 is a left side view of the socket cover cap;

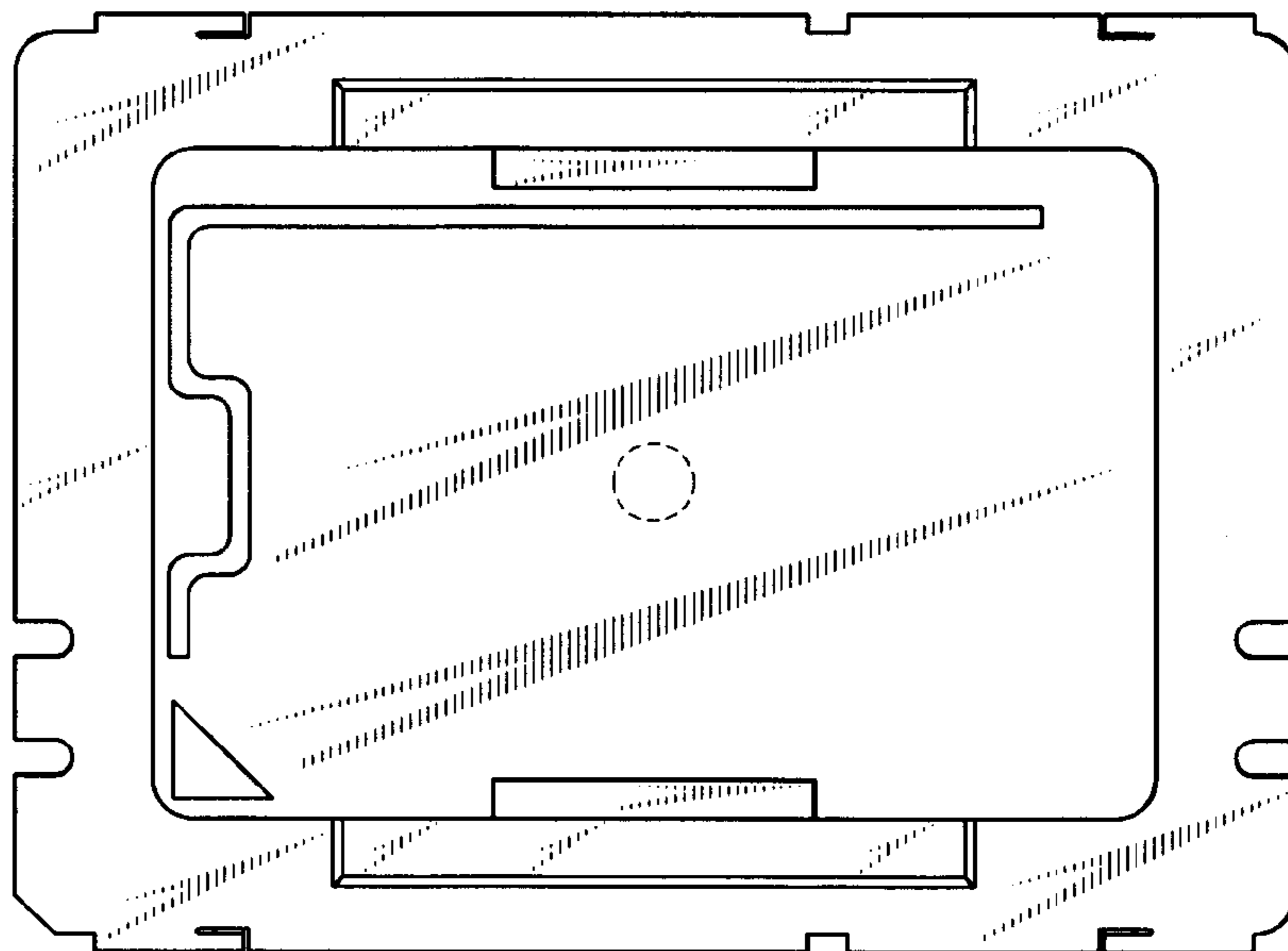
FIG. 6 is a right side view of the socket cover cap; and,

FIG. 7 is a rear view of the socket cover cap.

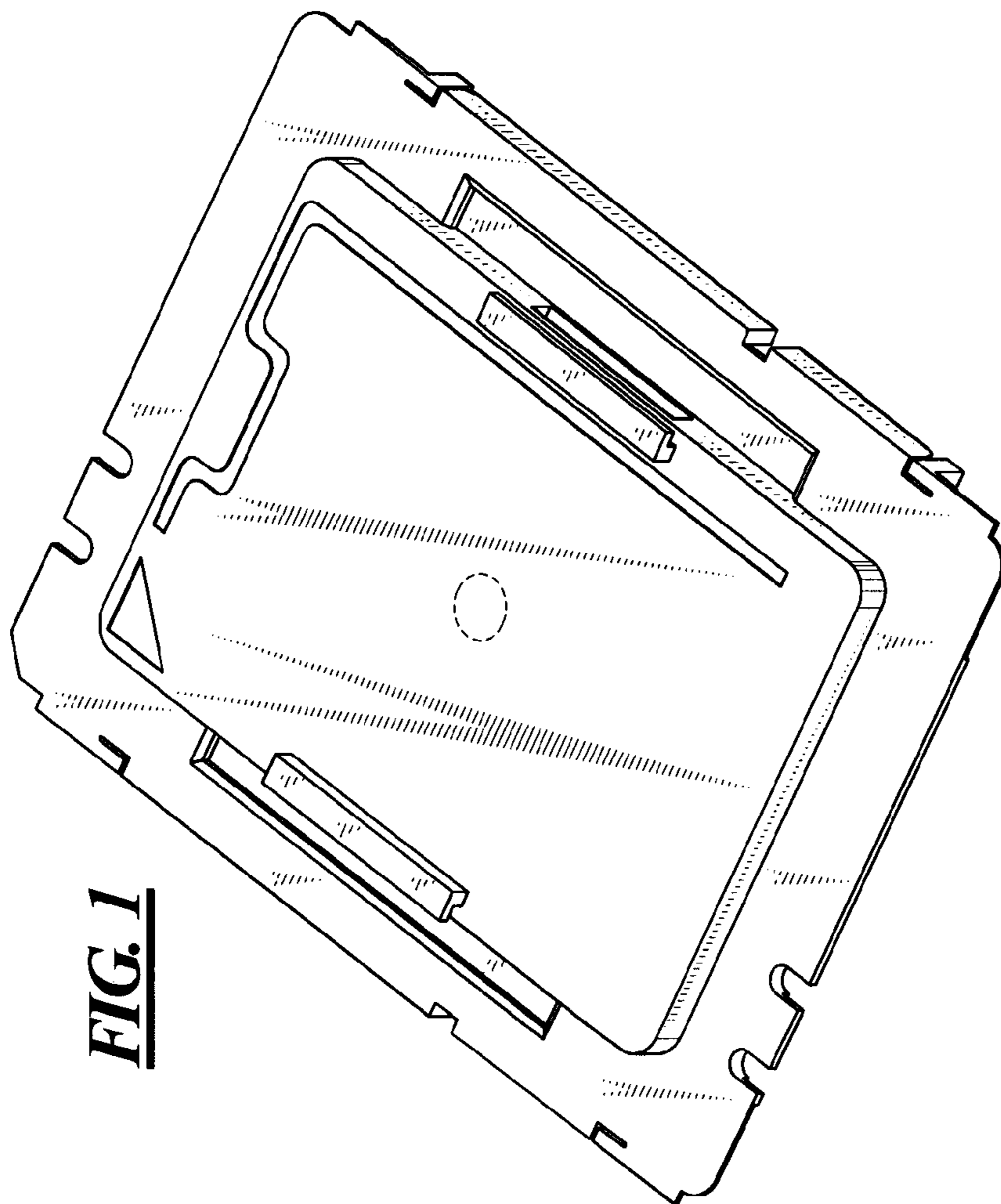
The broken lines shown in FIGS. 1 and 2 views are for illustrative proposes only and form no part of the claimed design.

**1 Claim, 3 Drawing Sheets**



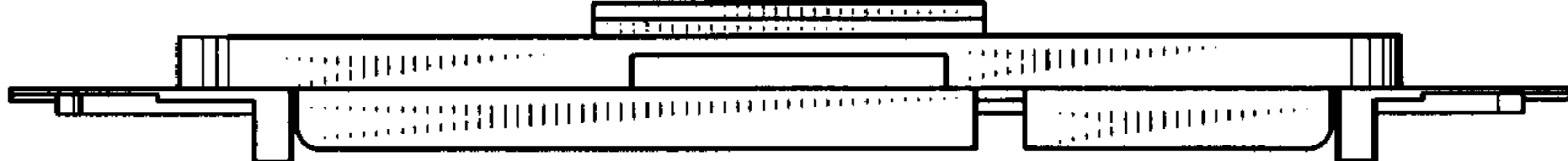


**FIG. 2**

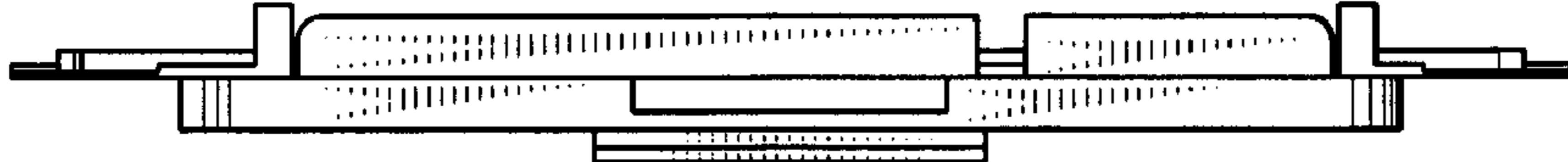


**FIG. 1**

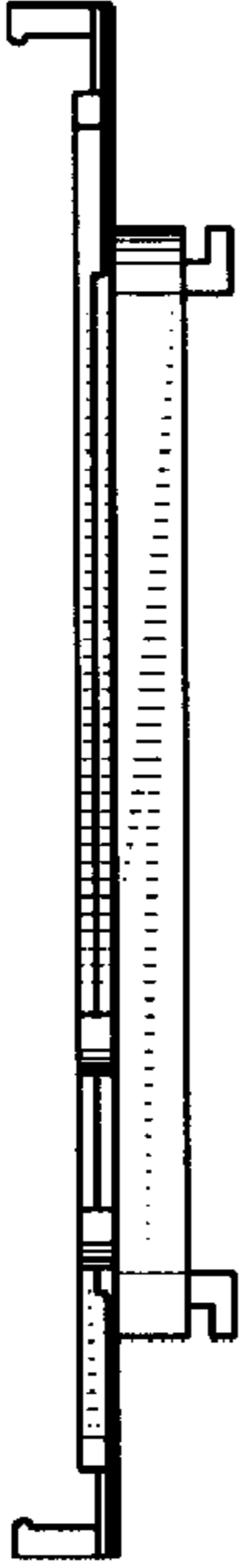
**FIG. 6**



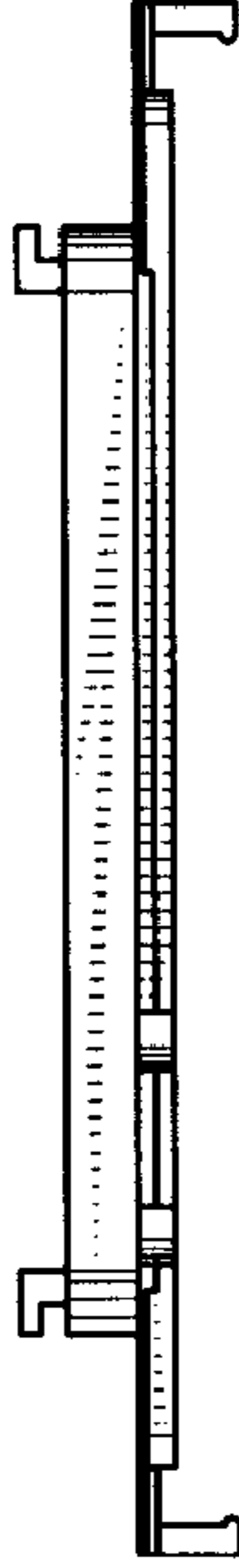
**FIG. 5**

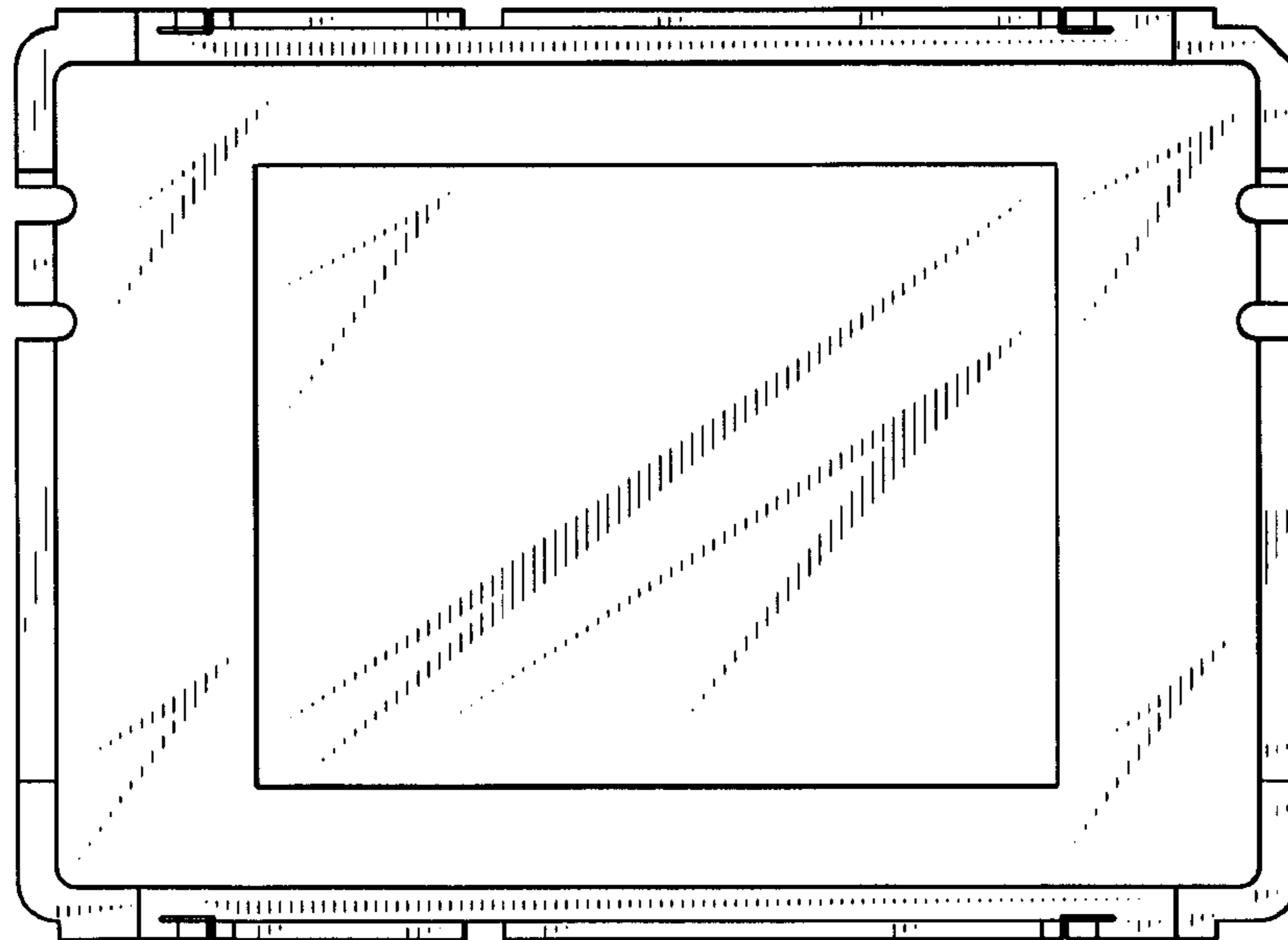


**FIG. 3**



**FIG. 4**





**FIG. 7**