



US00D633876S

(12) **United States Design Patent**
Shan et al.

(10) **Patent No.:** **US D633,876 S**
(45) **Date of Patent:** **** Mar. 8, 2011**

(54) **LIGHT EMITTING DIODE DEVICE**
(75) Inventors: **Li-Wei Shan**, Miao-Li County (TW);
Wen-Huang Liu, Miao-Li County (TW)
(73) Assignee: **Semi LEDs Optoelectronics Co., Ltd.**,
Miao-Li (TW)

(**) Term: **14 Years**

(21) Appl. No.: **29/346,320**

(22) Filed: **Oct. 30, 2009**

(51) **LOC (9) Cl.** **13-03**

(52) **U.S. Cl.** **D13/180**

(58) **Field of Classification Search** D13/180;
D26/2; 257/79, 80, 81, 88, 89, 95, 98, 99,
257/100, E33.058; 313/483, 498, 500; 362/555,
362/800

See application file for complete search history.

(56) **References Cited**

U.S. PATENT DOCUMENTS

4,214,251	A *	7/1980	Schairer	257/99
5,309,001	A *	5/1994	Watanabe et al.	257/99
5,652,434	A	7/1997	Nakamura et al.		
5,698,865	A *	12/1997	Gerner et al.	257/94
6,097,040	A	8/2000	Morimoto et al.		
6,153,894	A	11/2000	Udagawa		
6,204,512	B1	3/2001	Nakamura et al.		
6,281,526	B1	8/2001	Nitta et al.		
6,287,947	B1	9/2001	Ludowise et al.		
6,344,665	B1	2/2002	Sung et al.		
6,495,862	B1	12/2002	Okazaki et al.		
6,518,601	B2 *	2/2003	Wirth	257/98
6,642,548	B1 *	11/2003	Brown et al.	257/99
6,720,730	B2 *	4/2004	Salam	313/499
6,844,571	B2	1/2005	Krames et al.		
6,847,052	B2	1/2005	Fan et al.		
D521,952	S	5/2006	Yamada et al.		
7,319,044	B2 *	1/2008	Han et al.	438/22

D566,056	S *	4/2008	Edmond et al.	D13/180
7,439,550	B2 *	10/2008	Tomioka et al.	257/91
D580,888	S	11/2008	Liu		
D582,865	S *	12/2008	Edmond et al.	D13/180
D593,968	S *	6/2009	Edmond et al.	D13/180
7,576,367	B2 *	8/2009	Sugimori	257/99
D599,748	S	9/2009	Liu		
D606,949	S *	12/2009	Liu	D13/180
2006/0131600	A1 *	6/2006	Nakaoka et al.	257/99
2007/0075323	A1 *	4/2007	Kanazawa et al.	257/98
2007/0085089	A1 *	4/2007	Hsu	257/81

* cited by examiner

Primary Examiner — Selina Sikder

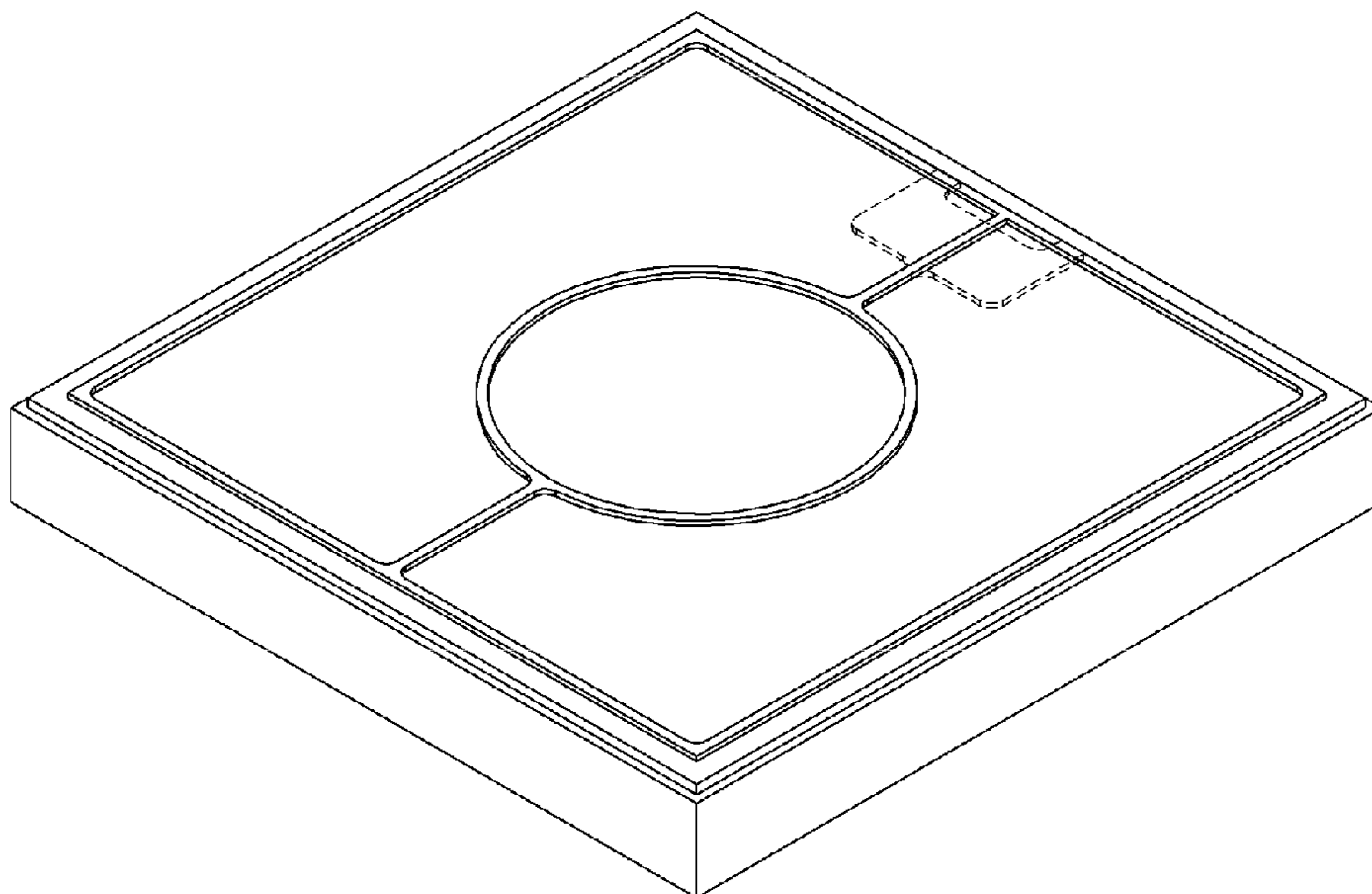
(57) **CLAIM**

The ornamental design for a light emitting diode device, as shown and described in the drawings.

DESCRIPTION

FIG. 1 is a perspective view of a light emitting diode device showing my new design;
 FIG. 2 is a top view thereof;
 FIG. 3 is a front view thereof;
 FIG. 4 is a back view thereof;
 FIG. 5 is a left view thereof;
 FIG. 6 is a right view thereof;
 FIG. 7 is a cross-sectional view thereof, take along line 7—7 in FIG. 3.;
 FIG. 8 is a cross-sectional view thereof, take along line 8—8 in FIG. 3.;
 FIG. 9 is a right side view of thereof; the left side view is a mirror image of the right side view; and,
 FIG. 10 is a front view of thereof; the backside view is a mirror image of the front side view.
 It will be understood that the dash lines presented in the drawings are for illustration only, and do not form a part of the claimed design.

1 Claim, 5 Drawing Sheets



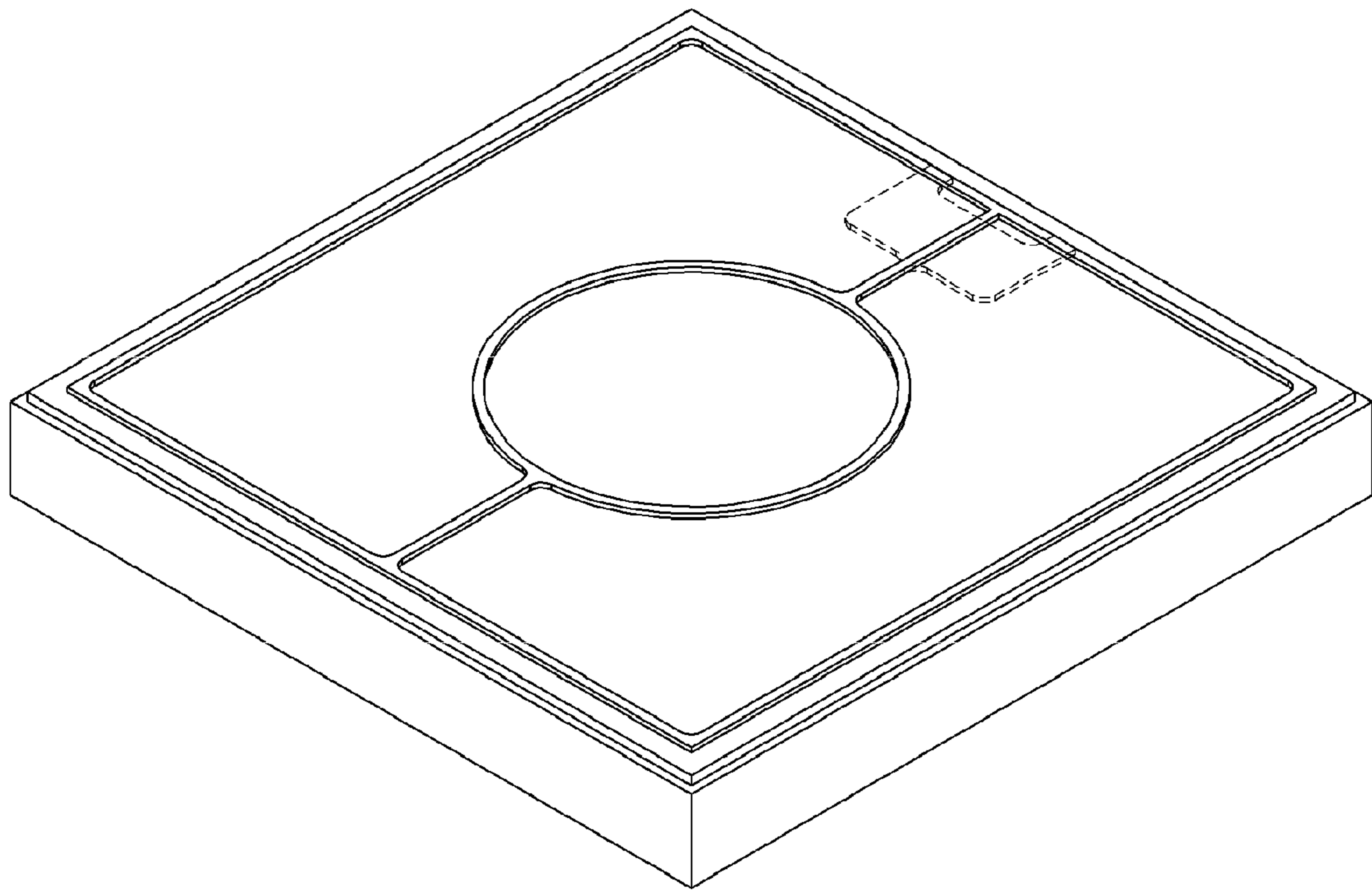


Fig. 1

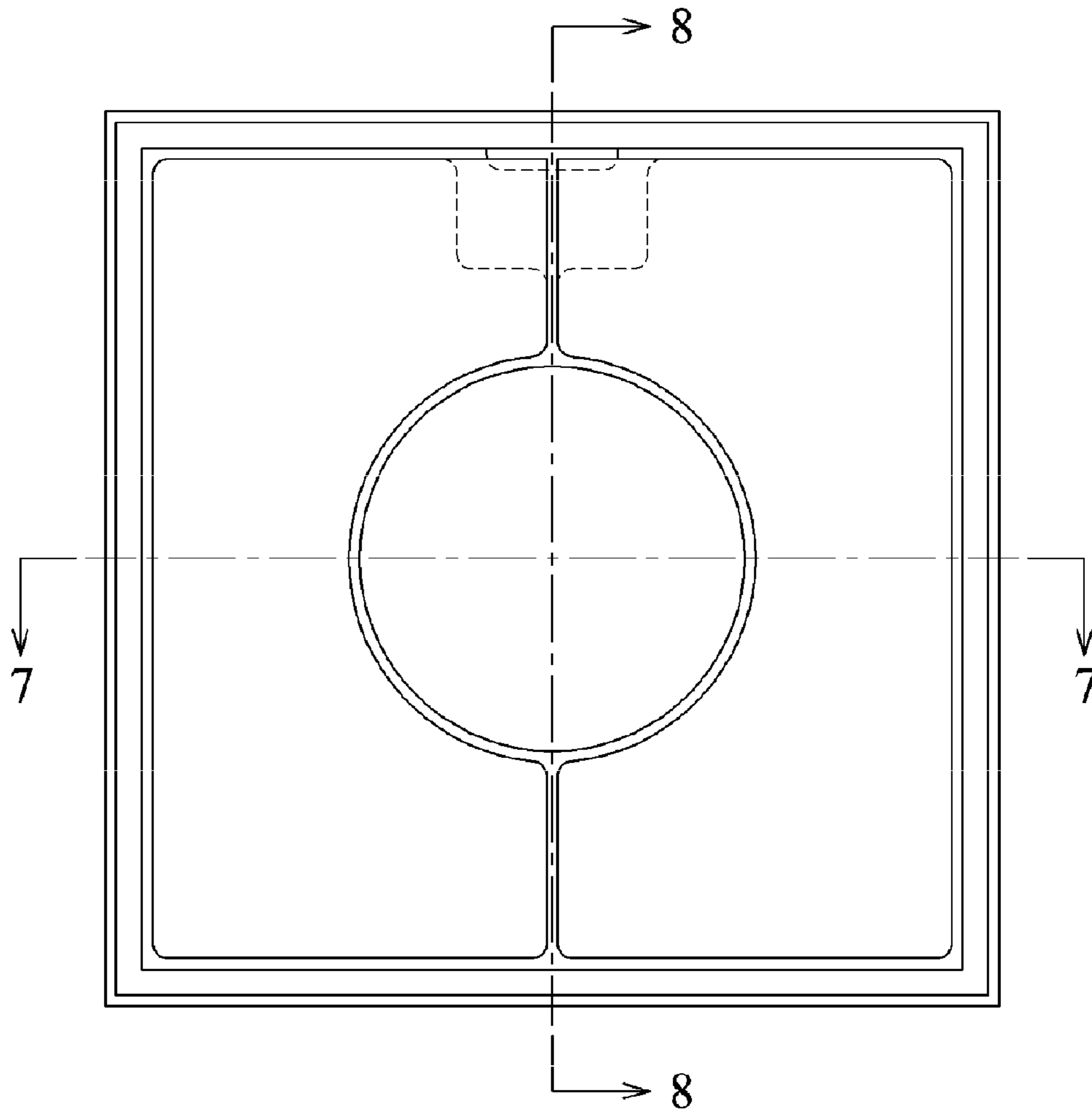


Fig. 2

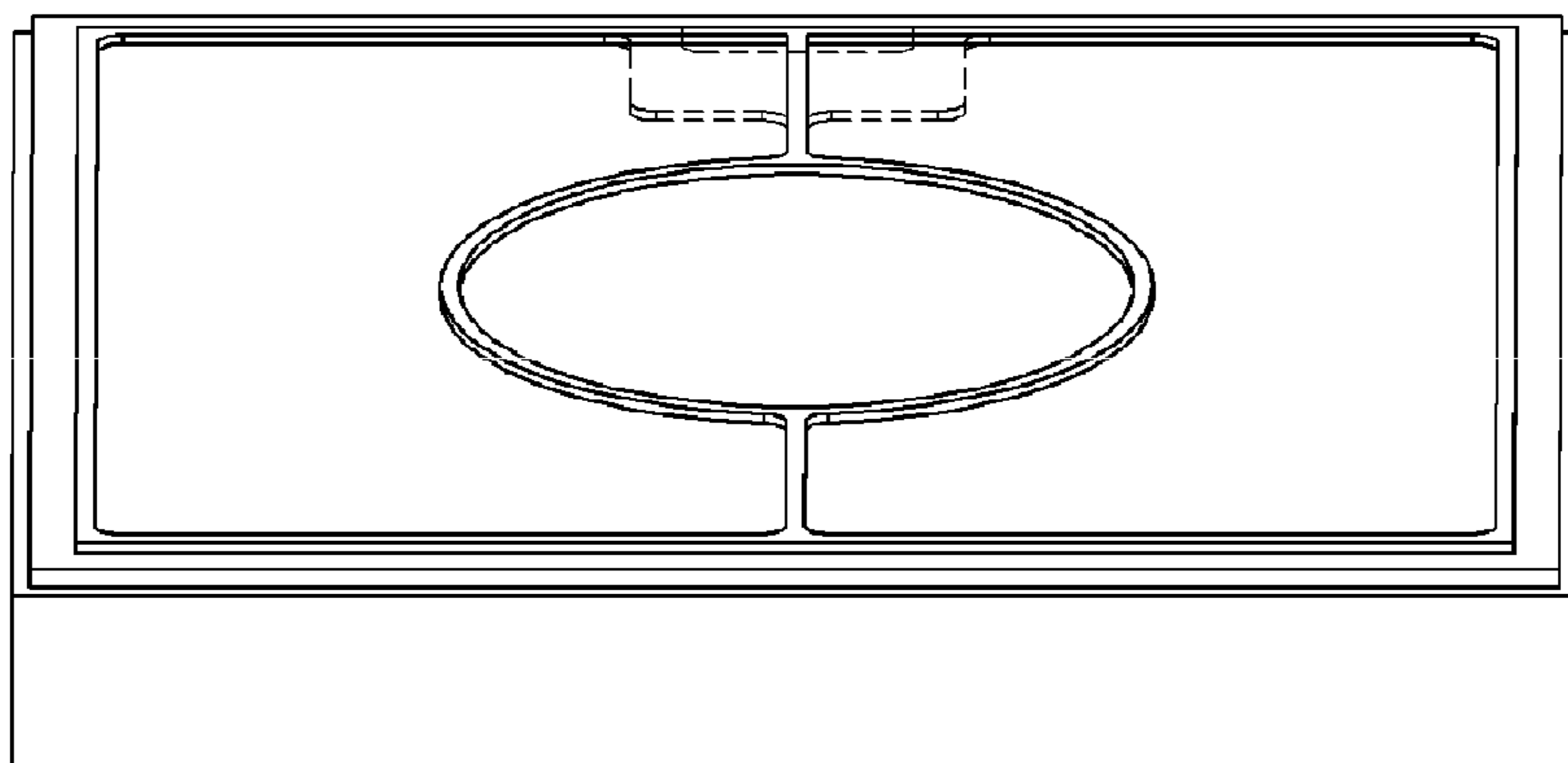


Fig. 3

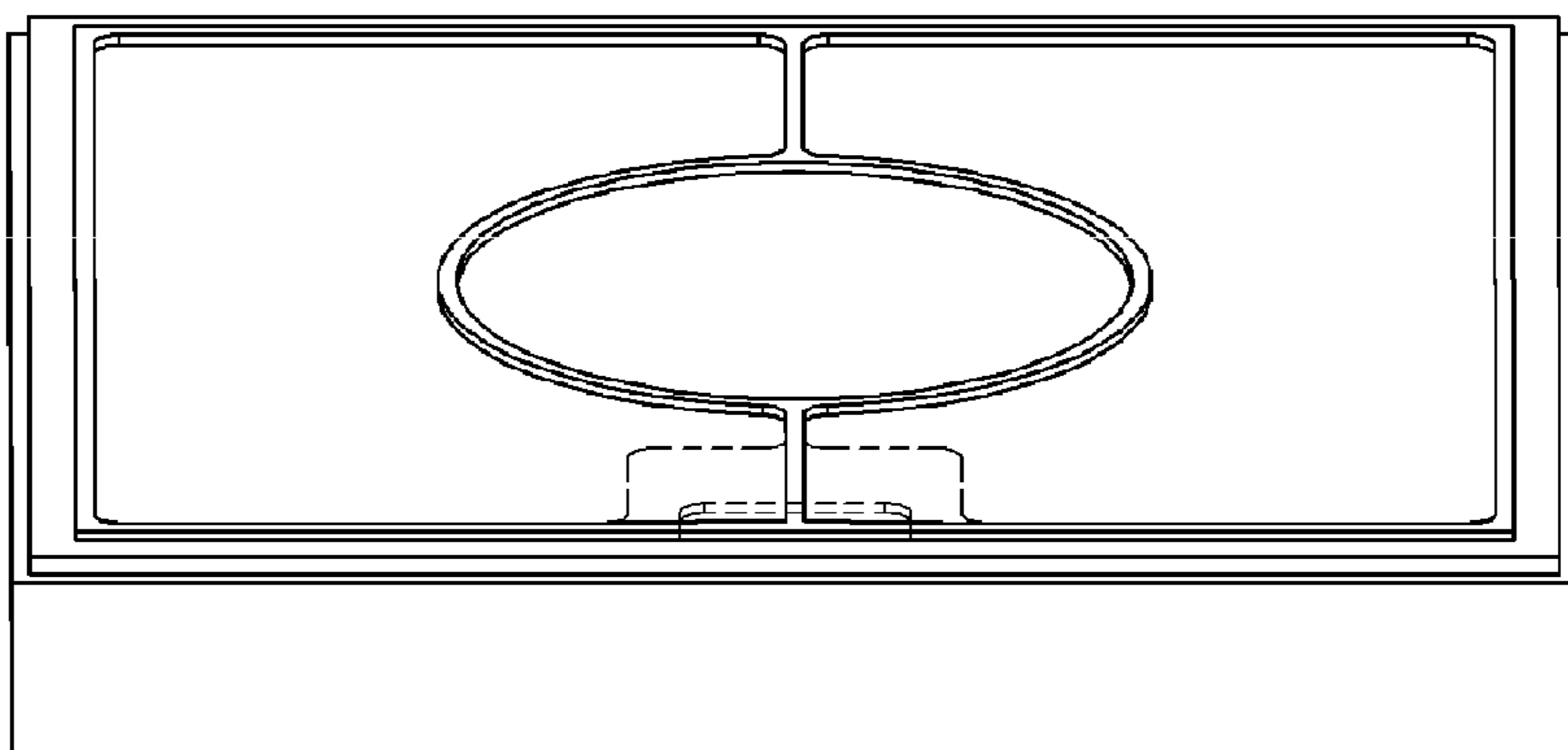


Fig. 4

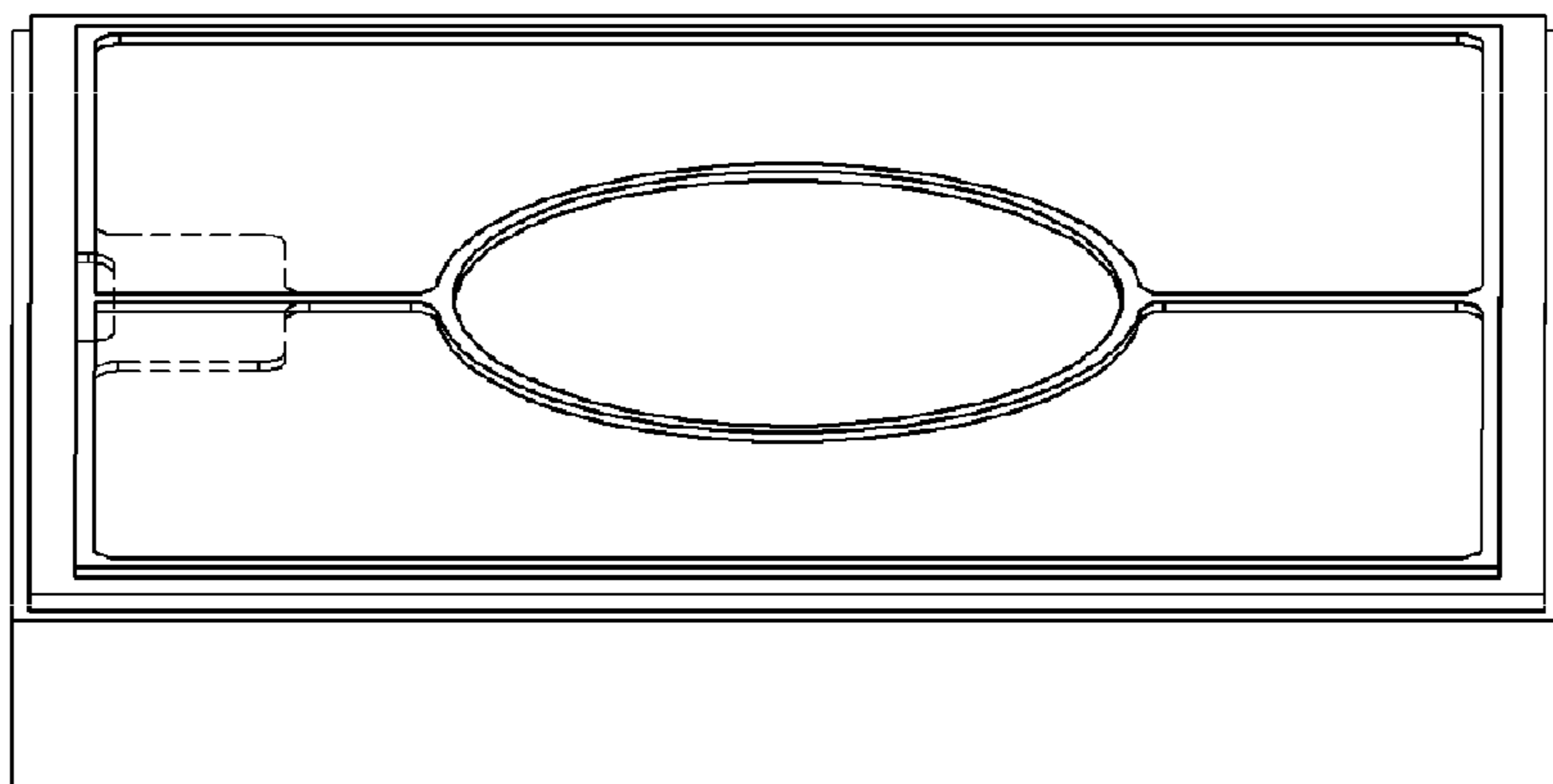


Fig. 5

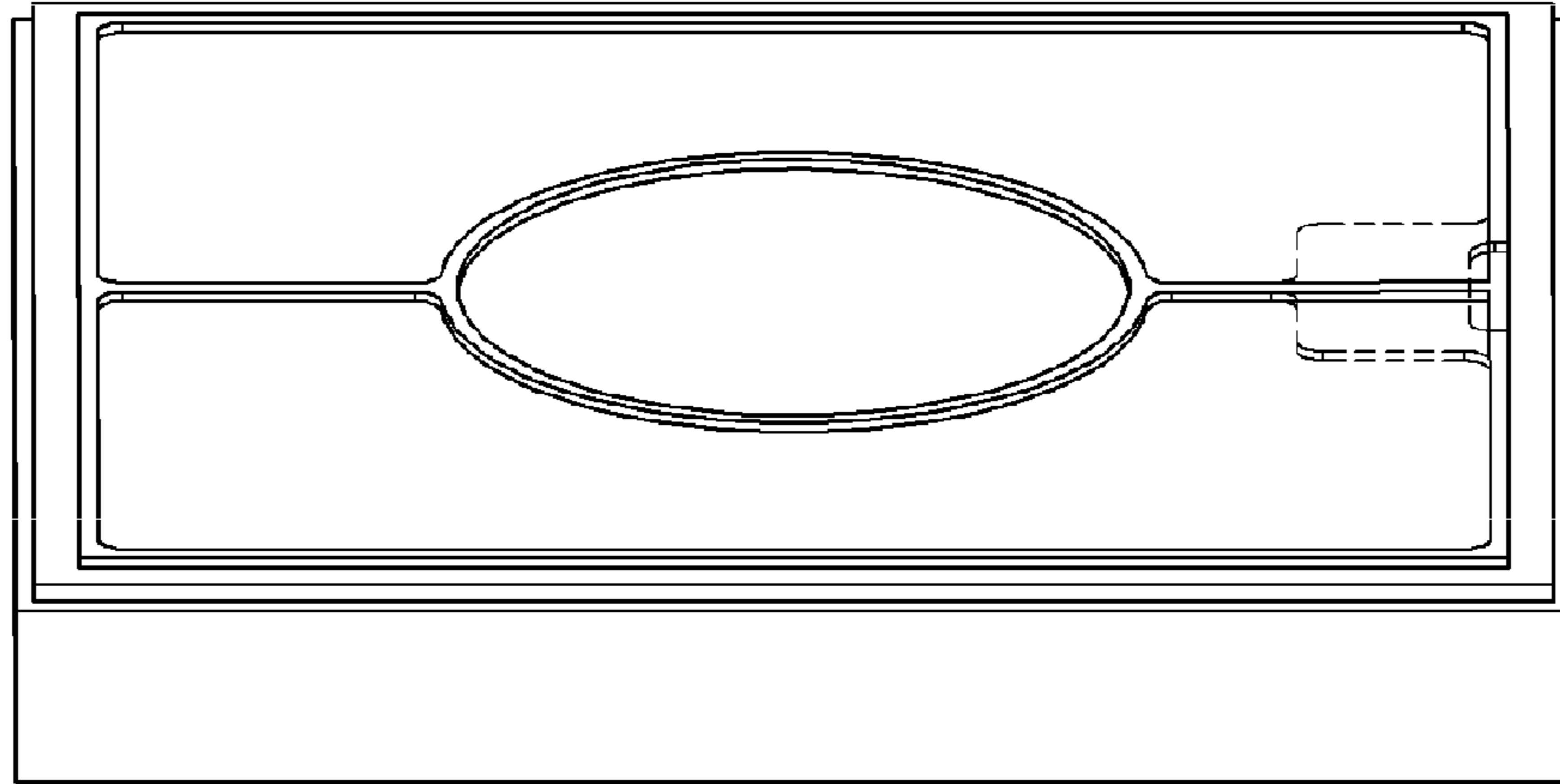


Fig. 6

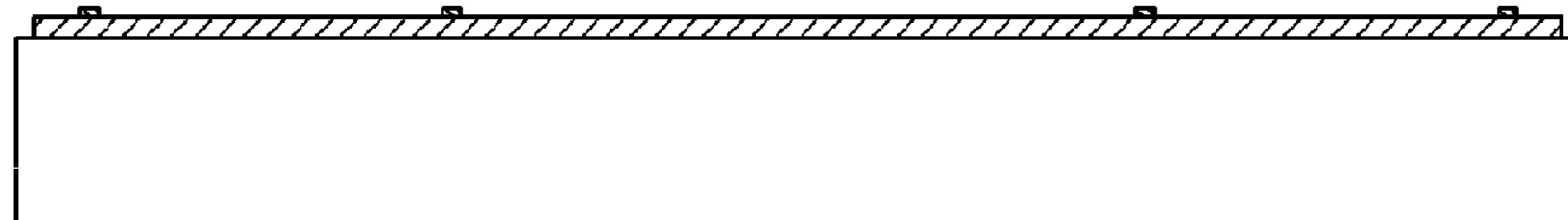


Fig. 7

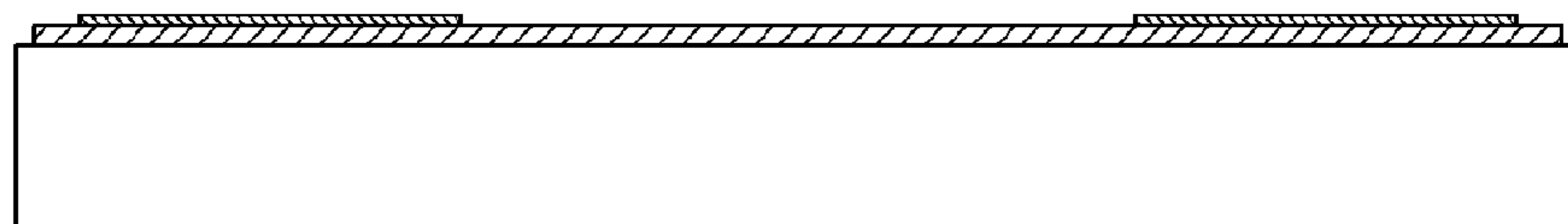


Fig. 8

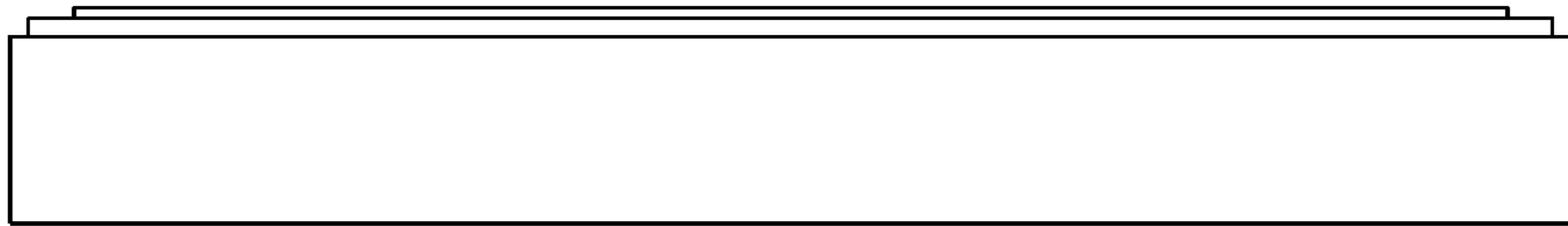


Fig. 9

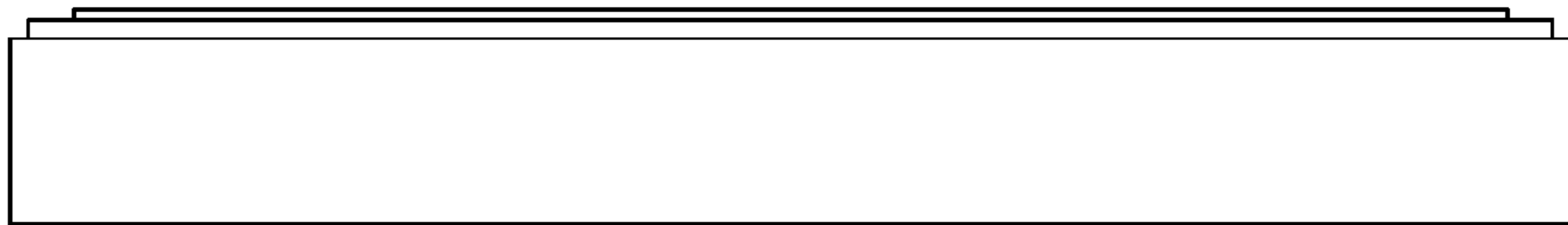


Fig. 10