



US00D633872S

(12) **United States Design Patent**  
**Shen et al.**

(10) **Patent No.:** **US D633,872 S**  
(45) **Date of Patent:** **\*\* Mar. 8, 2011**

(54) **CONDUIT FITTING RING**

D595,650 S \* 7/2009 Di Stefano ..... D13/133  
D615,049 S \* 5/2010 Miyasaka et al. .... D13/173  
D618,985 S \* 7/2010 Sjoqvist ..... D8/356

(75) Inventors: **Xing-Guo Shen**, Shanghai (CN); **Lorne Smyth**, Orangeville (CA); **John Kehren**, Newmarket (CA)

**OTHER PUBLICATIONS**

(73) Assignee: **Royal Group Inc.**, Woodbridge (CA)

Royal Pipe Systems; Royal Flex ENT & Fittings; Catalog, May 2004, 12 pages, Canada.

(\*\*) Term: **14 Years**

U.S. Appl. No. 29/338,058, filed Jun. 3, 2009; Title: Conduit Fitting Body.

(21) Appl. No.: **29/338,056**

U.S. Appl. No. 12/424/844, filed Apr. 16, 2009; Title: Fitting for Corrugated Conduit.

(22) Filed: **Jun. 3, 2009**

\* cited by examiner

(51) **LOC (9) Cl.** ..... **13-03**

*Primary Examiner*—Daniel D Bui

(52) **U.S. Cl.** ..... **D13/155**

(74) *Attorney, Agent, or Firm*—Osler, Hoskin & Harcourt LLP

(58) **Field of Classification Search** ..... D13/155,  
D13/156, 184; D8/354–356, 360.1; D14/256,  
D14/299; 439/207–211, 445–447

(57) **CLAIM**

See application file for complete search history.

The ornamental design for a conduit fitting ring, as shown and described.

(56) **References Cited**

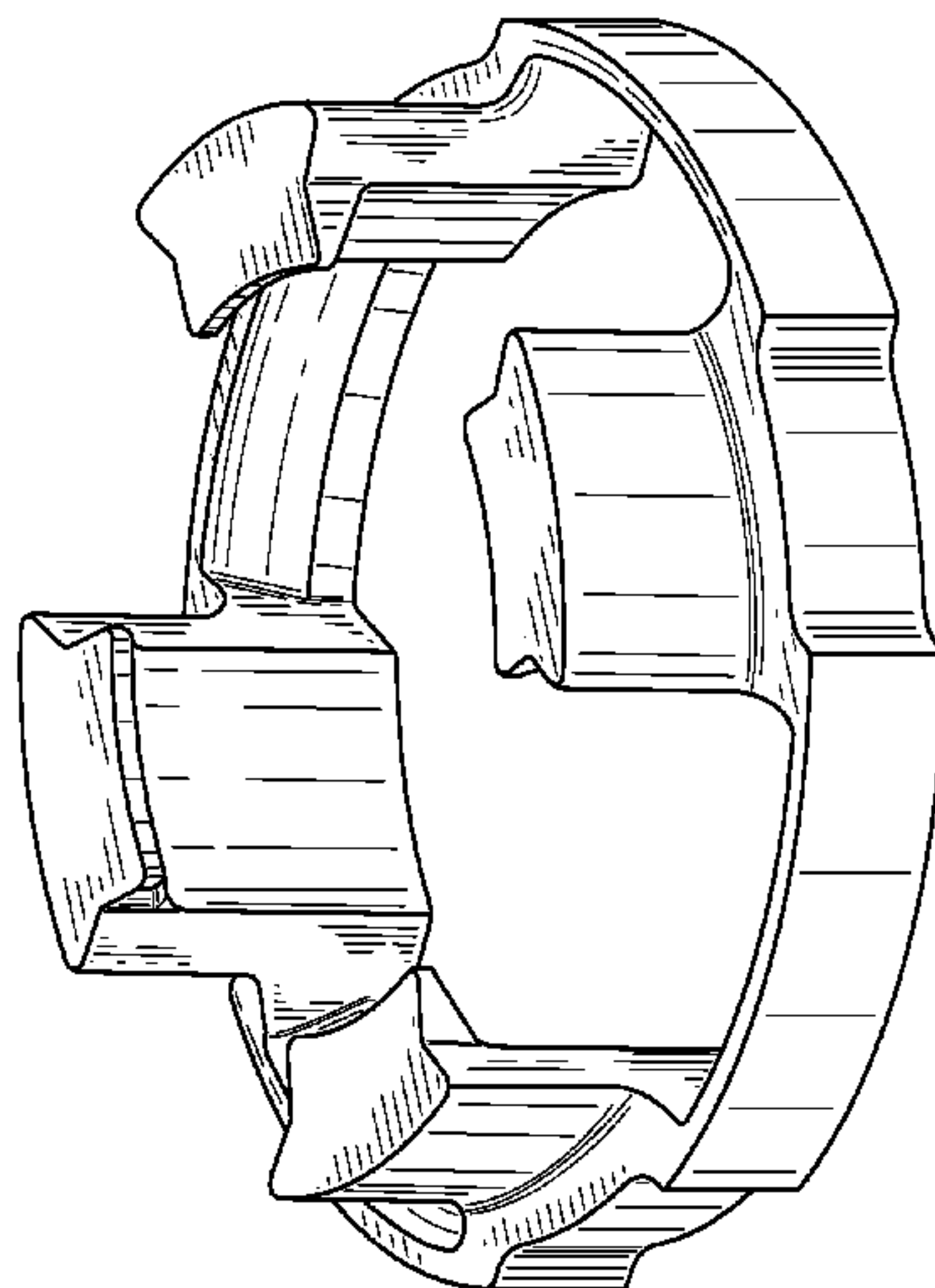
**U.S. PATENT DOCUMENTS**

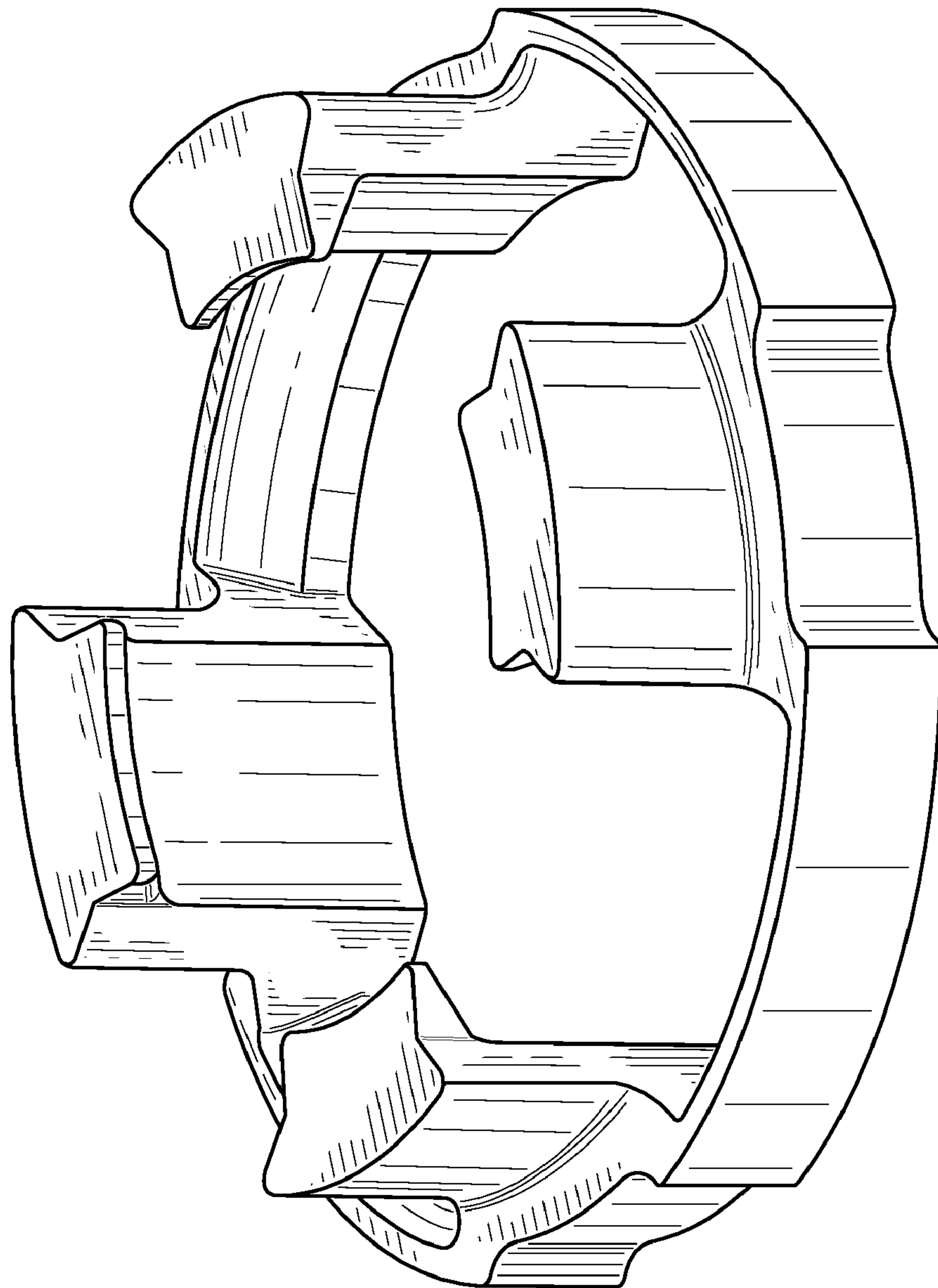
**DESCRIPTION**

D217,540 S *	5/1970	Weise	.....	D8/397
4,368,904 A	1/1983	Lanz		
4,647,074 A	3/1987	Pate et al.		
4,711,974 A	12/1987	Borsh		
4,723,796 A	2/1988	Nattel		
4,836,580 A	6/1989	Farrell		
4,864,080 A	9/1989	Fochler et al.		
4,989,905 A	2/1991	Rajecki		
D320,384 S *	10/1991	Jacobs	.....	D13/155
5,362,112 A	11/1994	Hamilton et al.		
5,730,474 A	3/1998	Bank		
D418,210 S	12/1999	Roesch		
D458,592 S *	6/2002	Gust et al.	.....	D13/155
6,739,630 B2	5/2004	Riedy		
6,899,354 B2	5/2005	Lanteigne et al.		
6,918,618 B2	7/2005	Allouche		
7,186,915 B2	3/2007	Hull et al.		
D544,448 S	6/2007	Hull et al.		
7,387,288 B2	6/2008	Hull et al.		

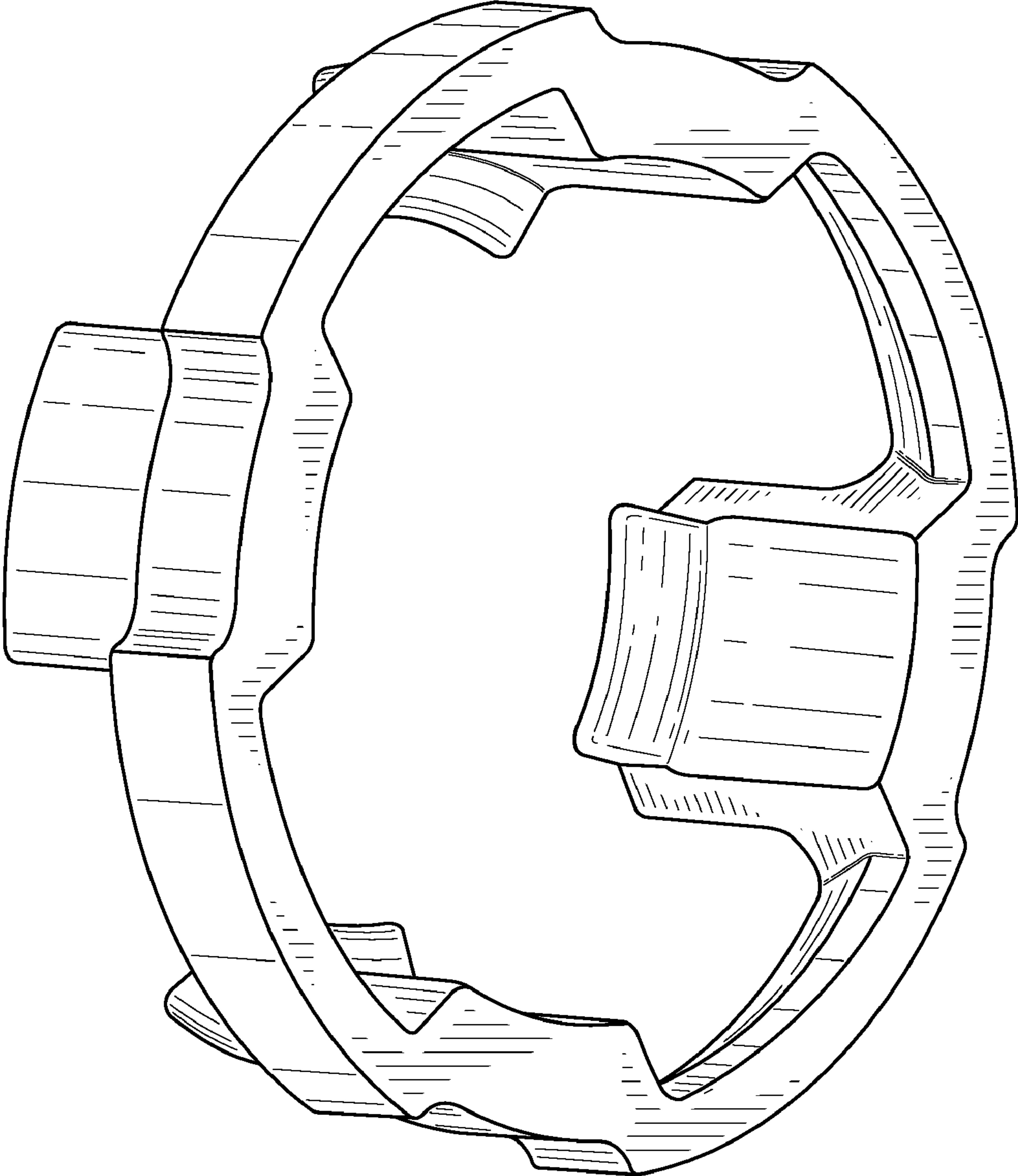
FIG. 1 is a top and side perspective view of a conduit fitting ring, showing our new design;  
FIG. 2 is a bottom and side perspective view thereof;  
FIG. 3 is a top plan view thereof;  
FIG. 4 is a bottom plan view thereof;  
FIG. 5 is a side elevation view thereof, as seen from line 5—5 in FIG. 3;  
FIG. 6 is another side view thereof, as seen from line 6—6 in FIG. 3; and,  
FIG. 7 is a bottom perspective view thereof, in use condition.  
The broken line shown in FIG. 7 is included for the purpose of illustrating environment and forms no part of the claimed design.

**1 Claim, 6 Drawing Sheets**





**FIG. 1**



**FIG. 2**

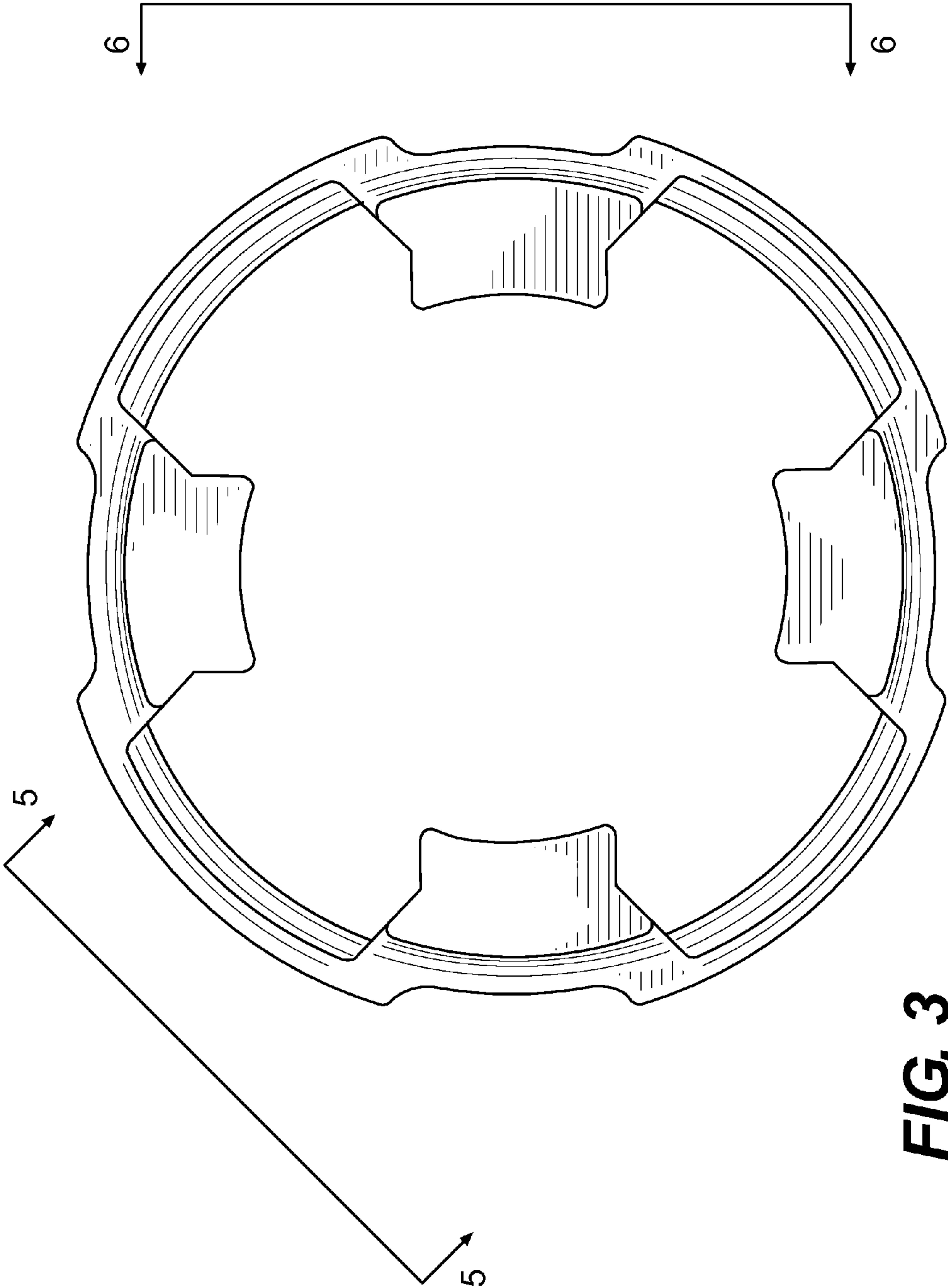
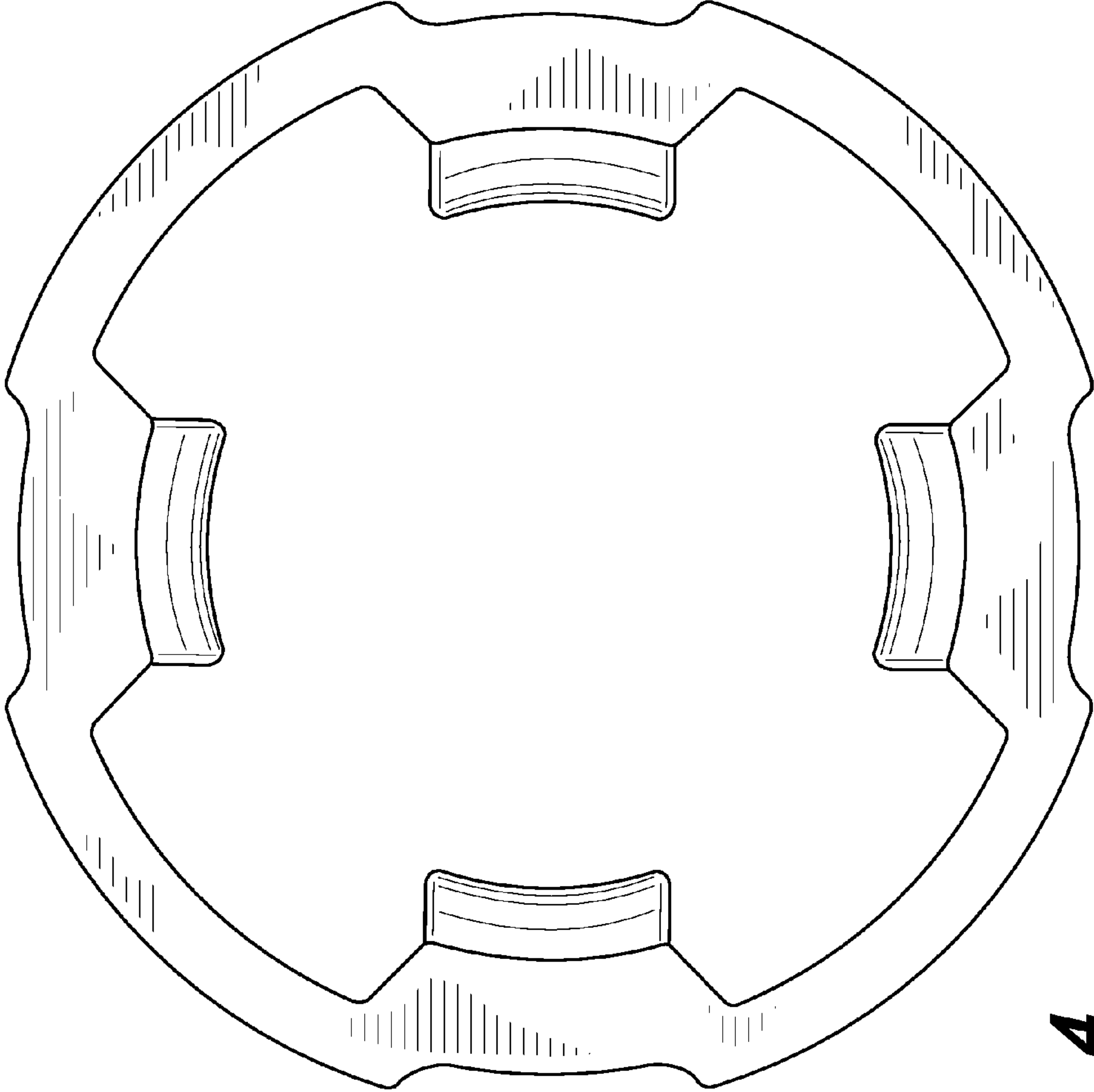
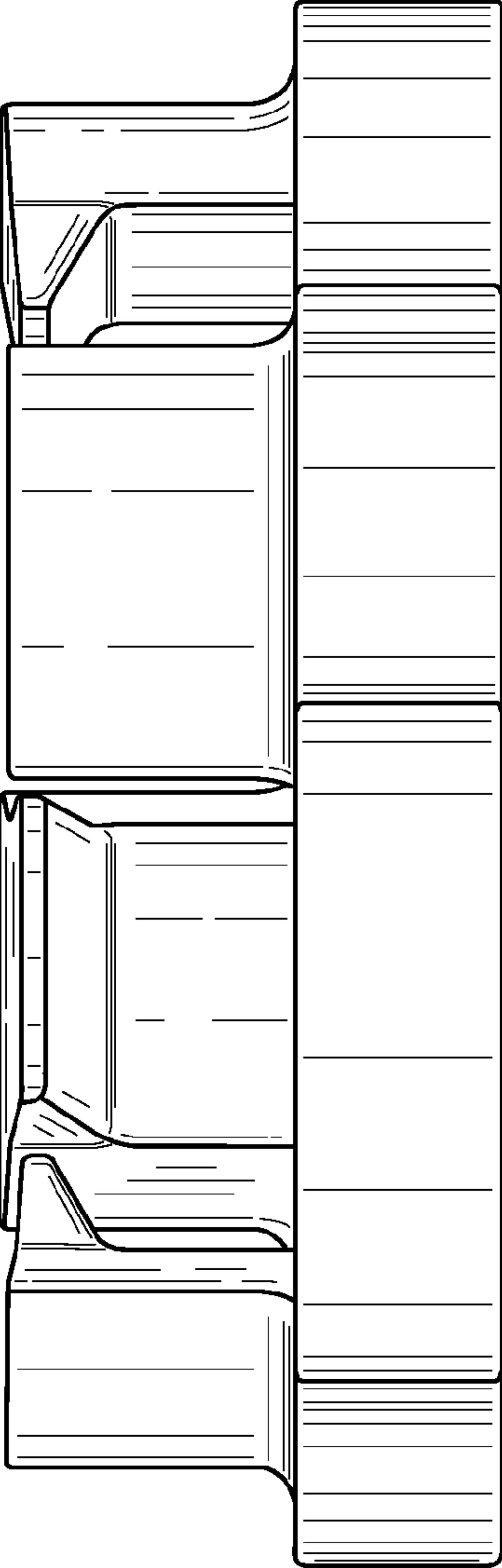


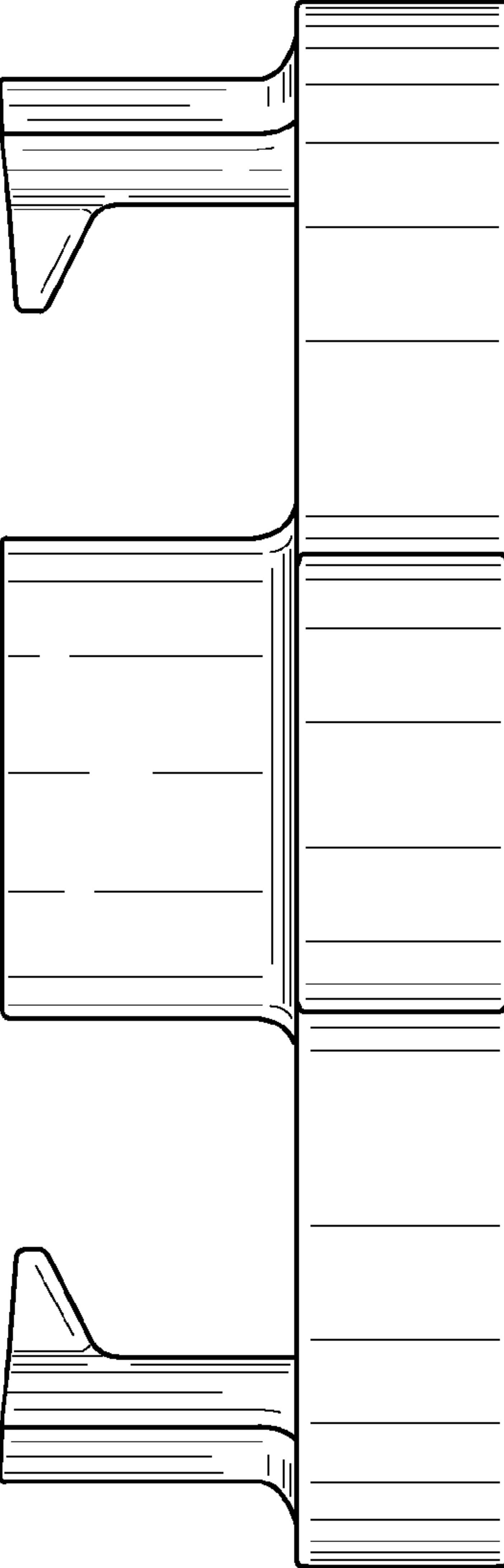
FIG. 3



**FIG. 4**

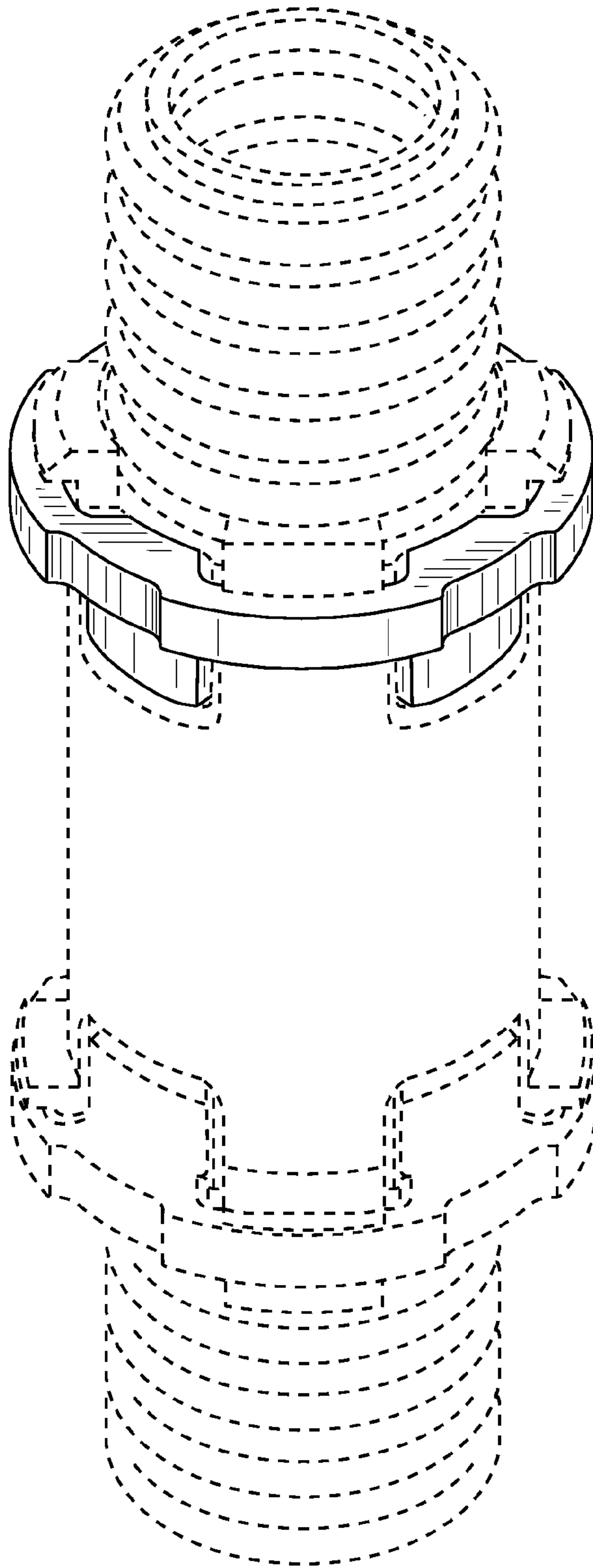


**FIG. 5**



**FIG. 6**





**FIG. 7**