



US00D633871S

(12) **United States Design Patent**
Akahori

(10) **Patent No.:** **US D633,871 S**
(45) **Date of Patent:** **** Mar. 8, 2011**

(54) **OUTLET**

(75) Inventor: **Yasuhiro Akahori**, Nishinomiya (JP)

(73) Assignee: **Panasonic Electric Works Co., Ltd.**,
Kadoma-shi (JP)

(**) Term: **14 Years**

(21) Appl. No.: **29/368,288**

(22) Filed: **Aug. 20, 2010**

(30) **Foreign Application Priority Data**

Feb. 23, 2010 (JP) 2010-004192

(51) **LOC (9) Cl.** **13-03**

(52) **U.S. Cl.** **D13/139.4**

(58) **Field of Classification Search** D13/138.1,
D13/138.2, 139.1, 139.2, 139.3, 139.4, 139.5,
D13/139.6, 139.7, 139.8, 137.1, 137.2, 137.3,
D13/137.4, 133, 146, 147, 151, 152, 153,
D13/154, 107, 108, 110, 162, 170, 156; 363/15,
363/34, 146; 439/93, 105, 119, 149, 225,
439/521, 535, 583, 866, 919; D8/353; 174/493,
174/494, 53, 59, 60, 66, 67; 320/111, 114,
320/115

See application file for complete search history.

(56) **References Cited**

U.S. PATENT DOCUMENTS

- 3,252,611 A * 5/1966 Weitzman et al. 220/242
- D380,195 S * 6/1997 Stekelenburg D13/139.6
- D411,826 S * 7/1999 Lamar et al. D13/139.6
- D435,517 S * 12/2000 Stekelenburg D13/139.8
- D437,582 S * 2/2001 Stekelenburg D13/139.1
- 6,410,851 B1 * 6/2002 Lamar et al. 174/67
- D460,415 S * 7/2002 Stekelenburg D13/139.4
- D464,319 S * 10/2002 Fowler D13/137.2

- D536,304 S * 2/2007 Czyz et al. D13/139.5
- D564,973 S * 3/2008 Meng-Suen D13/162
- D588,540 S * 3/2009 Barnes et al. D13/139.1
- D591,682 S * 5/2009 Lin D13/139.2
- D618,176 S * 6/2010 Kato et al. D13/146

FOREIGN PATENT DOCUMENTS

JP D1390406 * 6/2010

* cited by examiner

Primary Examiner—Angela J Lee

(74) *Attorney, Agent, or Firm*—Marvin A. Motsenbocker;
MOTS Law, PLLC

(57) **CLAIM**

The ornamental design for an outlet, as shown and described.

DESCRIPTION

FIG. 1 is a perspective view of the outlet;

FIG. 2 is a front view thereof;

FIG. 3 is a right side view thereof;

FIG. 4 is a top plan view thereof;

FIG. 5 is a rear view thereof;

FIG. 6 is a bottom view thereof;

FIG. 7 is a sectional view thereof at cross-section 7—7 of
FIG. 2 with interior components shown in broken lines; and,

FIG. 8 is a perspective view thereof, that shows a lid being
opened.

The portions of the article in broken lines are shown for
illustrative purposes only and form no part of the claimed
design.

A left side view of the outlet is a mirror image of the right side
view, and therefore omitted.

1 Claim, 8 Drawing Sheets

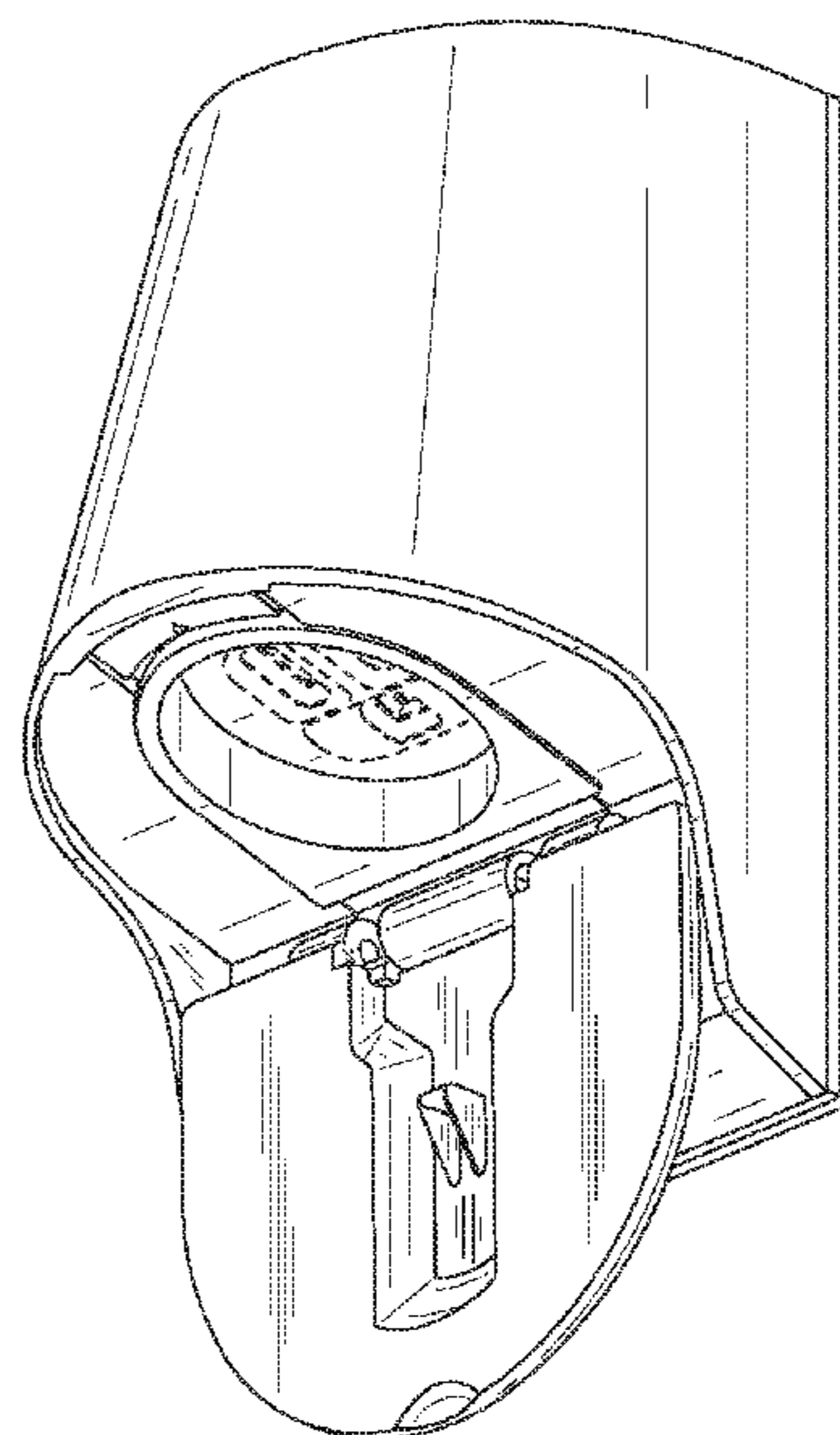
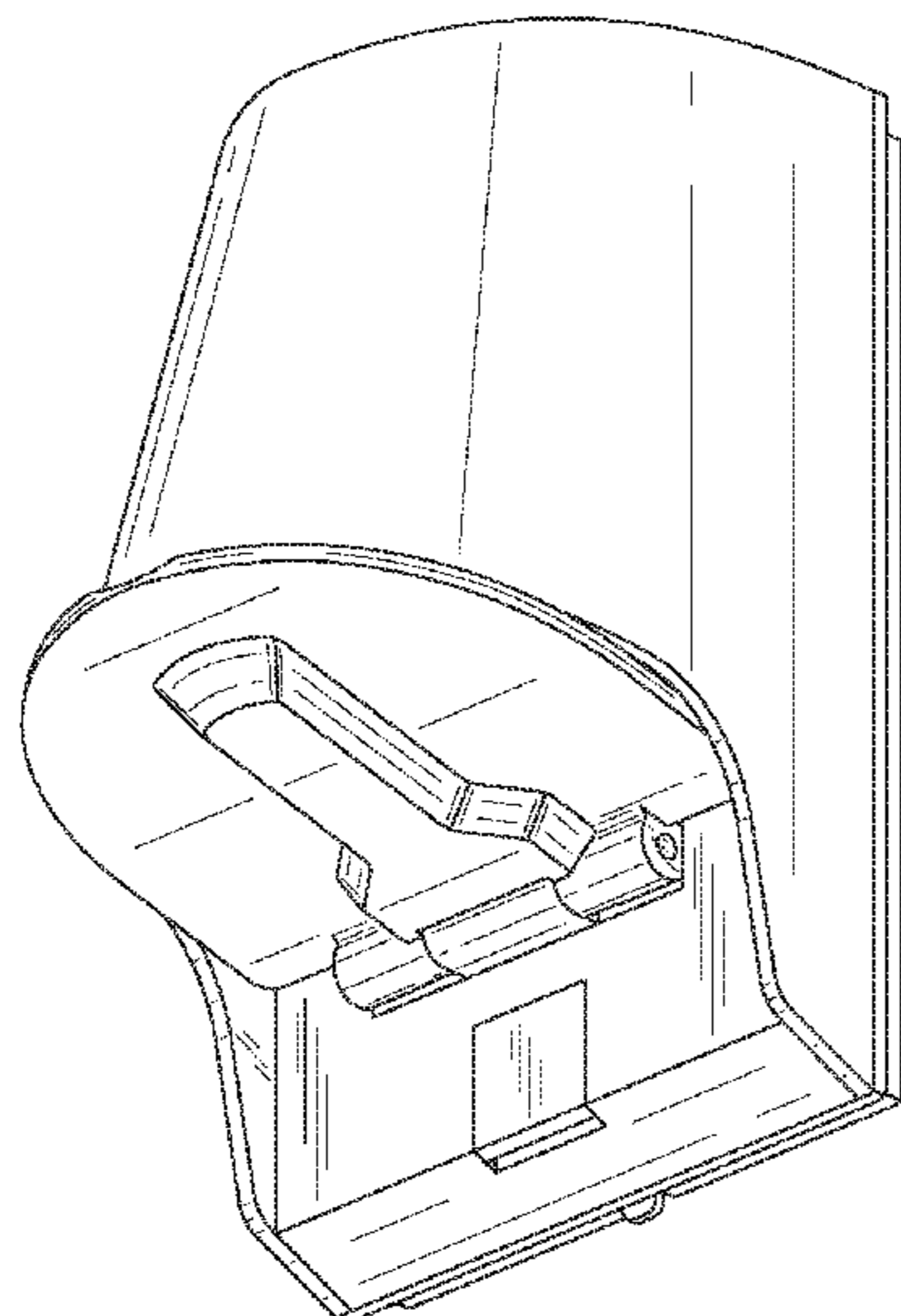


Fig. 1

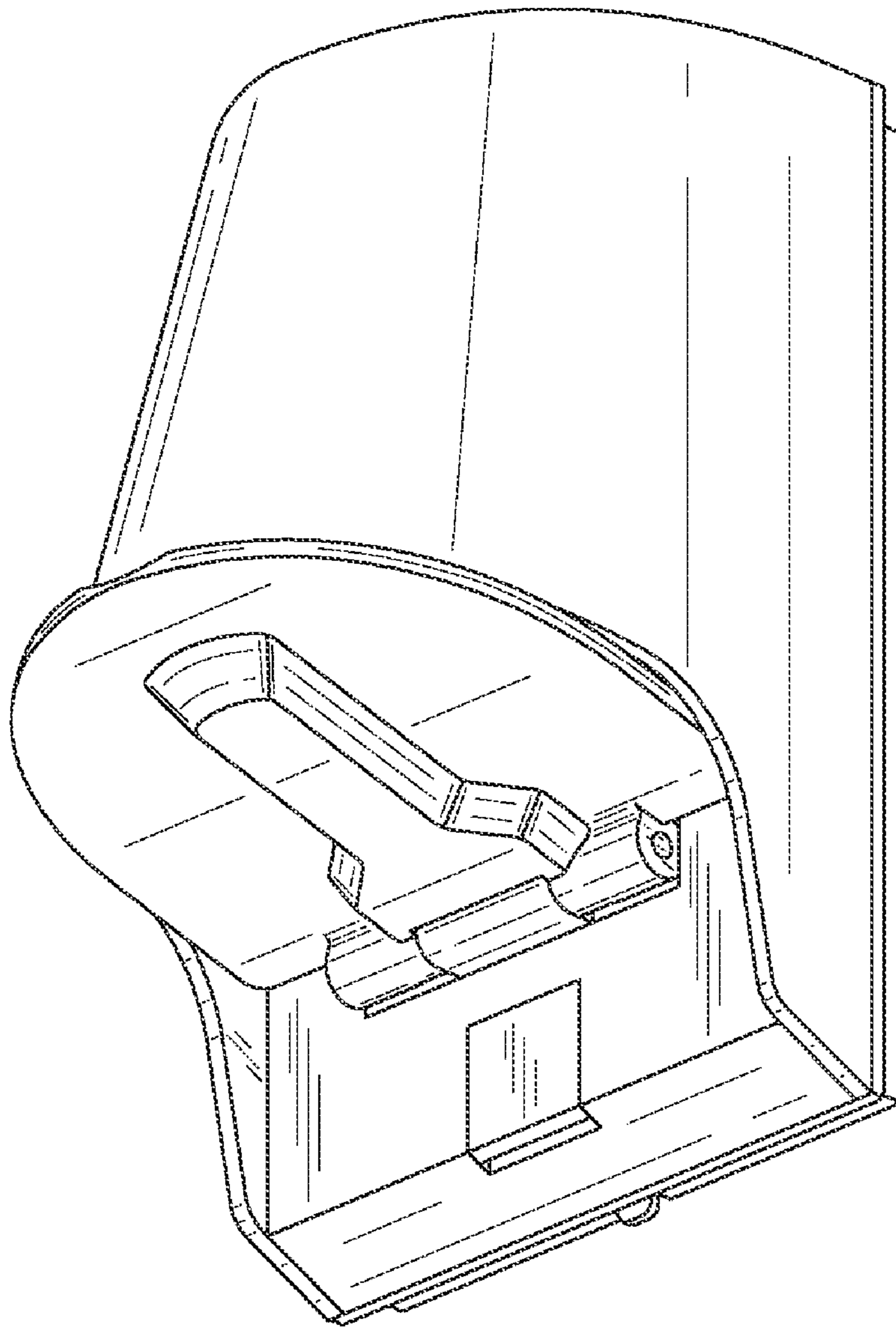
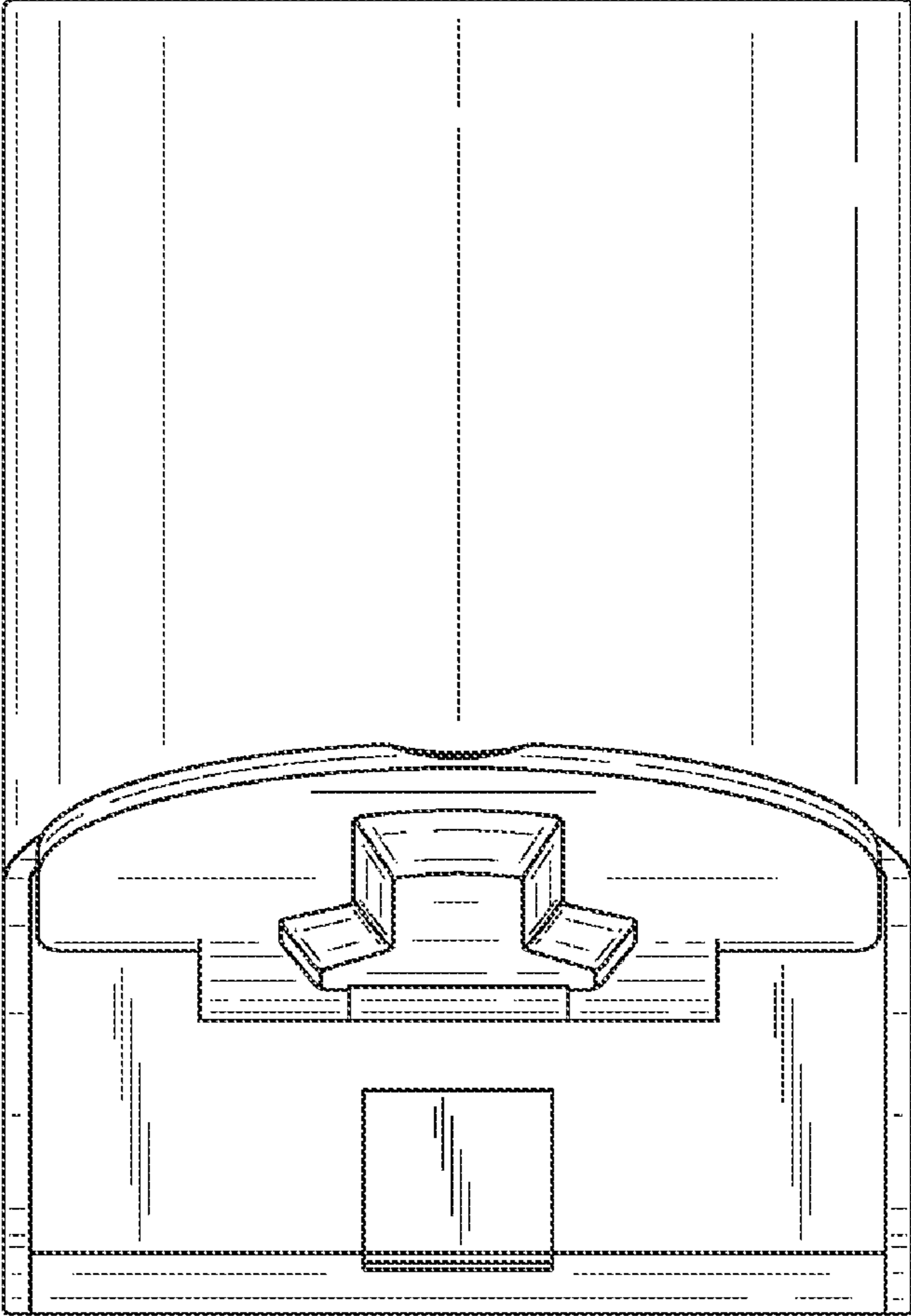


Fig.2

7 ←



7 ←

Fig. 3

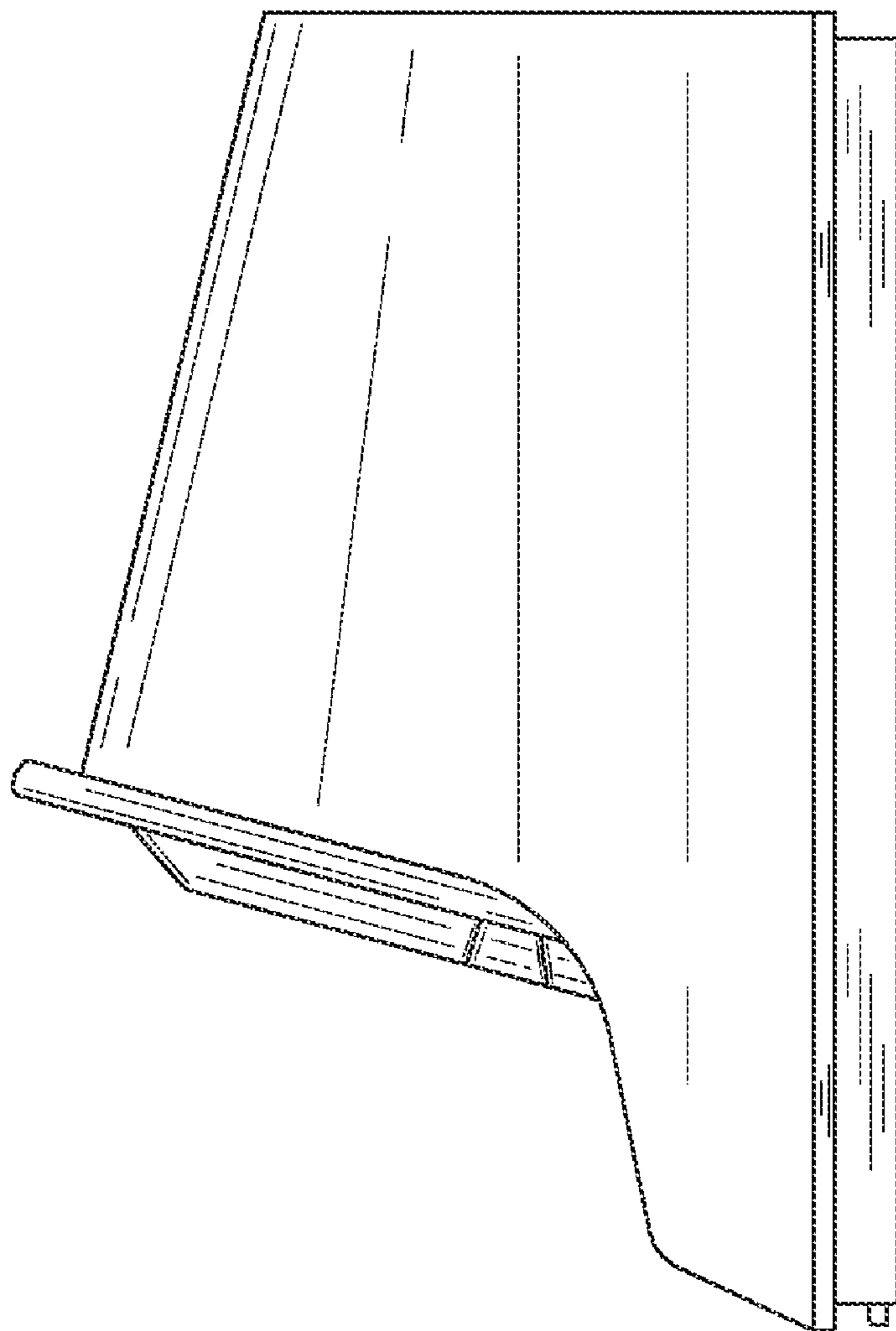


Fig. 4

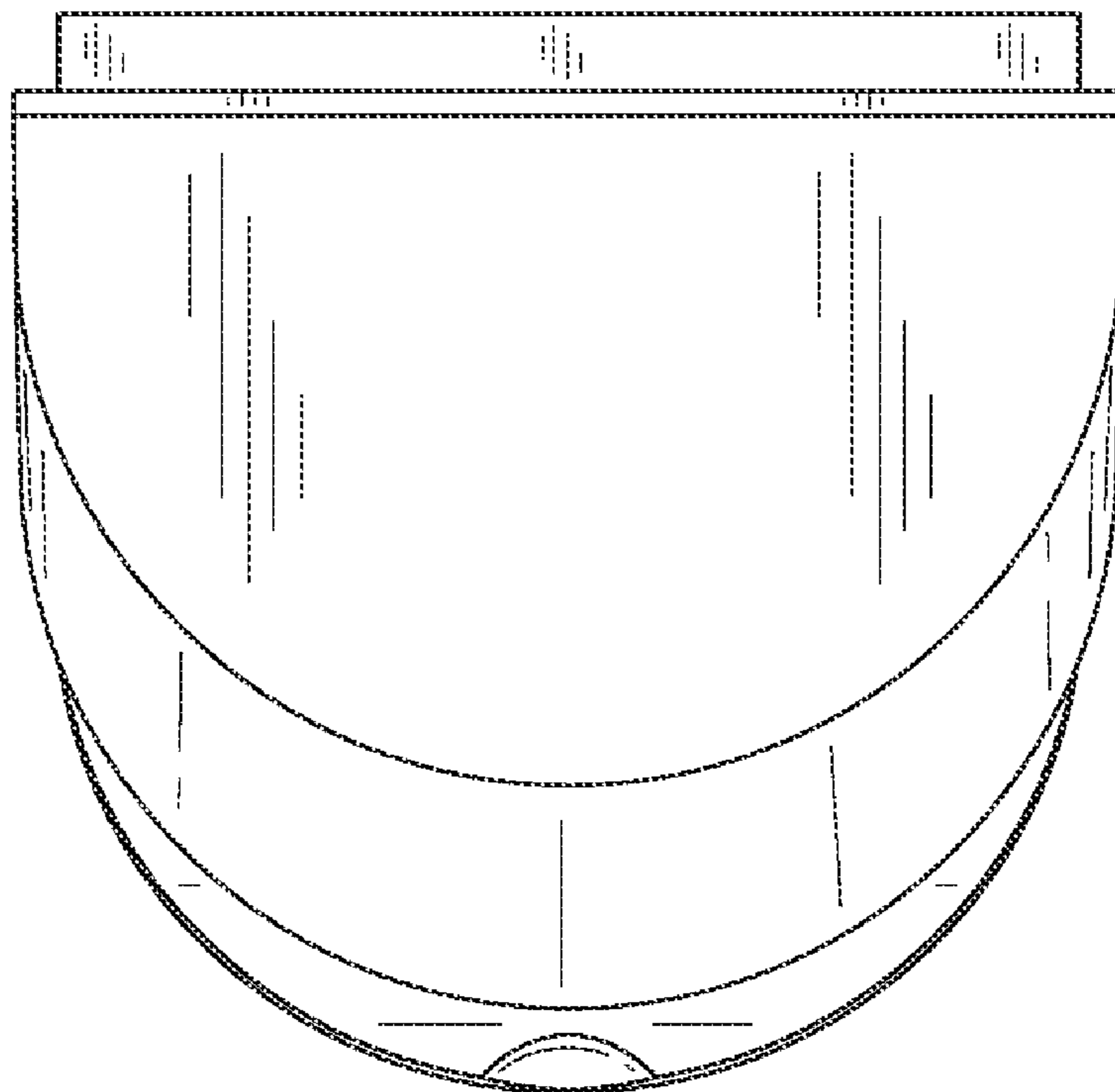


Fig. 5

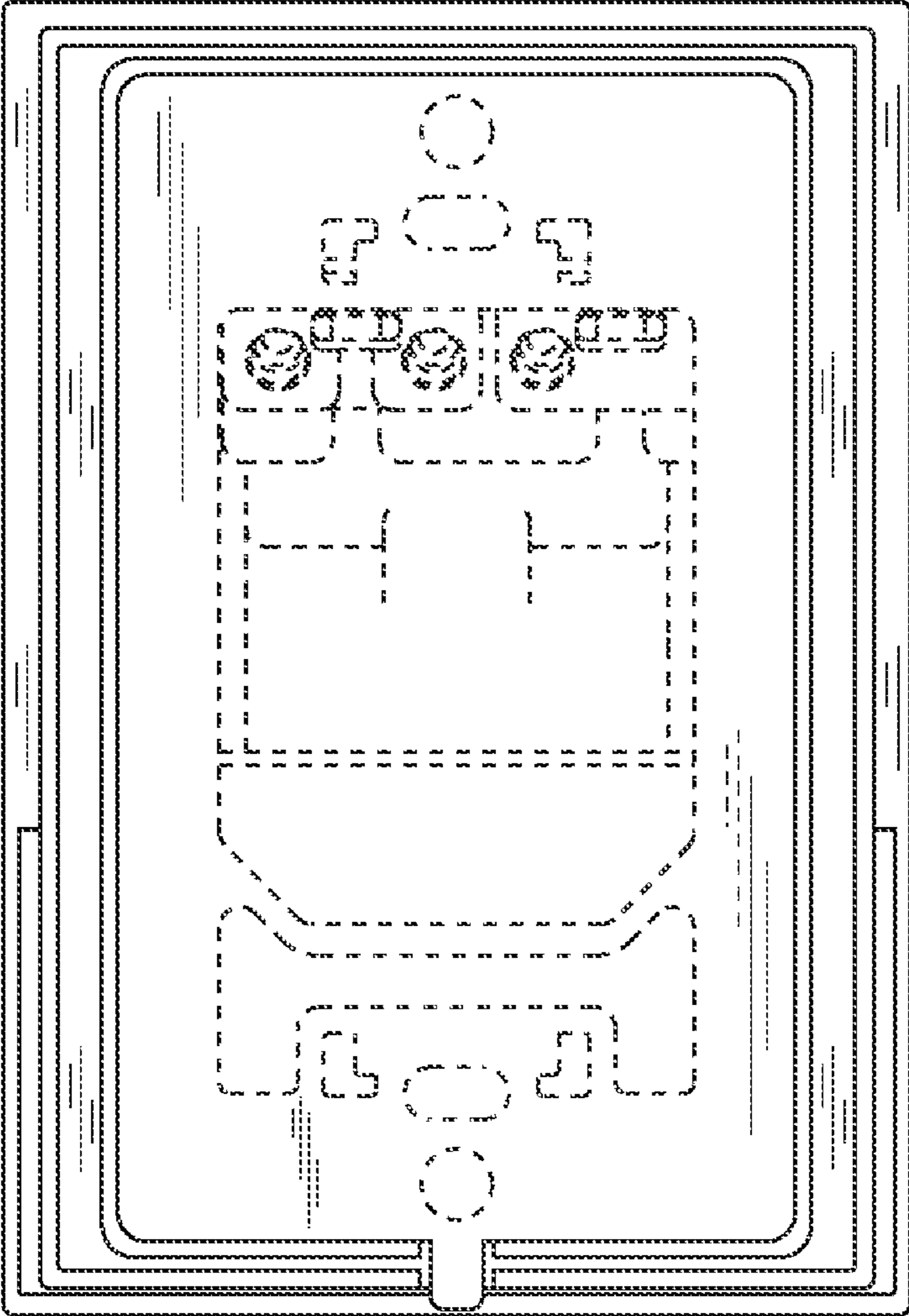


Fig. 6

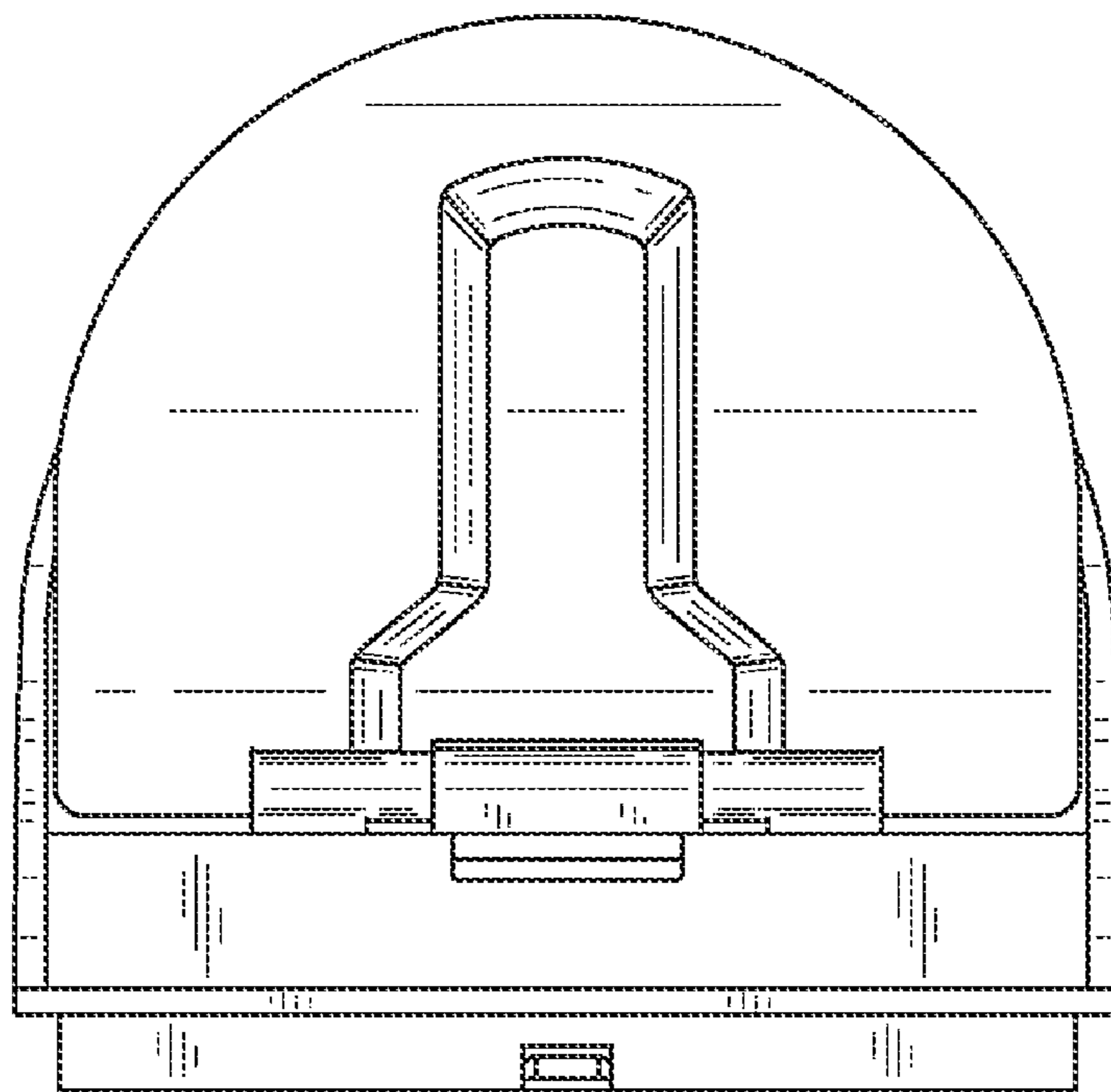


Fig. 7

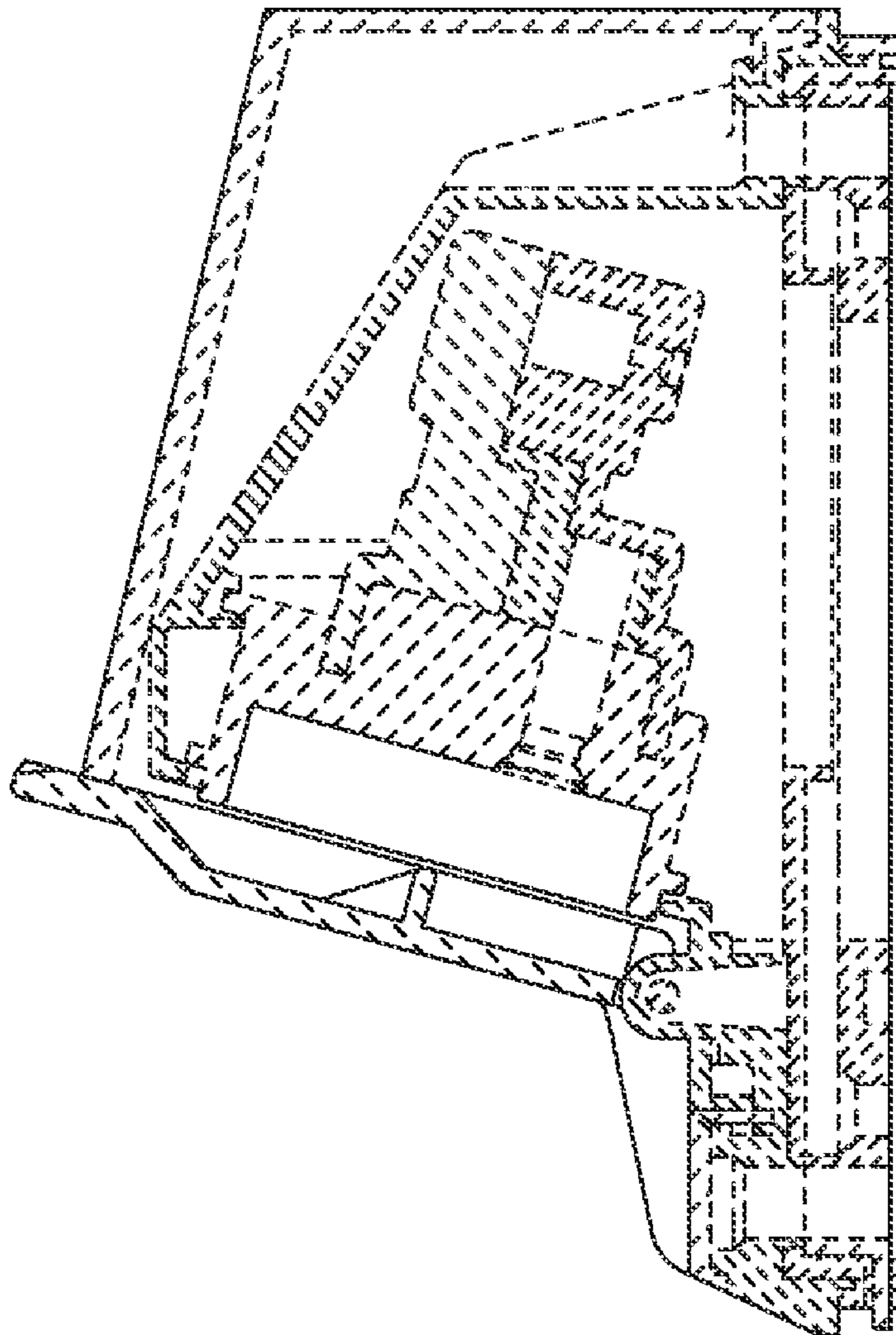


Fig.8

