



US00D633869S

(12) **United States Design Patent**
Aromin et al.

(10) **Patent No.:** **US D633,869 S**
(45) **Date of Patent:** **** Mar. 8, 2011**

(54) **GROUND FAULT CIRCUIT INTERRUPTER**
(75) Inventors: **Victor V. Aromin**, West Warwick, RI
(US); **Luis Bettencourt**, Attleboro, MA
(US)
(73) Assignee: **Tower Manufacturing Corporation**,
Providence, RI (US)

(**) Term: **14 Years**

(21) Appl. No.: **29/316,406**

(22) Filed: **Sep. 22, 2009**

(51) **LOC (9) Cl.** **13-03**

(52) **U.S. Cl.** **D13/138.1**

(58) **Field of Classification Search** D13/138.1,
D13/138.2, 139.1, 139.2, 139.3, 139.4, 139.5,
D13/139.6, 139.7, 139.8, 137.1, 137.2, 137.3,
D13/137.4, 133, 107, 108, 110, 123, 146,
D13/147, 149, 151, 154, 160; D14/240,
D14/256, 217, 433; 174/494, 67, 202, 206,
174/53, 59; 439/35, 222, 249, 919, 909,
439/171, 518, 956, 105, 53, 63, 106, 136,
439/149, 266, 300, 373, 654, 660, 907; 320/111,
320/114; 363/146

See application file for complete search history.

(56) **References Cited**

U.S. PATENT DOCUMENTS

D270,628 S * 9/1983 Bobrovniczky D13/138.2
D314,177 S * 1/1991 Heiligenstein et al. ... D13/138.1
D338,188 S * 8/1993 Lee et al. D13/110
D356,066 S * 3/1995 Rao et al. D13/138.1

5,661,623 A * 8/1997 McDonald et al. 361/42
D414,747 S * 10/1999 Aromin D13/160
D434,010 S * 11/2000 Stekelenburg D13/160
D451,481 S 12/2001 MacKay
D483,721 S * 12/2003 Kim et al. D13/110
7,170,375 B2 * 1/2007 Chen et al. 335/177
D579,410 S * 10/2008 Hanada et al. D13/110
D579,881 S 11/2008 Aromin
D584,690 S * 1/2009 Hsiung D13/138.1
2008/0094764 A1 * 4/2008 Zhang et al. 361/42

* cited by examiner

Primary Examiner — Angela J Lee

(74) *Attorney, Agent, or Firm* — Kriegsmann & Kriegsmann

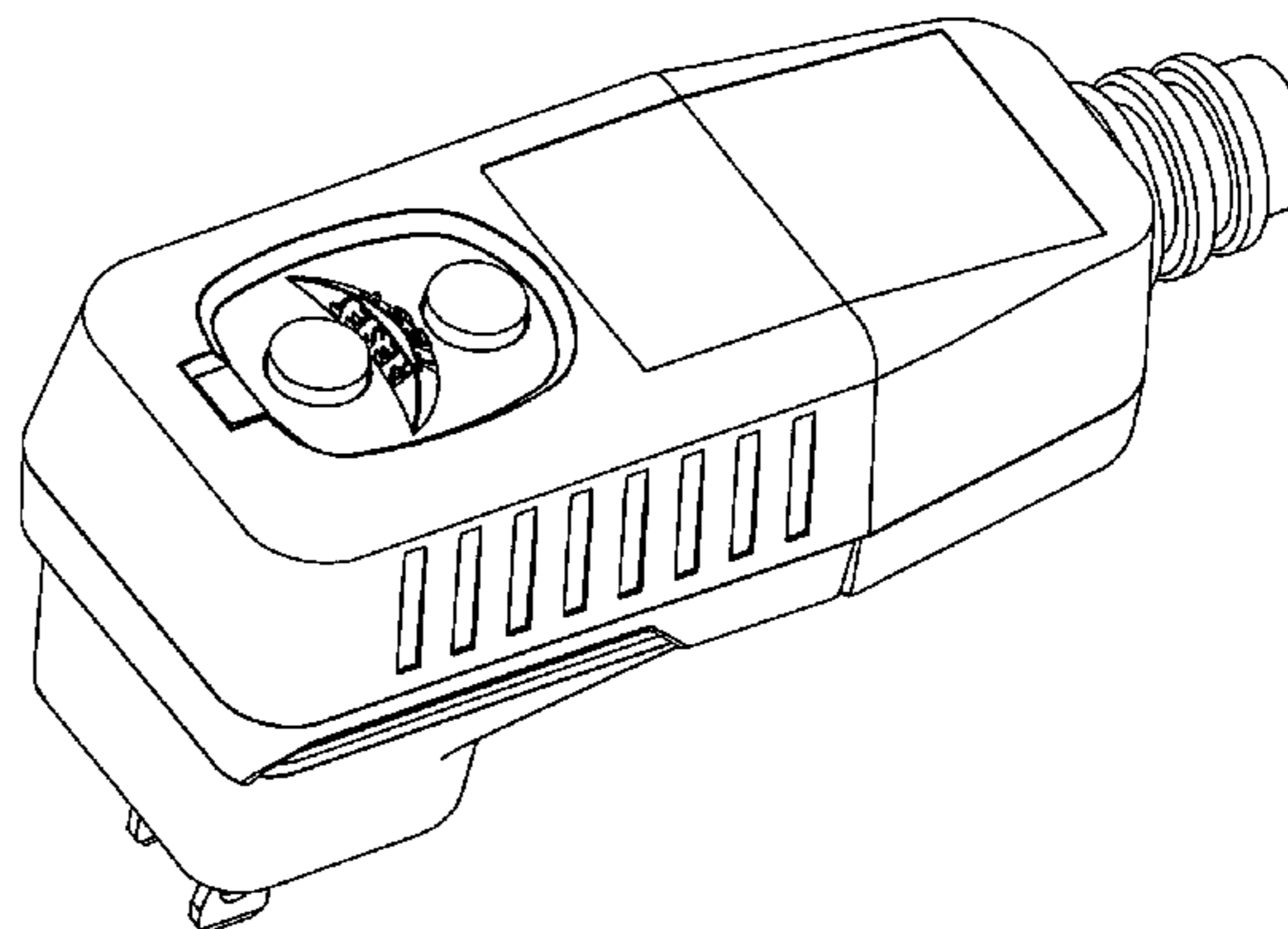
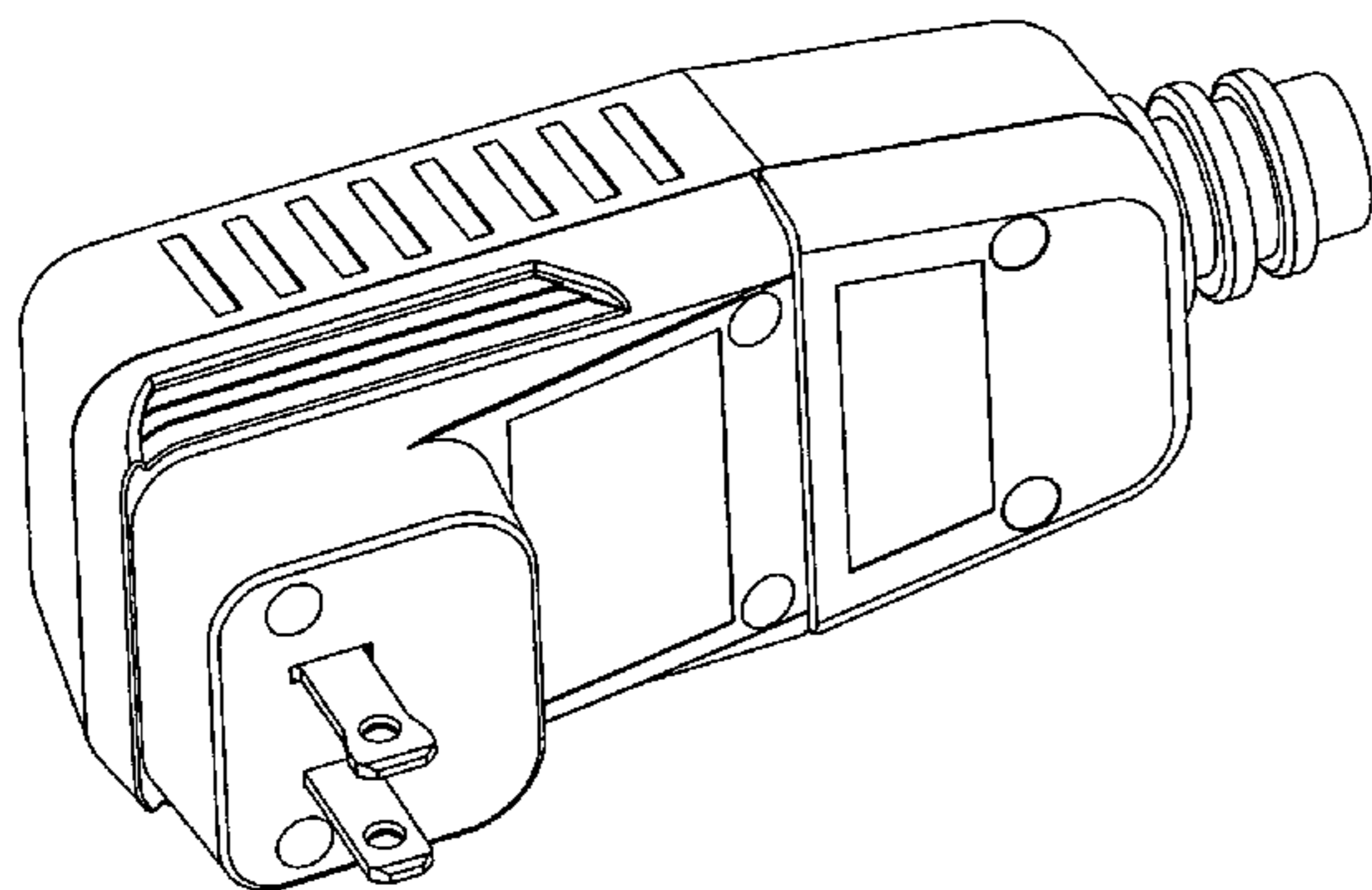
(57) **CLAIM**

The ornamental design for a ground fault circuit interrupter,
as shown and described.

DESCRIPTION

FIG. 1 is a bottom perspective view of a ground fault circuit interrupter showing our new design;
FIG. 2 is a top perspective view of the ground fault circuit interrupter shown in FIG. 1;
FIG. 3 is a bottom plan view of the ground fault circuit interrupter shown in FIG. 1;
FIG. 4 is a front elevation view of the ground fault circuit interrupter shown in FIG. 1;
FIG. 5 is a top plan view of the ground fault circuit interrupter shown in FIG. 1;
FIG. 6 is a left side elevation view of the ground fault circuit interrupter shown in FIG. 1; and,
FIG. 7 is a right side elevation view of the ground fault circuit interrupter shown in FIG. 1, with the broken lines being used to depict the inner details of the cord.

1 Claim, 7 Drawing Sheets



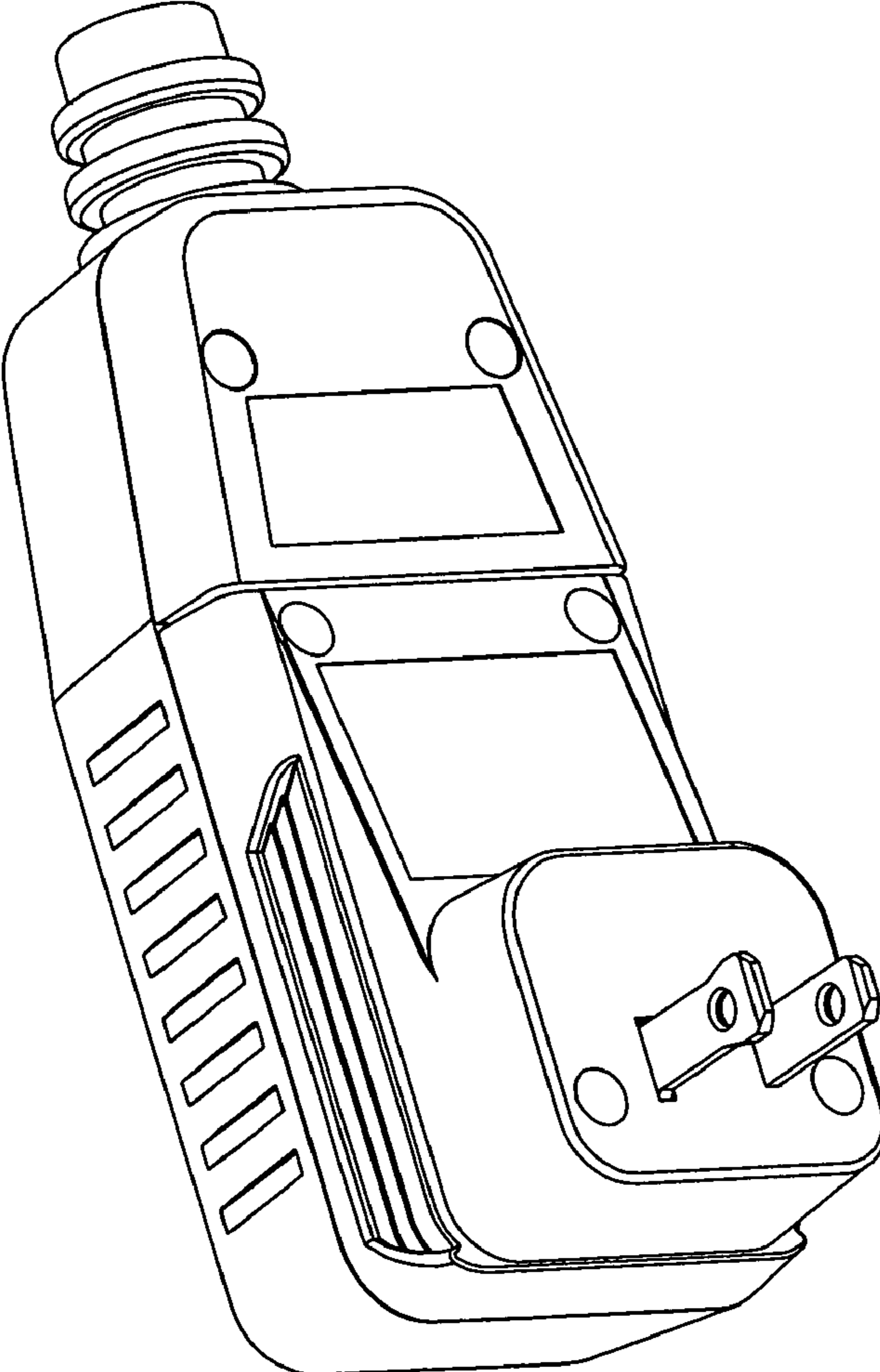


Fig. 1

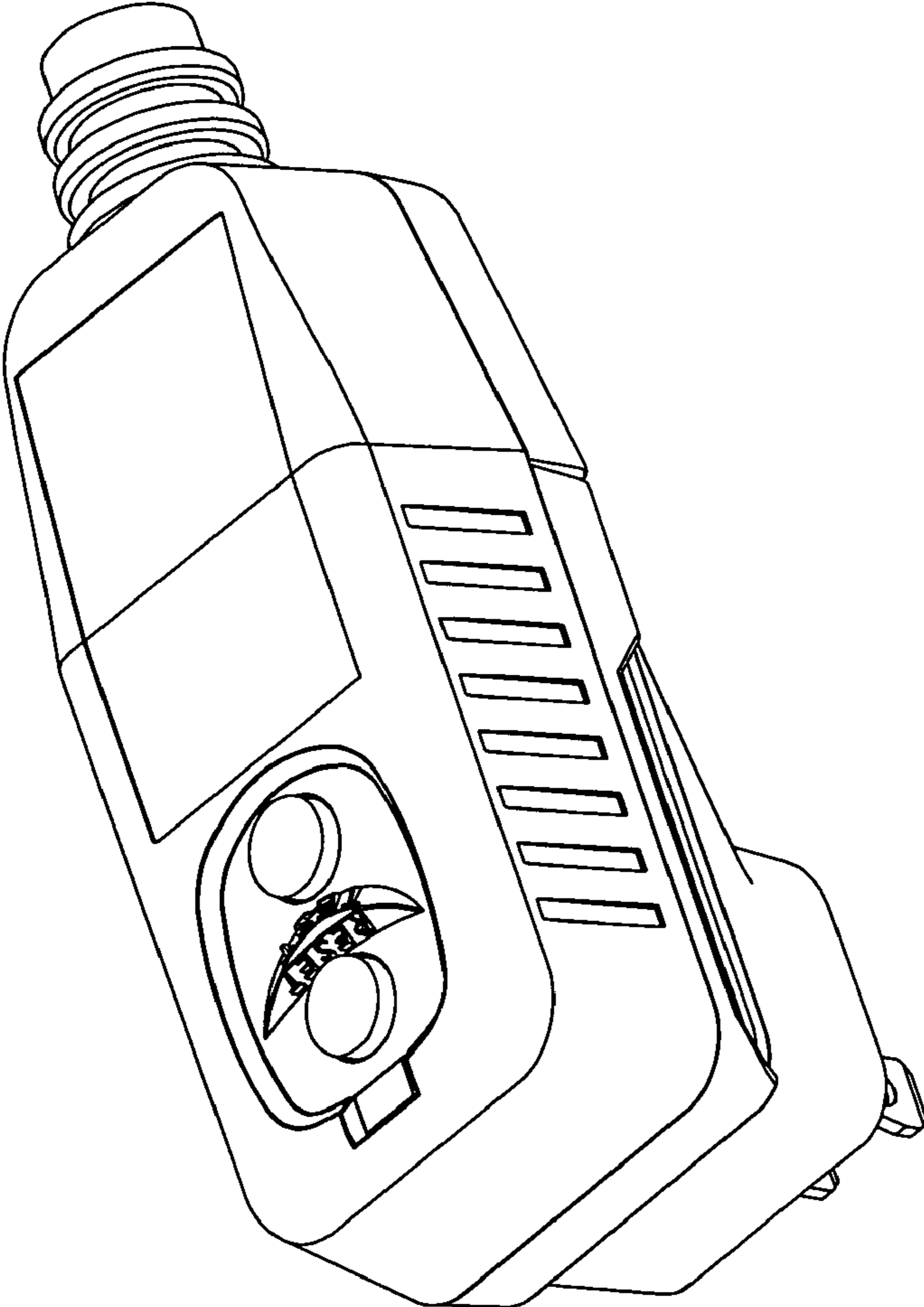


Fig. 2

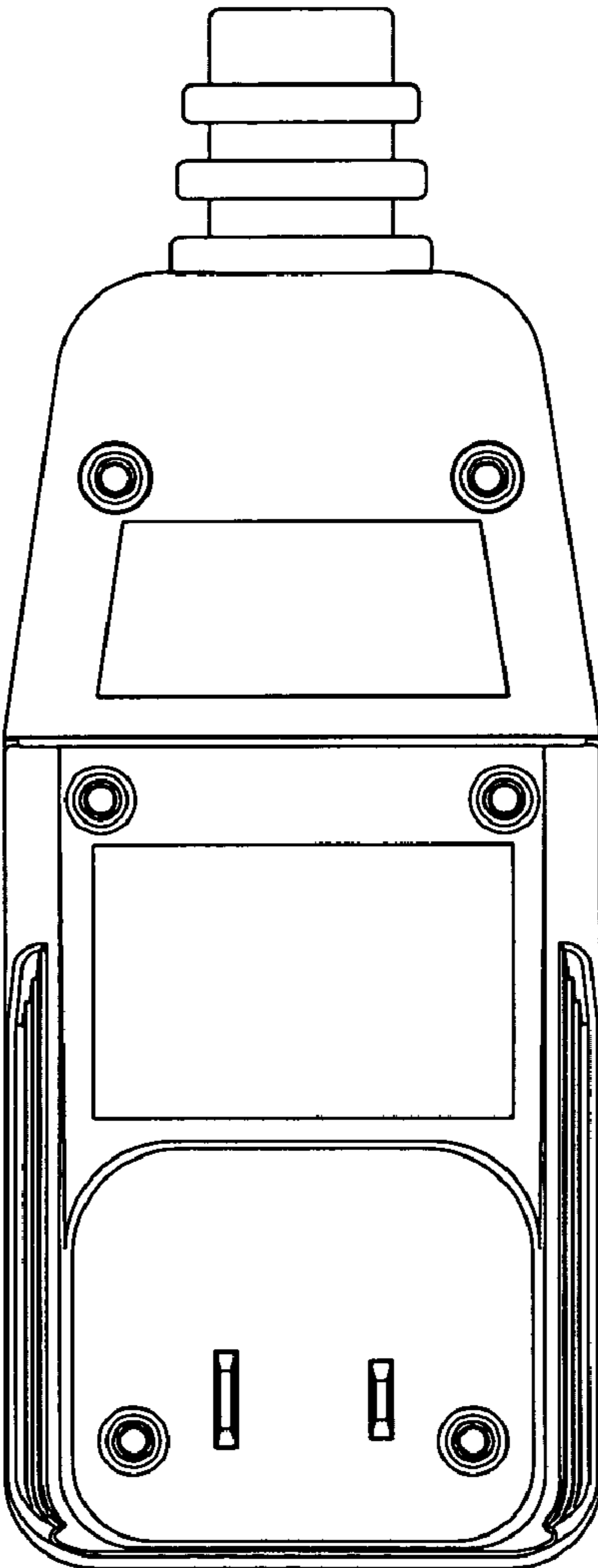


Fig. 3

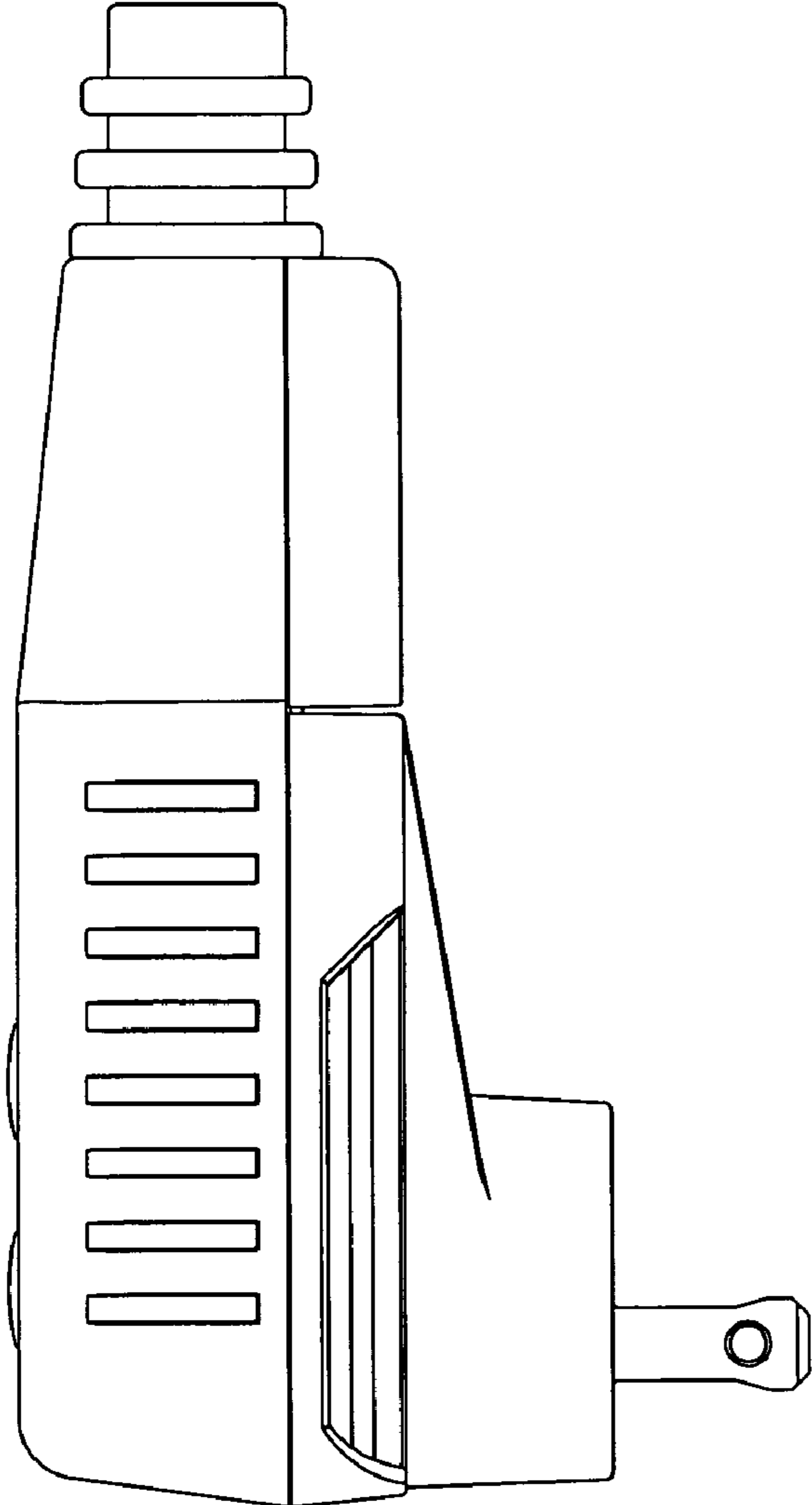


Fig. 4

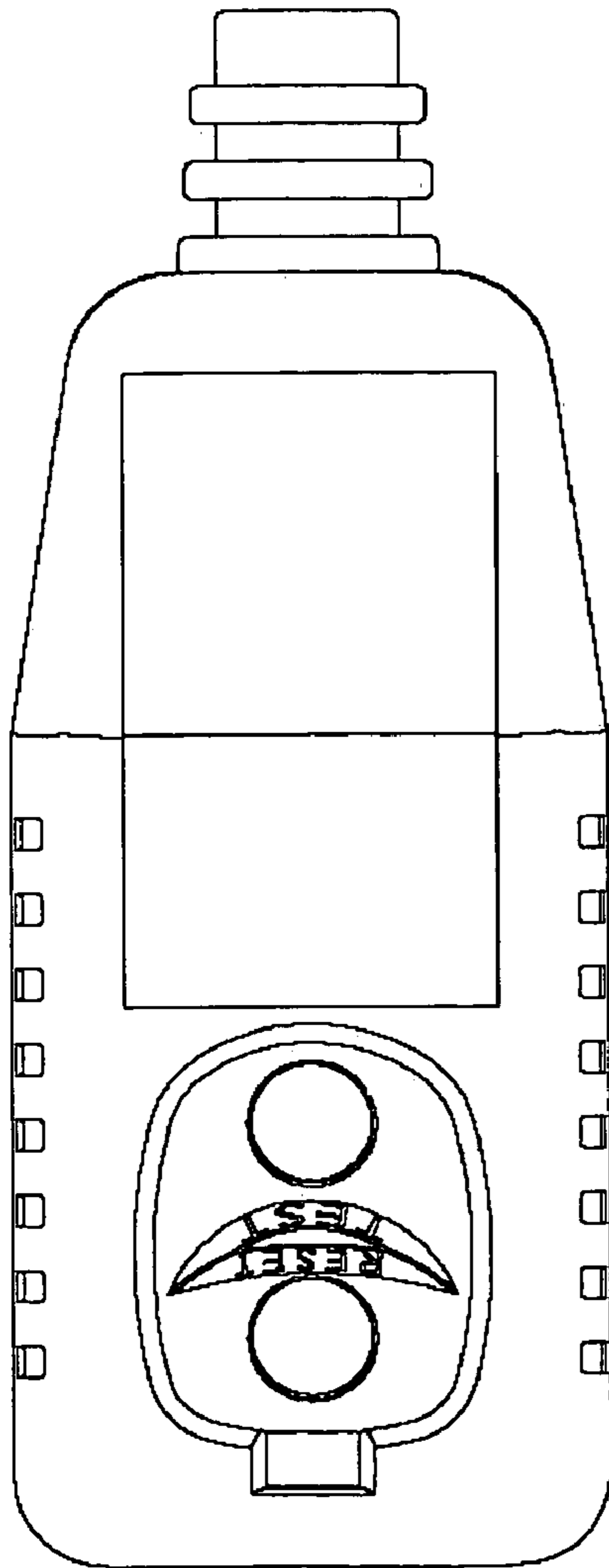


Fig. 5

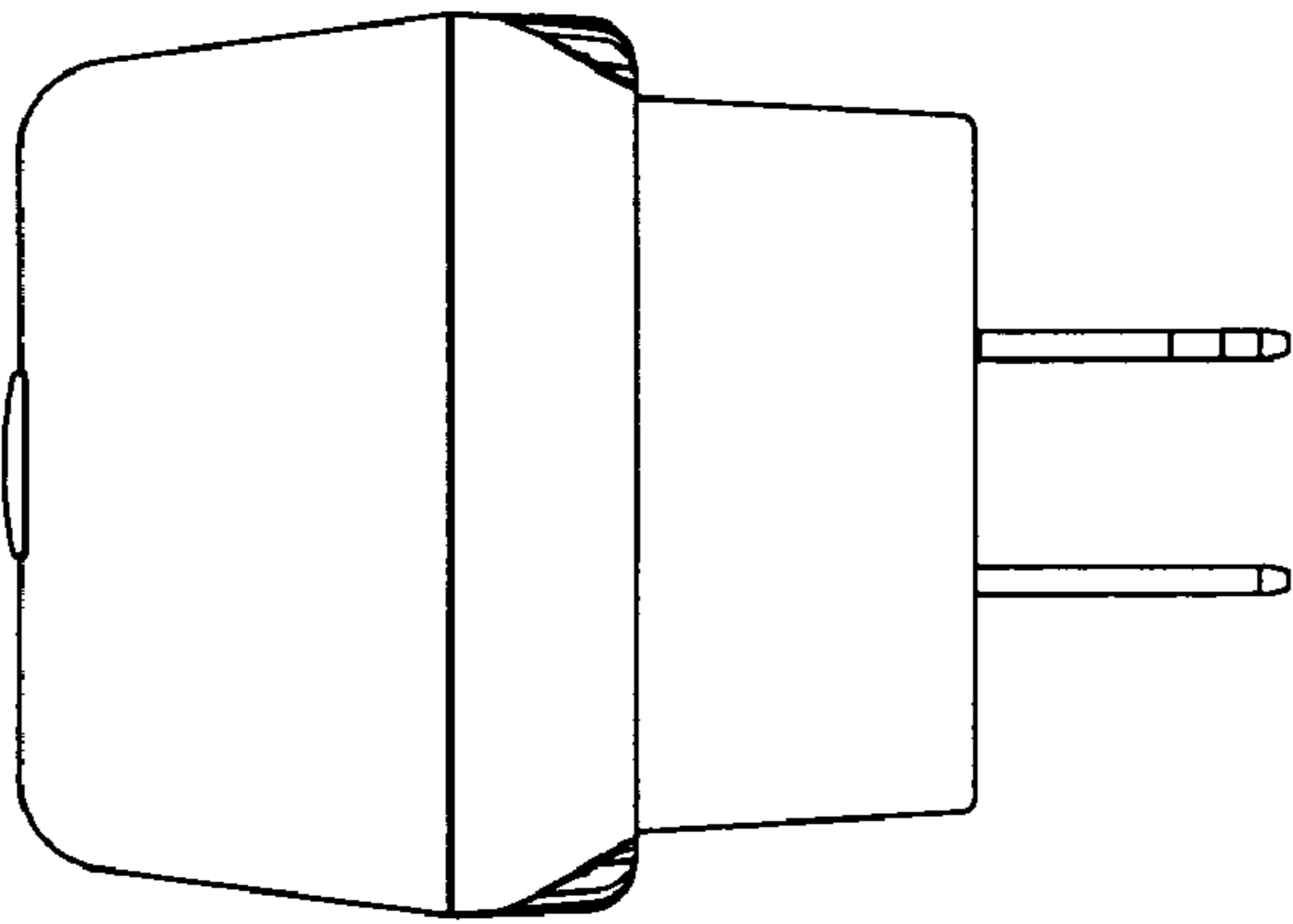


Fig. 6

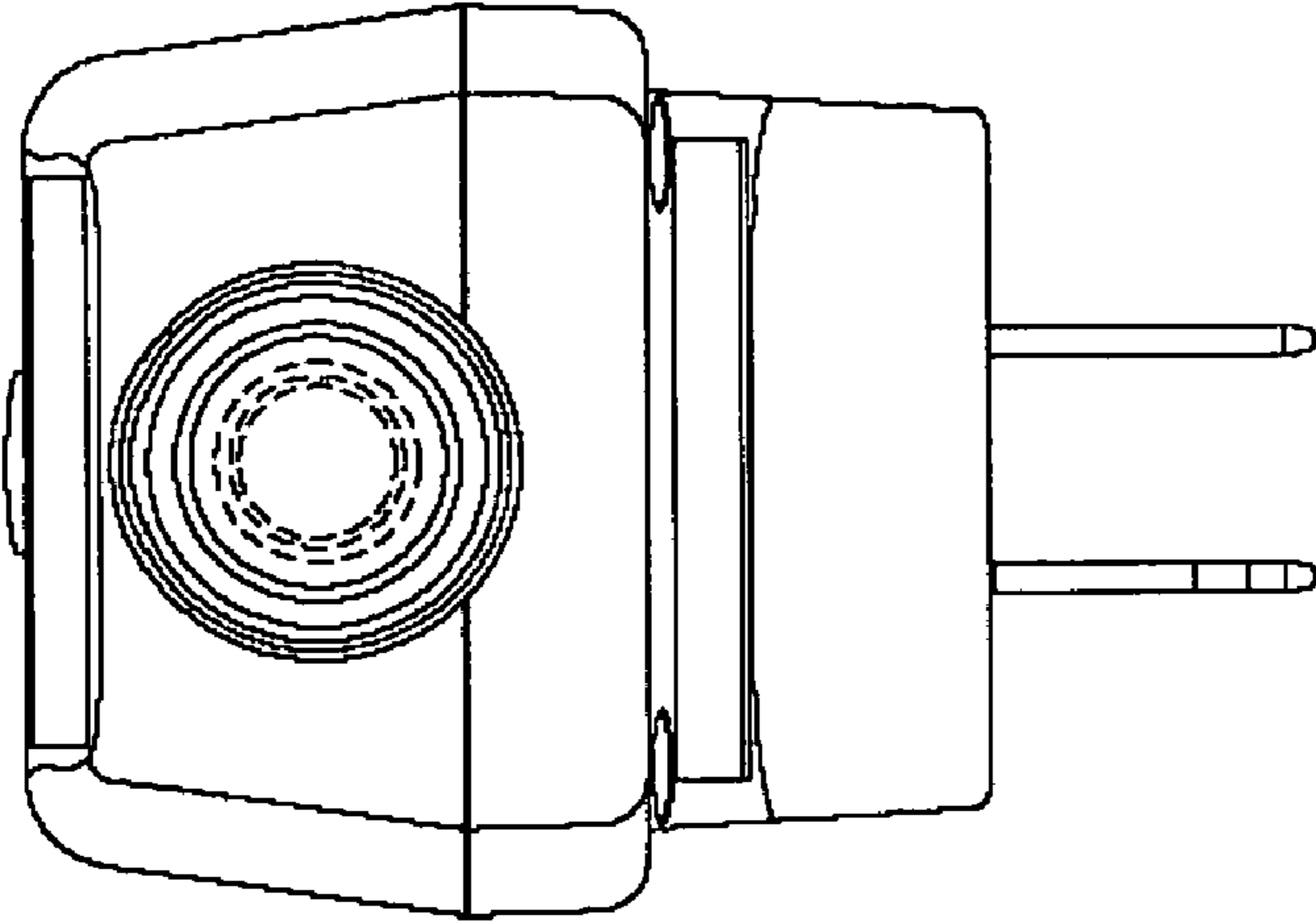


Fig. 7