



US00D633868S

(12) **United States Design Patent**
Cullen et al.

(10) **Patent No.:** **US D633,868 S**
(45) **Date of Patent:** **** Mar. 8, 2011**

(54) **DOUBLE PLUG ADAPTER**

D523,397 S * 6/2006 Maglionico et al. D13/137.2
D581,870 S * 12/2008 Zhou D13/137.2
D610,092 S 2/2010 Jimenez et al.

(75) Inventors: **Mathew Cullen**, Los Angeles, CA (US);
Javier Jimenez, Pacific Palisades, CA
(US)

(73) Assignee: **Motion Theory, Inc.**, Los Angeles, CA
(US)

(**) Term: **14 Years**

(21) Appl. No.: **29/364,132**

(22) Filed: **Jun. 18, 2010**

(51) **LOC (9) Cl.** **13-03**

(52) **U.S. Cl.** **D13/137.2**

(58) **Field of Classification Search** D13/137.1,
D13/137.3, 139.1, 139.3, 139.6–139.8, 184;
D14/433; 174/53–58, 66; 439/105–107,
439/535, 650–655, 692

See application file for complete search history.

(56) **References Cited**

U.S. PATENT DOCUMENTS

D187,269 S * 2/1960 Carlson D13/137.1
D195,955 S * 8/1963 Carlson D13/137.1
D216,262 S * 12/1969 Robinson D13/137.2
D243,403 S * 2/1977 Rellis D13/137.1
D467,873 S * 12/2002 Yu D13/137.2
D512,963 S * 12/2005 Lee D13/137.2

OTHER PUBLICATIONS

U.S. Appl. No. 29/364,104.
U.S. Appl. No. 29/364,112.
U.S. Appl. No. 29/364,139.
U.S. Appl. No. 29/364,152.
Issue Notification for U.S. Appl. No. 29/344,381.
U.S. Appl. No. 29/344,381.

* cited by examiner

Primary Examiner — Rosemary K. Tarcza

(74) *Attorney, Agent, or Firm* — Hansen IP Law PLLC

(57) **CLAIM**

The ornamental design for a double plug adapter, as shown and described.

DESCRIPTION

FIG. 1 is a perspective view of a double plug adapter in accordance with a preferred embodiment of the claimed design;

FIG. 2 is a front elevational view thereof;

FIG. 3 is a rear elevational view thereof;

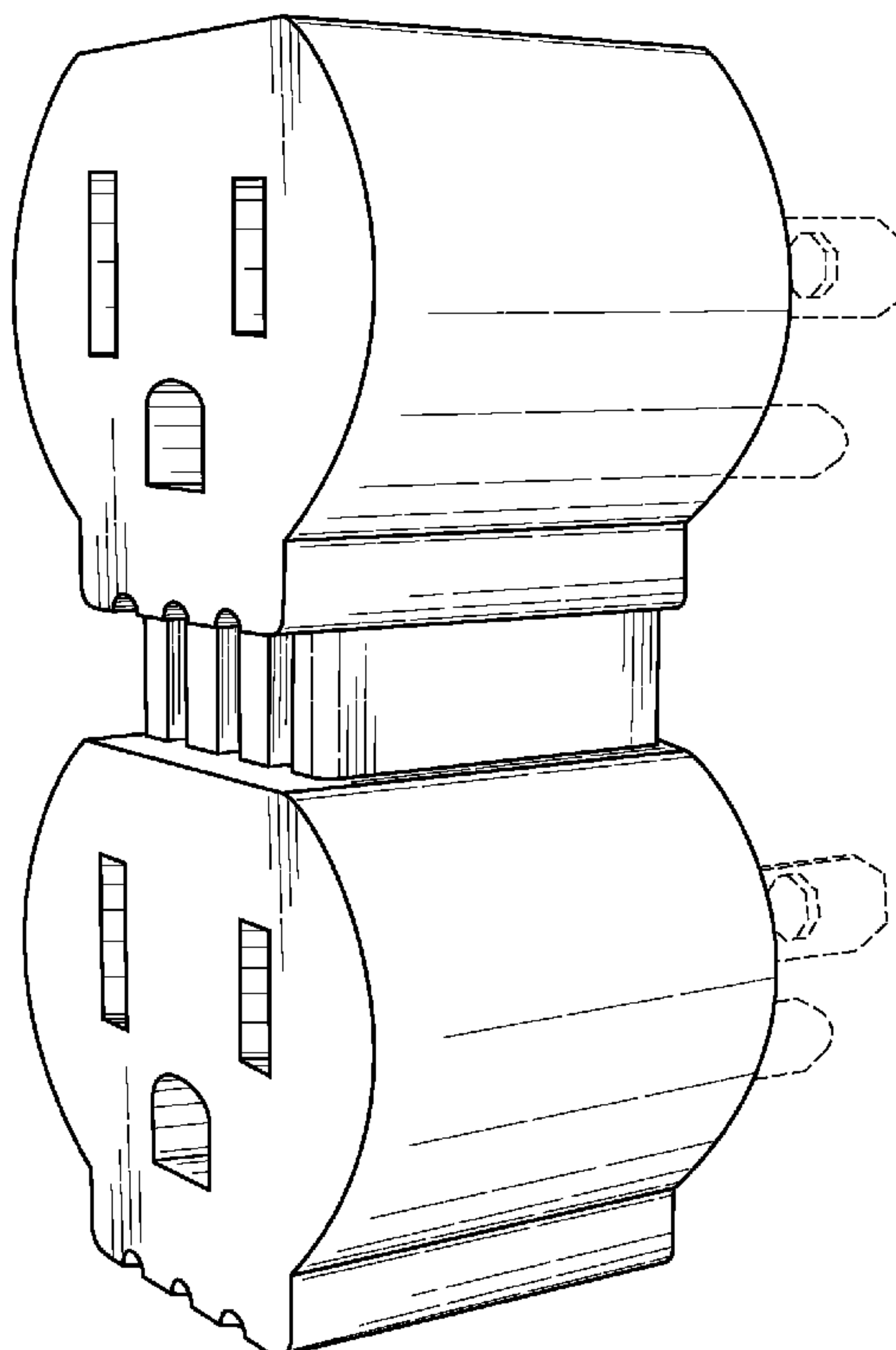
FIG. 4 is a top plan view thereof;

FIG. 5 is a bottom plan view thereof; and,

FIG. 6 is a first side elevational view thereof and a mirror image of the opposite side thereof.

The broken lines shown in FIGS. 1, 3, and 4-6 are for purposes of illustrating environmental structure and form no part of the claimed design.

1 Claim, 4 Drawing Sheets



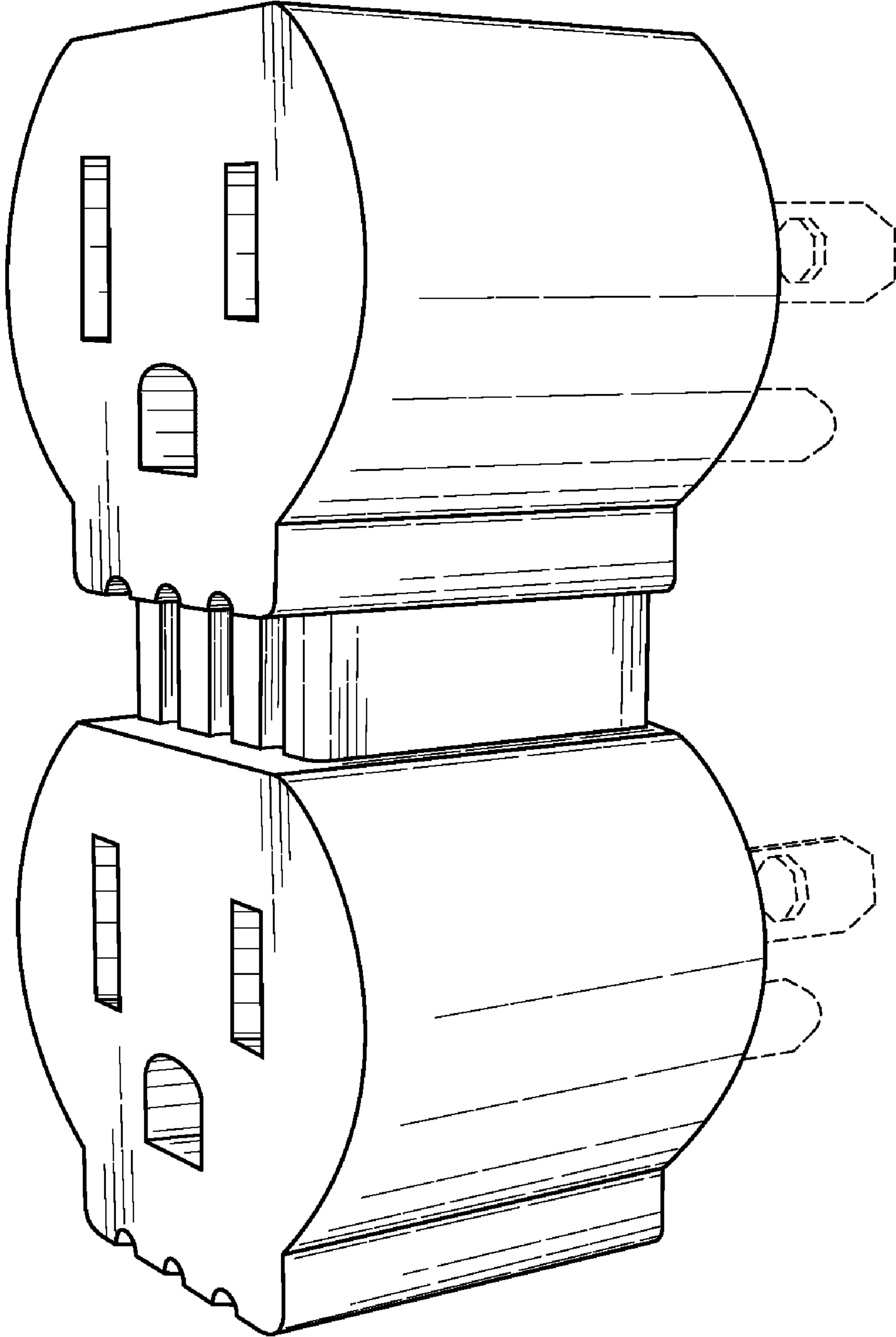


FIG. 1

FIG. 3

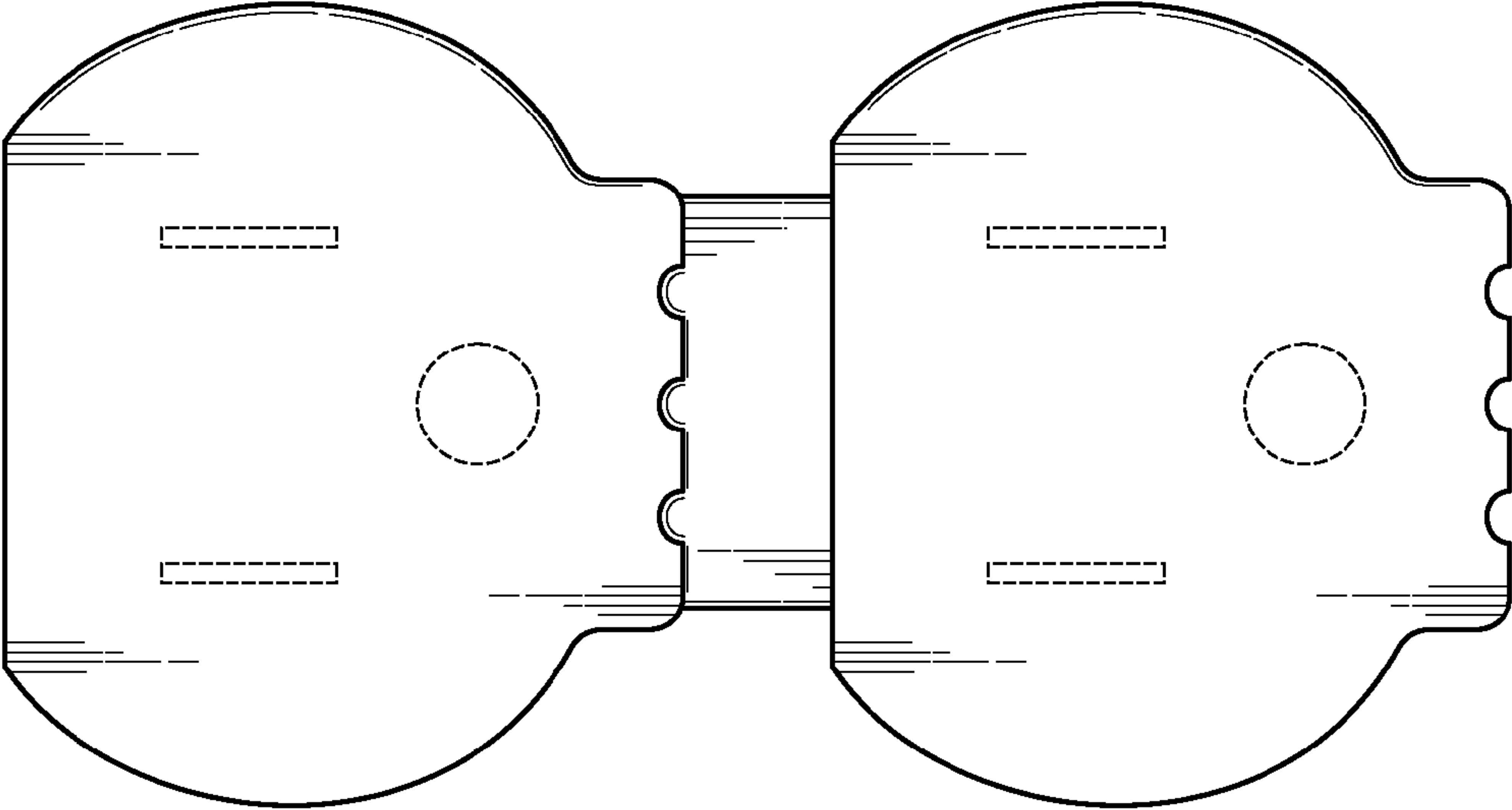
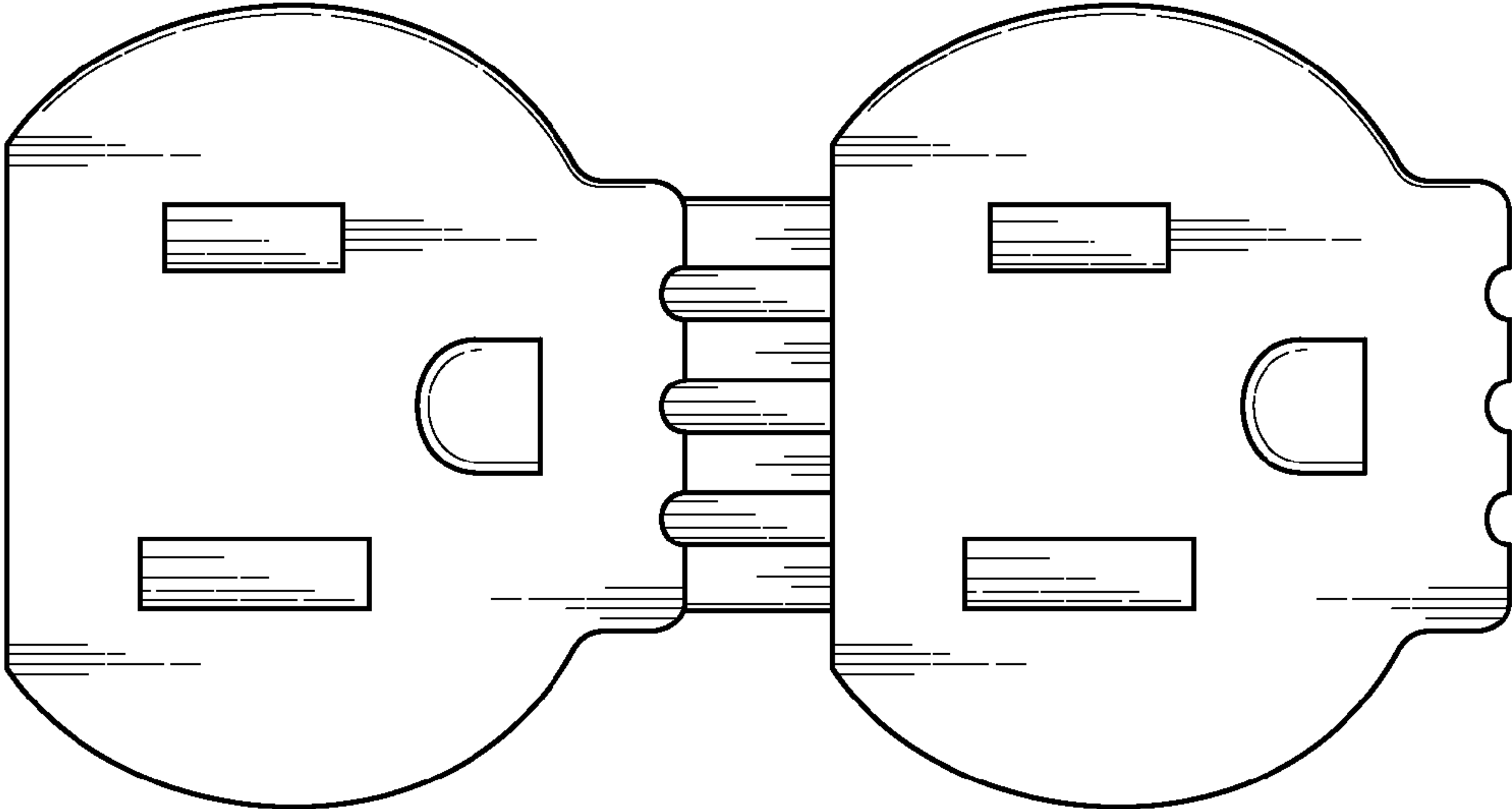


FIG. 2



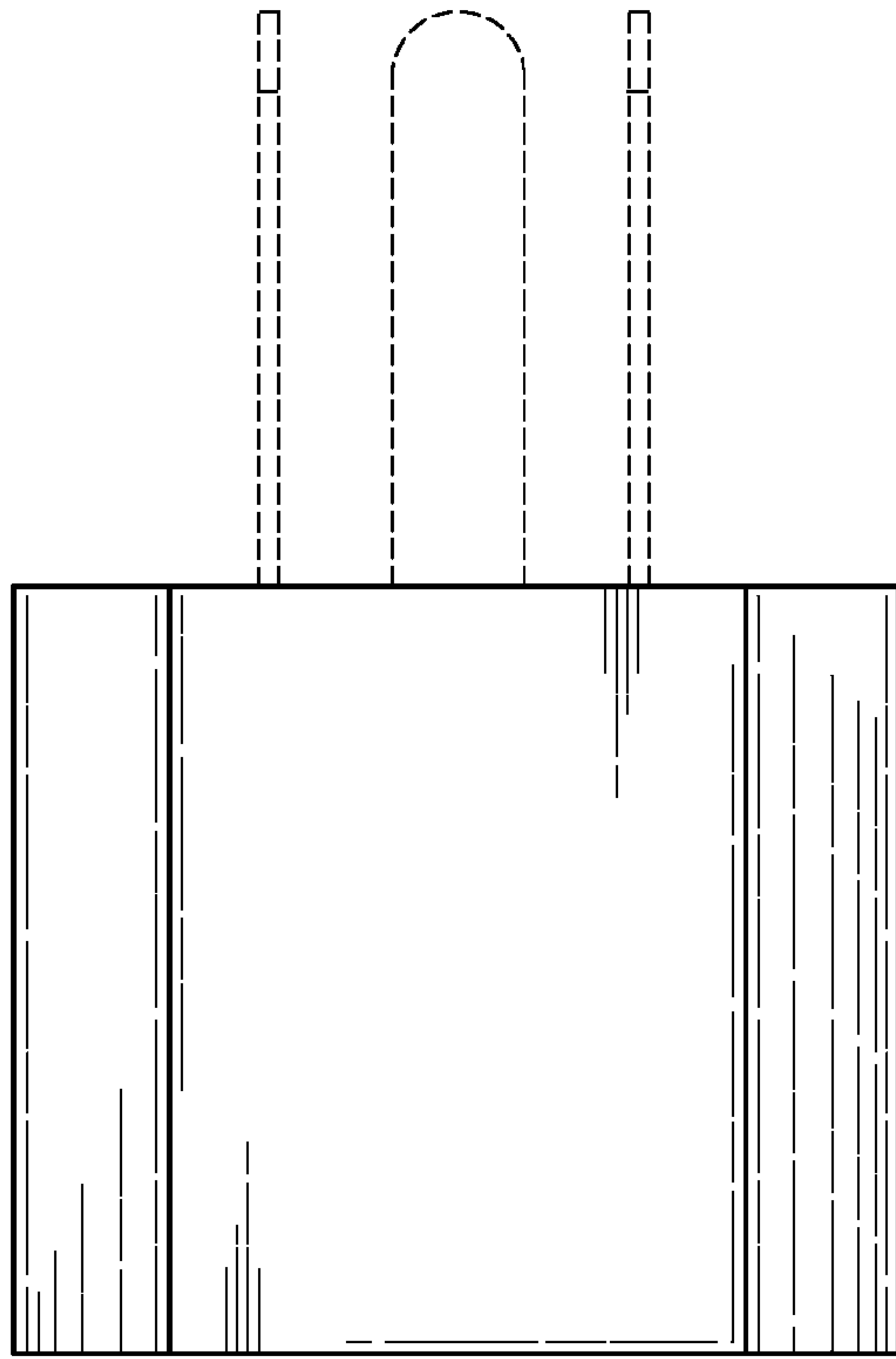


FIG. 4

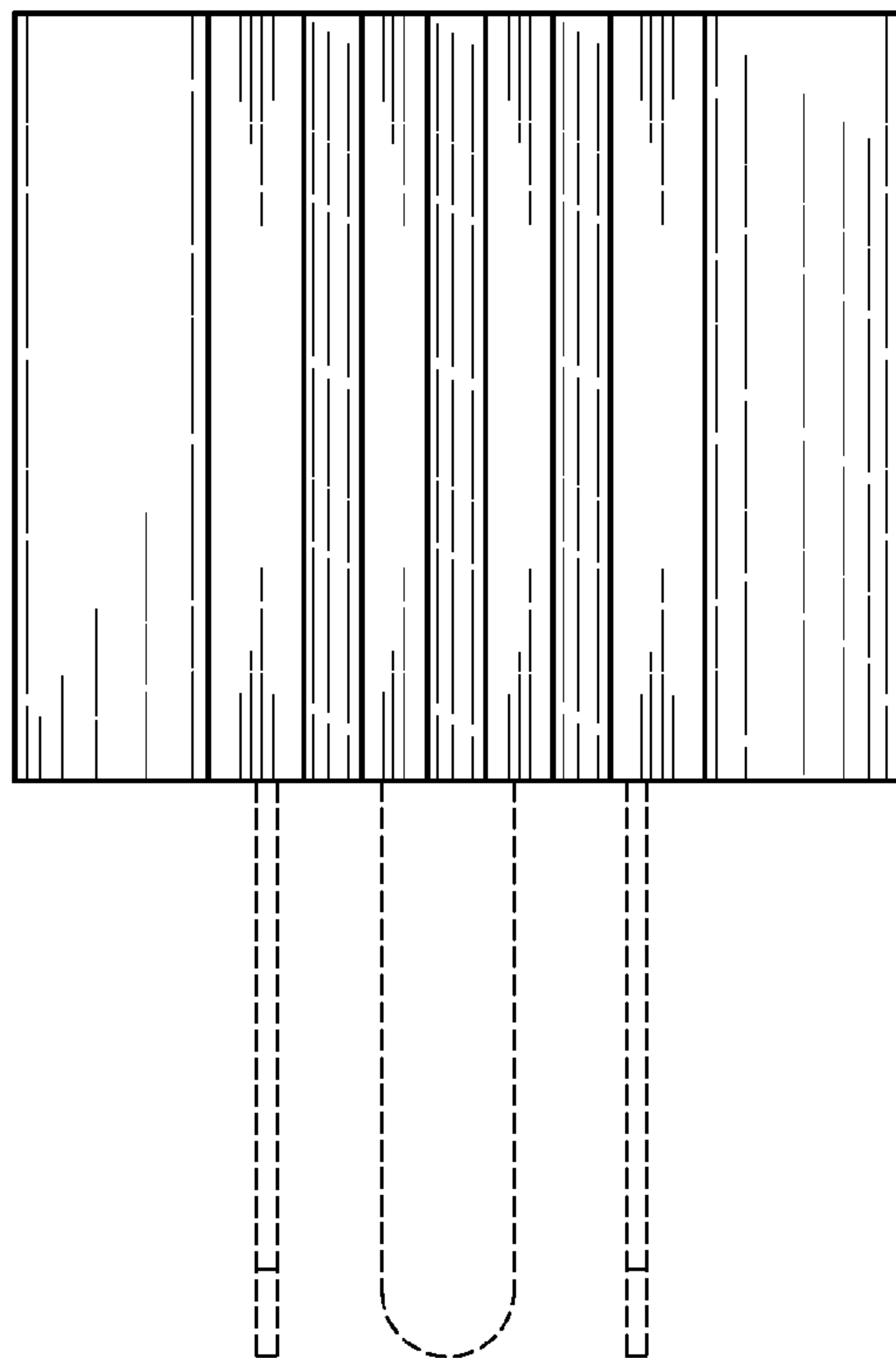


FIG. 5

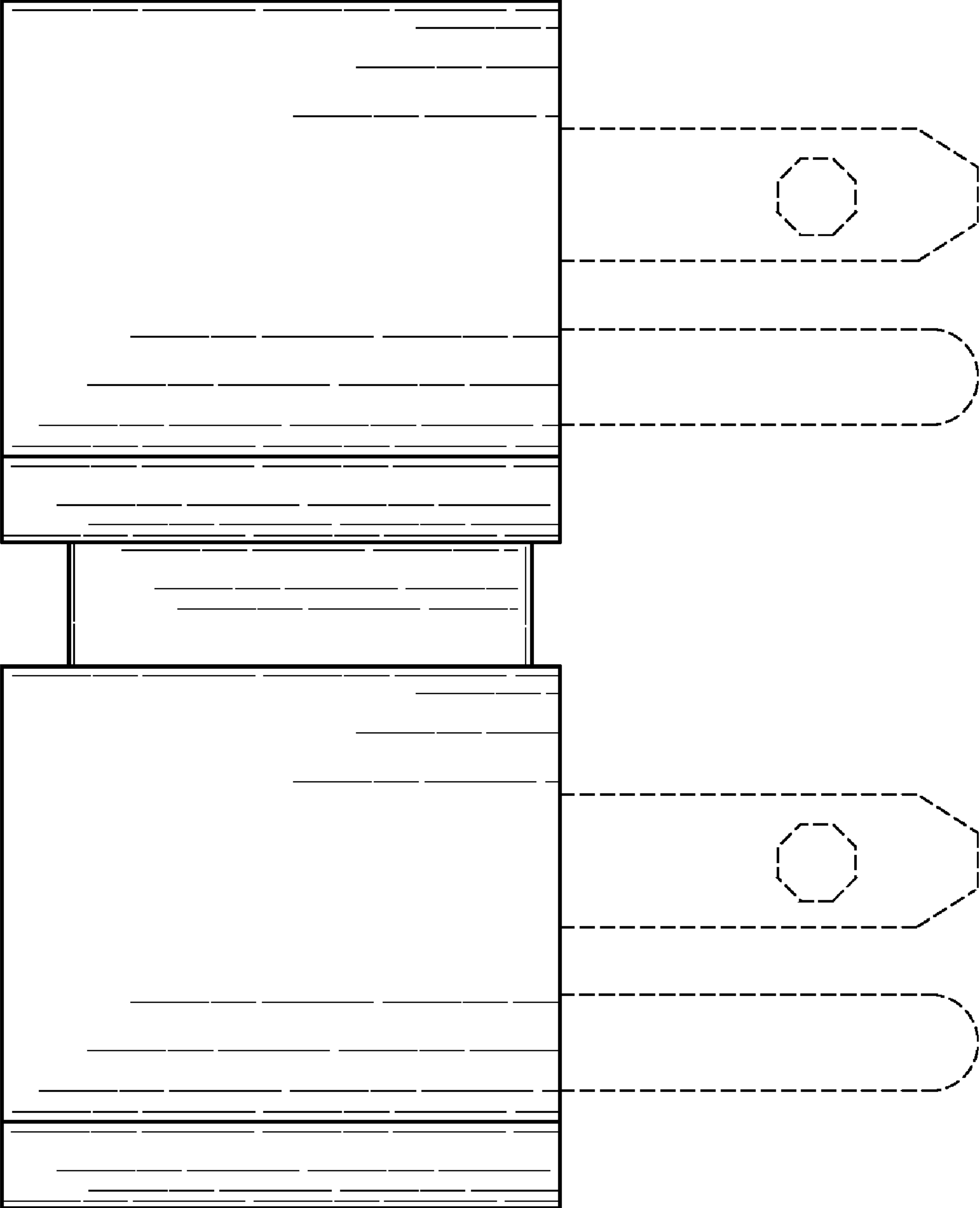


FIG. 6