



US00D633867S

(12) **United States Design Patent**  
**Sasaki et al.**

(10) **Patent No.:** **US D633,867 S**  
(45) **Date of Patent:** **\*\* Mar. 8, 2011**

(54) **ELECTRIC MOTOR**

D551,167 S \* 9/2007 Kubota et al. .... D13/112  
D579,869 S \* 11/2008 Lau et al. .... D13/112

(75) Inventors: **Hiroshi Sasaki**, Osaka (JP); **Toshifumi Tsutsumi**, Osaka (JP)

**FOREIGN PATENT DOCUMENTS**

(73) Assignee: **Panasonic Corporation**, Osaka (JP)

JP	D1255084	11/2005
JP	D1255085	11/2005
JP	D1255087	11/2005
JP	D1316104	12/2007
JP	D1328243	4/2008

(\*\*) Term: **14 Years**

\* cited by examiner

(21) Appl. No.: **29/368,121**

*Primary Examiner*—Stella M Reid

(22) Filed: **Aug. 18, 2010**

*Assistant Examiner*—Derrick Holland

(30) **Foreign Application Priority Data**

(74) *Attorney, Agent, or Firm*—Brinks Hofer Gilson & Lione

Mar. 8, 2010 (JP) ..... 2010-005518

(57) **CLAIM**

(51) **LOC (9) Cl.** ..... **13-01**

We claim the ornamental design for an electric motor, as shown and described.

(52) **U.S. Cl.** ..... **D13/112**

(58) **Field of Classification Search** ..... D13/112,  
D13/113, 114, 122, 199; D15/3, 5, 199;  
74/606 R, 609; 310/10, 40 R, 42, 51, 58,  
310/71, 80, 83, 85, 89, 91, 109, 236, 239,  
310/254; 318/245, 255

**DESCRIPTION**

See application file for complete search history.

FIG. 1 is a front perspective view of an electric motor of the present invention;

(56) **References Cited**

**U.S. PATENT DOCUMENTS**

D194,910 S *	4/1963	Lindt et al.	.....	D13/112
D327,051 S *	6/1992	Schwartz	.....	D13/118
D364,375 S *	11/1995	Sakashita et al.	.....	D13/112
6,028,384 A *	2/2000	Billman et al.	.....	310/83
6,118,197 A *	9/2000	Bohlen	.....	310/89
D516,506 S *	3/2006	Ichimaru et al.	.....	D13/112

FIG. 2 is a rear perspective view thereof;

FIG. 3 is a front view thereof;

FIG. 4 is a rear view thereof;

FIG. 5 is a first side view thereof;

FIG. 6 is a second side view thereof;

FIG. 7 is a top view thereof; and,

FIG. 8 is a bottom view thereof.

**1 Claim, 8 Drawing Sheets**

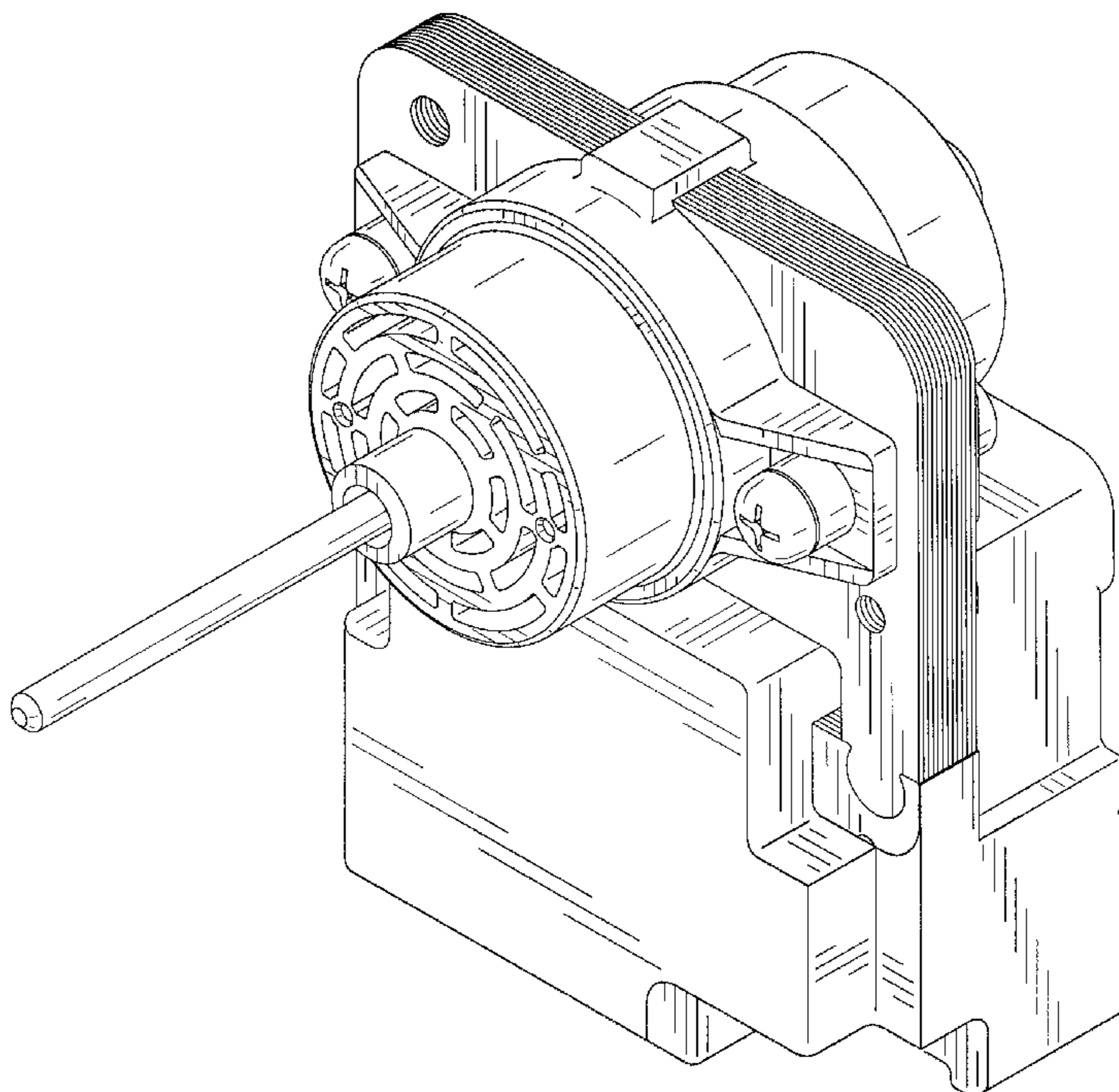


FIG.1

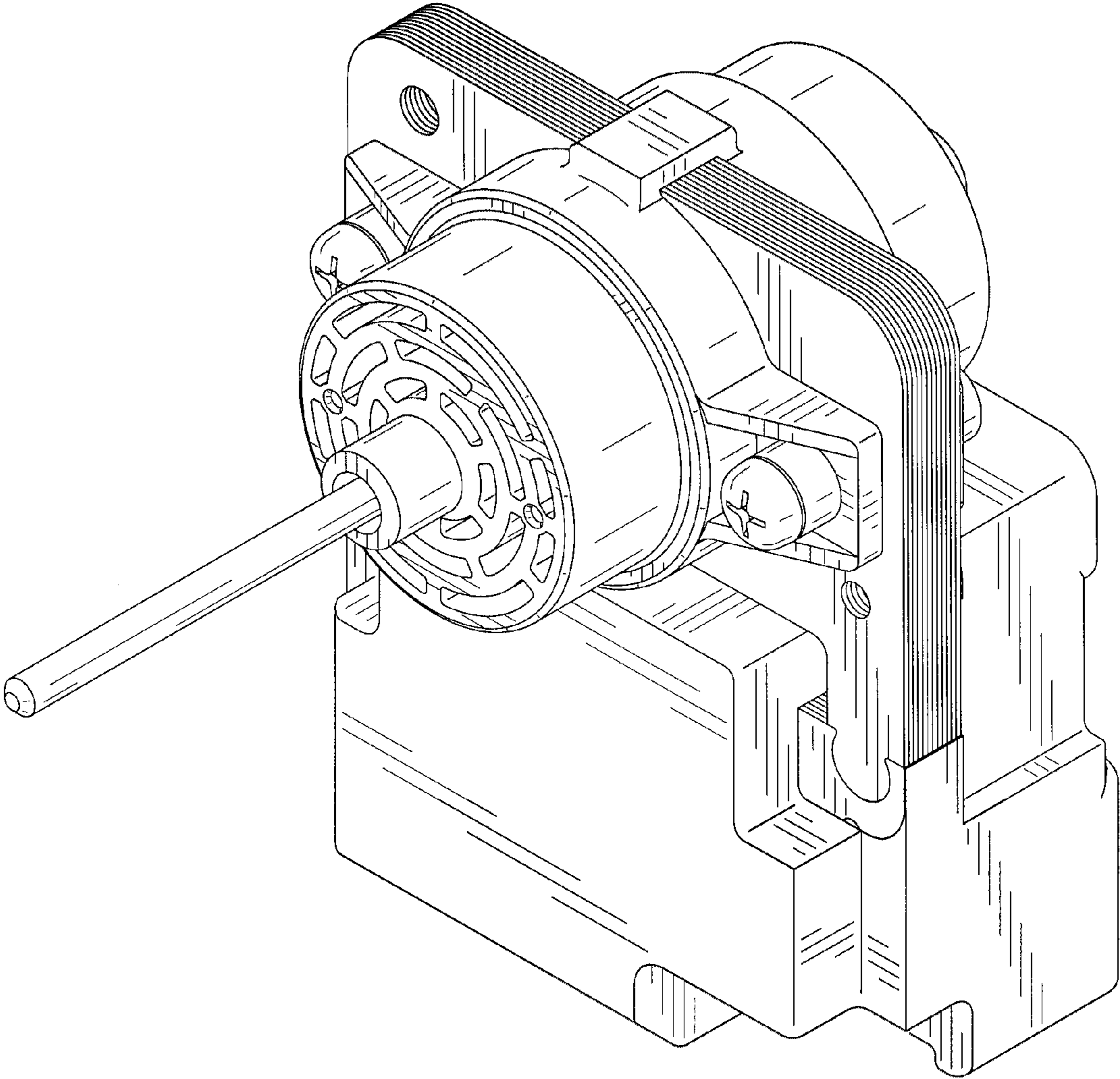


FIG.2

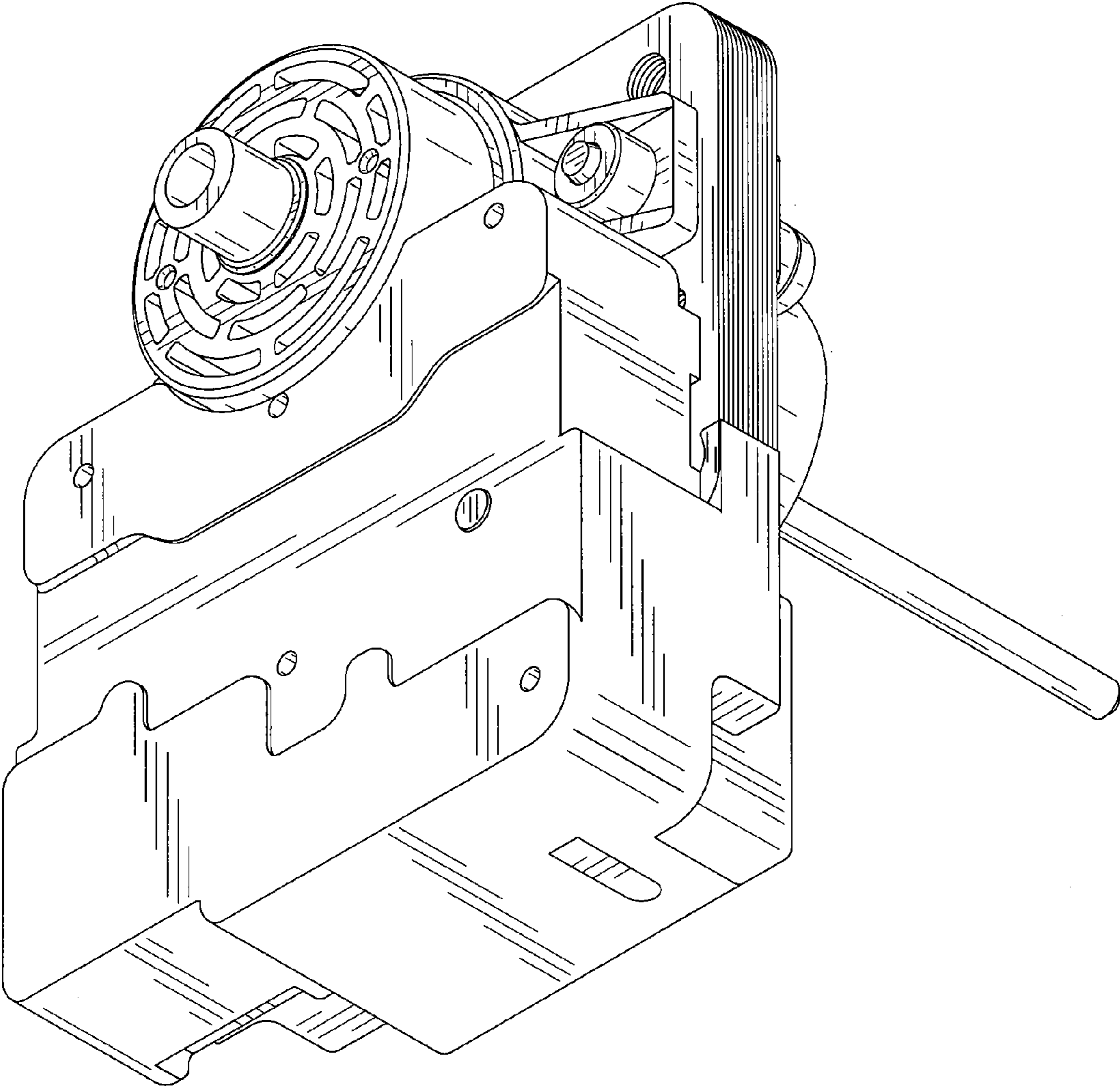


FIG.3

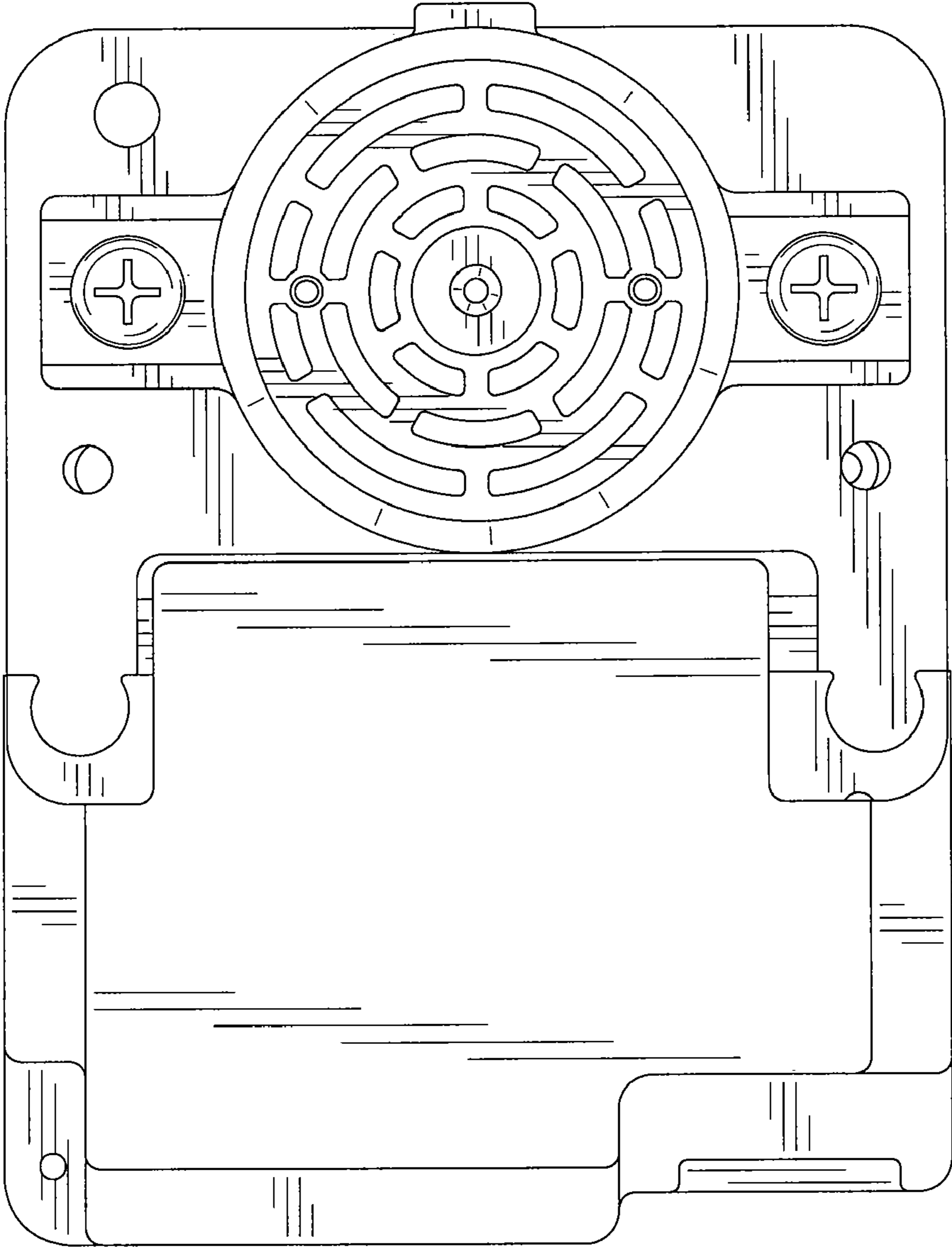


FIG.4

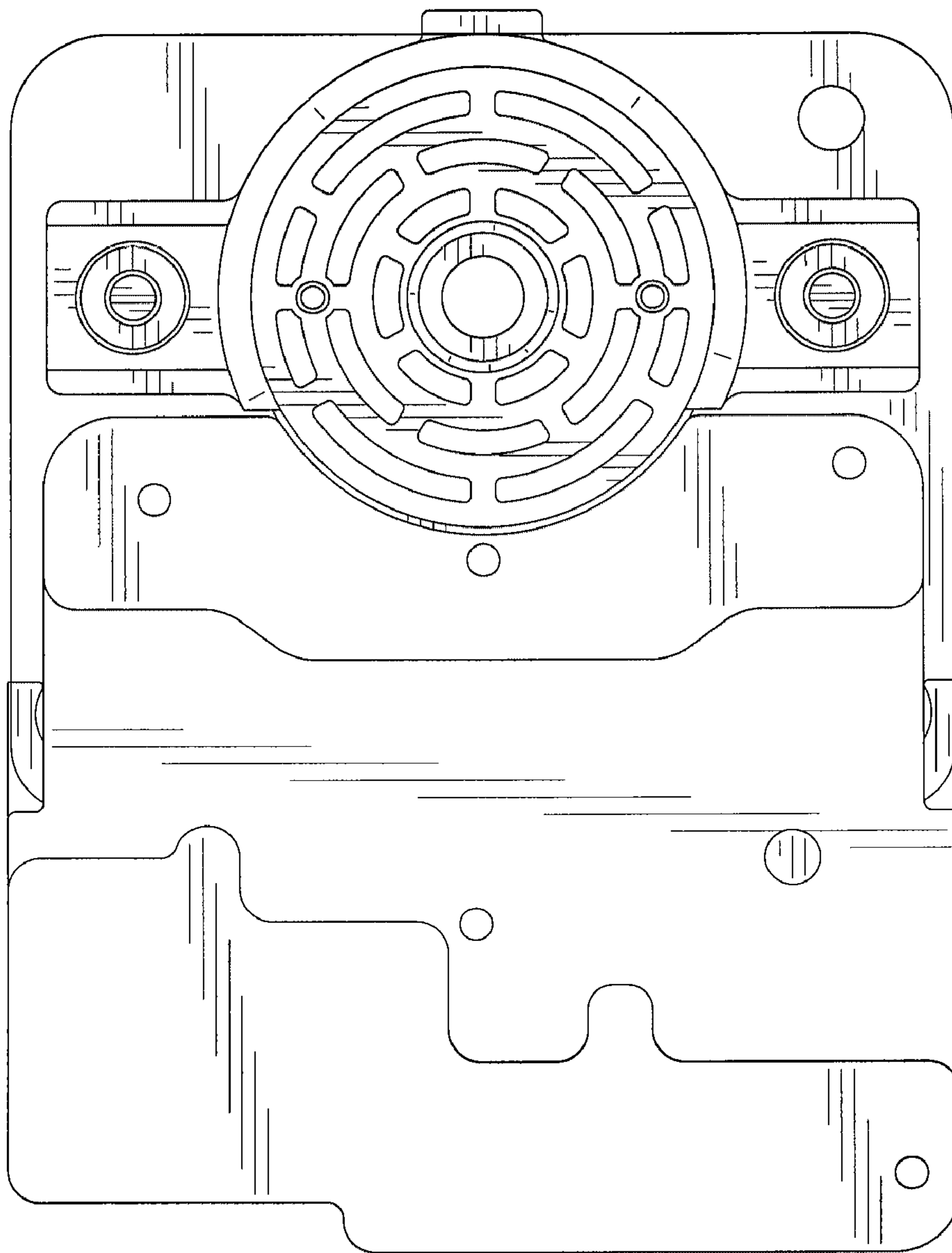
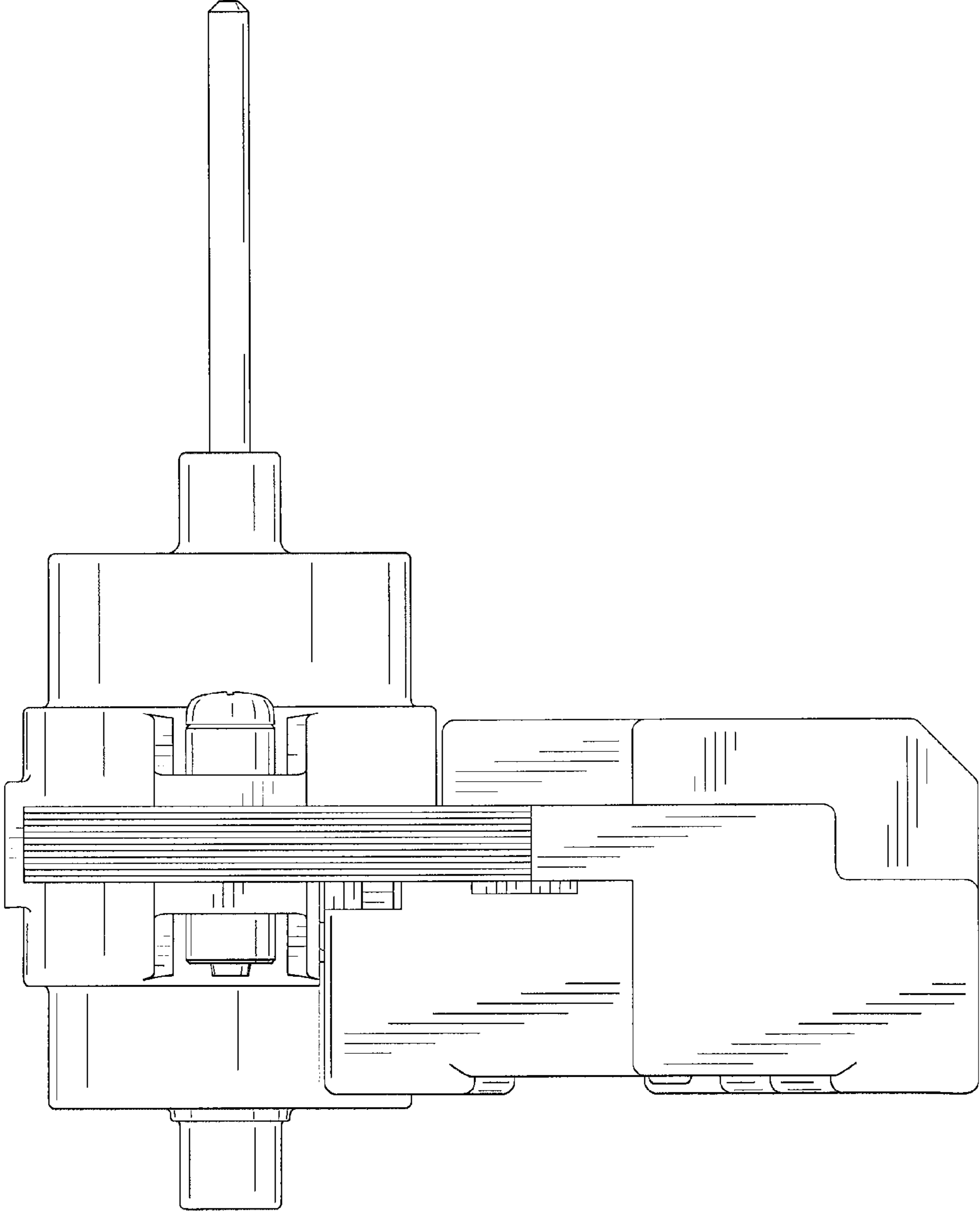


FIG.5



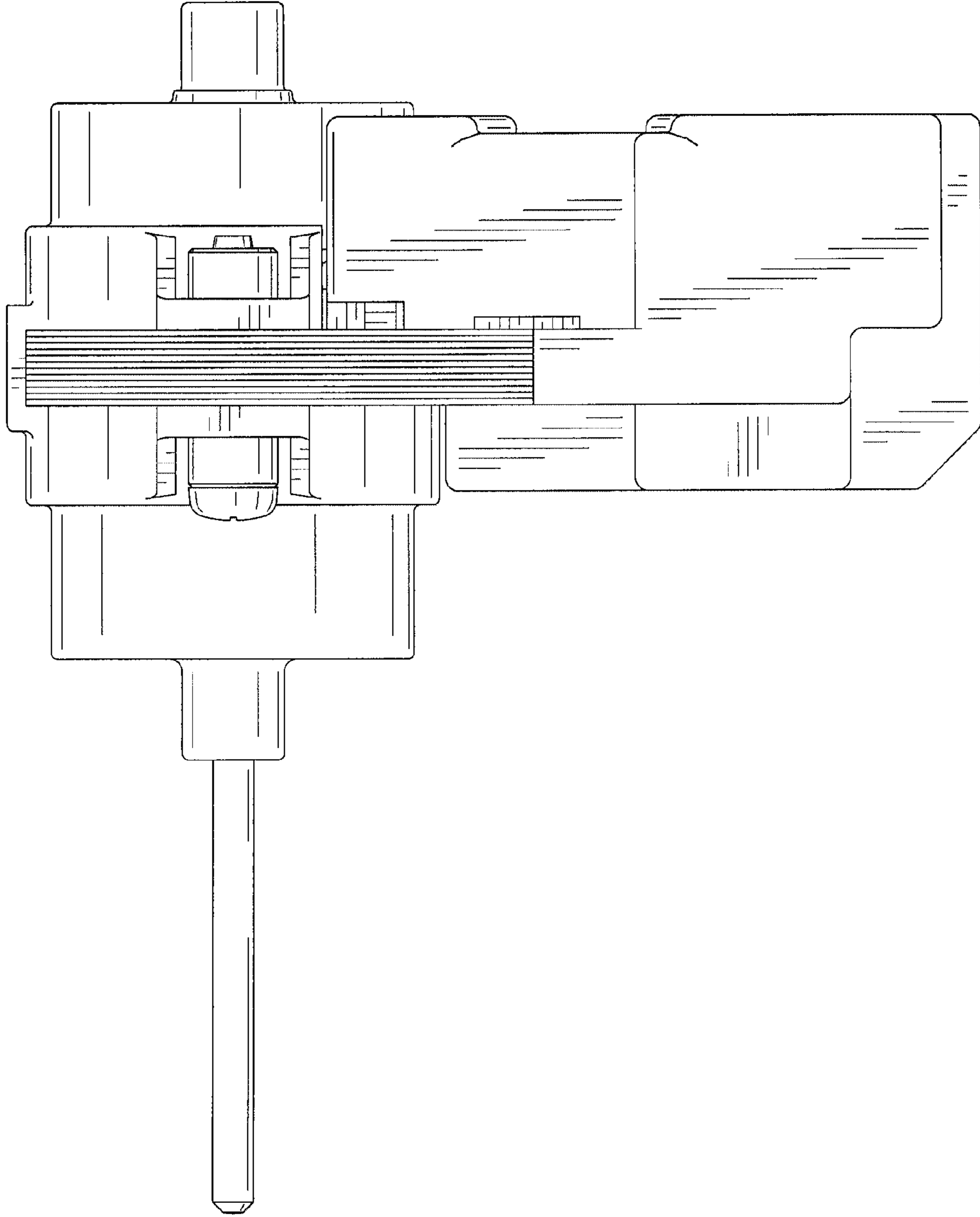


FIG. 6

FIG.7

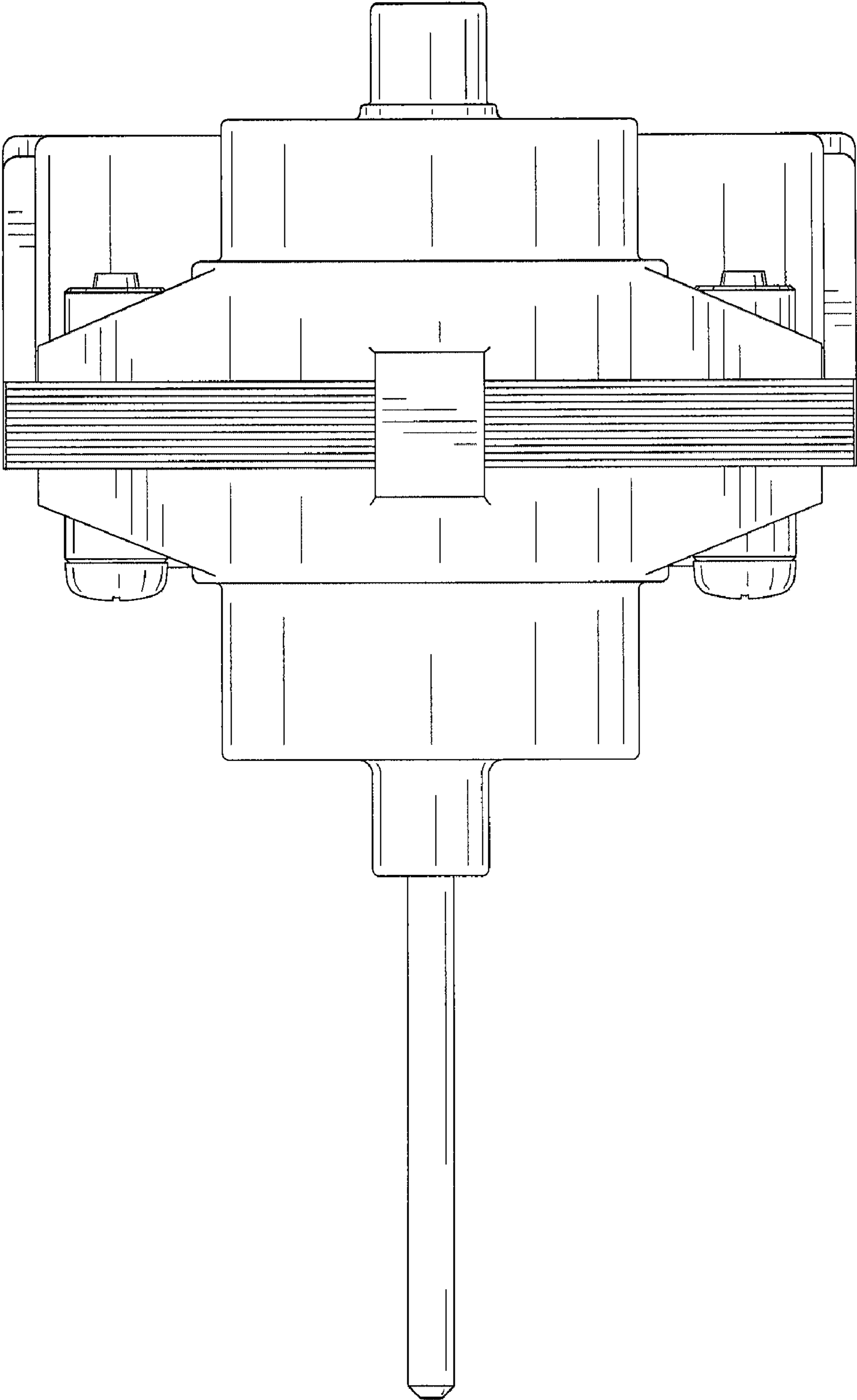




FIG.8

