



US00D633866S

(12) **United States Design Patent**  
**Qualls et al.**

(10) **Patent No.:** **US D633,866 S**

(45) **Date of Patent:** **\*\* Mar. 8, 2011**

(54) **SPIRAL WOUND BATTERY**

(75) Inventors: **Lee Qualls**, Milton, GA (US); **Layna Mendlinger**, Milton, GA (US); **John Bear**, Milton, GA (US); **Scott Cronrath**, Milton, GA (US); **Brian Westbrook**, Milton, GA (US); **Nick Kovalkevich**, Milton, GA (US); **T. Bruce Montgomery**, Milton, GA (US); **David Thimm**, Walled Lake, MI (US)

(73) Assignee: **Exide Technologies**, Milton, GA (US)

(\*\*) Term: **14 Years**

(21) Appl. No.: **29/361,750**

(22) Filed: **May 14, 2010**

(51) **LOC (9) Cl.** ..... **13-02**

(52) **U.S. Cl.** ..... **D13/106**

(58) **Field of Classification Search** ..... D13/102-106,  
D13/110, 118-121, 184, 199; 429/96-100,  
429/159, 163, 176, 178, 187

See application file for complete search history.

(56) **References Cited**

U.S. PATENT DOCUMENTS

D242,048 S \* 10/1976 Frode ..... D13/106  
D462,656 S \* 9/2002 Degen et al. .... D13/104  
D491,138 S \* 6/2004 Minato ..... D13/104

D609,178 S \* 2/2010 Mack ..... D13/104  
D609,631 S \* 2/2010 Mack ..... D13/104  
2009/0092890 A1 \* 4/2009 Wu ..... 429/99

\* cited by examiner

*Primary Examiner* — Rosemary K Tarcza

(74) *Attorney, Agent, or Firm* — Katten Muchin Rosenman LLP

(57) **CLAIM**

The ornamental design for a spiral wound battery, as shown and described.

**DESCRIPTION**

FIG. 1 is a top perspective view of an embodiment of a battery in accordance with the present invention. The battery includes terminals on the top, curved portions in the front and back, vertically ribbed portions on the sides, and rounded, protruding shoulder portions at each of the eight corners of the battery. In addition, the battery includes a series of small notches in a horizontal arrangement along a bottom portion of the front and back of the battery. The sides of the battery are recessed inwardly.

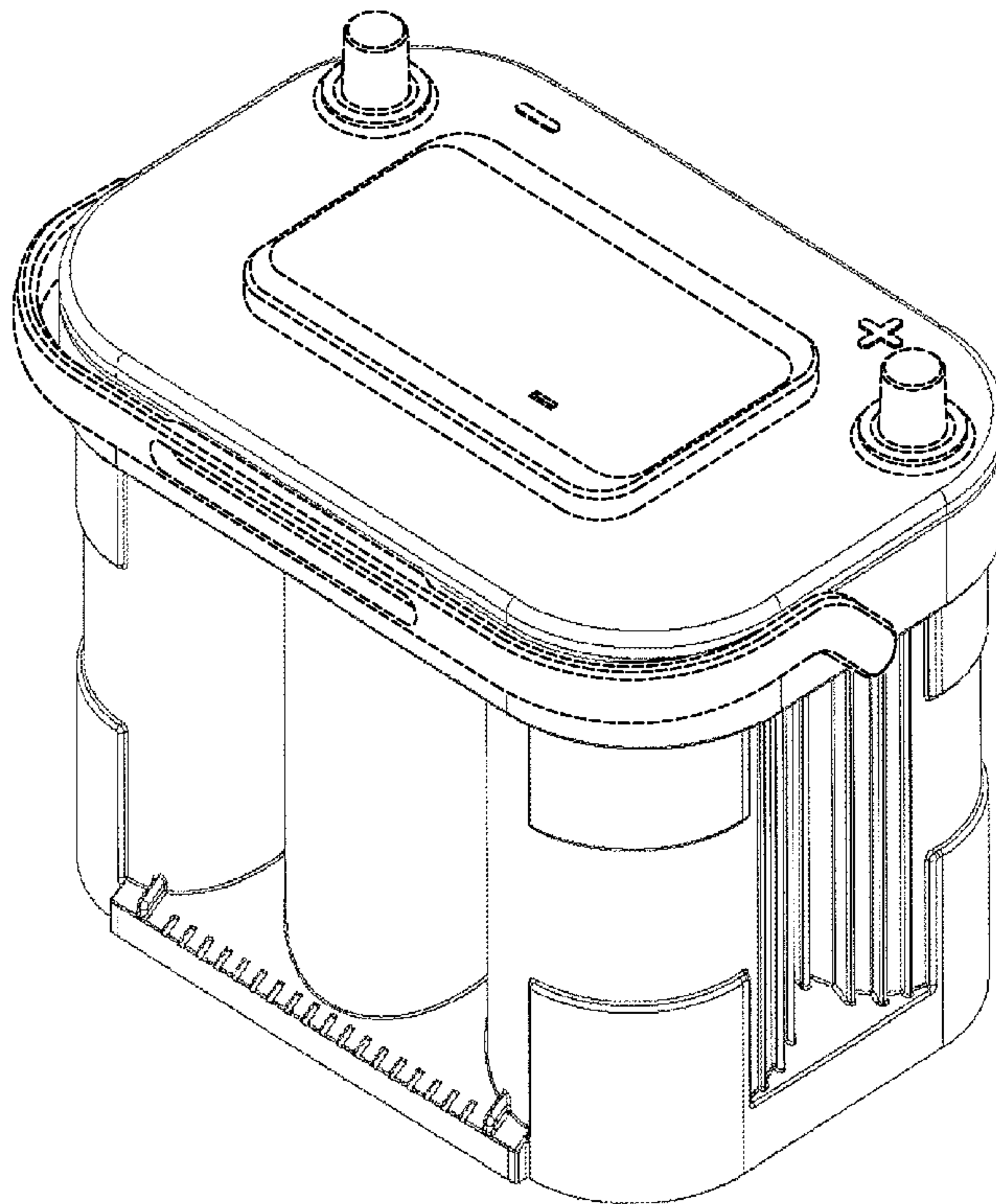
FIG. 2 is a front view of a battery in accordance with the FIG. 1 embodiment.

FIG. 3 is a top view of a battery in accordance with the FIG. 1 embodiment; and,

FIG. 4 is a side view of a battery in accordance with the FIG. 1 embodiment.

The broken lines shown in the drawings are included for the purpose of illustrating environmental structure and form no part of the claimed design.

**1 Claim, 4 Drawing Sheets**



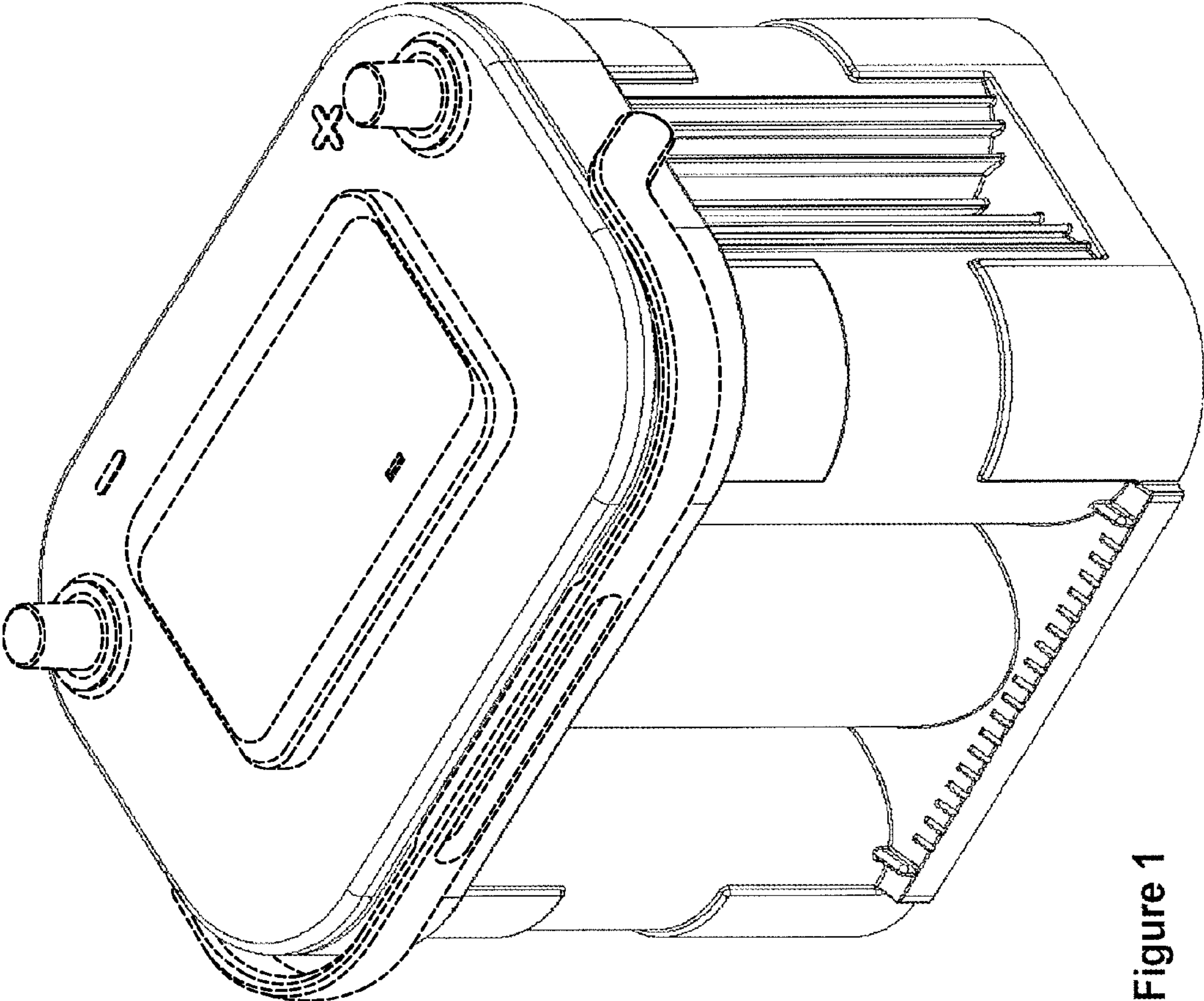


Figure 1

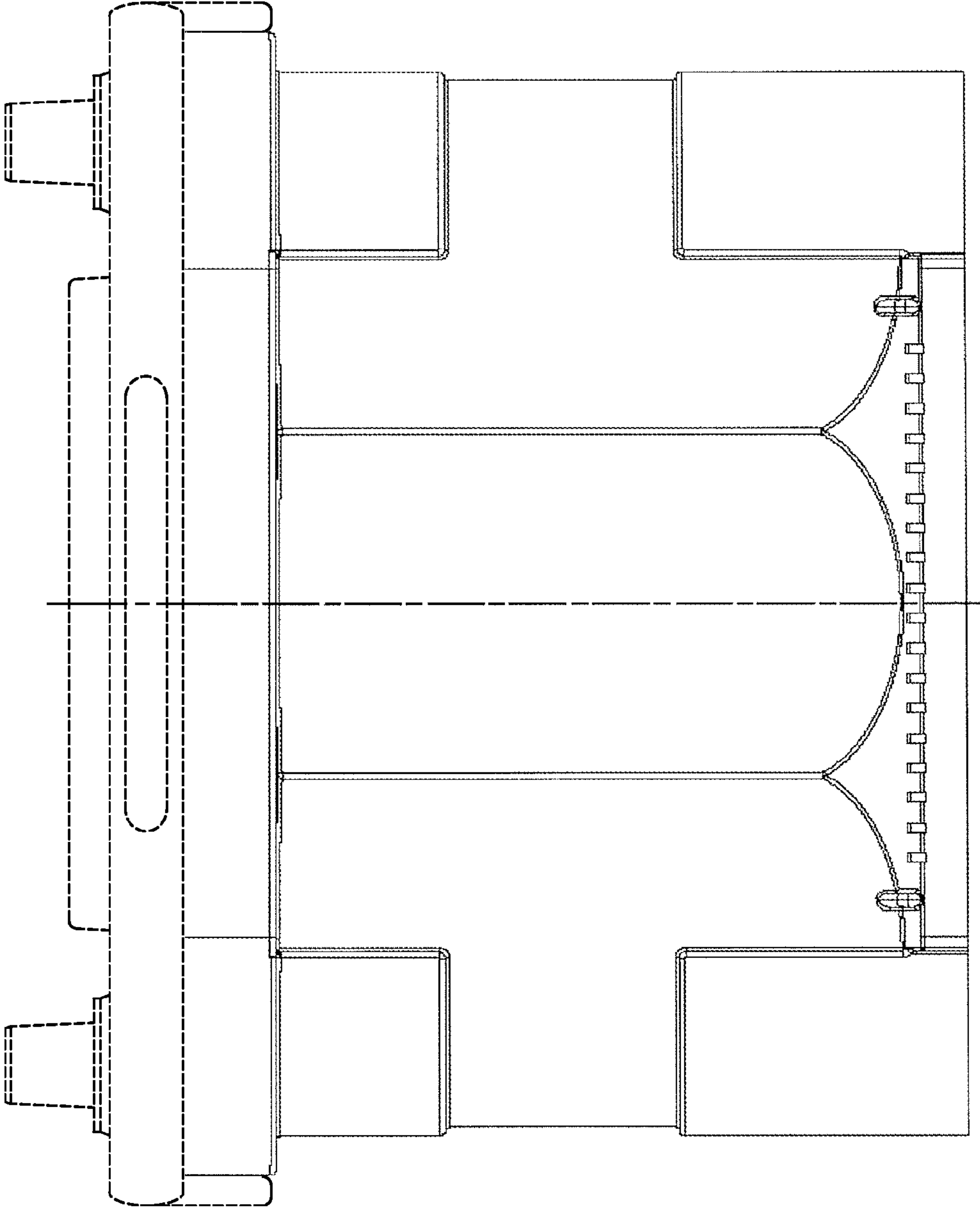


Figure 2

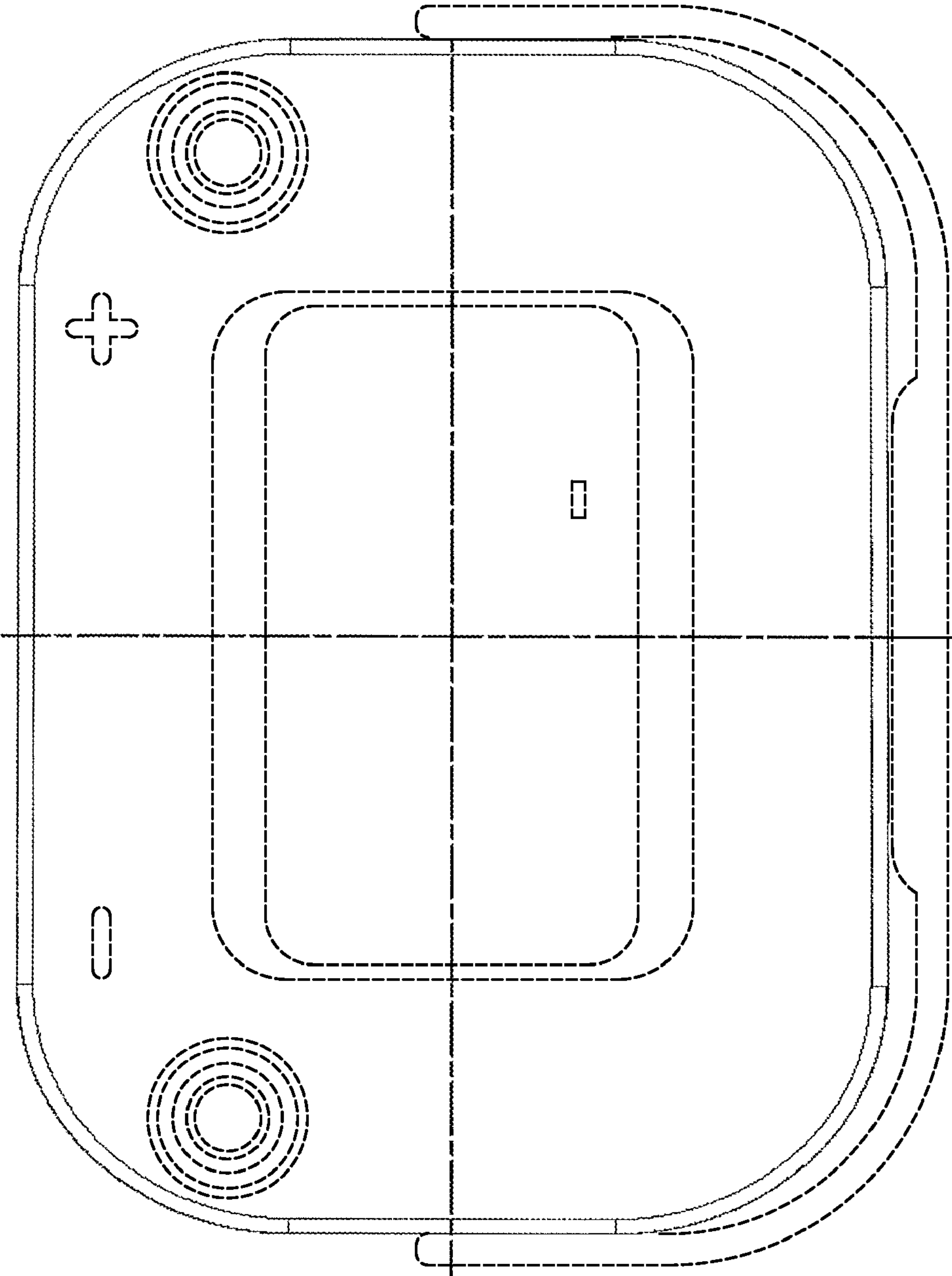


Figure 3



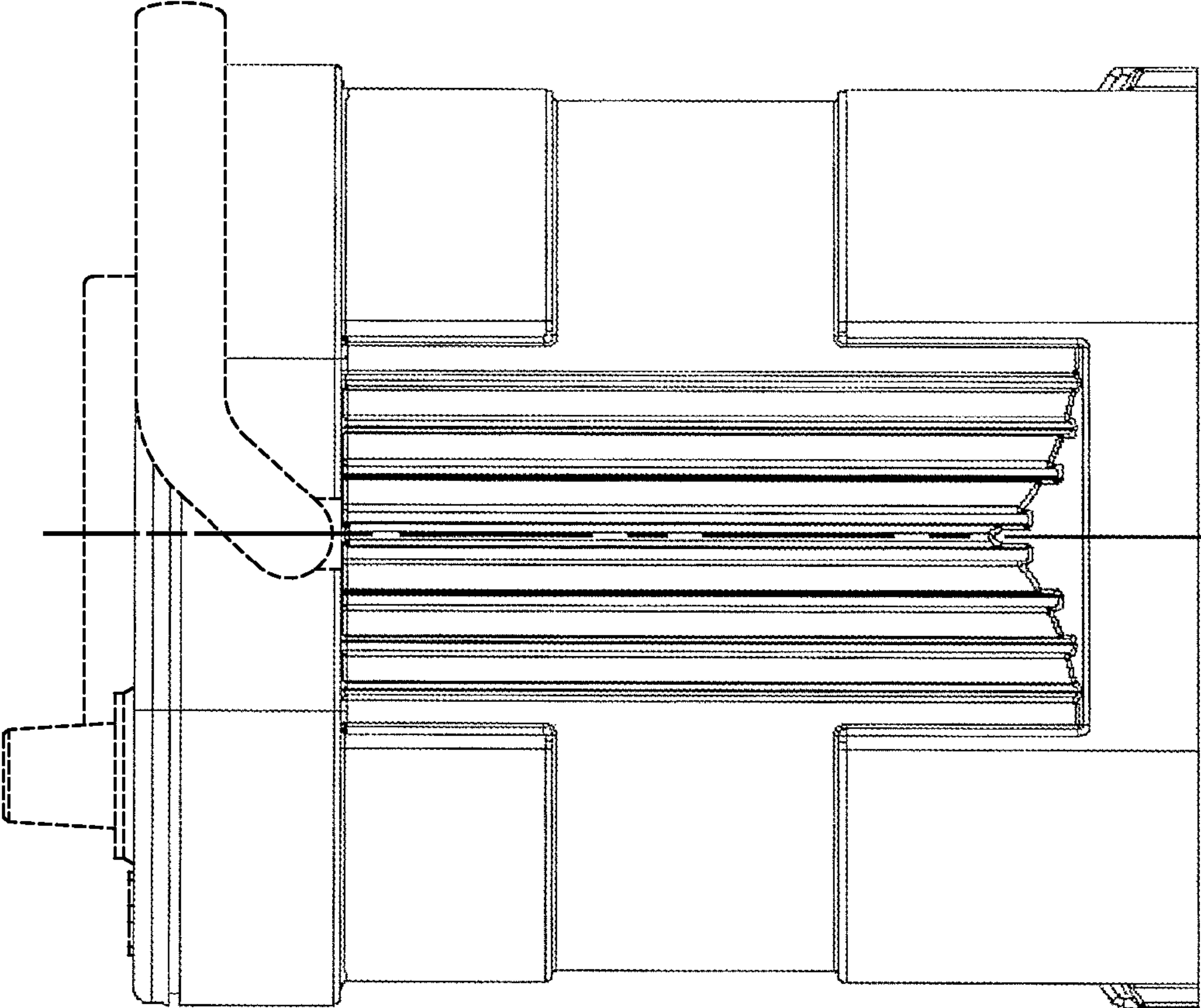


Figure 4