



US00D633865S

(12) **United States Design Patent**  
**Qualls et al.**

(10) **Patent No.:** **US D633,865 S**

(45) **Date of Patent:** **\*\* Mar. 8, 2011**

(54) **SPIRAL WOUND BATTERY**

(75) Inventors: **Lee Qualls**, Milton, GA (US); **Layna Mendlinger**, Milton, GA (US); **John Bear**, Milton, GA (US); **Scott Cronrath**, Milton, GA (US); **Brian Westbrook**, Milton, GA (US); **Nick Kovalkevich**, Milton, GA (US); **T. Bruce Montgomery**, Milton, GA (US); **David Thimm**, Walled Lake, MI (US)

D462,656 S \* 9/2002 Degen et al. .... D13/104  
D491,138 S \* 6/2004 Minato ..... D13/104  
D609,178 S \* 2/2010 Mack ..... D13/104  
D609,631 S \* 2/2010 Mack ..... D13/104  
2009/0092890 A1 \* 4/2009 Wu ..... 429/99

\* cited by examiner

*Primary Examiner*—Rosemary K Tarcza  
(74) *Attorney, Agent, or Firm*—Katten Muchin Rosenman LLP

(73) Assignee: **Exide Technologies**, Milton, GA (US)

(57) **CLAIM**

(\*\*) Term: **14 Years**

The ornamental design for a spiral wound battery, as shown and described.

(21) Appl. No.: **29/361,188**

(22) Filed: **May 6, 2010**

**DESCRIPTION**

(51) **LOC (9) Cl.** ..... **13-02**

(52) **U.S. Cl.** ..... **D13/106**

(58) **Field of Classification Search** ..... D13/102–106,  
D13/110, 118–121, 184, 199; 429/96–100,  
429/159, 163, 176, 178, 187

See application file for complete search history.

FIG. 1 is a front perspective view of an embodiment of a battery in accordance with the present invention. The battery includes terminals on the top, a handle attached to a center of the top and hinged such that it rests in a recessed portion of the front half of the top, two vertical separators in each of the front and the back, a horizontally ribbed portion on each side, and a rounded, protruding edge portion along the junction between the top of the battery and the main body of the battery. The sides of the battery are recessed inwardly in correspondence with the horizontal ribs.

(56) **References Cited**

**U.S. PATENT DOCUMENTS**

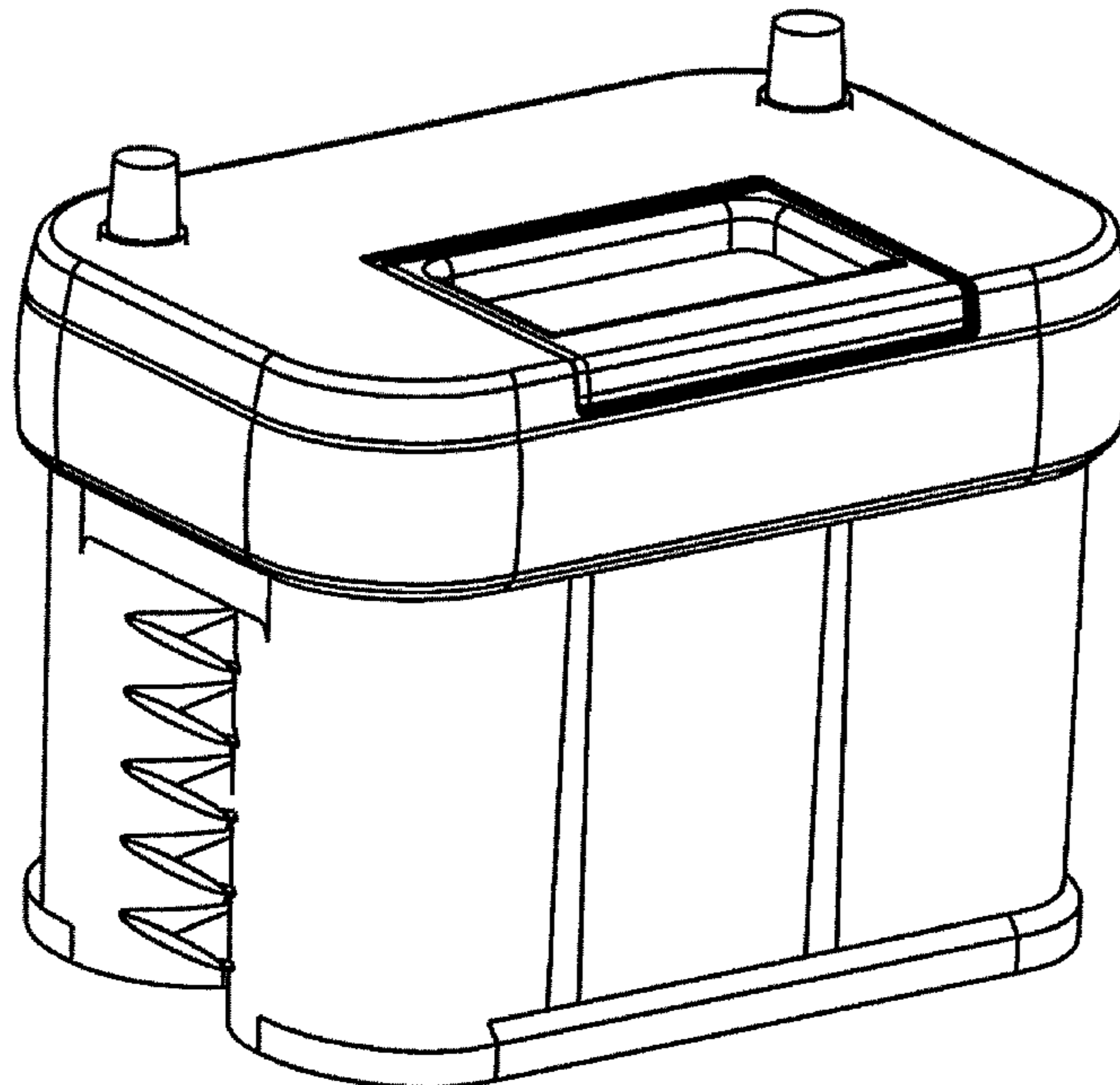
2,724,360 A \* 11/1955 Crookshank ..... 116/228  
D196,798 S \* 11/1963 Worrell ..... D13/104  
D292,576 S \* 11/1987 Kump et al. .... D13/106  
D303,519 S \* 9/1989 Lopez-Doriga  
Lopez-Doriga ..... D13/106  
D400,849 S \* 11/1998 Ikeda et al. .... D13/106  
D401,551 S \* 11/1998 Kim ..... D13/106  
6,007,937 A \* 12/1999 Rodriguez et al. .... 429/94  
D458,900 S \* 6/2002 Carter et al. .... D13/106

FIG. 2 is a front view of a battery in accordance with the FIG. 1 embodiment.

FIG. 3 is a top view of a battery in accordance with the FIG. 1 embodiment; and,

FIG. 4 is a side view of a battery in accordance with the FIG. 1 embodiment.

**1 Claim, 4 Drawing Sheets**



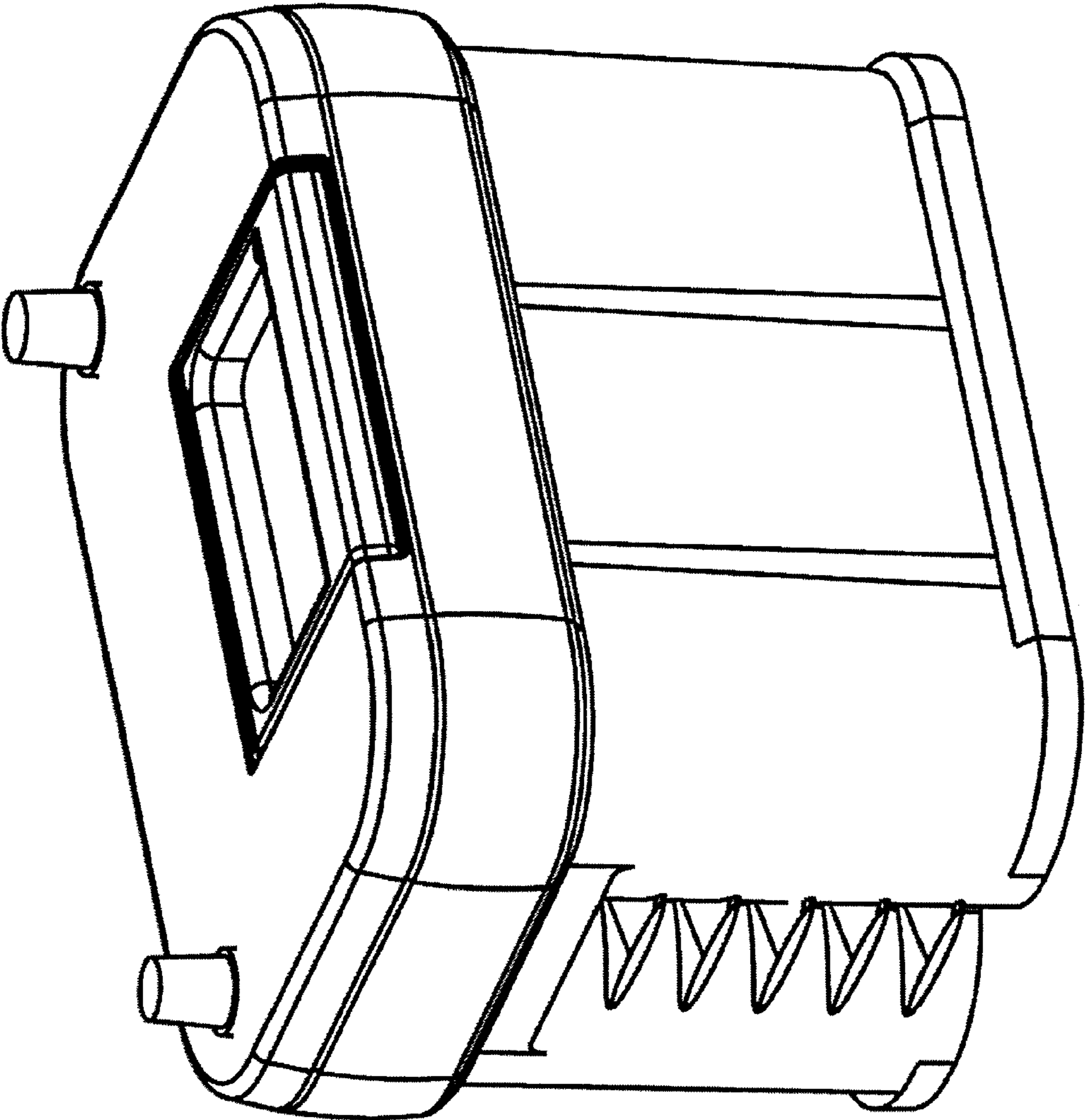


Figure 1

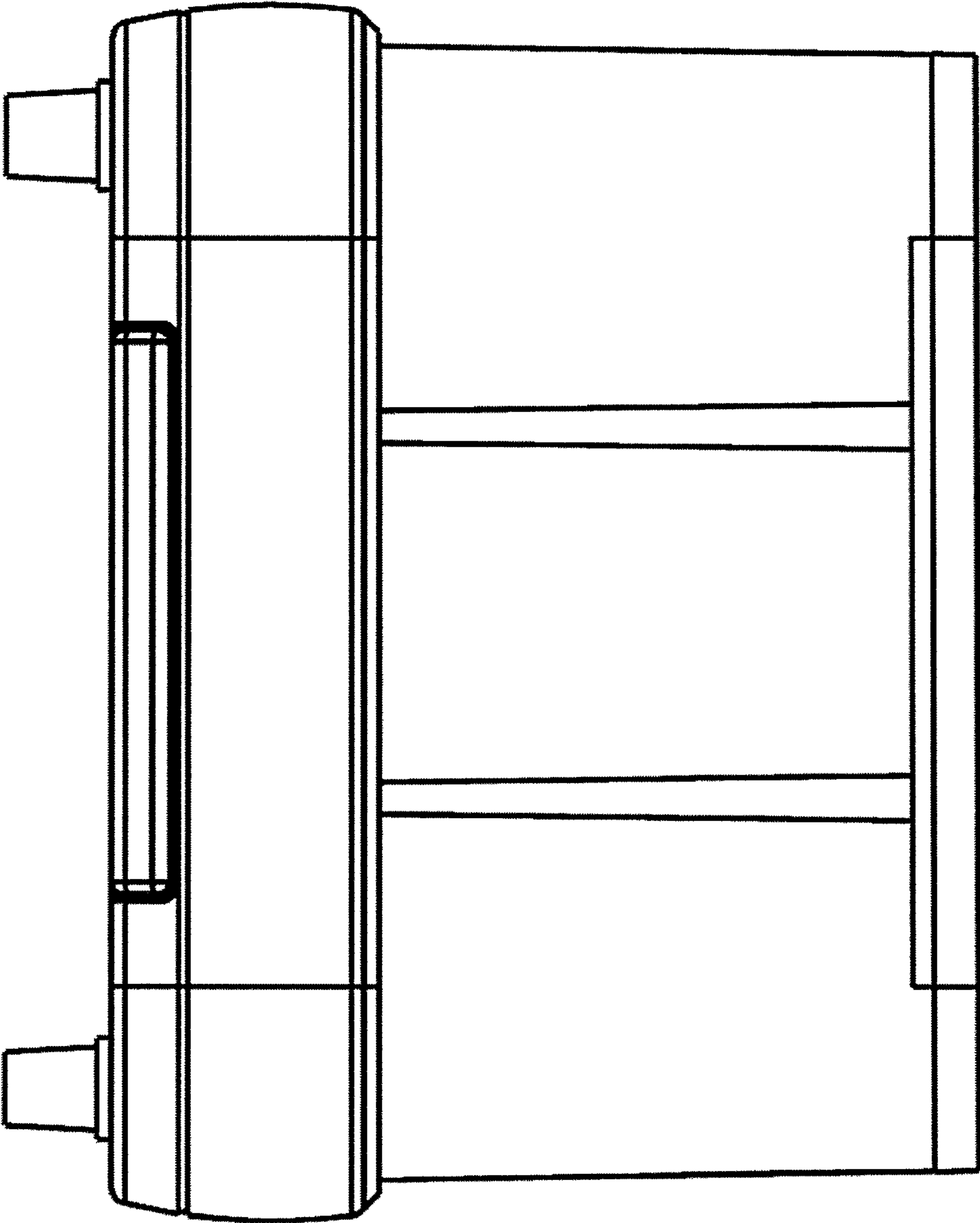


Figure 2

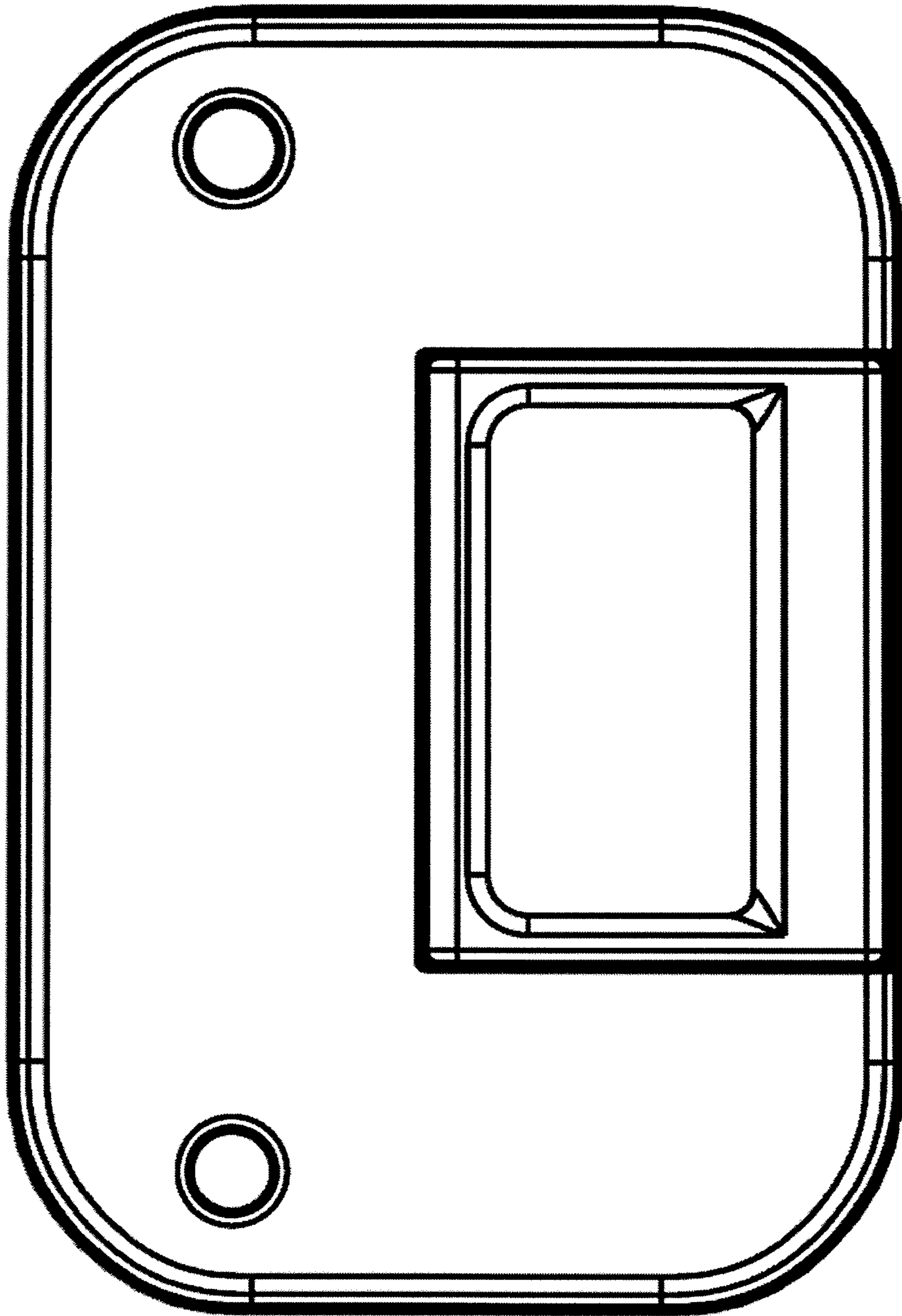


Figure 3



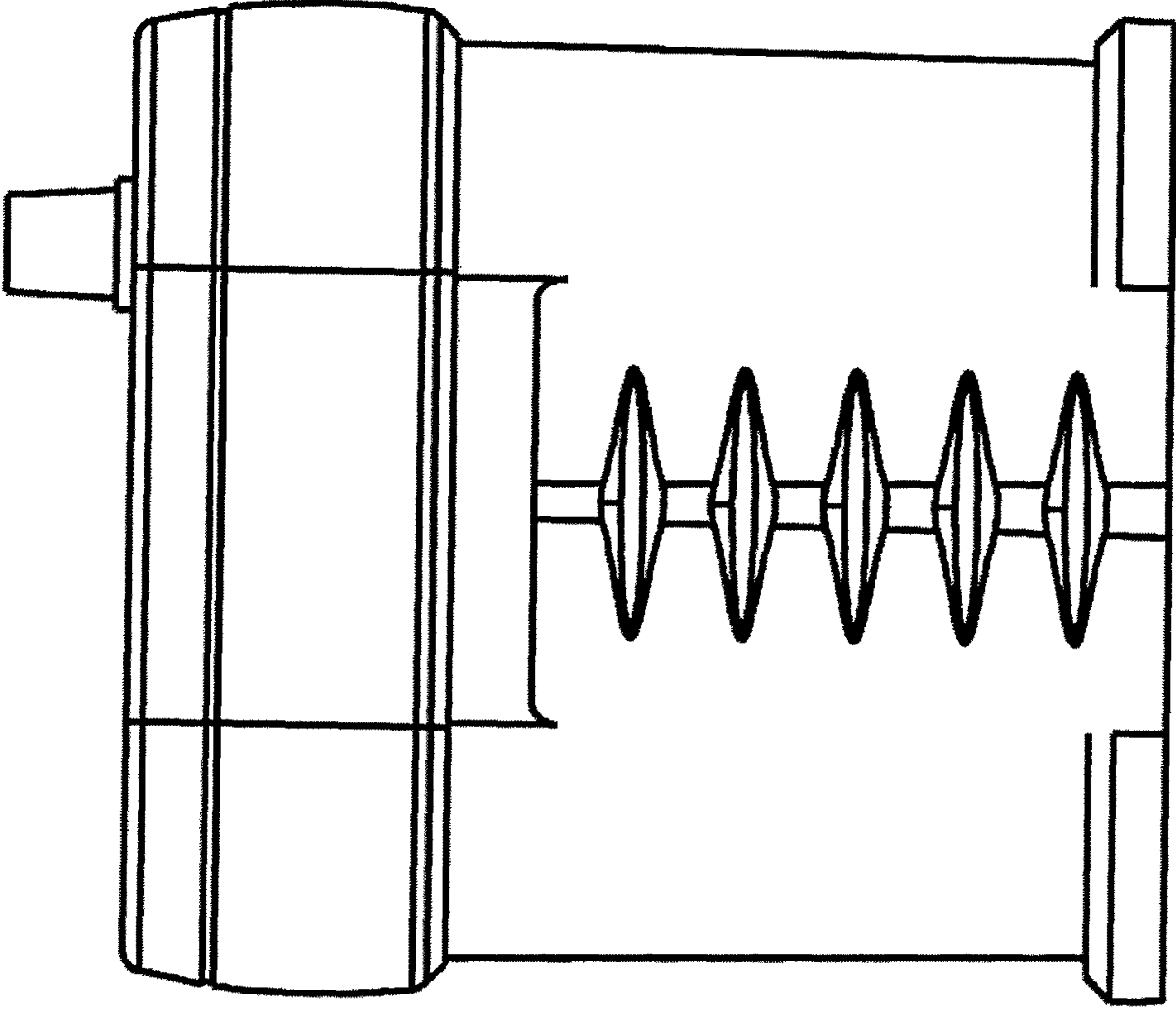


Figure 4