



US00D633864S

(12) **United States Design Patent**
Qualls et al.

(10) **Patent No.:** **US D633,864 S**
(45) **Date of Patent:** **** Mar. 8, 2011**

(54) **SPIRAL WOUND BATTERY**

(75) Inventors: **Lee Qualls**, Milton, GA (US); **Layna Mendlinger**, Milton, GA (US); **John Bear**, Milton, GA (US); **Scott Cronrath**, Milton, GA (US); **Brian Westbrook**, Milton, GA (US); **Nick Kovalkevich**, Milton, GA (US); **T. Bruce Montgomery**, Milton, GA (US); **David Thimm**, Walled Lake, MI (US)

(73) Assignee: **Exide Technologies**, Milton, GA (US)

(**) Term: **14 Years**

(21) Appl. No.: **29/361,184**

(22) Filed: **May 6, 2010**

(51) **LOC (9) Cl.** **13-02**

(52) **U.S. Cl.** **D13/106**

(58) **Field of Classification Search** D13/102-106,
D13/110, 118-121, 184, 199; 429/96-100,
429/159, 163, 176, 178, 187

See application file for complete search history.

(56) **References Cited**

U.S. PATENT DOCUMENTS

2,724,360	A *	11/1955	Crookshank	116/228
D196,798	S *	11/1963	Worrell	D13/104
D292,576	S *	11/1987	Kump et al.	D13/106
D303,519	S *	9/1989	Lopez-Doriga	D13/106
D400,849	S *	11/1998	Ikeda et al.	D13/106
D401,551	S *	11/1998	Kim	D13/106

6,007,937	A *	12/1999	Ruiz Rodriguez et al.	429/94
D458,900	S *	6/2002	Carter et al.	D13/106
D462,656	S *	9/2002	Degen et al.	D13/104
D491,138	S *	6/2004	Minato	D13/104
D609,178	S *	2/2010	Mack	D13/104
D609,631	S *	2/2010	Mack	D13/104
2009/0092890	A1 *	4/2009	Wu	429/99

* cited by examiner

Primary Examiner — Rosemary K Tarca

(74) *Attorney, Agent, or Firm* — Katten Muchin Rosenman LLP

(57) **CLAIM**

The ornamental design for a spiral wound battery, as shown and described.

DESCRIPTION

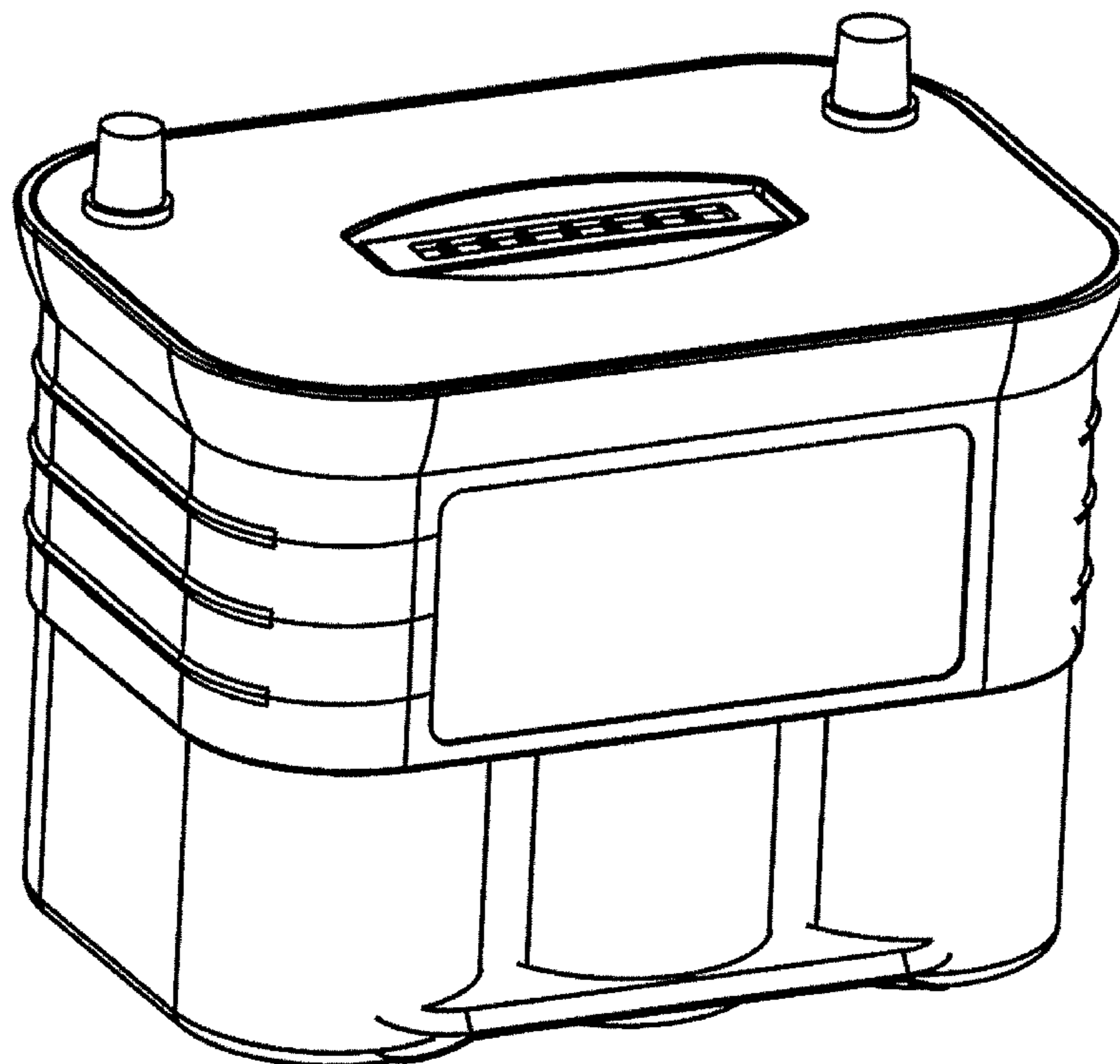
FIG. 1 is a front perspective view of an embodiment of a battery in accordance with the present invention. The battery includes terminals on the top, a handle in the center of the top, a flat section on the top half of each of the front and the back, curved portions in the bottom half of each of the front and the back, a horizontally ribbed portion on the top half of each side, and a flared edge portion having rounded corners along the junction between the top of the battery and the main body of the battery.

FIG. 2 is a front view of a battery in accordance with the FIG. 1 embodiment.

FIG. 3 is a top view of a battery in accordance with the FIG. 1 embodiment; and,

FIG. 4 is a side view of a battery in accordance with the FIG. 1 embodiment.

1 Claim, 4 Drawing Sheets



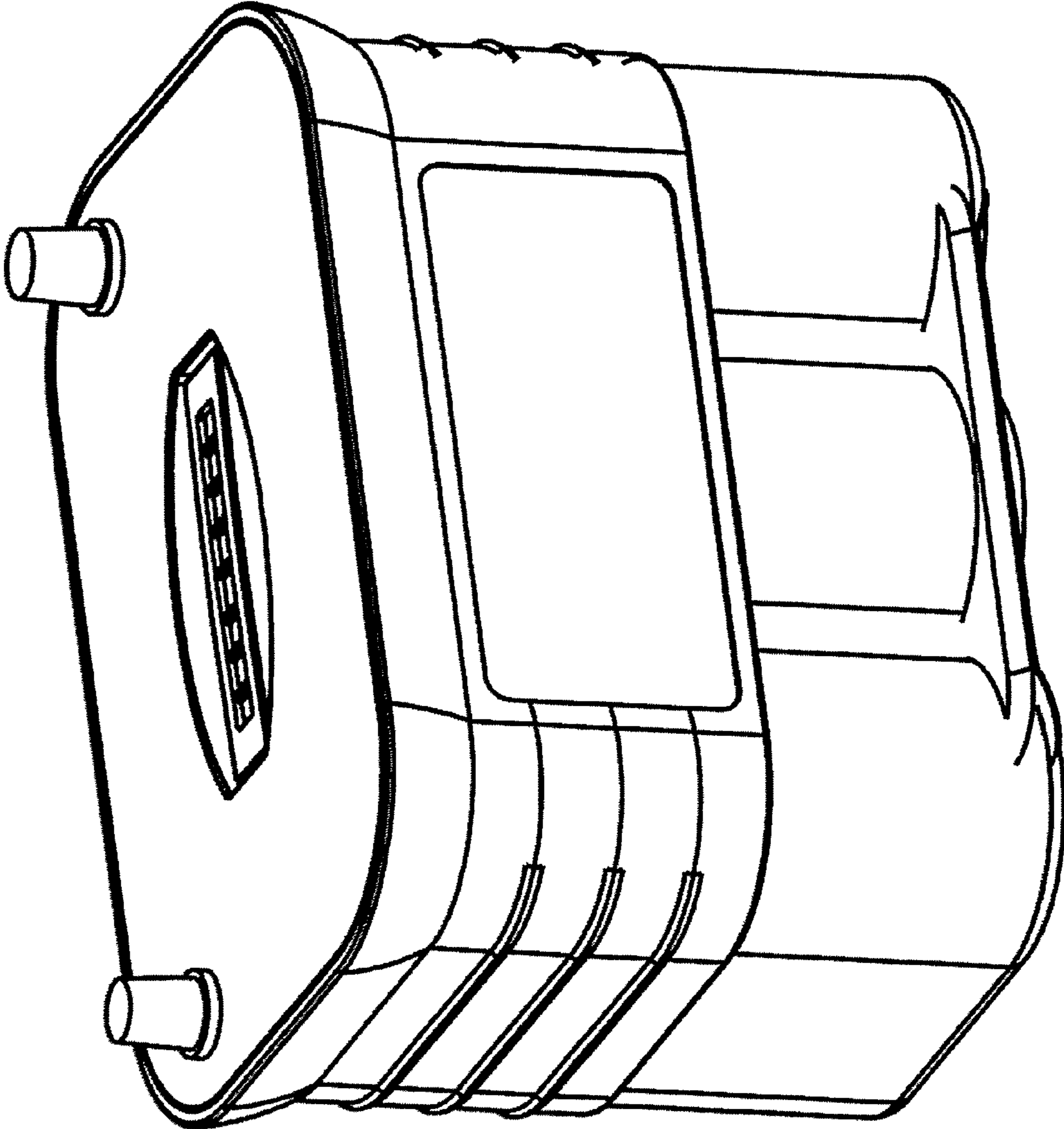


Figure 1

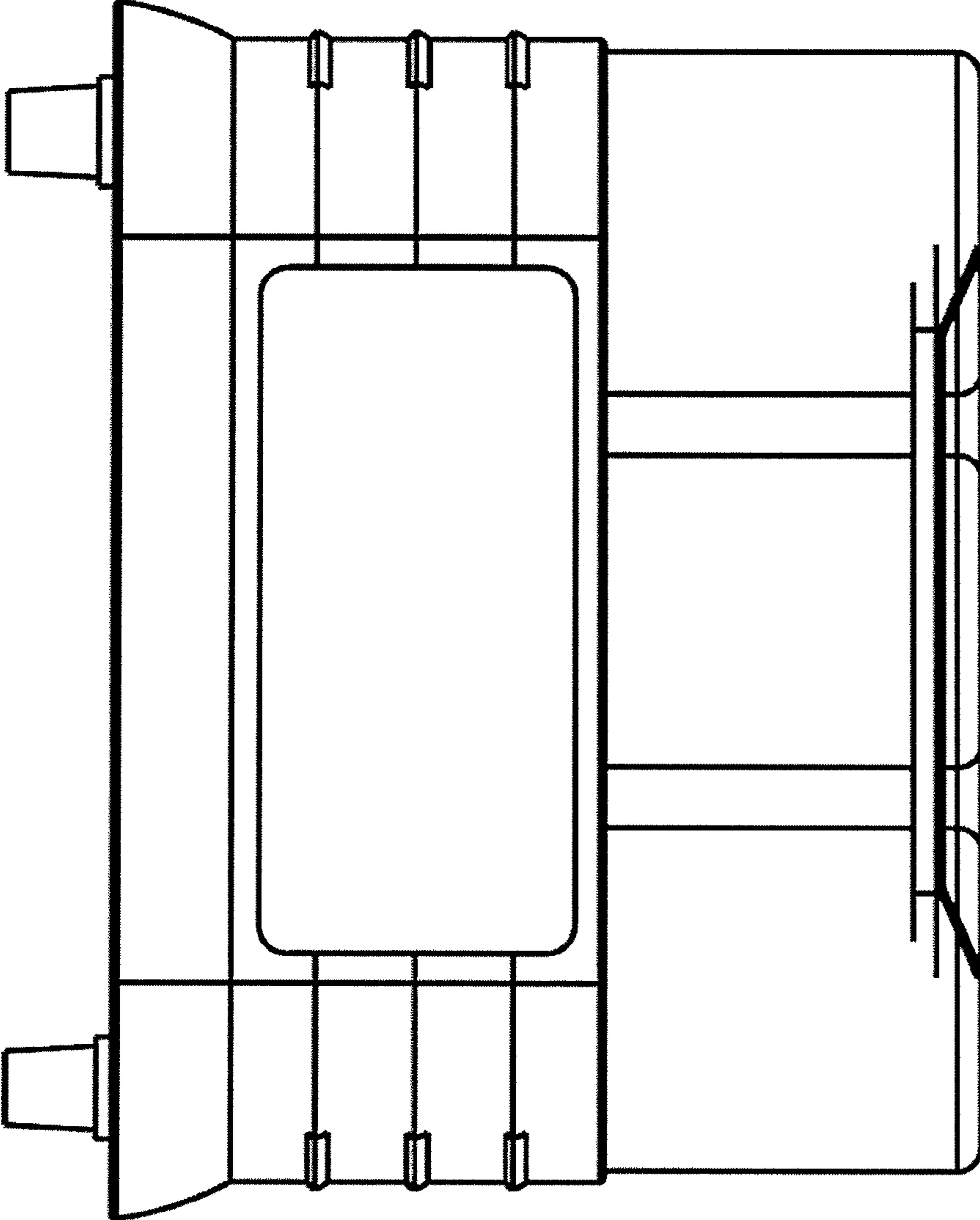


Figure 2

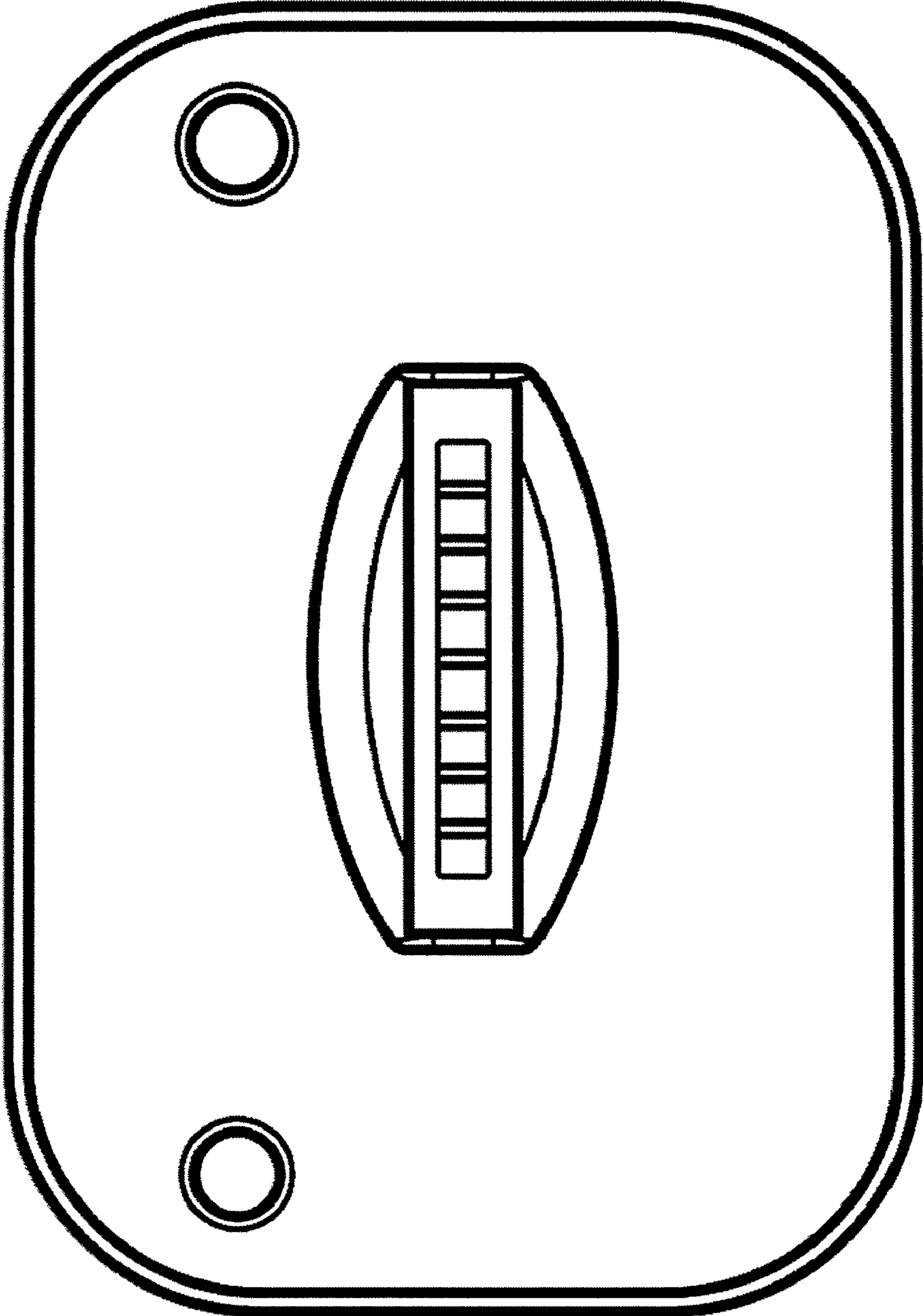


Figure 3

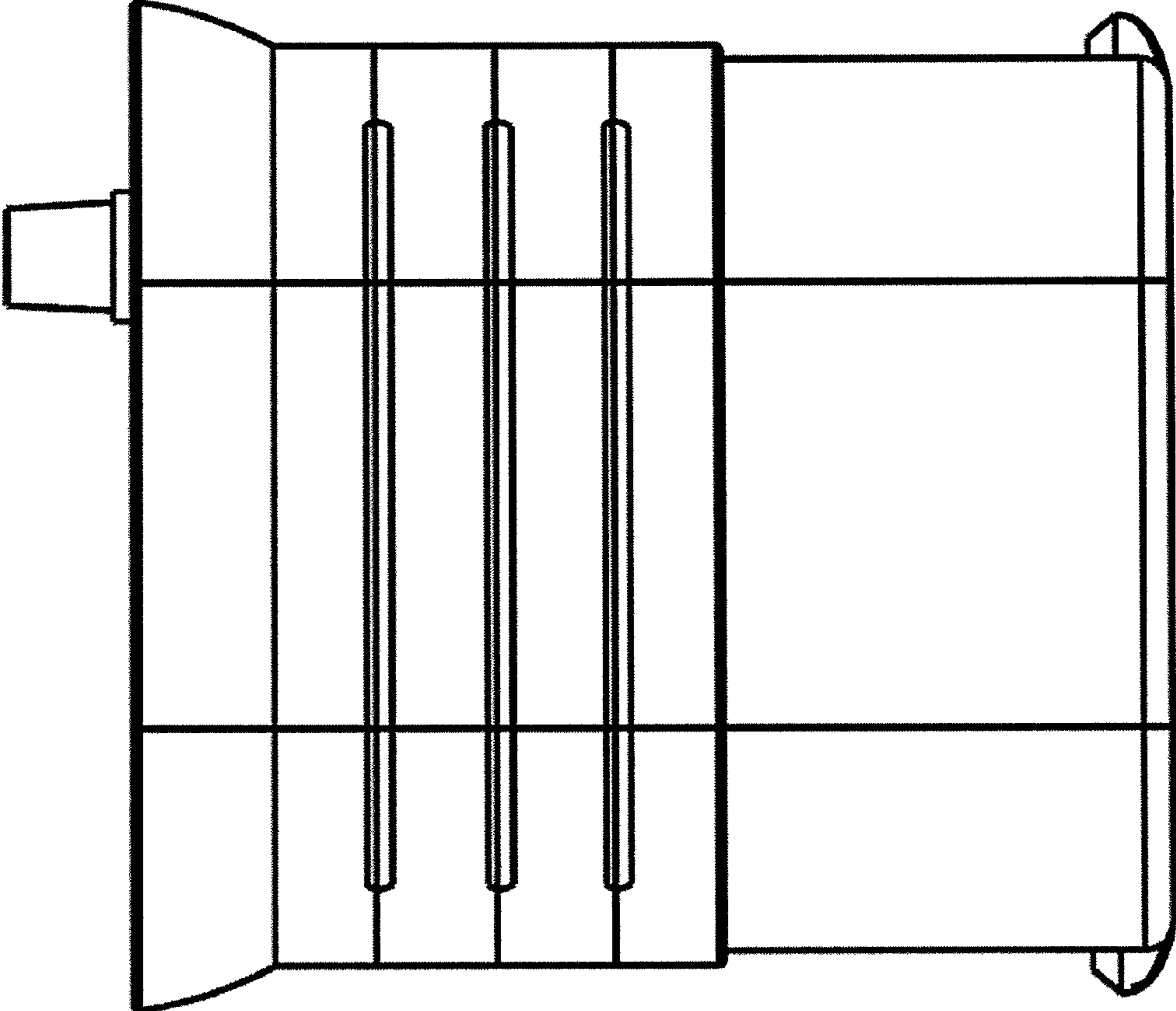


Figure 4