



US00D633862S

(12) **United States Design Patent**  
**Qualls et al.**

(10) **Patent No.:** **US D633,862 S**  
(45) **Date of Patent:** **\*\* Mar. 8, 2011**

(54) **SPIRAL WOUND BATTERY**

D609,178 S \* 2/2010 Mack ..... D13/104  
D609,631 S \* 2/2010 Mack ..... D13/104  
D625,254 S \* 10/2010 Mack et al. .... D13/104

(75) Inventors: **Lee Qualls**, Milton, GA (US); **Layna Mendlinger**, Milton, GA (US); **John Bear**, Milton, GA (US); **Scott Cronrath**, Milton, GA (US); **Brian Westbrook**, Milton, GA (US); **Nick Kovalkevich**, Milton, GA (US); **T. Bruce Montgomery**, Milton, GA (US); **David Thimm**, Walled Lake, MI (US)

\* cited by examiner

*Primary Examiner*—Rosemary K Tarca  
(74) *Attorney, Agent, or Firm*—Katten Muchin Rosenman LLP

(73) Assignee: **Exide Technologies**, Milton, GA (US)

(57) **CLAIM**

The ornamental design for a spiral wound battery, as shown and described.

(\*\*) Term: **14 Years**

**DESCRIPTION**

(21) Appl. No.: **29/361,182**

FIG. 1 is a front perspective view of an embodiment of a battery in accordance with the present invention. The battery includes a top portion having a piecewise curvilinear contour and a circular portion in the center of the top portion, curved portions in the front, back, and sides, horizontally ribbed portions on the sides, a handle portion at the top of each of the front and back, and a rounded, protruding edge portion along the junction between the top of the battery and the main body of the battery.

(22) Filed: **May 6, 2010**

(51) **LOC (9) Cl.** ..... **13-02**

(52) **U.S. Cl.** ..... **D13/104**

(58) **Field of Classification Search** ..... D13/102–106,  
D13/110, 118–121, 184, 199; 429/96–100,  
429/159, 163, 176, 178, 187

See application file for complete search history.

FIG. 2 is a front view of a battery in accordance with the FIG. 1 embodiment.

(56) **References Cited**

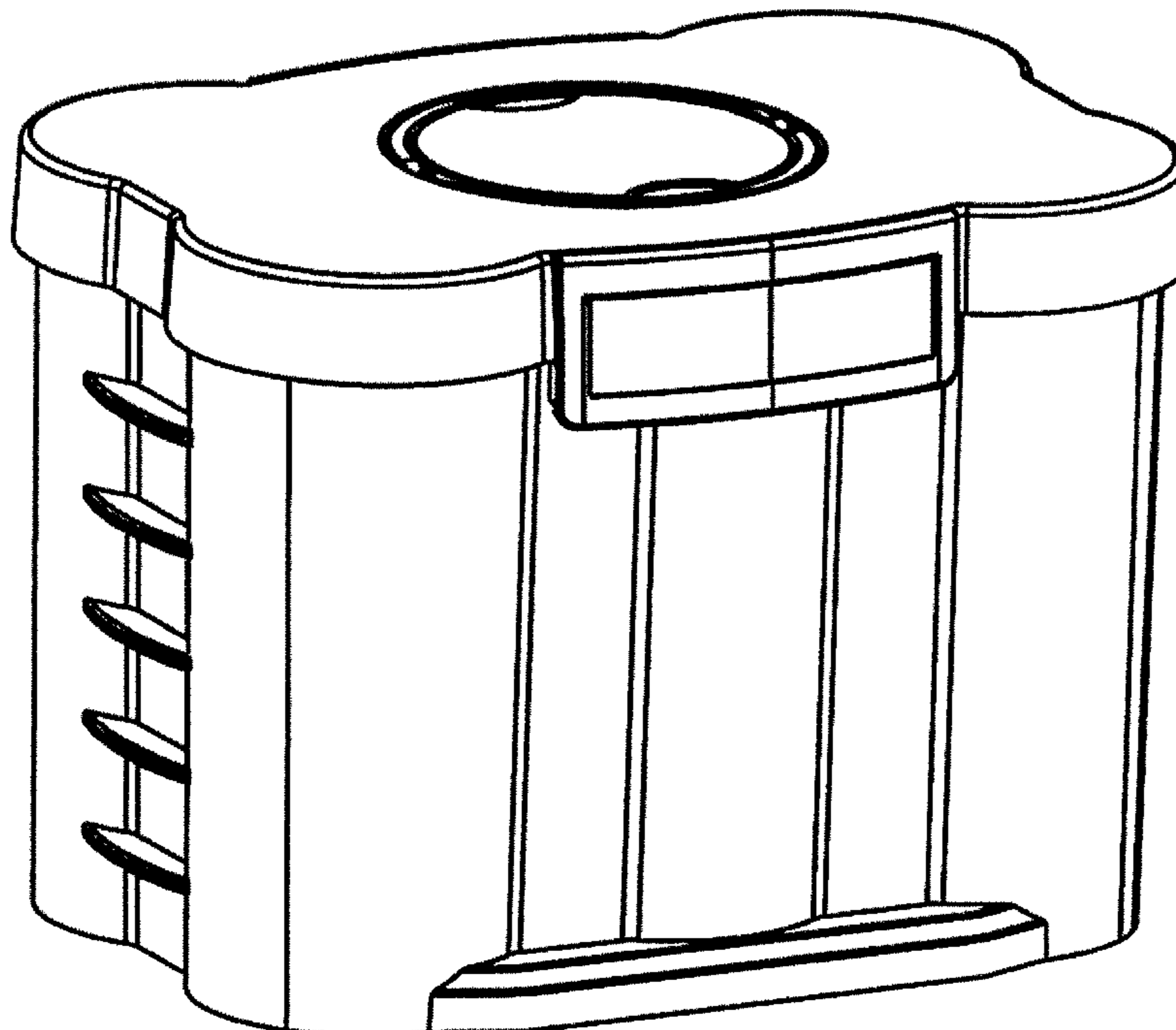
**U.S. PATENT DOCUMENTS**

D196,798 S \* 11/1963 Worrell ..... D13/104  
D401,551 S \* 11/1998 Kim ..... D13/106  
D458,900 S \* 6/2002 Carter et al. .... D13/106  
D462,656 S \* 9/2002 Degen et al. .... D13/104  
D491,138 S \* 6/2004 Minato ..... D13/104

FIG. 3 is a top view of a battery in accordance with the FIG. 1 embodiment; and,

FIG. 4 is a side view of a battery in accordance with the FIG. 1 embodiment.

**1 Claim, 4 Drawing Sheets**



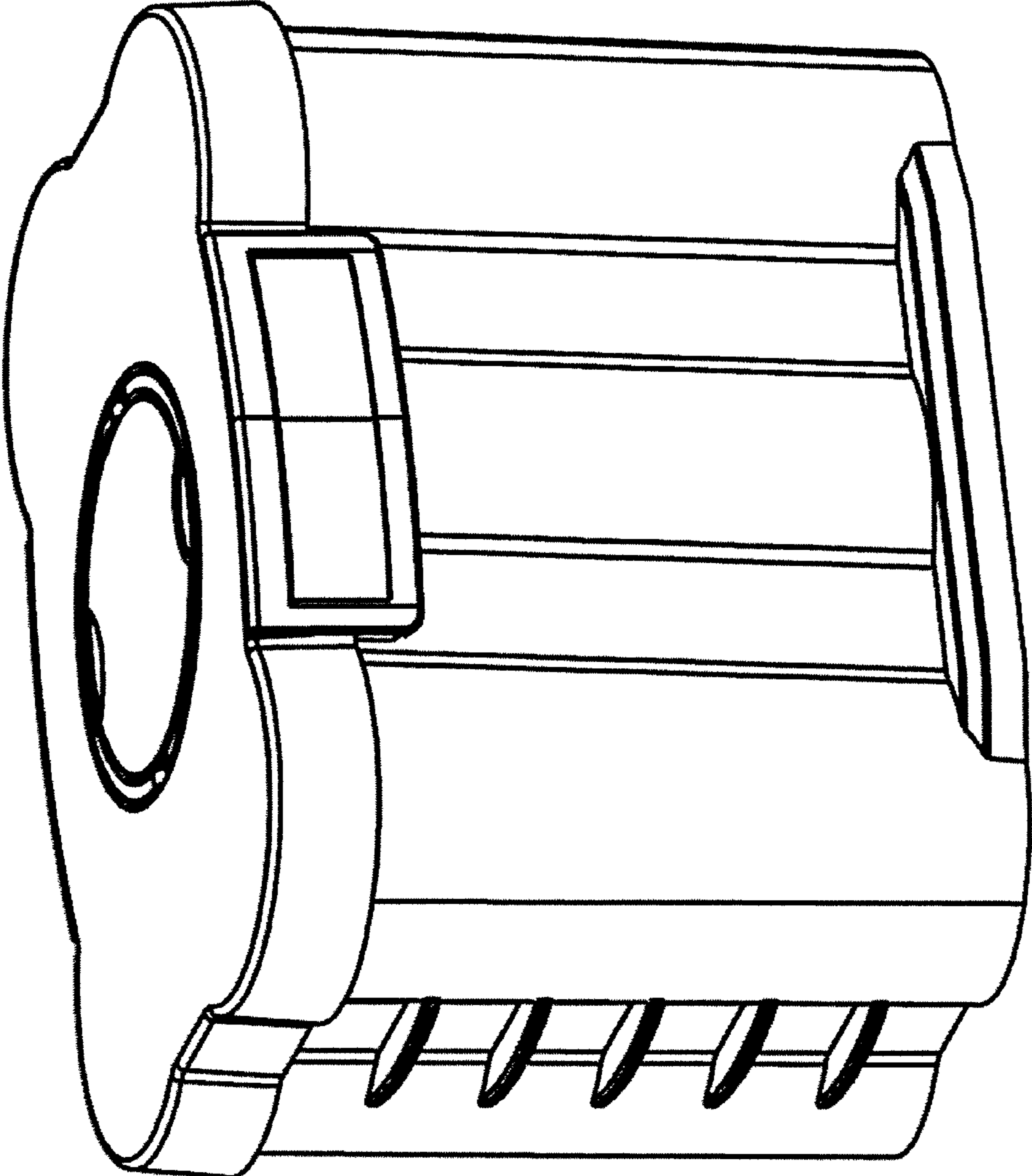


Figure 1

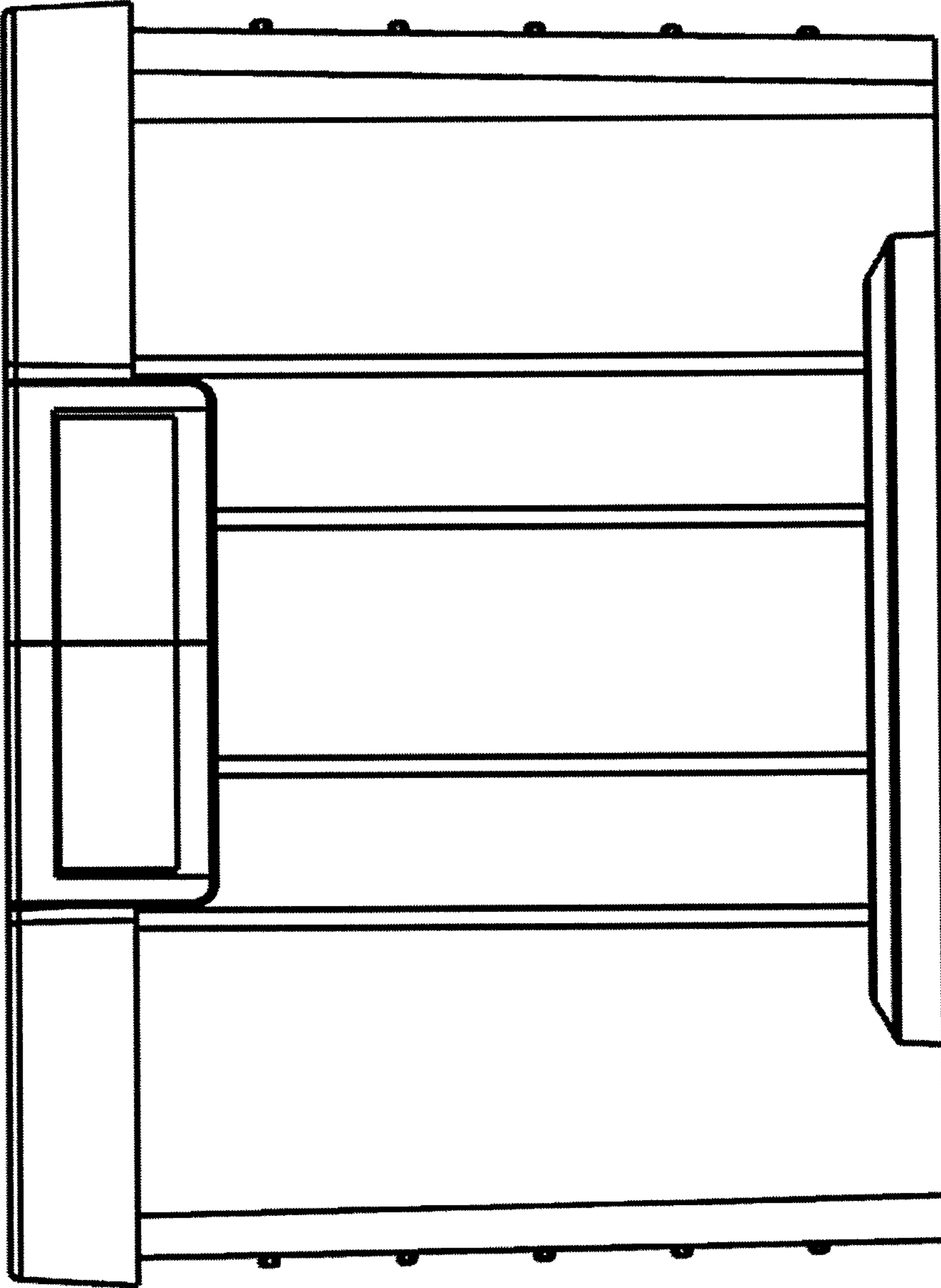


Figure 2

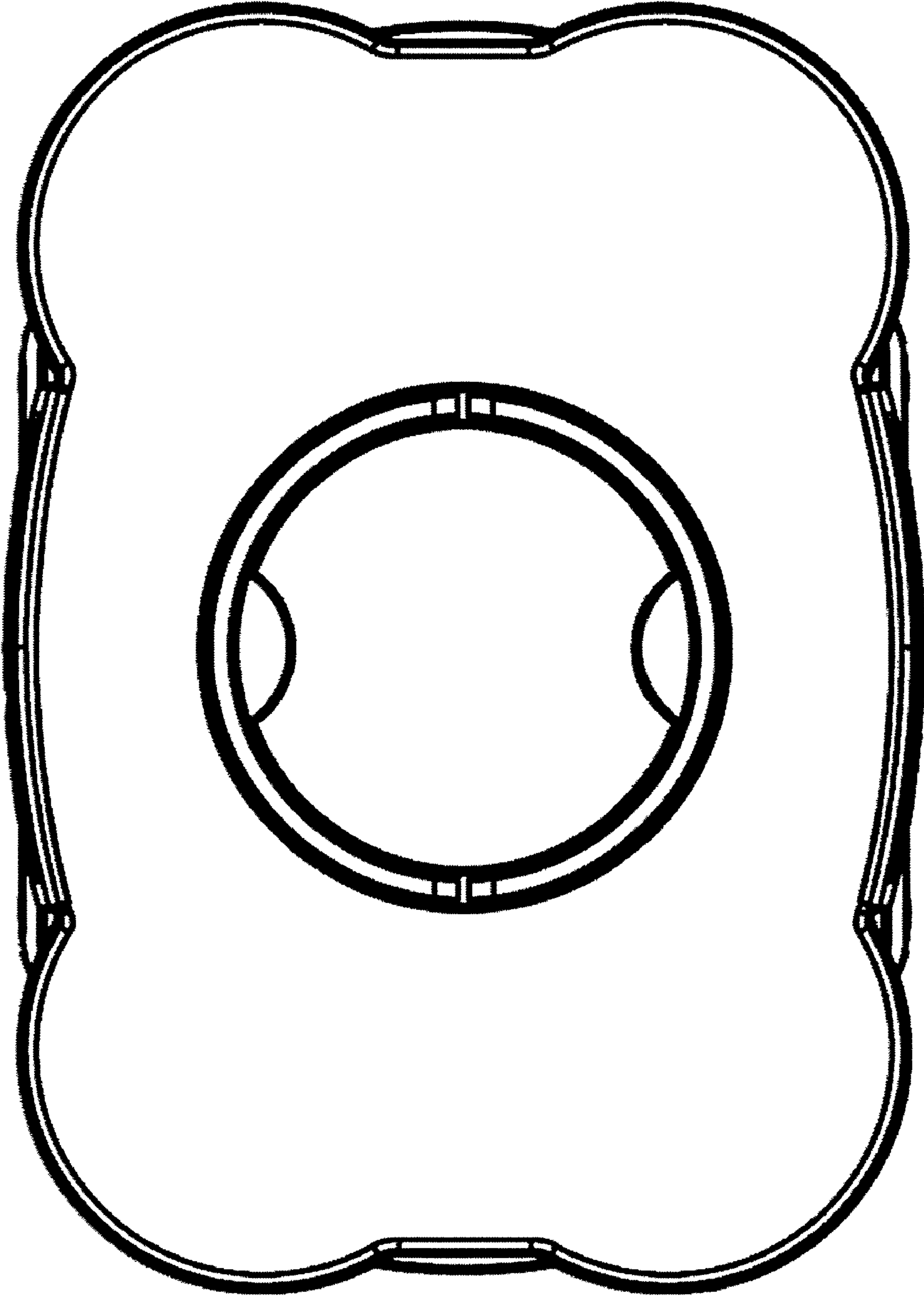


Figure 3

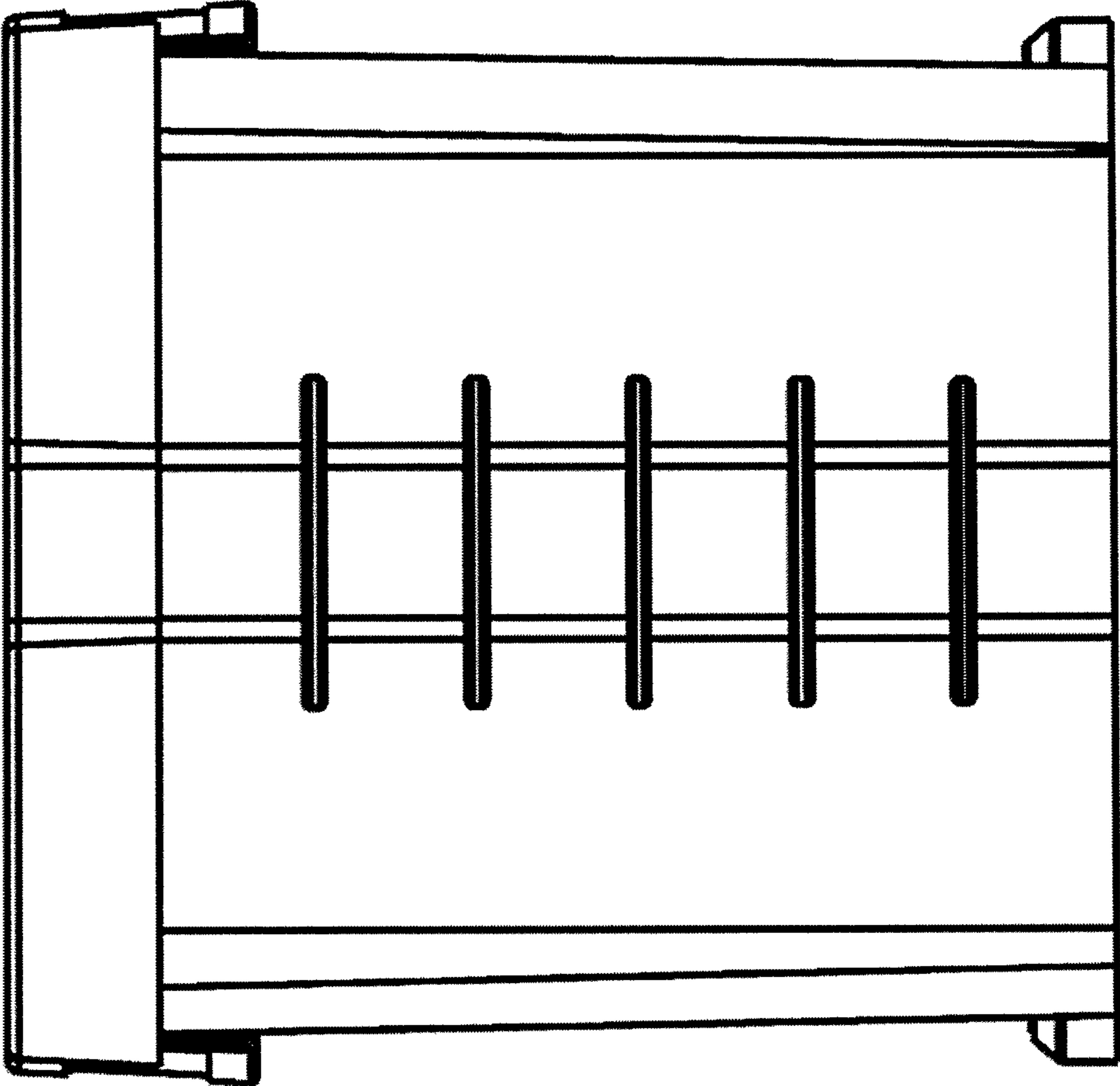


Figure 4