



US00D633861S

(12) **United States Design Patent**  
**Shan et al.**

(10) **Patent No.:** **US D633,861 S**  
(45) **Date of Patent:** **\*\* Mar. 8, 2011**

(54) **TIRE**

- (75) Inventors: **Guoling Shan**, Shandong (CN); **Bo Wang**, Shandong (CN); **Qian Zheng**, Shandong (CN)
- (73) Assignee: **Triangle Tyre Co., Ltd.**, Shandong (CN)
- (\*\*) Term: **14 Years**
- (21) Appl. No.: **29/360,234**
- (22) Filed: **Apr. 22, 2010**

**Related U.S. Application Data**

- (62) Division of application No. 29/282,998, filed on Aug. 3, 2007.

(30) **Foreign Application Priority Data**

- Feb. 5, 2007 (CN) ..... 2007 3 0014341
- Feb. 5, 2007 (CN) ..... 2007 3 0014342
- Feb. 5, 2007 (CN) ..... 2007 3 0014343
- Feb. 5, 2007 (CN) ..... 2007 3 0014344
- Feb. 5, 2007 (CN) ..... 2007 3 0014345
- Feb. 5, 2007 (CN) ..... 2007 3 0014346
- Feb. 5, 2007 (CN) ..... 2007 3 0014347
- Feb. 5, 2007 (CN) ..... 2007 3 0014348

- (51) **LOC (9) Cl.** ..... **12-15**
- (52) **U.S. Cl.** ..... **D12/599**
- (58) **Field of Classification Search** ..... D12/500, D12/501, 502, 533, 539, 543, 544, 547, 548, D12/551, 552, 554, 557-559, 563, 564, 566, D12/568, 574, 578, 579, 582, 583, 586, 587, D12/589, 592-594, 599, 600, 602, 900, 901; D21/563, 779; 152/209.1, 209.12, 209.13, 152/209.14, 209.15, 209.28

See application file for complete search history.

(56) **References Cited**

U.S. PATENT DOCUMENTS			
D112,993 S	1/1939	Hardeman	
D157,953 S	4/1950	Hawkinson	
D168,714 S	1/1953	Schlichtmann	
D172,996 S	9/1954	Smith	
D251,722 S	5/1979	Tamura et al.	
D261,256 S	10/1981	Yamazaki et al.	
D284,649 S	7/1986	Kwee et al.	
D287,837 S	1/1987	Shintomi	
D336,269 S	6/1993	Hinrichsen et al.	
D367,448 S *	2/1996	Baus et al.	D12/579
D371,097 S	6/1996	Fukushima	
D384,622 S	10/1997	Scheuren et al.	
D390,818 S	2/1998	De Barsy et al.	
D391,202 S	2/1998	Baus	
D393,236 S	4/1998	Rowe	
D397,066 S *	8/1998	Grosskopf et al.	D12/566

(Continued)

**OTHER PUBLICATIONS**

Starfire Radial A/T Tire; 2005 Tread Design Guide, p. 93, row 3, item 5.\*

(Continued)

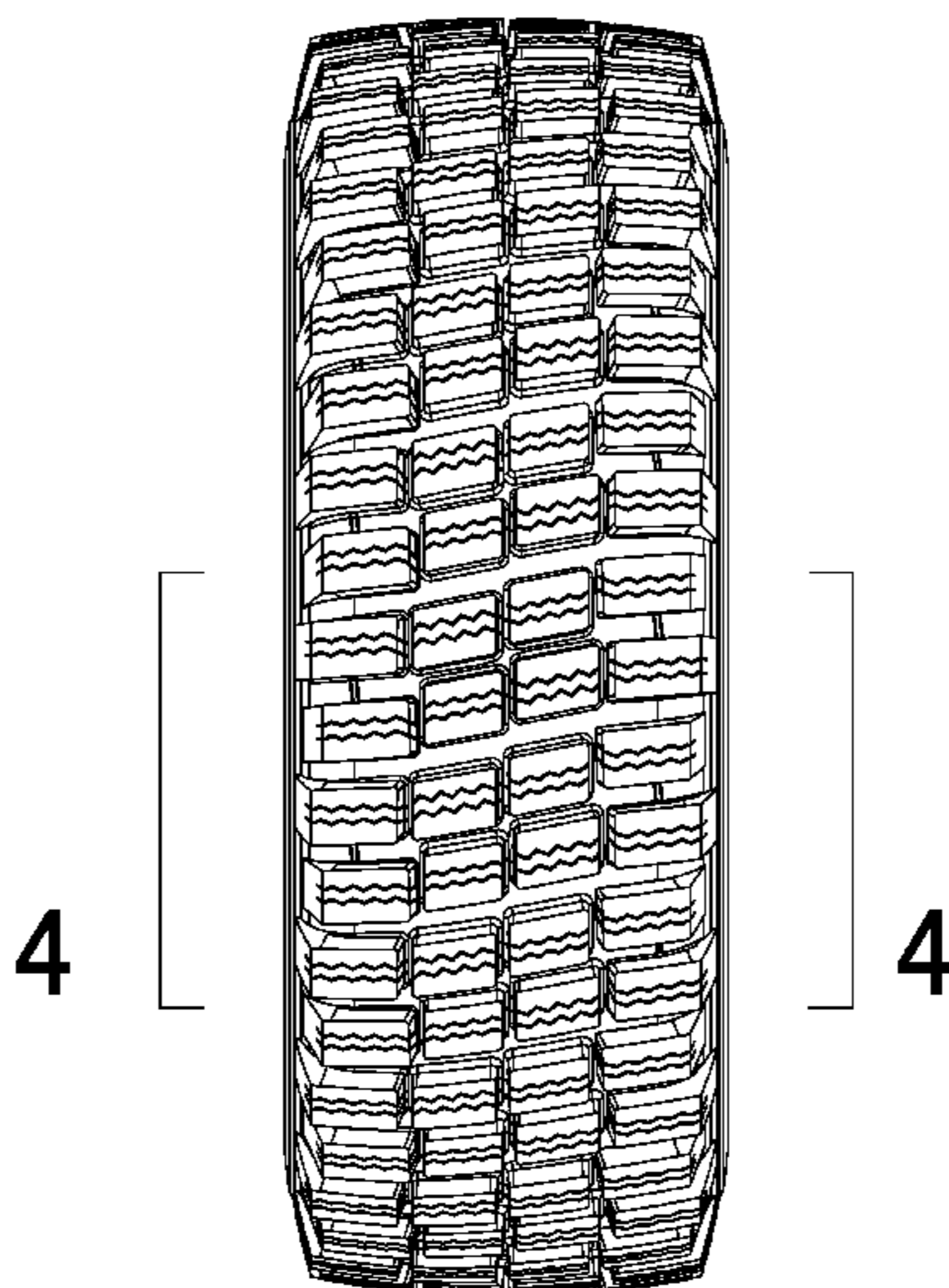
*Primary Examiner* — Garth Rademaker  
(74) *Attorney, Agent, or Firm* — Greenberg Traurig, LLP

(57) **CLAIM**  
The ornamental design for a tire, as shown and described.

**DESCRIPTION**

FIG. 1 is a front view of a tire, in accordance with our new design;  
FIG. 2 is a perspective view thereof;  
FIG. 3 is a side view thereof, the opposite side elevation view being identical thereto; and,  
FIG. 4 is a partial front elevation view thereof, showing section 4—4 of FIG. 1 at an enlarge scale.  
The broken lines depict environmental subject matter only and form no part of the claimed design.

**1 Claim, 4 Drawing Sheets**



# US D633,861 S

Page 2

---

## U.S. PATENT DOCUMENTS

D397,649 S 9/1998 Grosskopf et al.  
D399,798 S 10/1998 Grosskopf et al.  
D412,302 S 7/1999 Rayman  
D420,630 S 2/2000 DeConinck et al.  
D457,488 S 5/2002 Rayman  
D458,895 S 6/2002 Rayman  
D467,865 S 12/2002 Comps et al.  
D473,843 S 4/2003 Le et al.  
D481,668 S 11/2003 Hanna  
D481,990 S 11/2003 Hanna  
D483,718 S 12/2003 Hutz et al.  
D492,643 S 7/2004 Robert  
D493,415 S 7/2004 Noaily  
D498,729 S 11/2004 Neubauer et al.  
D512,370 S 12/2005 Pang  
D526,954 S 8/2006 Godeau

D529,434 S 10/2006 Regallis et al.  
D530,264 S 10/2006 Labbe et al.  
D530,265 S 10/2006 Hutz et al.  
D549,157 S 8/2007 Maus et al.  
D549,163 S 8/2007 Maus et al.  
D570,767 S 6/2008 Miyazaki et al.  
D573,941 S 7/2008 Song  
D573,942 S 7/2008 Song  
D589,436 S 3/2009 Beha et al.

## OTHER PUBLICATIONS

Yokohama Y713B Tire; 2005 Tread Design Guide, p. 137, row 4, item 5.\*

Primex Super Mud & Snow (G-2) Tire; 2005 Tread Design Guide, p. 161, row 3, item 2.\*

\* cited by examiner

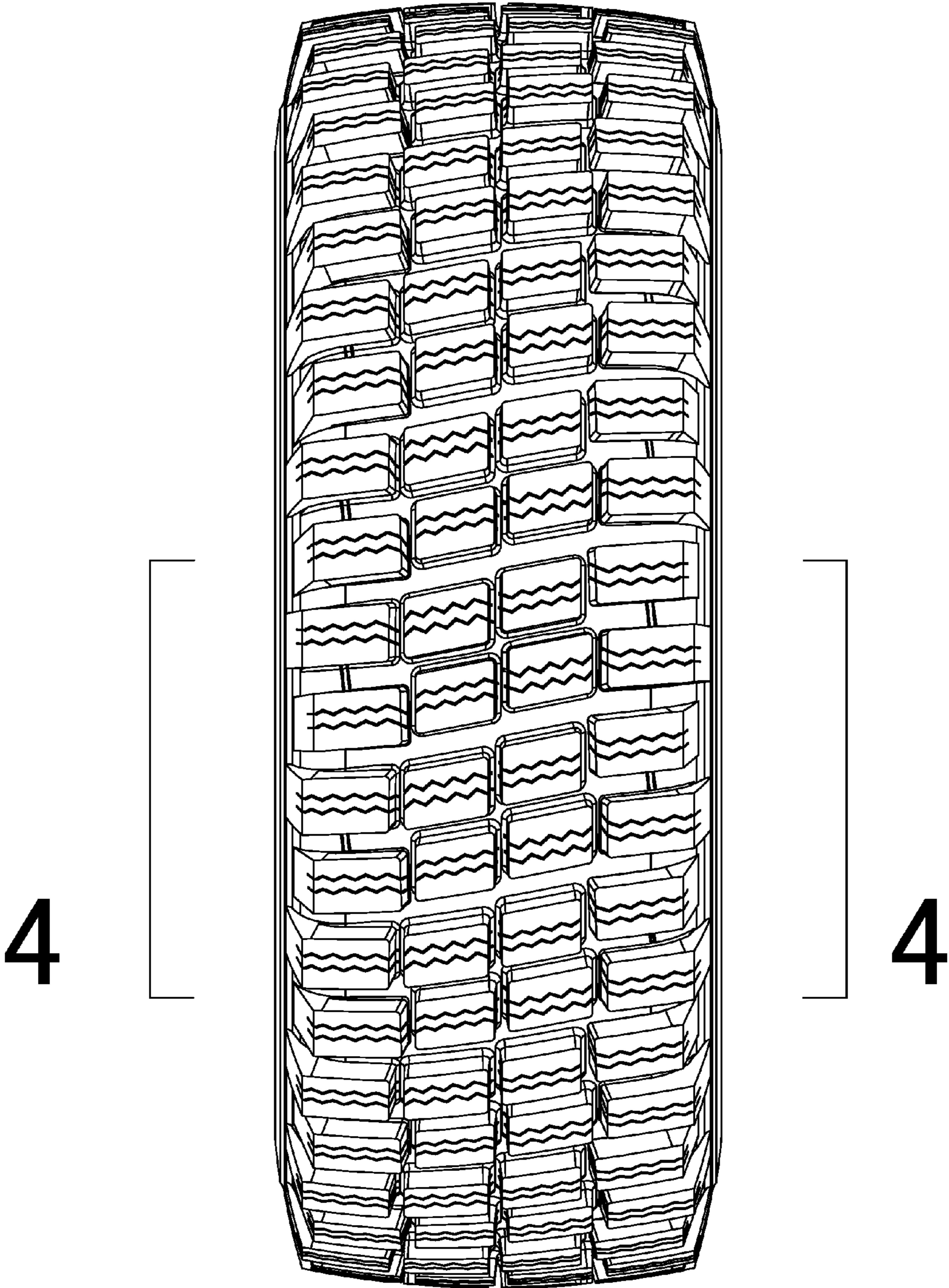


Fig. 1



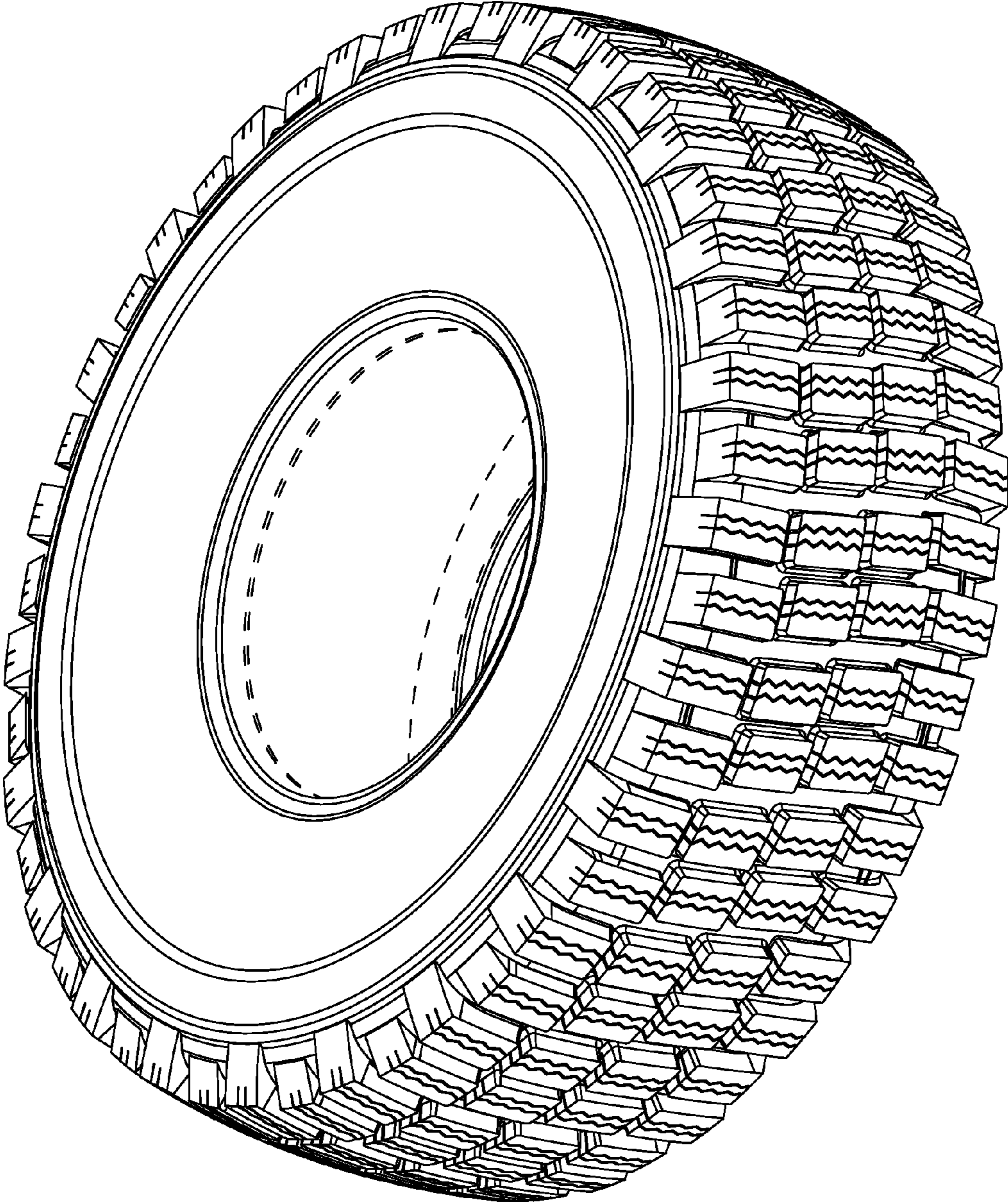


Fig. 2

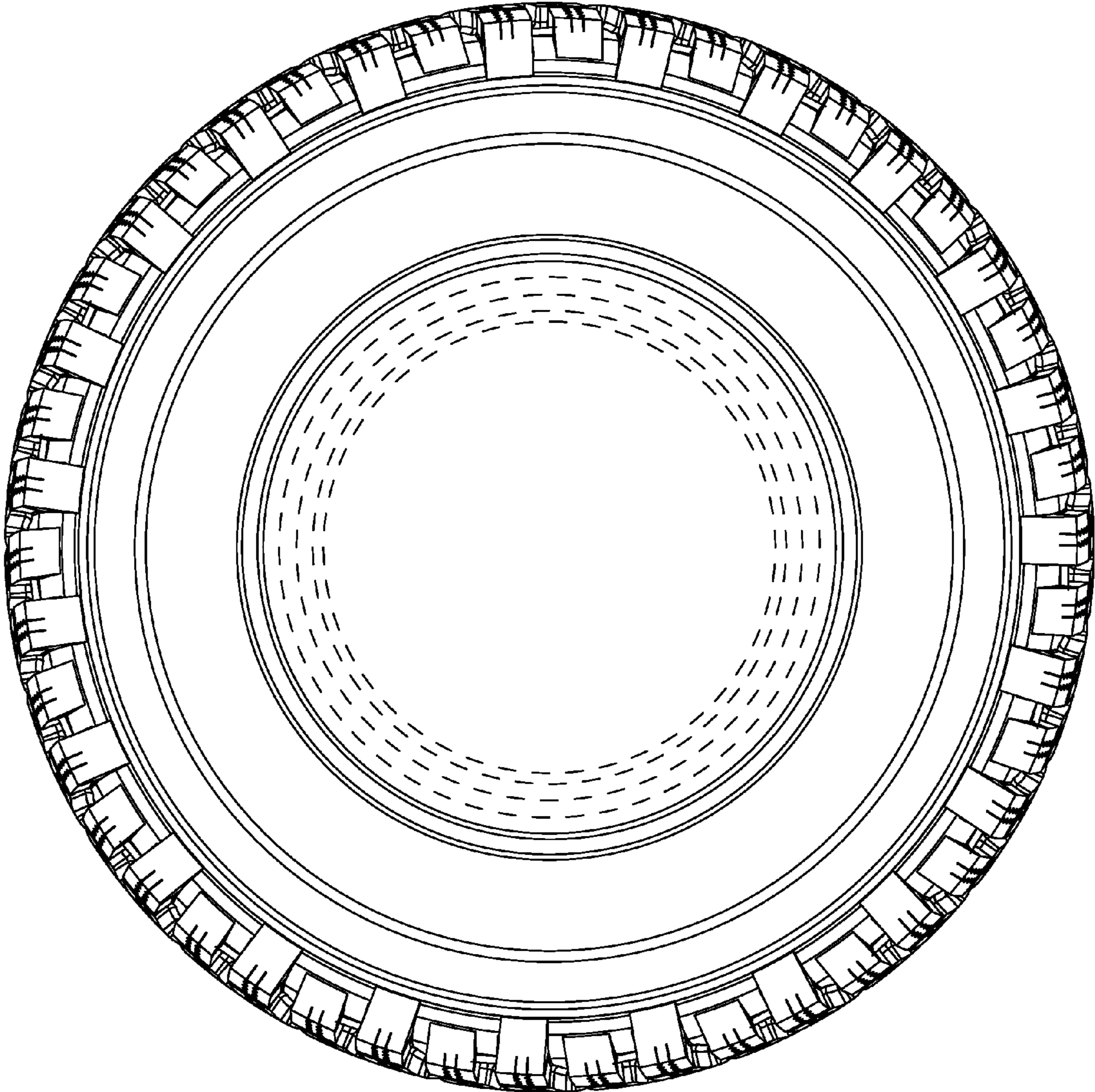


Fig. 3



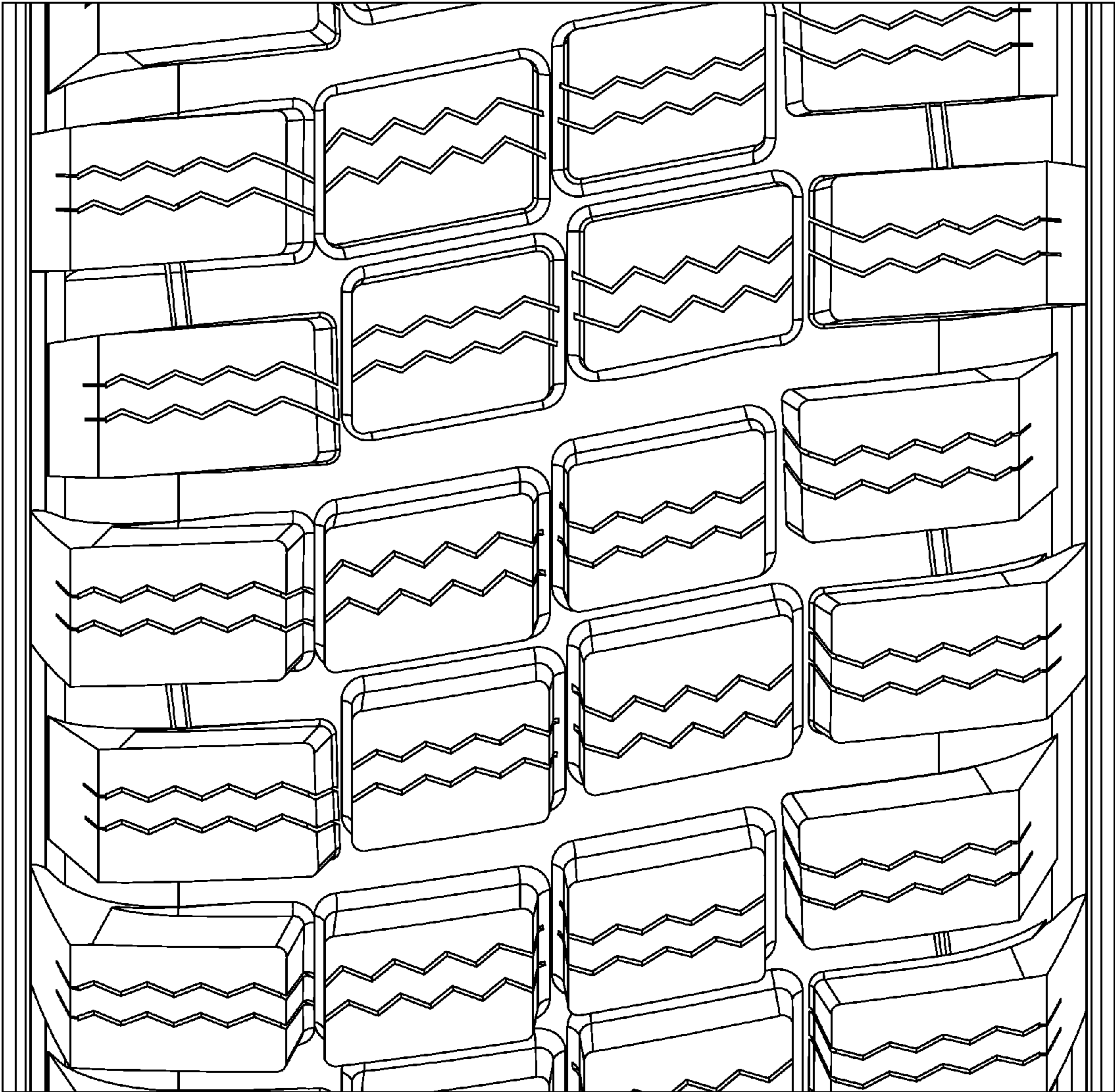


Fig. 4