



US00D633851S

(12) **United States Design Patent**  
**Scadden**

(10) **Patent No.:** **US D633,851 S**

(45) **Date of Patent:** **\*\* \*Mar. 8, 2011**

(54) **FISHING BOAT PONTOON**

(76) Inventor: **Dave Scadden**, Liberty, UT (US)

(\*) Notice: This patent is subject to a terminal disclaimer.

(\*\*) Term: **14 Years**

(21) Appl. No.: **29/294,941**

(22) Filed: **Feb. 4, 2008**

(51) **LOC (9) Cl.** ..... **12-06**

(52) **U.S. Cl.** ..... **D12/304; D12/316**

(58) **Field of Classification Search** ..... D12/300,  
D12/302, 303, 304, 316, 317; 114/61.25,  
114/343, 345, 347, 348, 351-358, 363, 39.26-39.29,  
114/123; D21/542, 801, 809, 810  
See application file for complete search history.

(56) **References Cited**

**U.S. PATENT DOCUMENTS**

3,261,038	A *	7/1966	Klepper	.....	114/345
D290,108	S *	6/1987	Wolfe	.....	D12/316
4,811,682	A *	3/1989	Hwang et al.	.....	114/345
D309,128	S *	7/1990	Walker et al.	.....	D12/316
D334,912	S *	4/1993	Harman	.....	D12/316
5,290,196	A *	3/1994	Steel	.....	D12/316
5,870,965	A *	2/1999	Hansen	.....	114/357
6,012,410	A *	1/2000	Monlezun et al.	.....	114/345

D421,085	S *	2/2000	Fife et al.	.....	D21/801
6,223,677	B1 *	5/2001	Hall et al.	.....	114/345
D505,653	S *	5/2005	Watling	.....	D12/316
D505,907	S *	6/2005	Bryham	.....	D12/300
D550,143	S *	9/2007	Anderson	.....	D12/300
2002/0096101	A1 *	7/2002	Hansen	.....	114/345

\* cited by examiner

*Primary Examiner* — Holly H. Baynham

*Assistant Examiner* — Cynthia M Chin

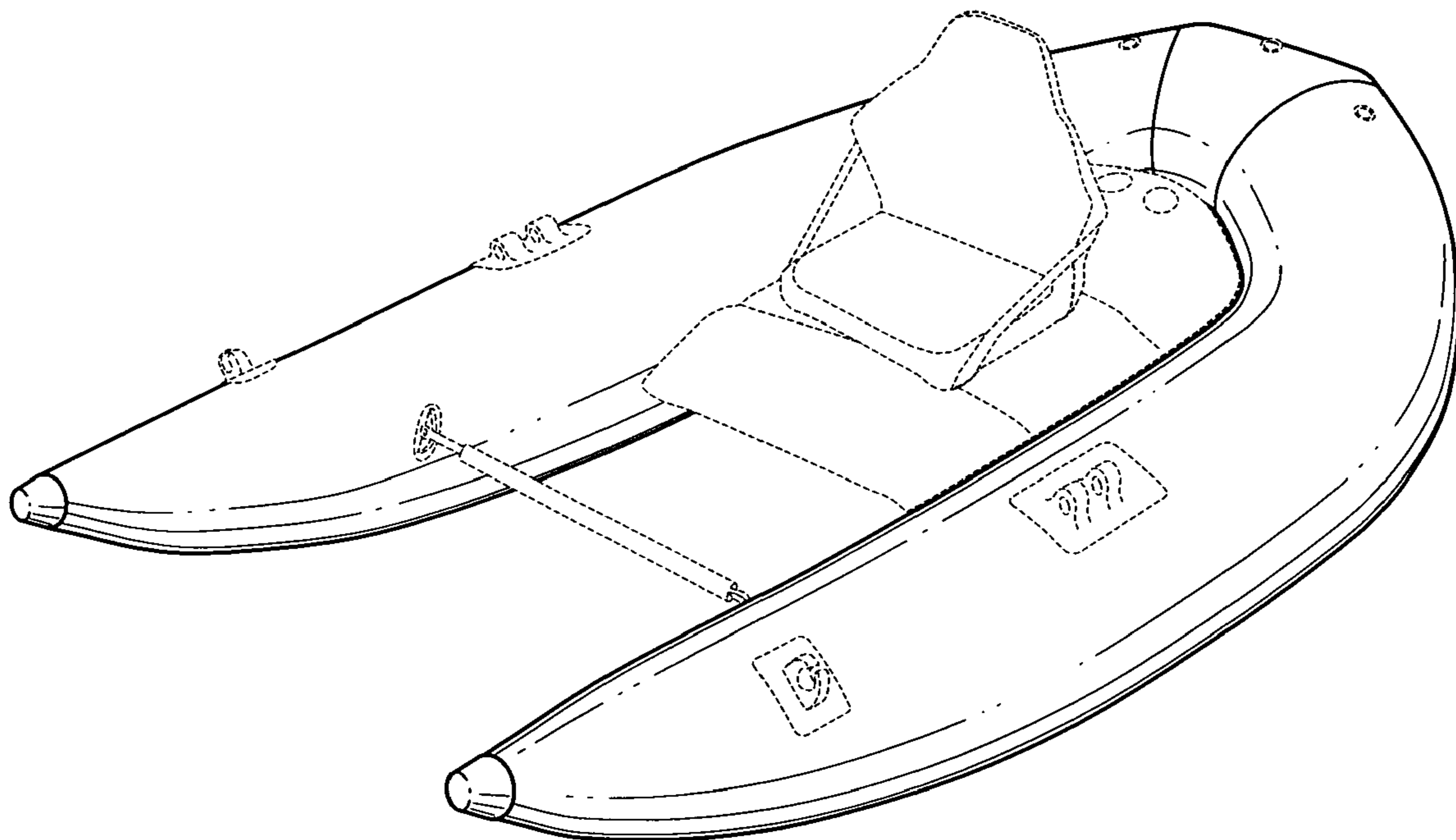
(57) **CLAIM**

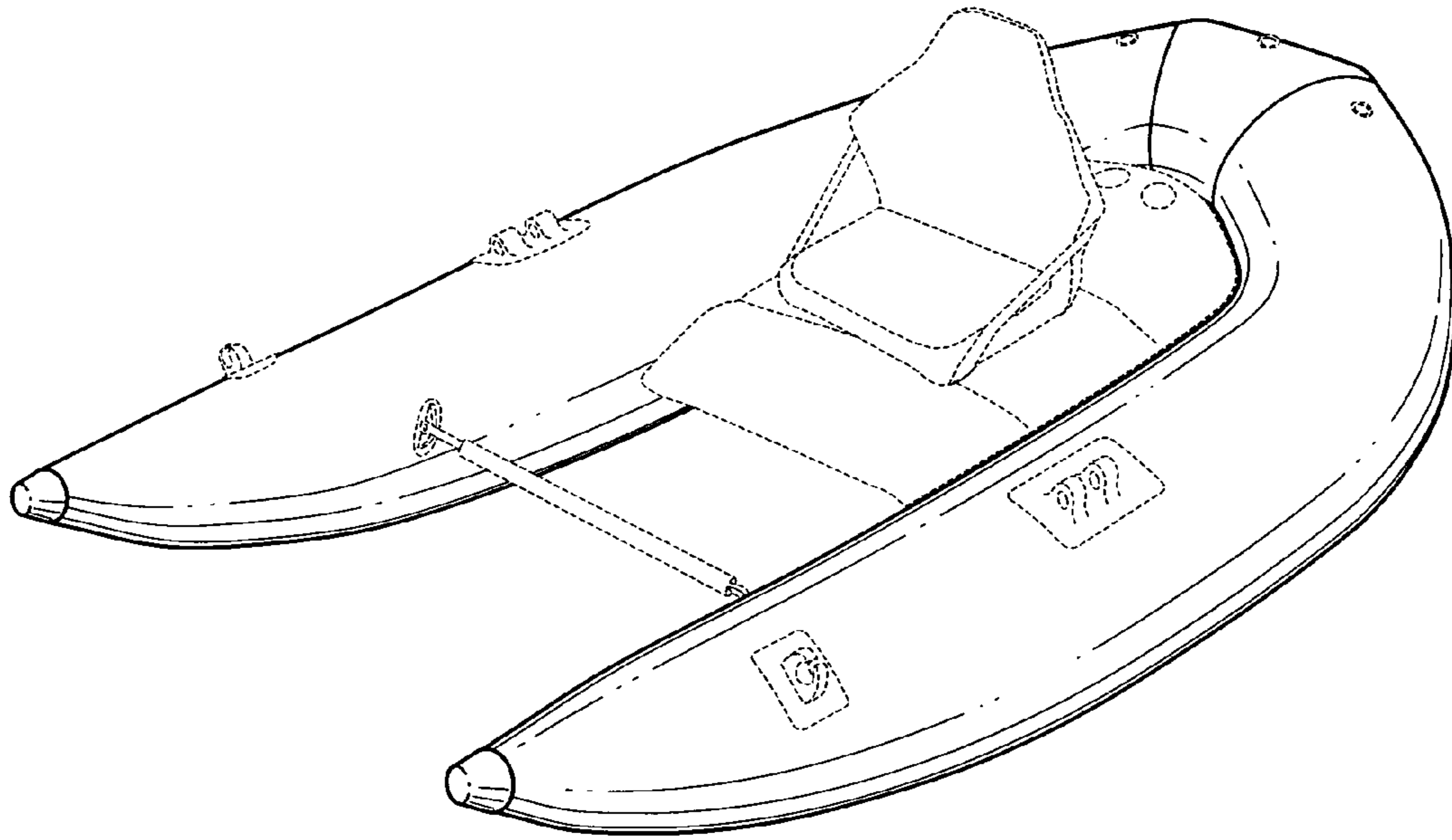
The ornamental design for a fishing boat pontoon, as shown and described.

**DESCRIPTION**

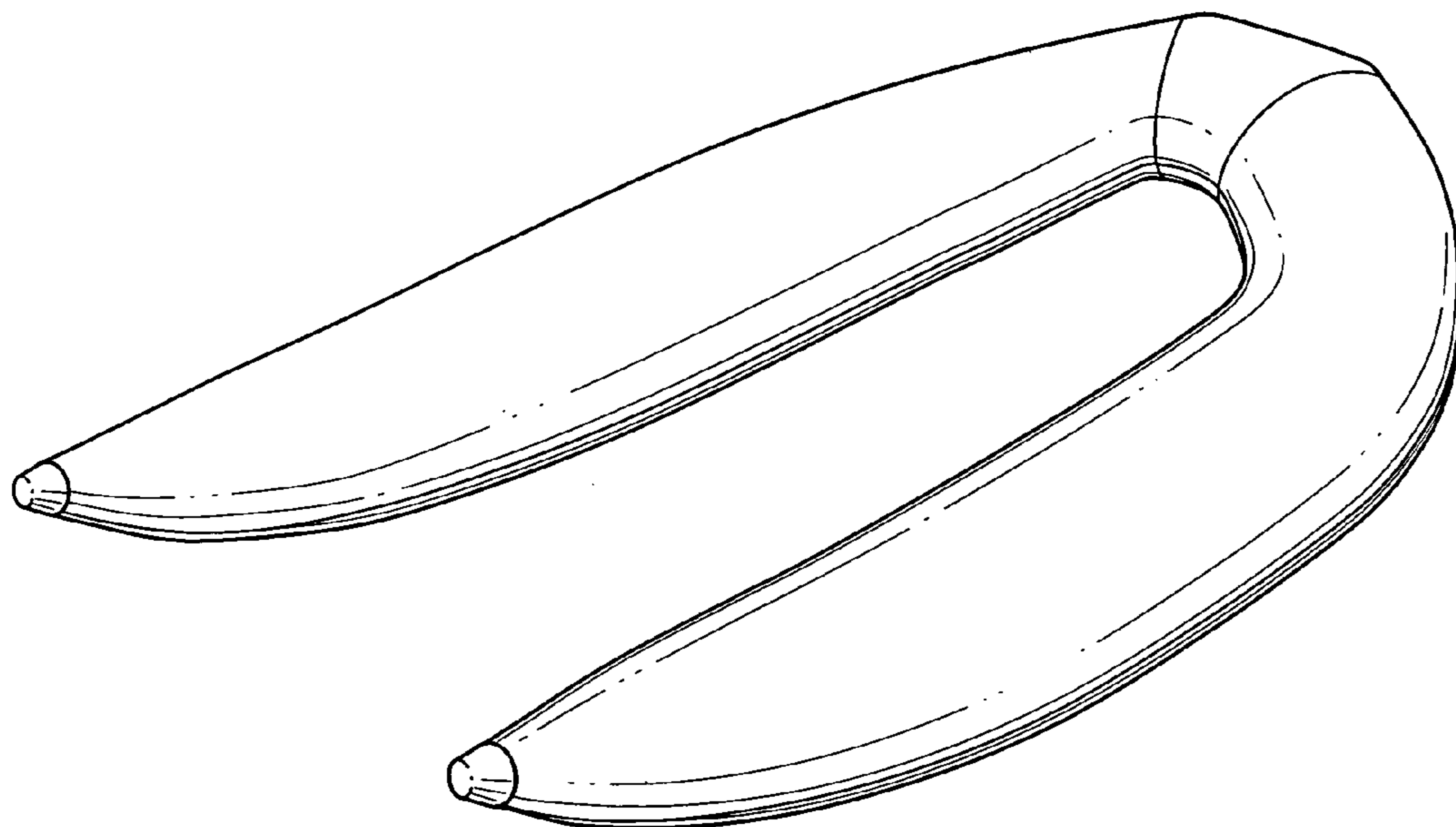
FIG. 1 is a perspective view taken from above the right front of the pontoon as part of a fishing boat, with a seat structure and feet rest of the boat shown in phantom for illustrative purposes only and forming no part of the claimed design; FIG. 2, a perspective view taken from above the right front of the pontoon; FIG. 3, a top plan view; FIG. 4, a left side elevation view, the right side elevation view being a mirror image thereof; FIG. 5, a bottom plan view; FIG. 6, a front elevation view; and, FIG. 7, a rear elevation view.

**1 Claim, 3 Drawing Sheets**

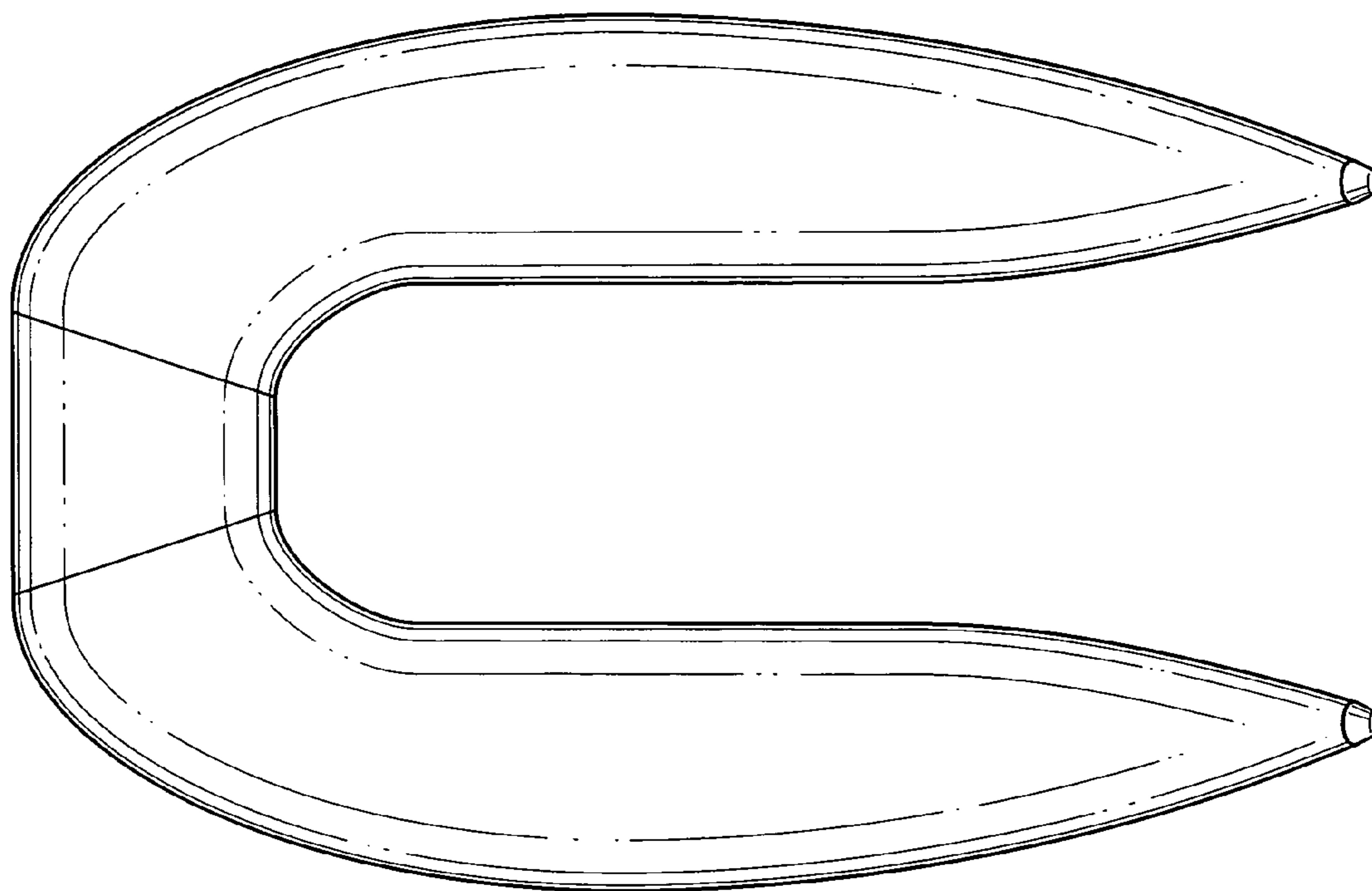




**FIG. 1**



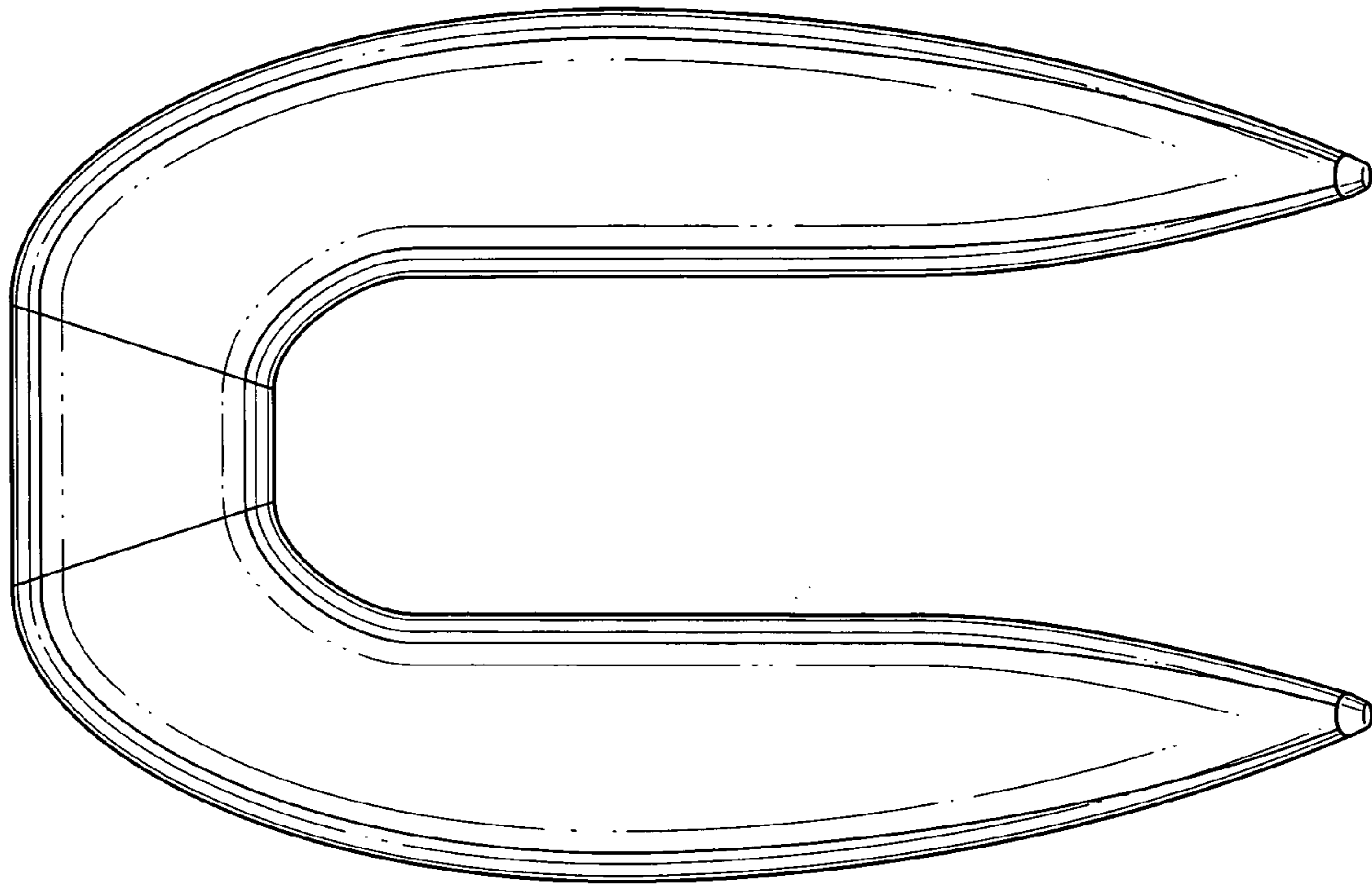
**FIG. 2**



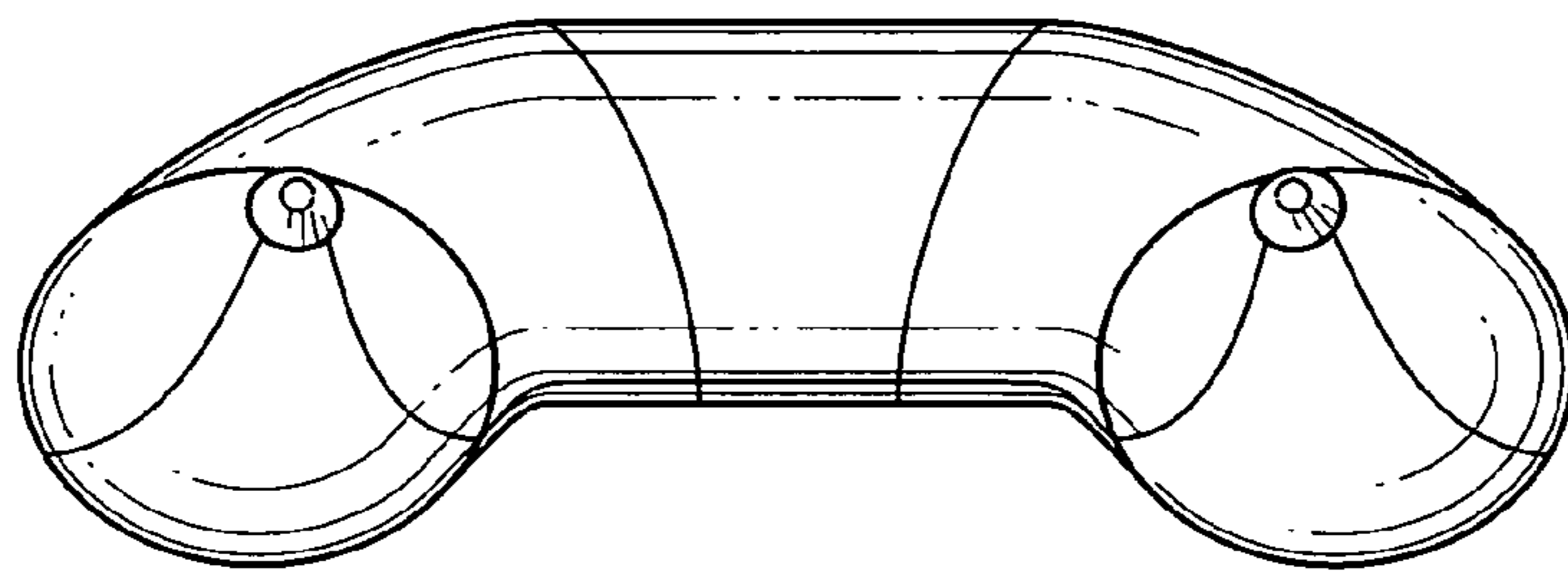
**FIG. 3**



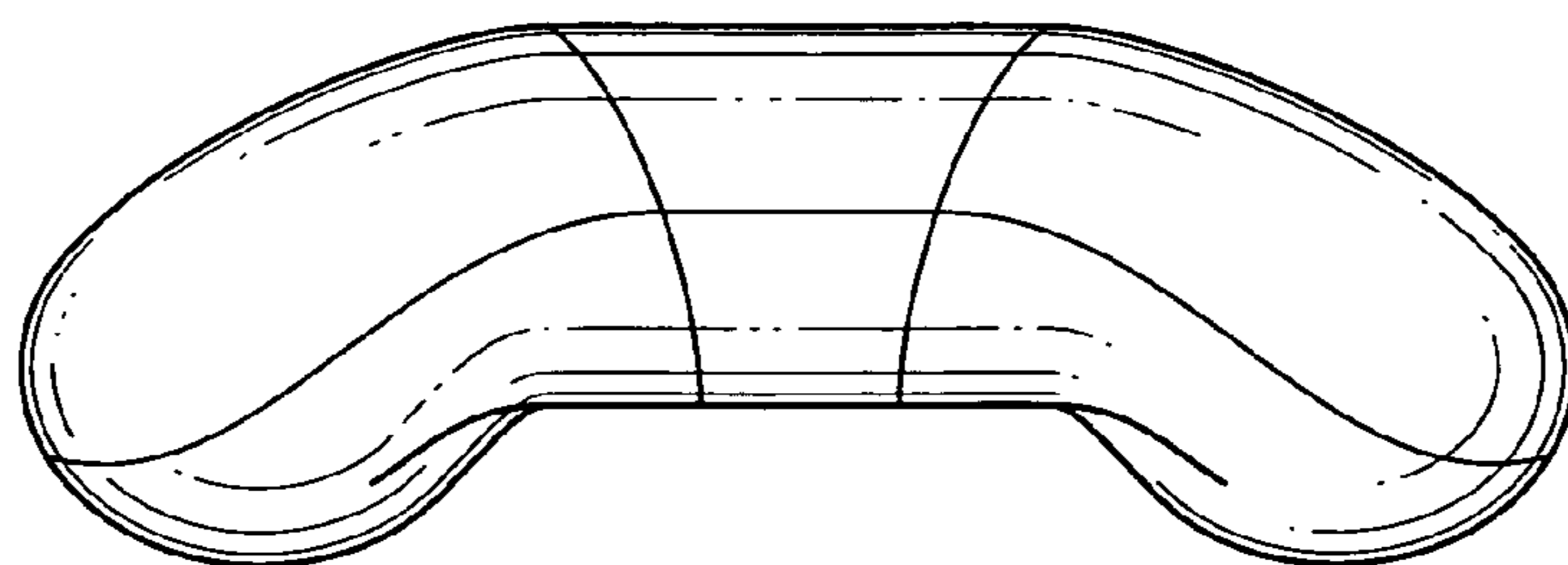
**FIG. 4**



**FIG. 5**



**FIG. 6**



**FIG. 7**