



US00D633849S

(12) **United States Design Patent**
Scolari et al.

(10) **Patent No.:** **US D633,849 S**
(45) **Date of Patent:** **** Mar. 8, 2011**

(54) **WHEEL**

(75) Inventors: **Nathan Anthony Scolari**, Greenville, SC (US); **Robert Wayne Lewis, Jr.**, Duncan, SC (US)

(73) Assignee: **Zike, LLC**, Greenville, SC (US)

(**) Term: **14 Years**

(21) Appl. No.: **29/368,549**

(22) Filed: **Aug. 25, 2010**

(51) **LOC (9) Cl.** **12-16**

(52) **U.S. Cl.** **D12/211**

(58) **Field of Classification Search** D12/204–213;
301/37.101, 64.101, 65, 64.201
See application file for complete search history.

(56) **References Cited**

U.S. PATENT DOCUMENTS

D267,563 S * 1/1983 Hayashi D12/211
D286,869 S * 11/1986 Hedlund D12/211
D292,572 S * 11/1987 Schell et al. D12/211

D432,482 S * 10/2000 Hodges D12/211
D444,117 S * 6/2001 Manton D12/211
D465,759 S * 11/2002 Leutz et al. D12/211
D476,939 S * 7/2003 Francis D12/209
D481,983 S * 11/2003 Lee D12/211
D505,651 S * 5/2005 Arellano et al. D12/211
D506,966 S * 7/2005 Kataoka D12/209
D542,499 S * 5/2007 Liu D12/209
D621,321 S * 8/2010 Groom D12/211

* cited by examiner

Primary Examiner — Stacia Cadmus

(74) *Attorney, Agent, or Firm* — David L King

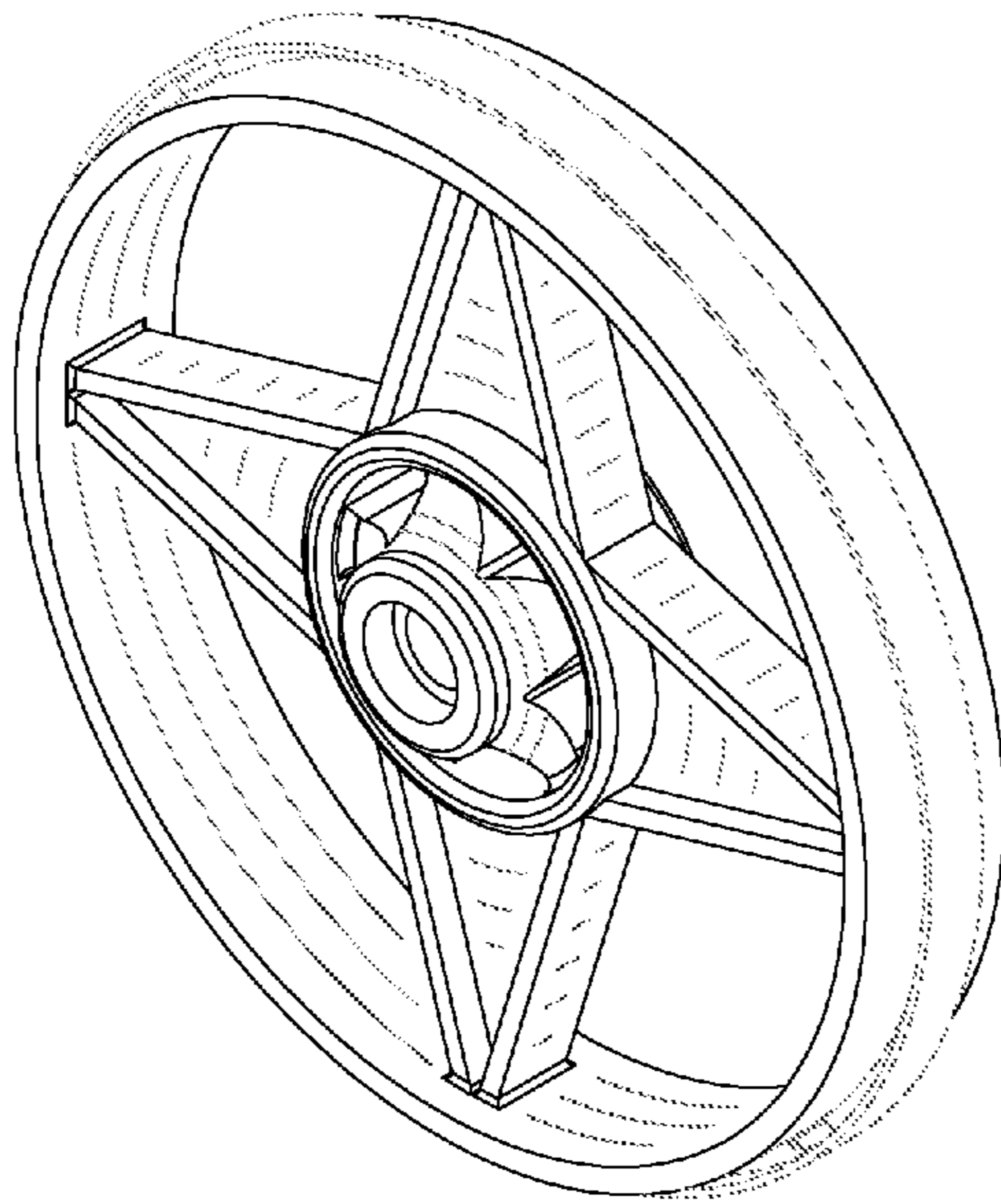
(57) **CLAIM**

The ornamental design for a wheel, as shown and described.

DESCRIPTION

FIG. 1 is a perspective view of a wheel showing our new, original and ornamental design;
FIG. 2 is a front view thereof;
FIG. 3 is a side view thereof;
FIG. 4 is a rear view thereof; and,
FIG. 5 is a top view thereof.

1 Claim, 5 Drawing Sheets



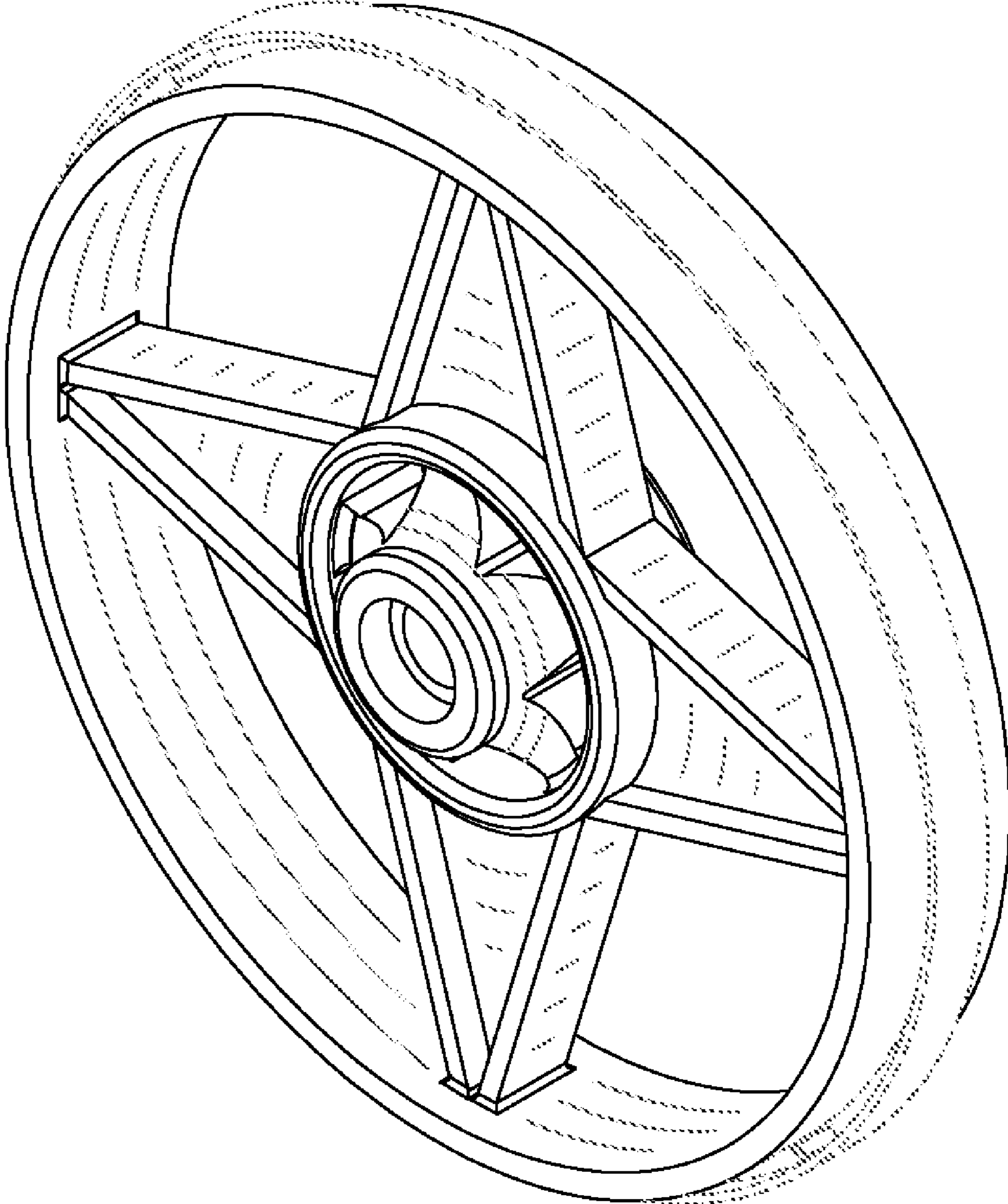


FIG-1



FIG-2

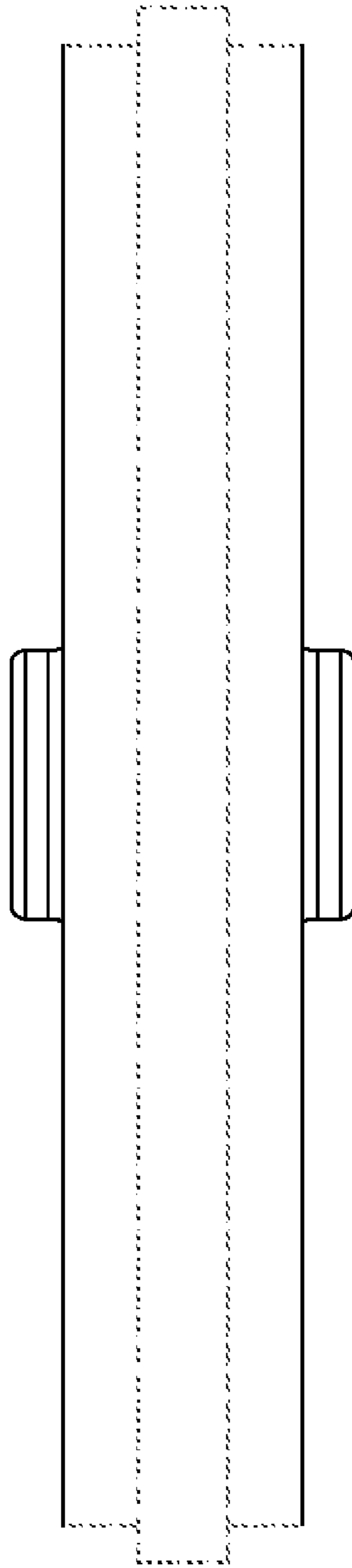


FIG-3

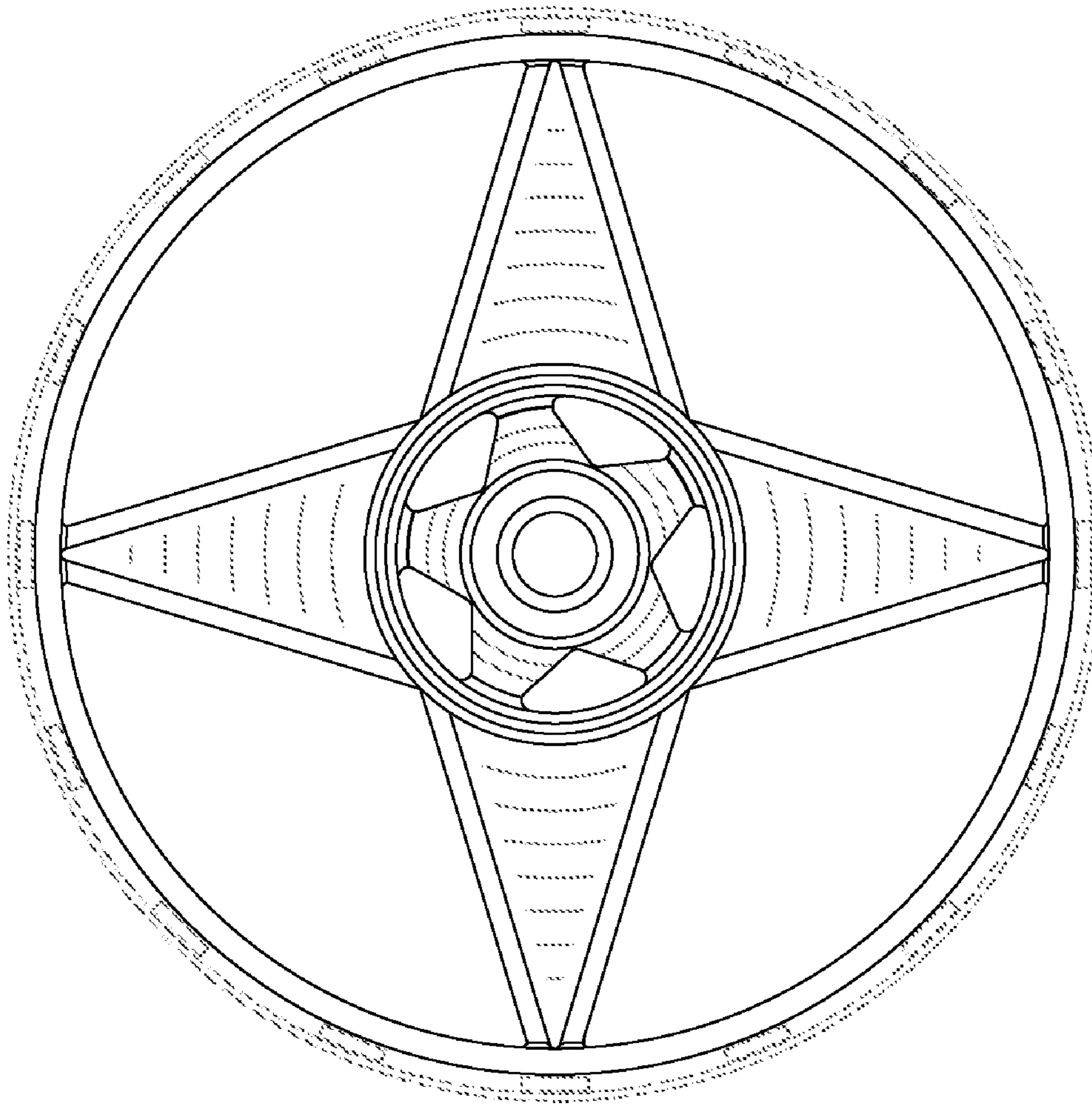


FIG-4

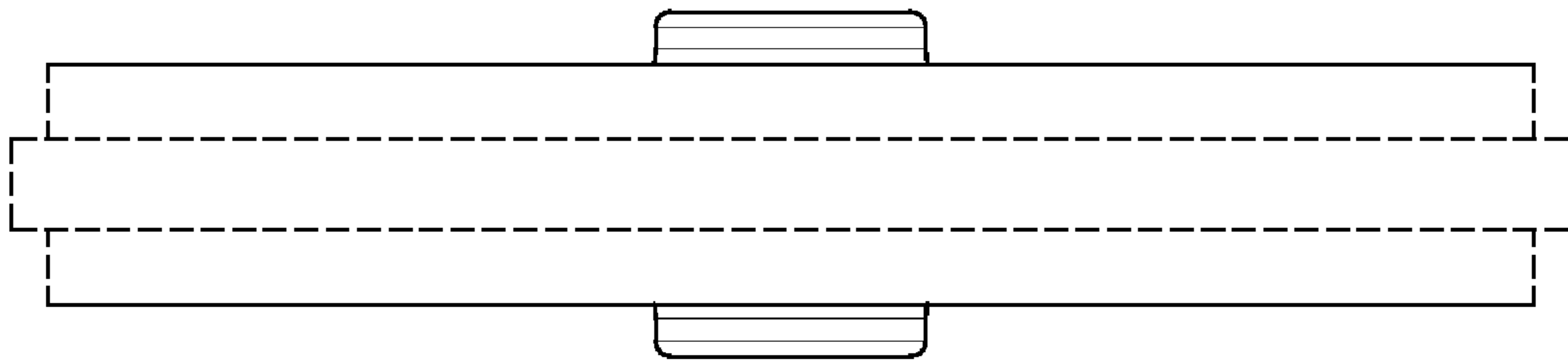


FIG-5