



US00D633847S

(12) **United States Design Patent**  
**Johnson**

(10) **Patent No.:** **US D633,847 S**  
(45) **Date of Patent:** **\*\* Mar. 8, 2011**

(54) **AUTOMOTIVE WHEEL**

(75) **Inventor:** **Kelly Johnson**, Placentia, CA (US)

(73) **Assignee:** **MKW Alloy Inc.**, City of Industry, CA  
(US)

(\*\*) **Term:** **14 Years**

(21) **Appl. No.:** **29/351,616**

(22) **Filed:** **Dec. 8, 2009**

(51) **LOC (9) Cl.** ..... **12-16**

(52) **U.S. Cl.** ..... **D12/211**

(58) **Field of Classification Search** ..... D12/204-213;  
301/37.101, 64.101, 65, 64.201

See application file for complete search history.

(56) **References Cited**

U.S. PATENT DOCUMENTS

D504,098 S *	4/2005	Gallert .....	D12/209
D544,823 S *	6/2007	Hieke .....	D12/211
D573,083 S *	7/2008	Hetrick .....	D12/211
D584,674 S *	1/2009	Chung .....	D12/211
D586,284 S *	2/2009	Fridie .....	D12/211
D593,478 S *	6/2009	Tirado .....	D12/211

\* cited by examiner

*Primary Examiner* — Stacia Cadmus

(74) *Attorney, Agent, or Firm* — MKW Alloy Inc; Kevin Lee

(57) **CLAIM**

The ornamental design for an automotive wheel, as shown and described.

**DESCRIPTION**

FIG. 1 is a front view of an automotive wheel, showing my new design; and,

FIG. 2 is a perspective view thereof.

**1 Claim, 2 Drawing Sheets**

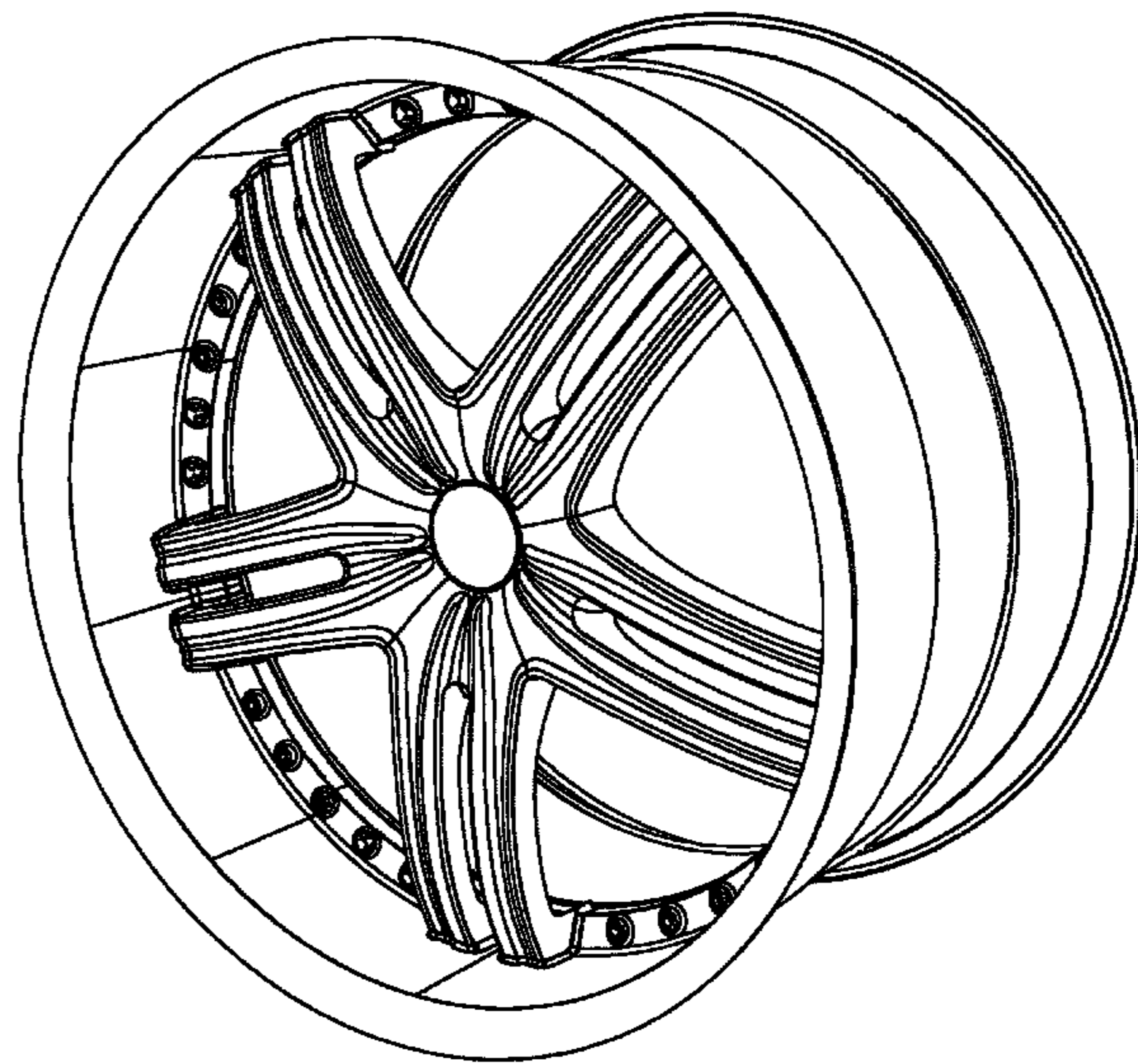
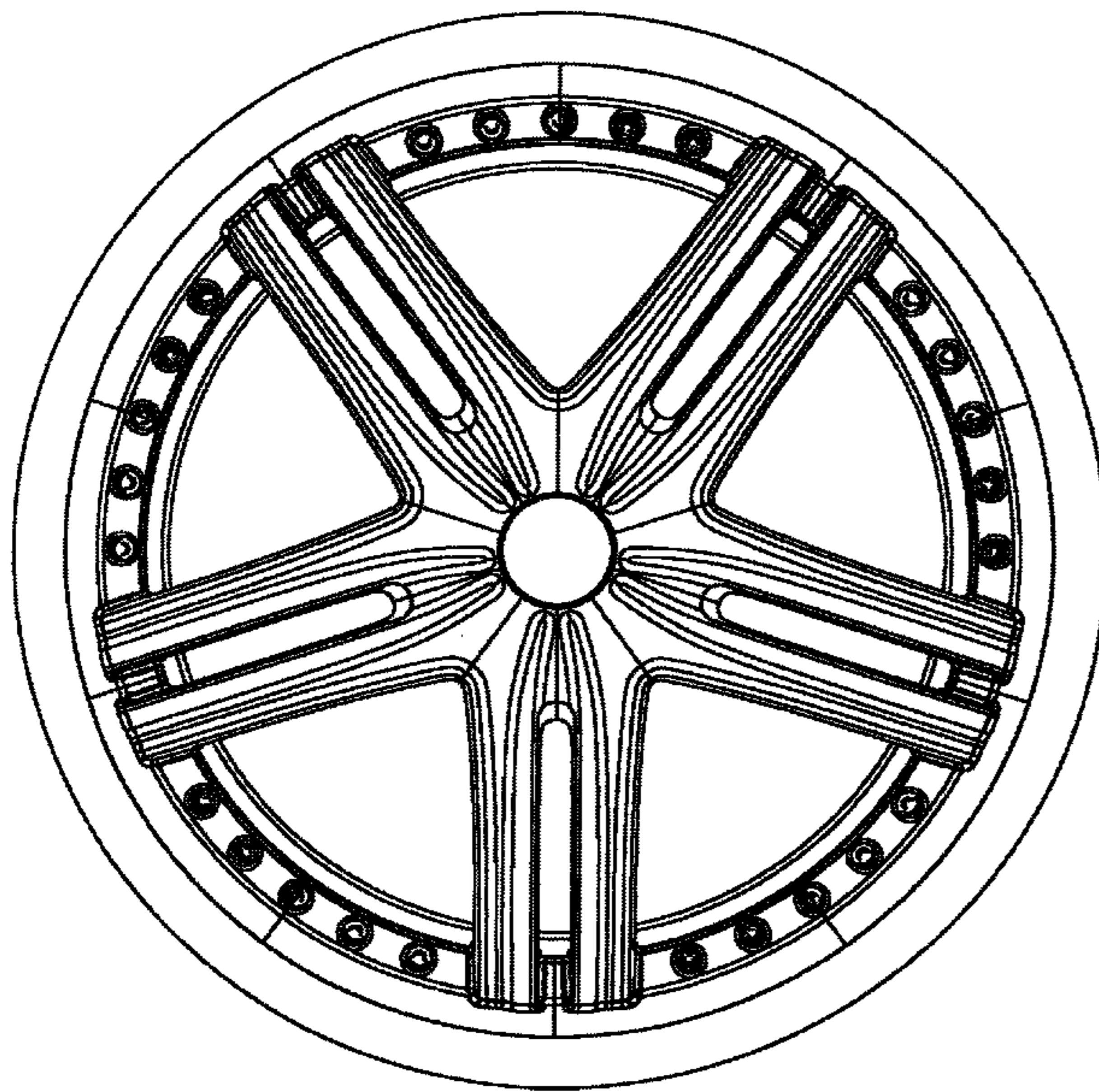


FIGURE 1

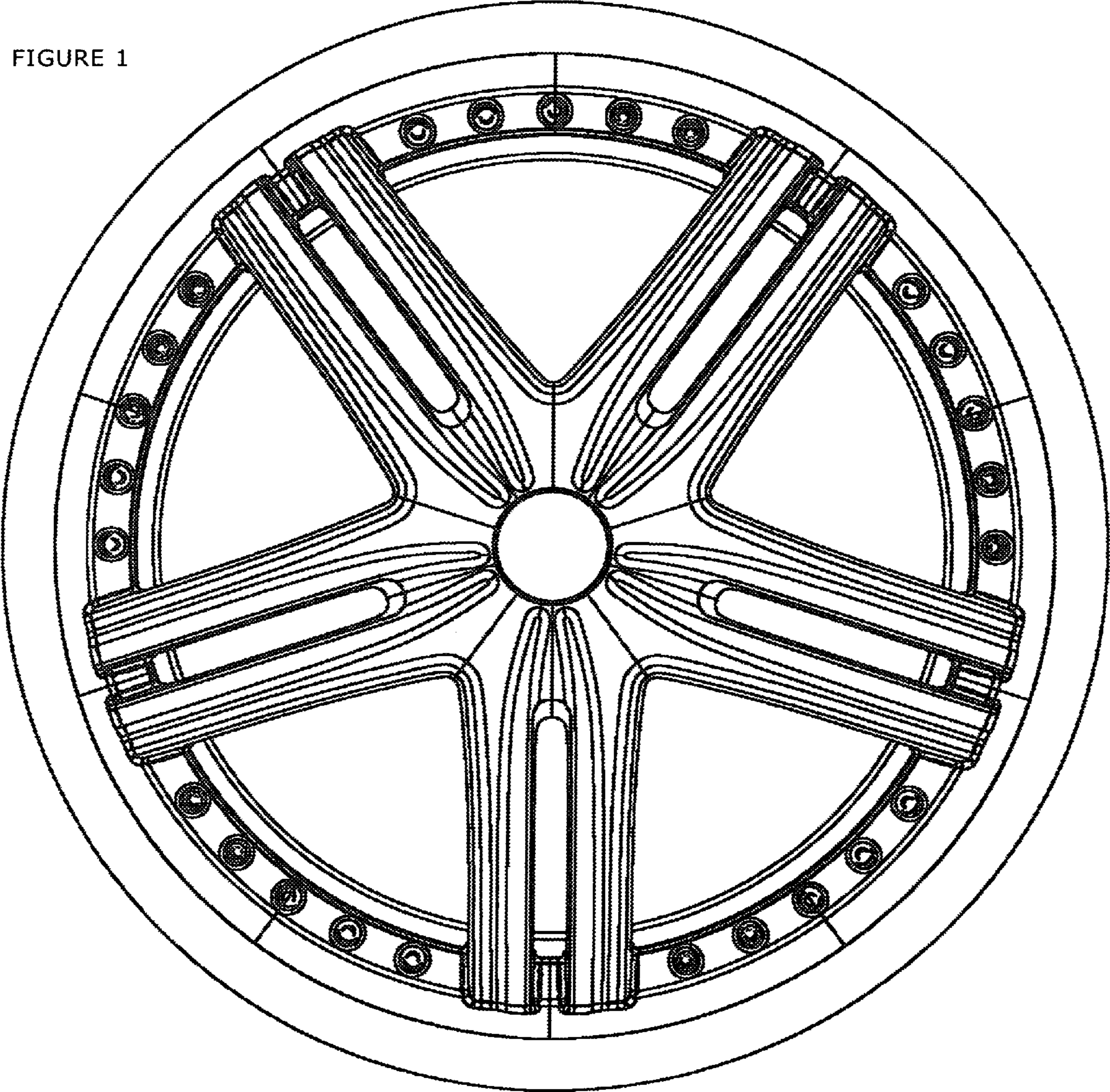


FIGURE 2

