



US00D633846S

(12) **United States Design Patent**  
**Johnson**

(10) **Patent No.:** **US D633,846 S**

(45) **Date of Patent:** **\*\* Mar. 8, 2011**

(54) **AUTOMOTIVE WHEEL**

(75) Inventor: **Kelly Johnson**, Placentia, CA (US)

(73) Assignee: **MKW Alloy Inc**, City of Industry

(\*\*) Term: **14 Years**

(21) Appl. No.: **29/351,608**

(22) Filed: **Dec. 8, 2009**

(51) **LOC (9) Cl.** ..... **12-16**

(52) **U.S. Cl.** ..... **D12/211**

(58) **Field of Classification Search** ..... D12/204-213;  
301/37.101, 64.101, 65, 64.201  
See application file for complete search history.

D532,740 S *	11/2006	Ettensberger .....	D12/211
D538,215 S *	3/2007	Laengerer et al. ....	D12/209
D546,264 S *	7/2007	Young .....	D12/211
D550,599 S *	9/2007	Celik .....	D12/209
D555,568 S *	11/2007	Hetrick .....	D12/211
D582,329 S *	12/2008	Hieke .....	D12/209
D583,292 S *	12/2008	Chung .....	D12/211
D585,808 S *	2/2009	Hetrick .....	D12/211
D586,282 S *	2/2009	Pfeiffer .....	D12/209
D603,778 S *	11/2009	Chung .....	D12/211
D613,662 S *	4/2010	Cortes .....	D12/211

\* cited by examiner

*Primary Examiner* — Stacia Cadmus

(74) *Attorney, Agent, or Firm* — MKW Alloy Inc; Kevin Lee

(57) **CLAIM**

The ornamental design for an automotive wheel, as shown and described.

**DESCRIPTION**

FIG. 1 is a front view of an automotive wheel, showing my new design; and, FIG. 2 is a perspective view thereof.

**1 Claim, 2 Drawing Sheets**

(56) **References Cited**

**U.S. PATENT DOCUMENTS**

D480,038 S *	9/2003	Oh .....	D12/211
D504,860 S *	5/2005	Kushartanto .....	D12/211
D524,712 S *	7/2006	Pfeiffer .....	D12/211
D526,268 S *	8/2006	Pfeiffer .....	D12/211

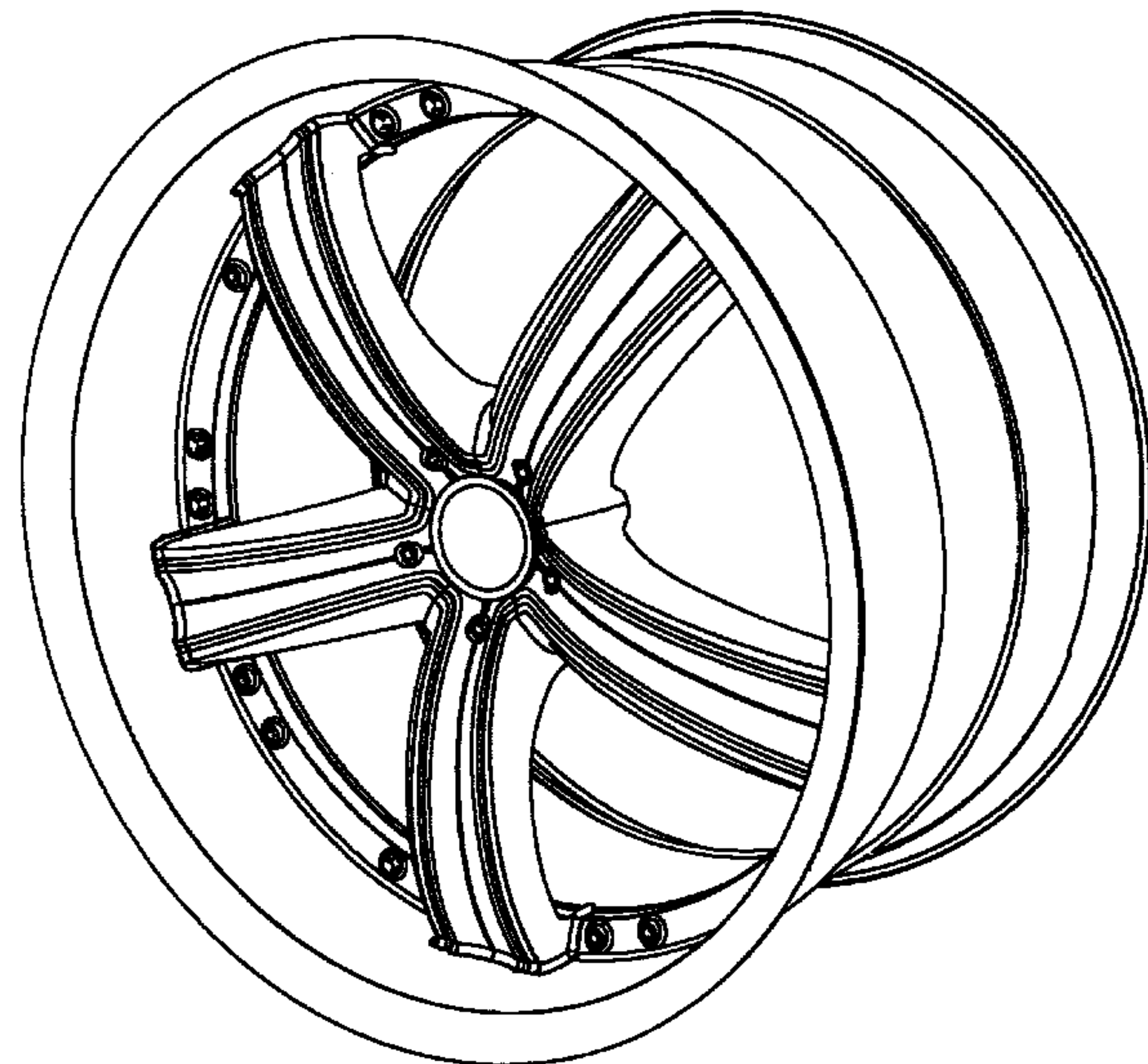
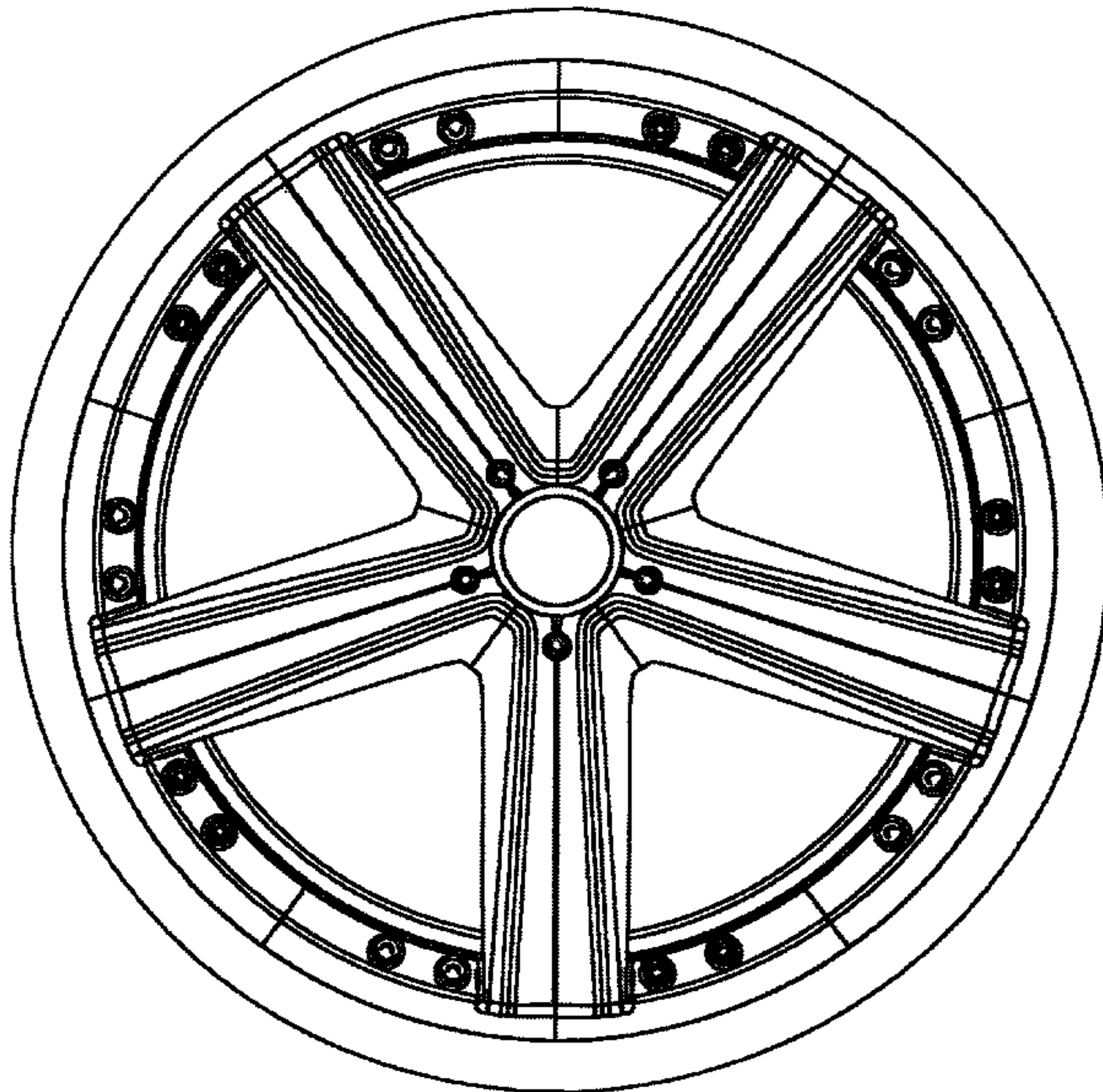


FIGURE 1

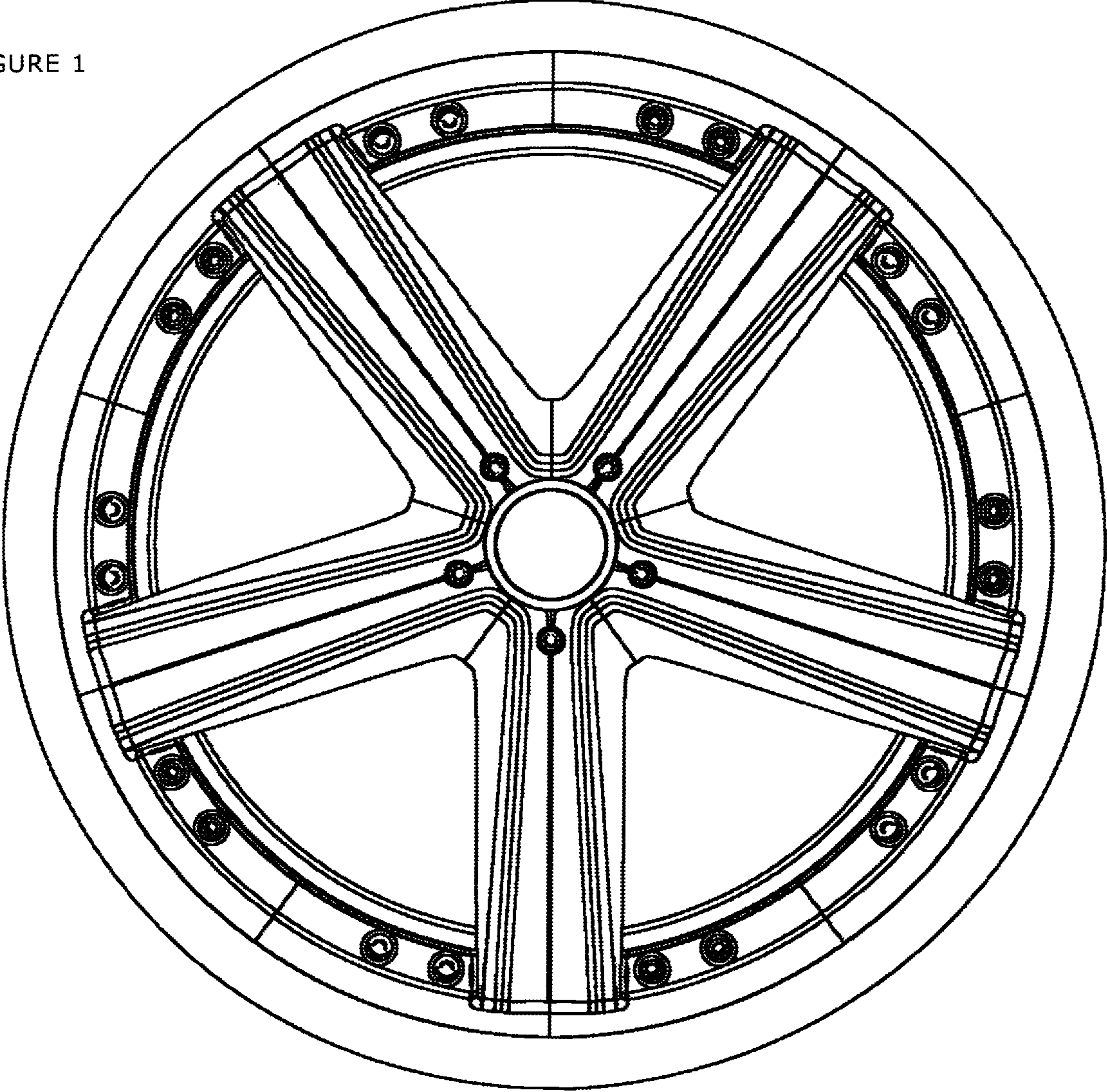




FIGURE 2

