



US00D633845S

(12) **United States Design Patent**
Scolari et al.

(10) **Patent No.:** **US D633,845 S**
(45) **Date of Patent:** **** Mar. 8, 2011**

(54) **WHEEL**

(75) Inventors: **Nathan Anthony Scolari**, Greenville, SC (US); **Geoffrey Michael Bergmark**, Hendersonville, NC (US)

(73) Assignee: **Zike, LLC**, Greenville, SC (US)

(**) Term: **14 Years**

(21) Appl. No.: **29/368,772**

(22) Filed: **Aug. 30, 2010**

(51) **LOC (9) Cl.** **12-16**

(52) **U.S. Cl.** **D12/209**

(58) **Field of Classification Search** D12/204–213;
301/37.101, 64.101, 65, 64.201
See application file for complete search history.

(56) **References Cited**

U.S. PATENT DOCUMENTS

D471,851 S	*	3/2003	McMath	D12/209
D485,524 S	*	1/2004	Bhambra	D12/209
D505,650 S	*	5/2005	Tirado	D12/209
D539,720 S	*	4/2007	Looho	D12/209
D554,035 S	*	10/2007	Groom	D12/209
D560,585 S	*	1/2008	Blasi	D12/209
D572,651 S	*	7/2008	Schweizer	D12/211
D583,740 S	*	12/2008	Frizzi	D12/209
D585,805 S	*	2/2009	Friedrich et al.	D12/209

D586,715 S	*	2/2009	Cortes	D12/211
D593,018 S	*	5/2009	Juergens et al.	D12/209
D617,710 S	*	6/2010	Ectors et al.	D12/209
D617,722 S	*	6/2010	Zhao	D12/211
D619,070 S	*	7/2010	Pollmann	D12/209
D619,074 S	*	7/2010	Zhao	D12/211
D620,865 S	*	8/2010	Park	D12/209
D621,767 S	*	8/2010	Ectors et al.	D12/209

* cited by examiner

Primary Examiner—Stacia Cadmus

(74) *Attorney, Agent, or Firm*—David L King

(57) **CLAIM**

The ornamental design for a wheel, as shown and described.

DESCRIPTION

FIG. 1 is a perspective view of a wheel showing our new, original and ornamental design;

FIG. 2 is a front view thereof;

FIG. 3 is a side view thereof;

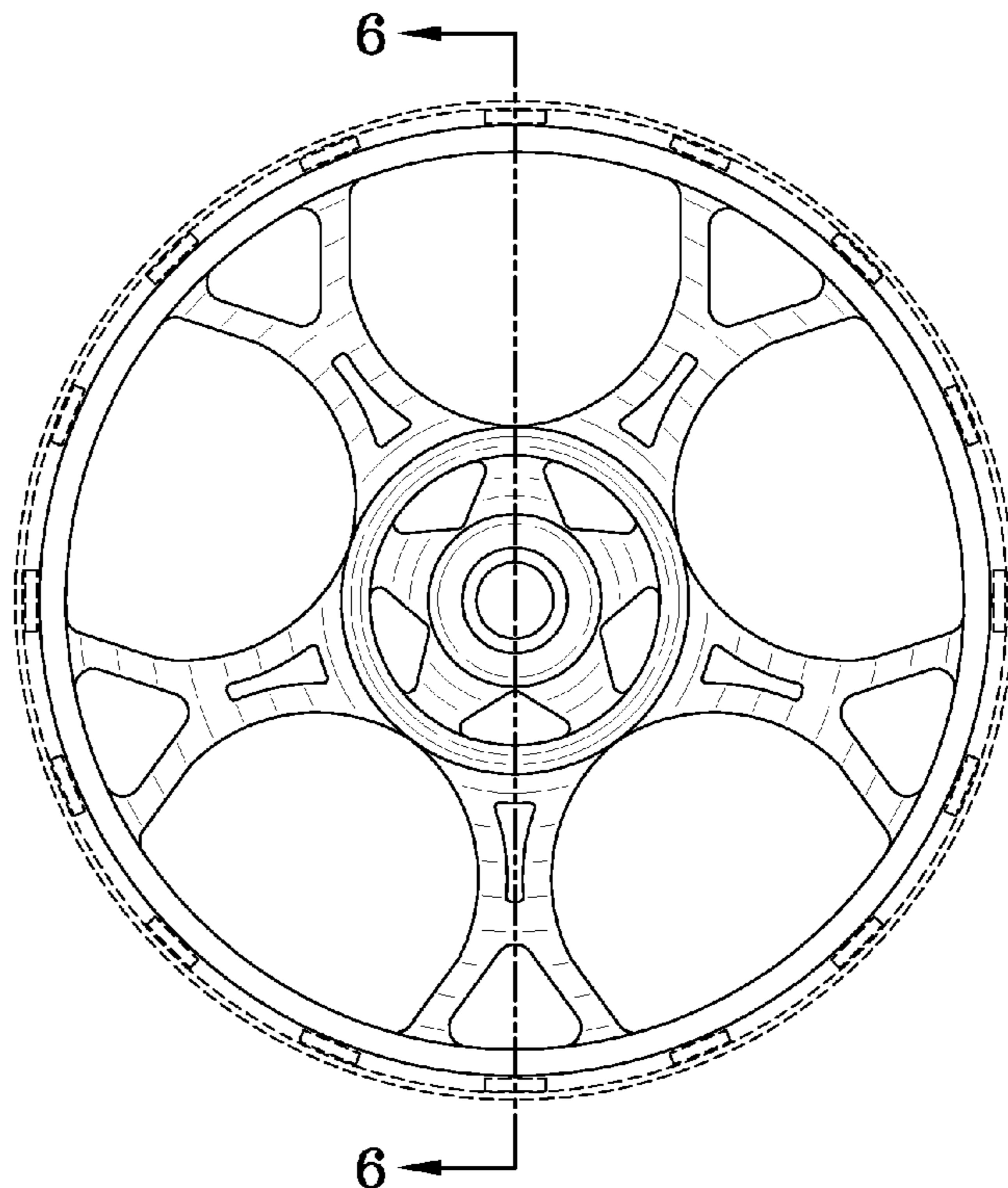
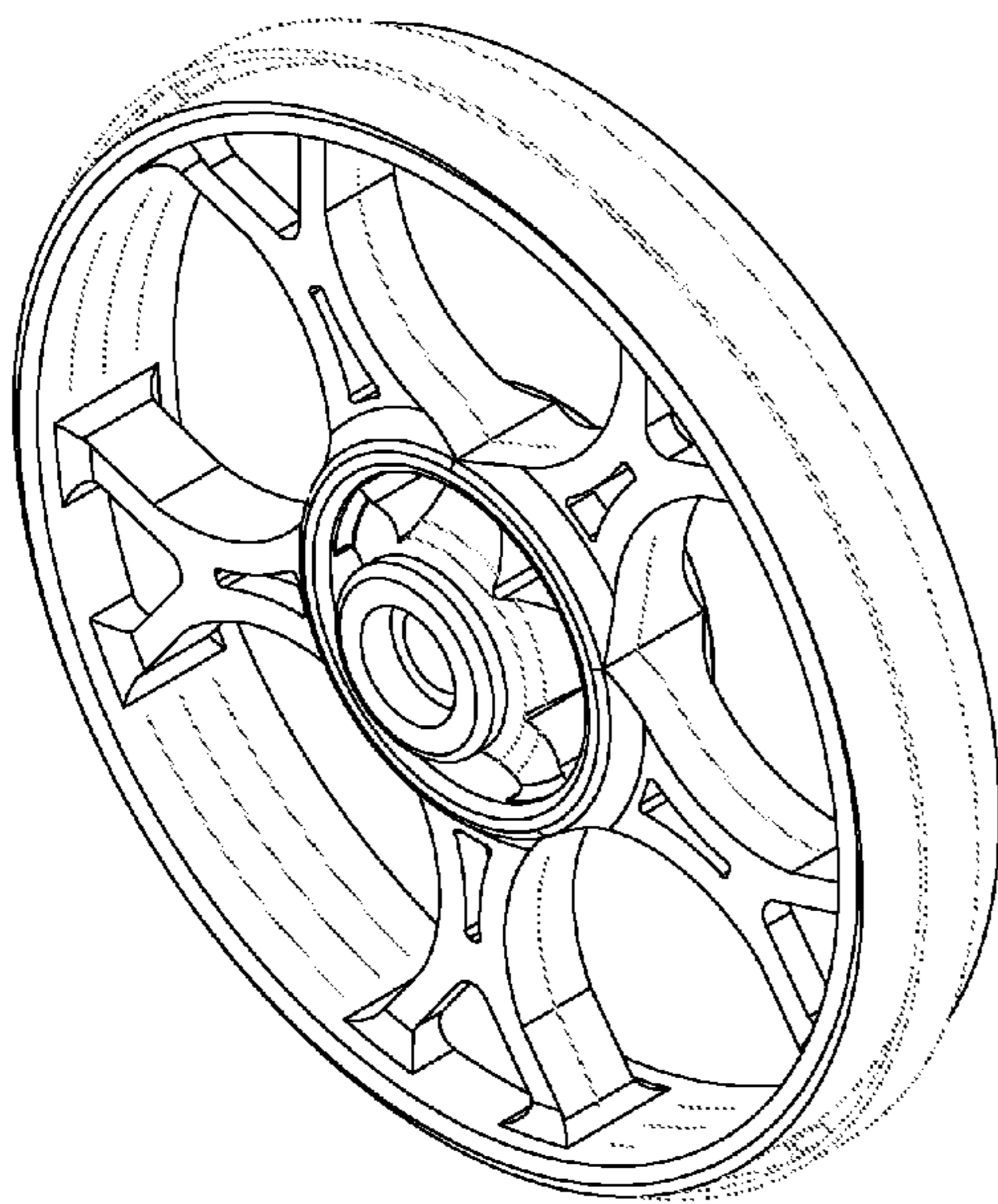
FIG. 4 is a rear view thereof;

FIG. 5 is a top view thereof; and,

FIG. 6 is a cross sectional view taken along line 6—6 in FIG. 2 thereof.

The structure shown in phantom is for illustrative purposes only and forms no part of the claimed design.

1 Claim, 5 Drawing Sheets



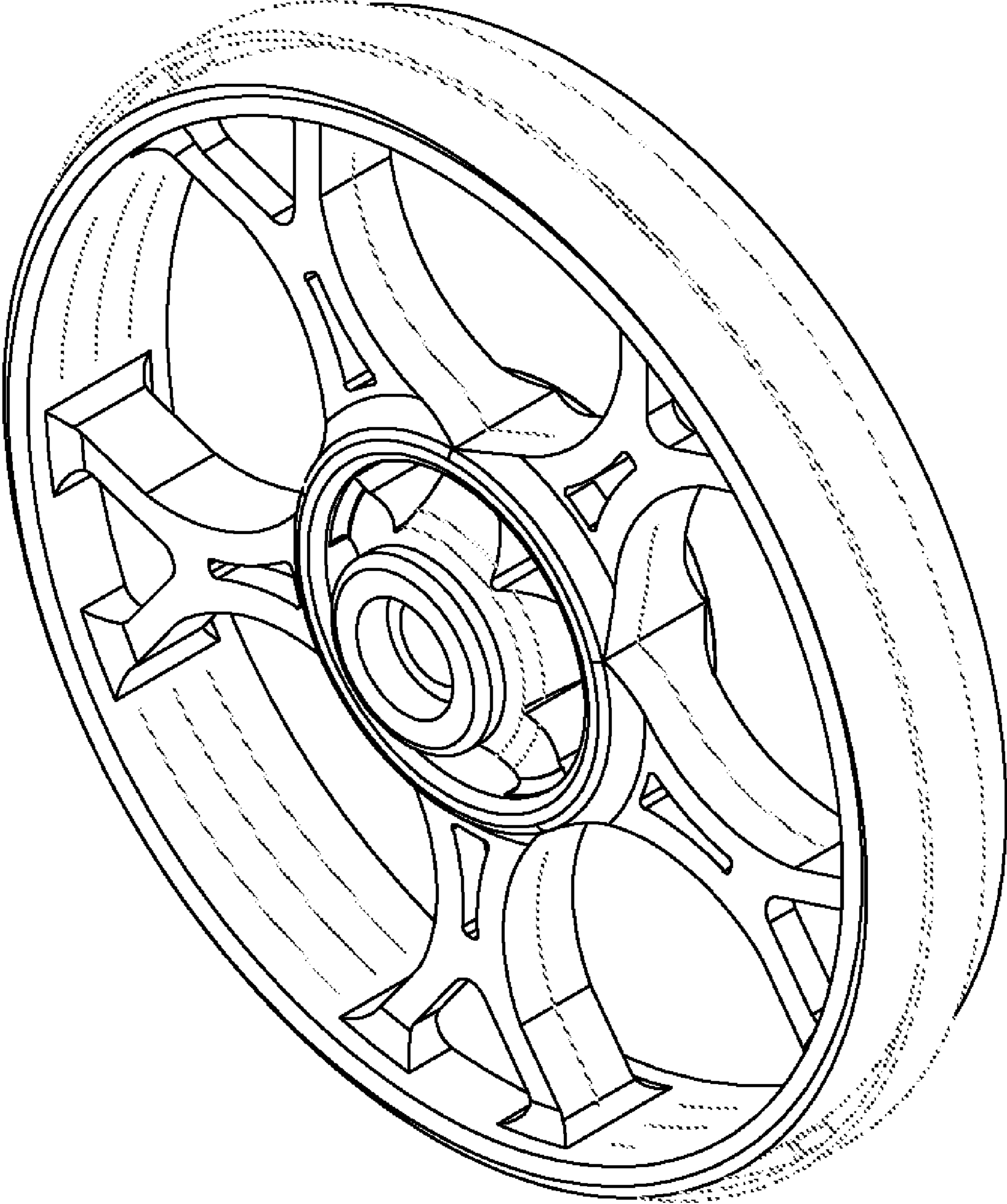


FIG-1

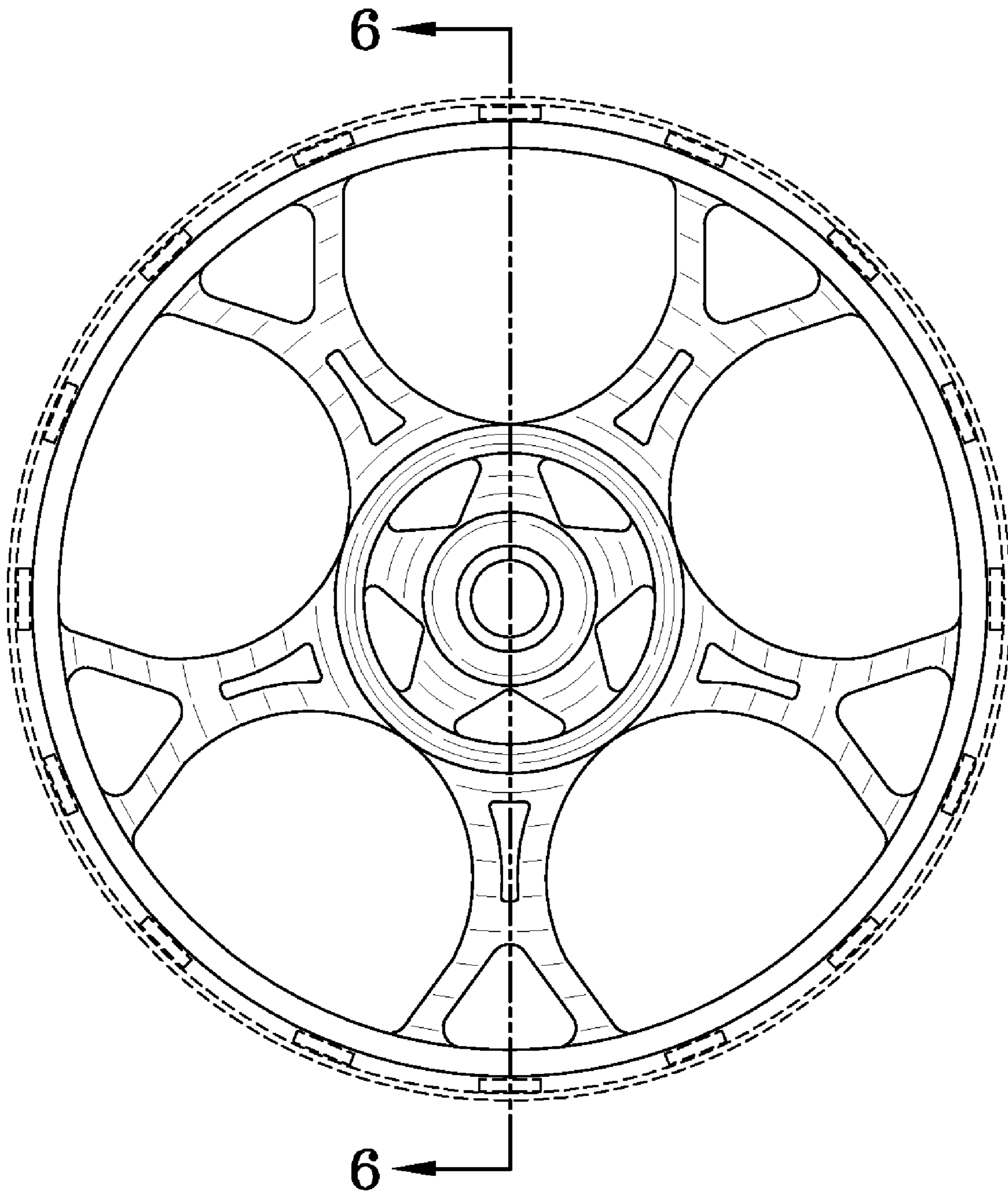


FIG-2

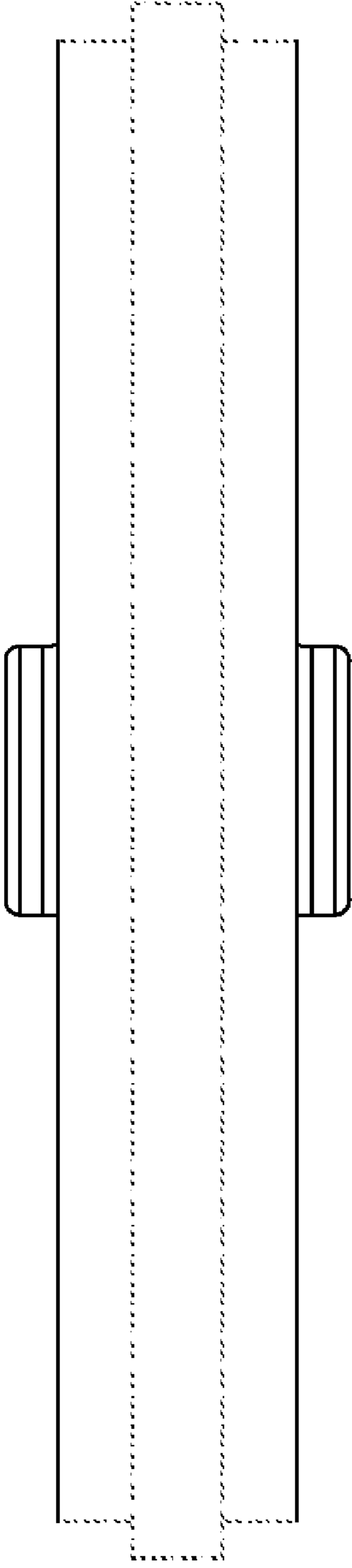


FIG-3

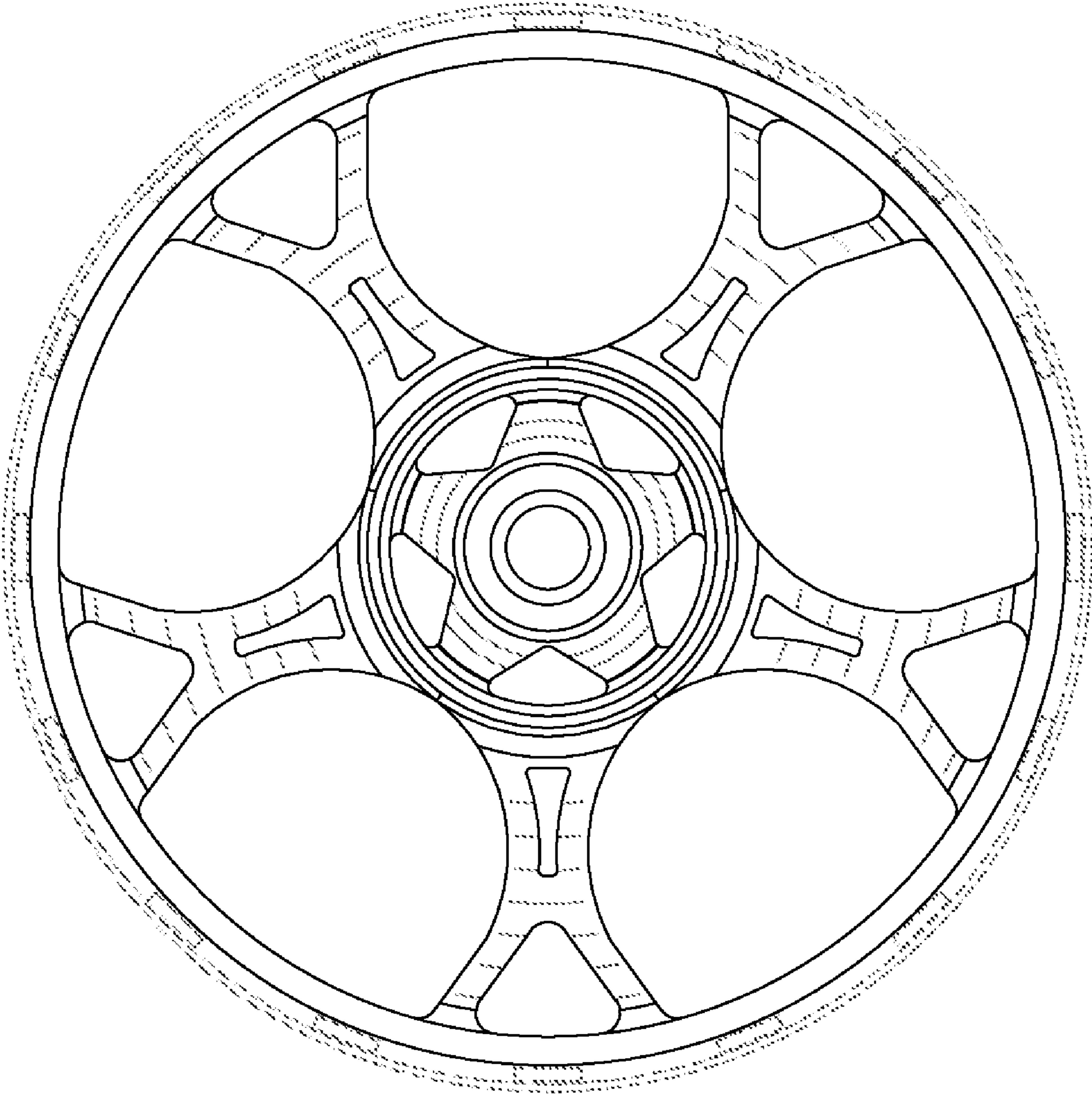


FIG-4

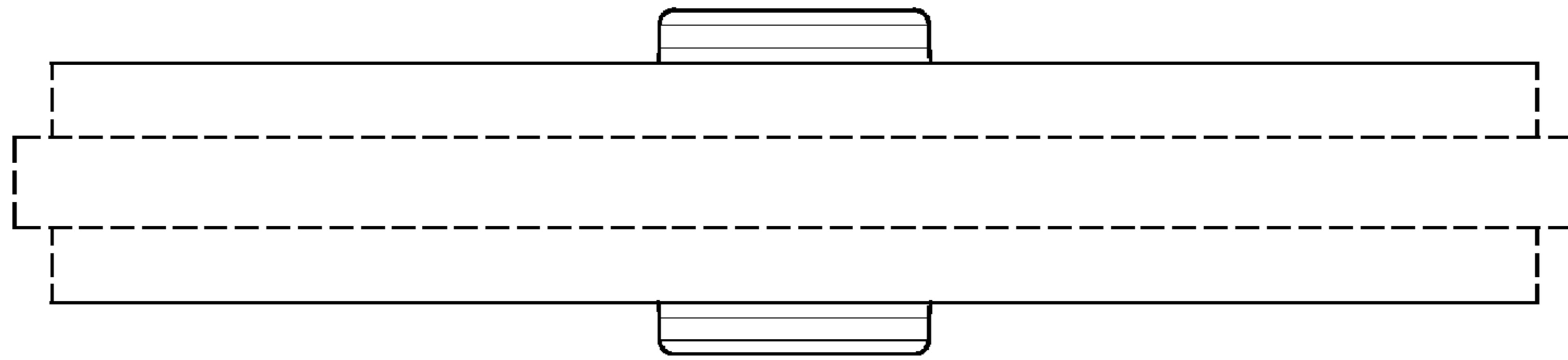


FIG-5

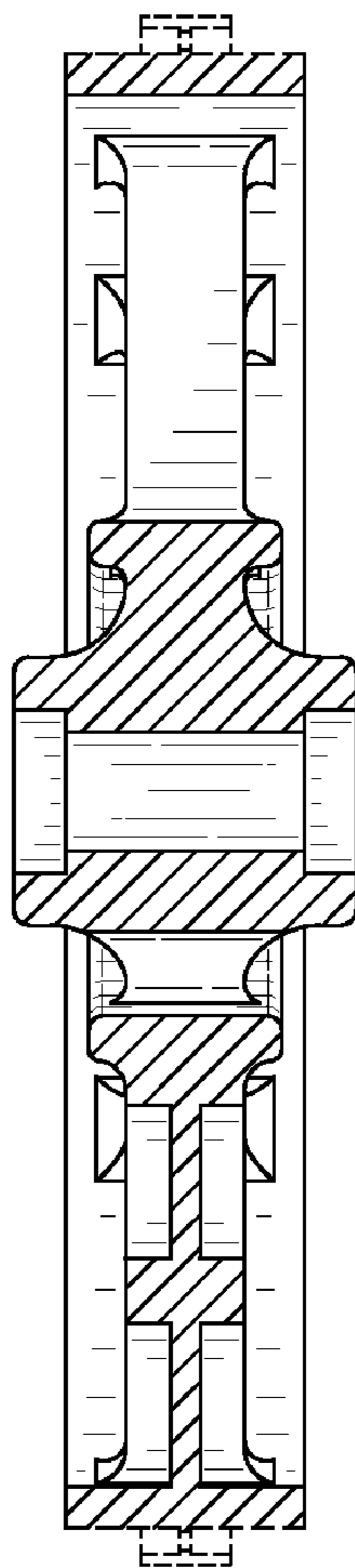


FIG-6