



US00D633844S

(12) **United States Design Patent**
Scolari et al.

(10) **Patent No.:** **US D633,844 S**
(45) **Date of Patent:** **** Mar. 8, 2011**

(54) **WHEEL**

(75) Inventors: **Nathan Anthony Scolari**, Greenville, SC (US); **Robert Wayne Lewis, Jr.**, Duncan, SC (US)

(73) Assignee: **Zike, LLC**, Greenville, SC (US)

(**) Term: **14 Years**

(21) Appl. No.: **29/368,552**

(22) Filed: **Aug. 25, 2010**

(51) **LOC (9) Cl.** **12-16**

(52) **U.S. Cl.** **D12/209**

(58) **Field of Classification Search** D12/204-213;
301/37.101, 64.101, 65, 64.201
See application file for complete search history.

(56) **References Cited**

U.S. PATENT DOCUMENTS

D419,127 S *	1/2000	Megugorac	D12/209
D426,803 S *	6/2000	Brown et al.	D12/209
D437,279 S *	2/2001	O'Connell	D12/211
D442,136 S *	5/2001	Provost	D12/209

D444,116 S *	6/2001	Liao	D12/209
D453,724 S *	2/2002	Hodges	D12/209
D454,326 S *	3/2002	Brown et al.	D12/209
D454,822 S *	3/2002	Leutz	D12/209
D493,132 S *	7/2004	Rivers et al.	D12/209
D572,184 S *	7/2008	Takigawa et al.	D12/209

* cited by examiner

Primary Examiner—Stacia Cadmus

(74) *Attorney, Agent, or Firm*—David L King

(57) **CLAIM**

The ornamental design for a wheel, as shown and described.

DESCRIPTION

FIG. 1 is a perspective view of a wheel showing our new, original and ornamental design;

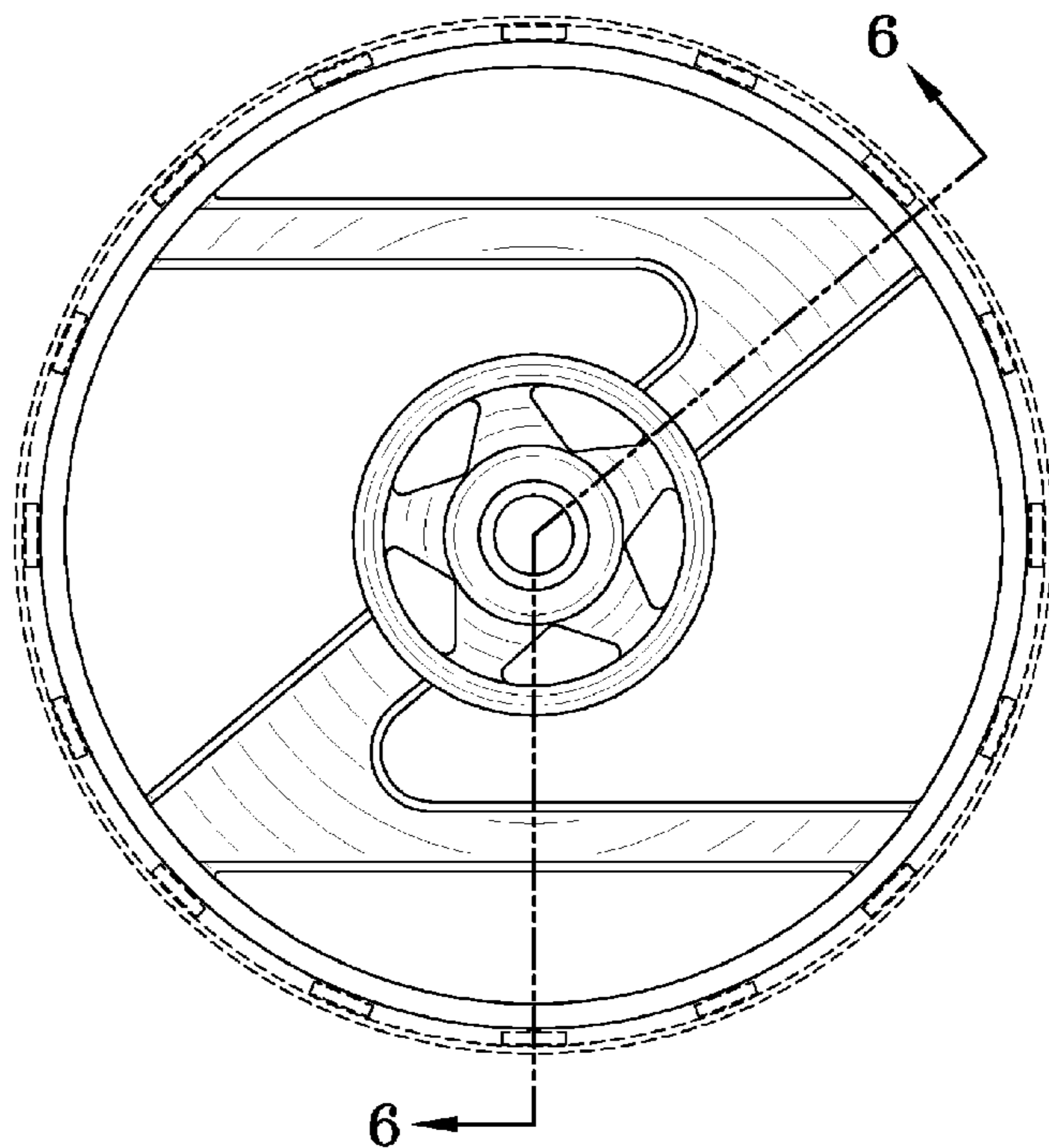
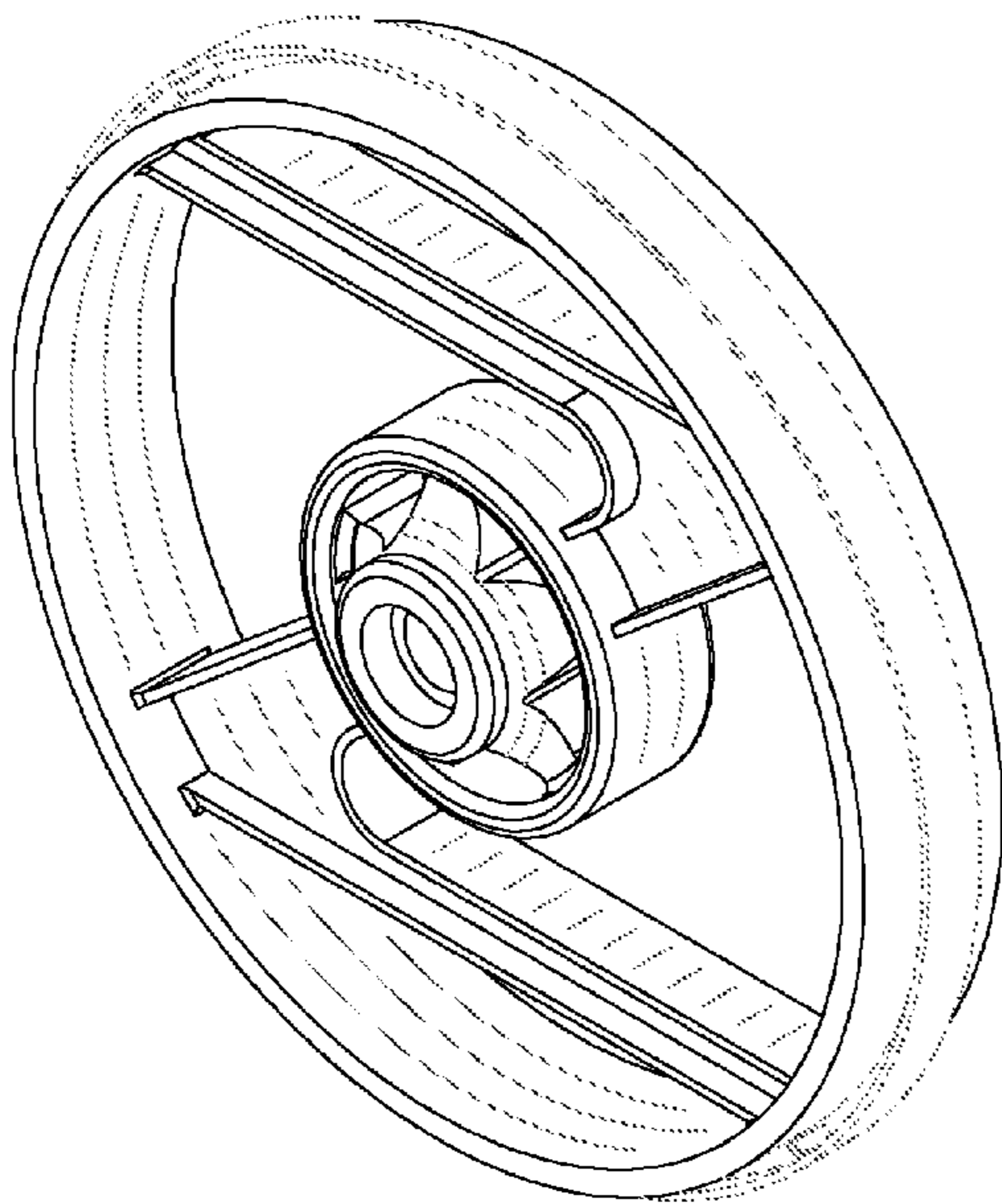
FIG. 2 is a front view thereof;

FIG. 3 is a side view thereof;

FIG. 4 is a rear view thereof; and,

FIG. 5 is a top view thereof.

1 Claim, 5 Drawing Sheets



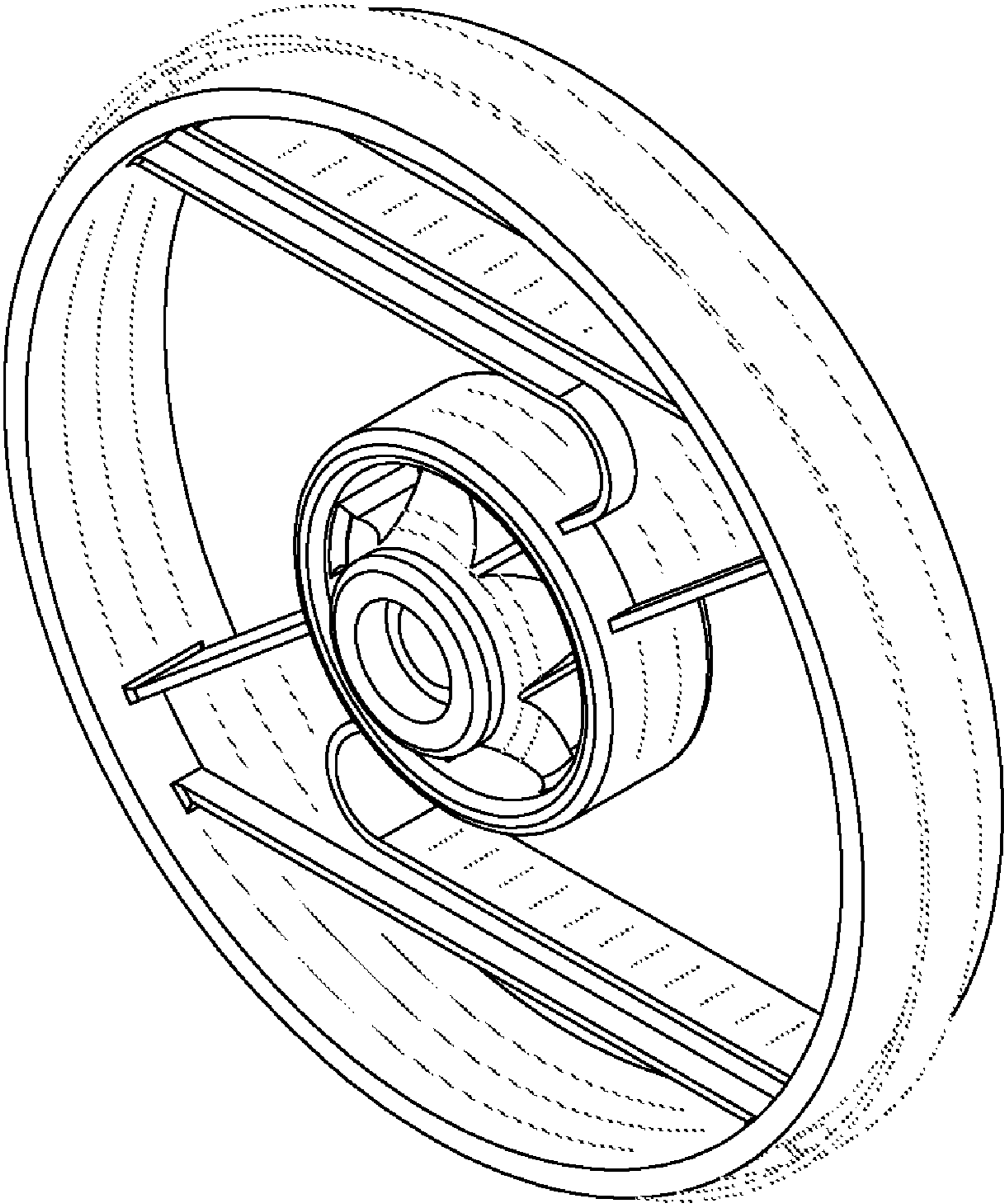


FIG-1

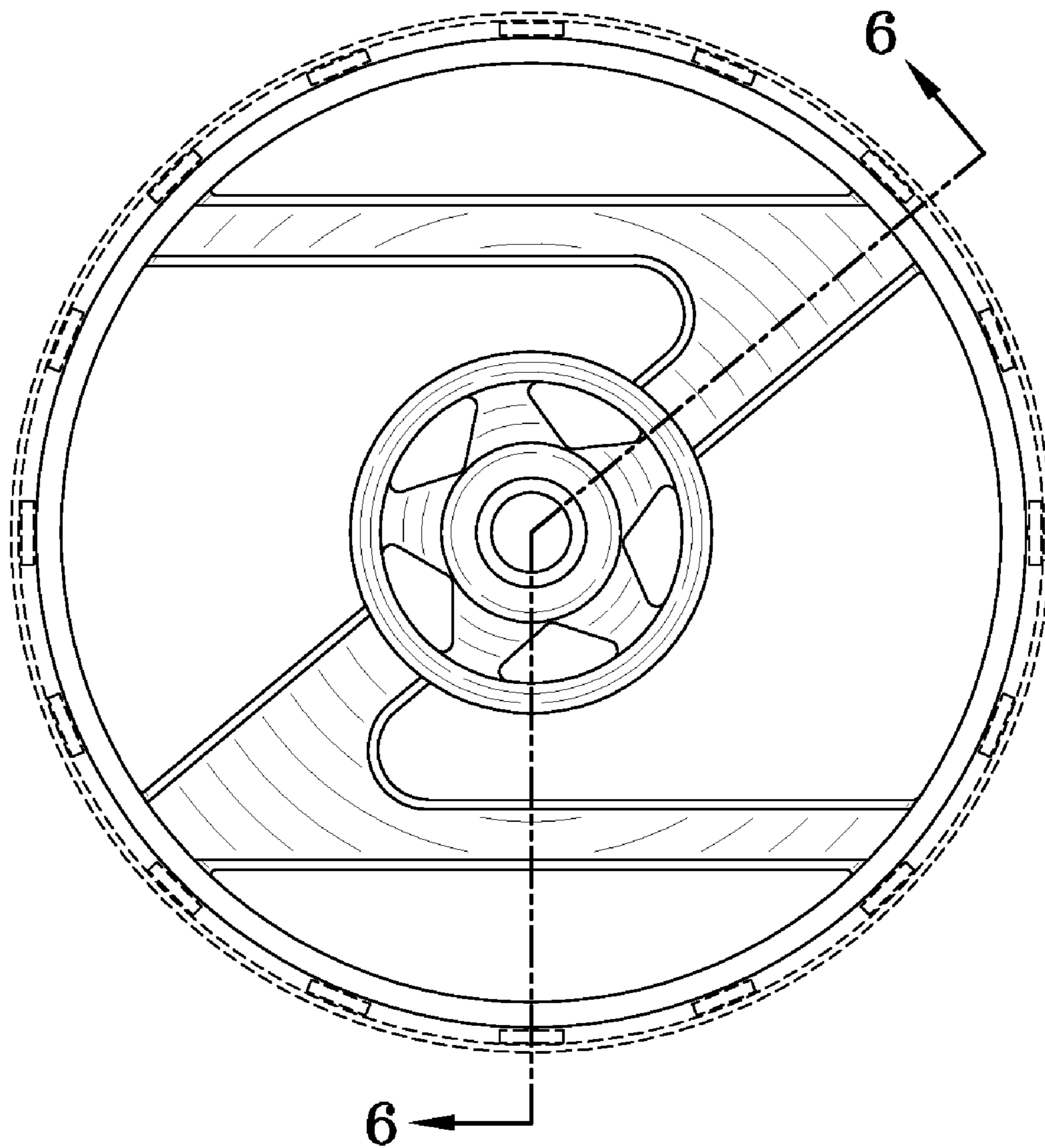


FIG-2

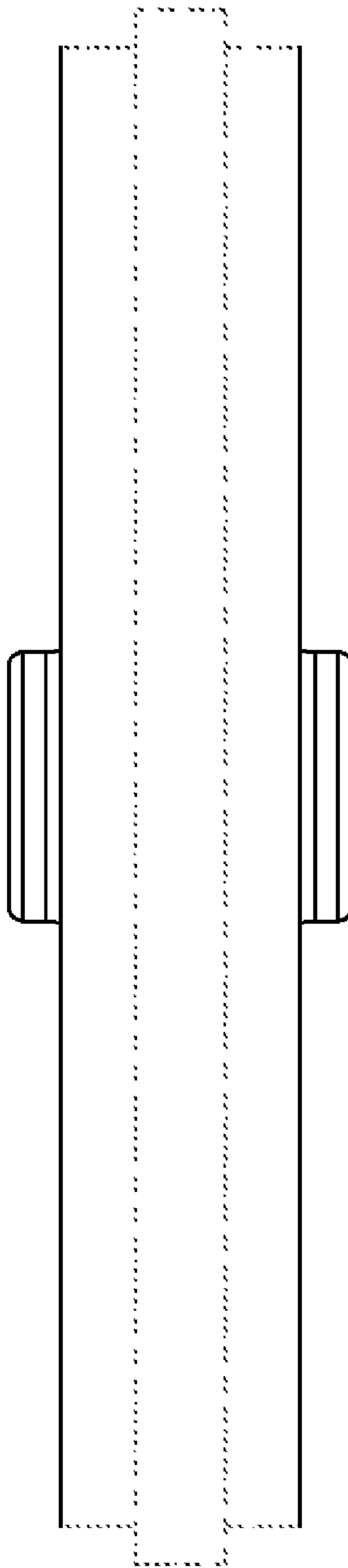


FIG-3

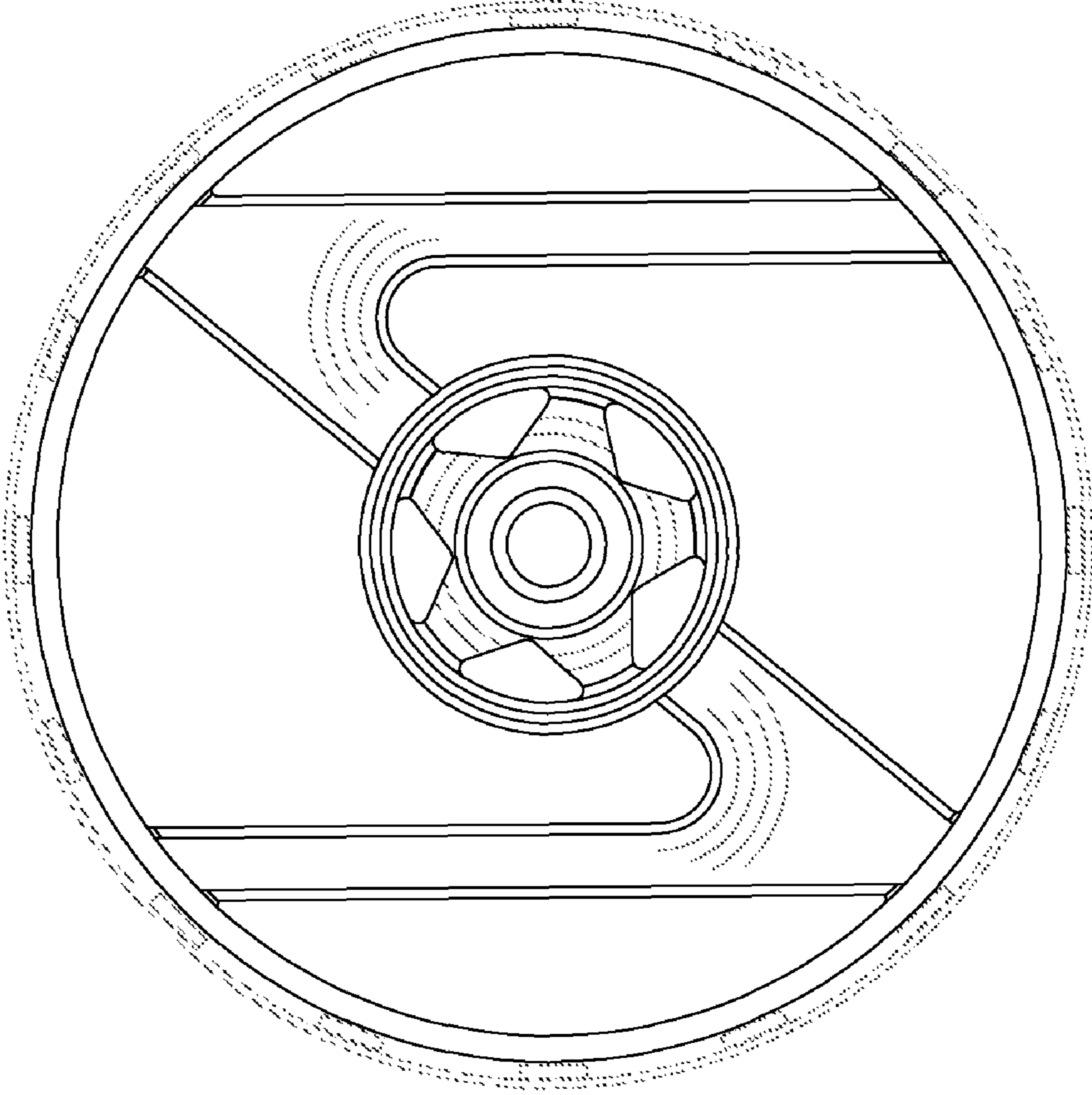


FIG-4

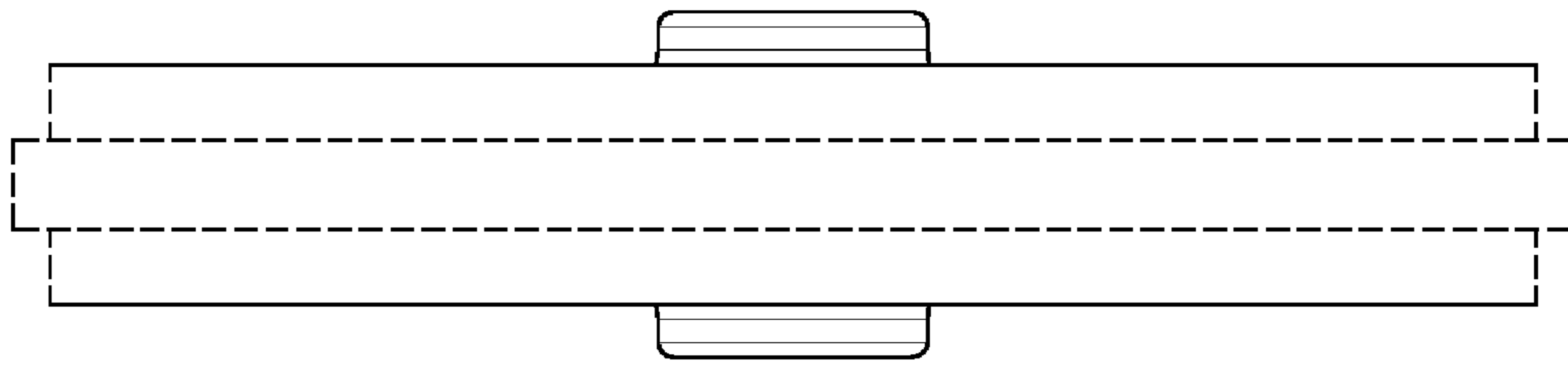


FIG-5