



US00D633843S

(12) **United States Design Patent**  
**Scolari et al.**

(10) **Patent No.:** **US D633,843 S**

(45) **Date of Patent:** **\*\* Mar. 8, 2011**

(54) **WHEEL**

(75) Inventors: **Nathan Anthony Scolari**, Greenville, SC (US); **Robert Wayne Lewis, Jr.**, Duncan, SC (US)

(73) Assignee: **Zike, LLC**, Greenville, SC (US)

(\*\*) Term: **14 Years**

(21) Appl. No.: **29/368,546**

(22) Filed: **Aug. 25, 2010**

(51) **LOC (9) Cl.** ..... **12-16**

(52) **U.S. Cl.** ..... **D12/209**

(58) **Field of Classification Search** ..... D12/204-213;  
301/37.101, 64.101, 65, 64.201  
See application file for complete search history.

(56) **References Cited**

**U.S. PATENT DOCUMENTS**

D364,843 S \* 12/1995 Hale, Jr. .... D12/209  
D385,838 S \* 11/1997 Cullen ..... D12/209  
D493,402 S \* 7/2004 Francis ..... D12/209

D497,138 S \* 10/2004 Anderson et al. .... D12/209  
D519,432 S \* 4/2006 Long ..... D12/209  
D556,665 S \* 12/2007 Amadio et al. .... D12/209

\* cited by examiner

*Primary Examiner*—Stacia Cadmus

(74) *Attorney, Agent, or Firm*—David L King

(57) **CLAIM**

The ornamental design for a wheel, as shown and described.

**DESCRIPTION**

FIG. 1 is a perspective view of a wheel showing our new, original and ornamental design;

FIG. 2 is a front view thereof;

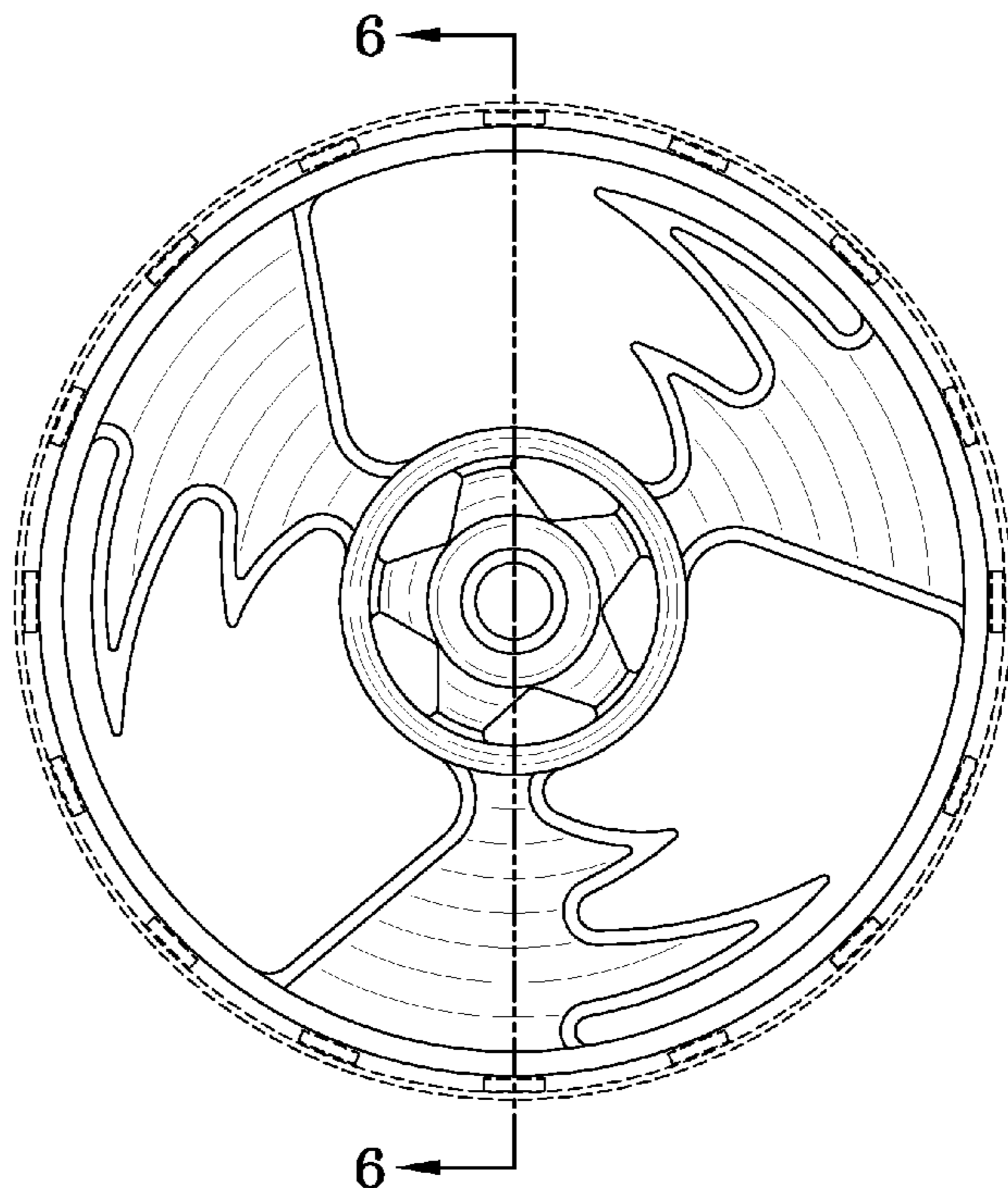
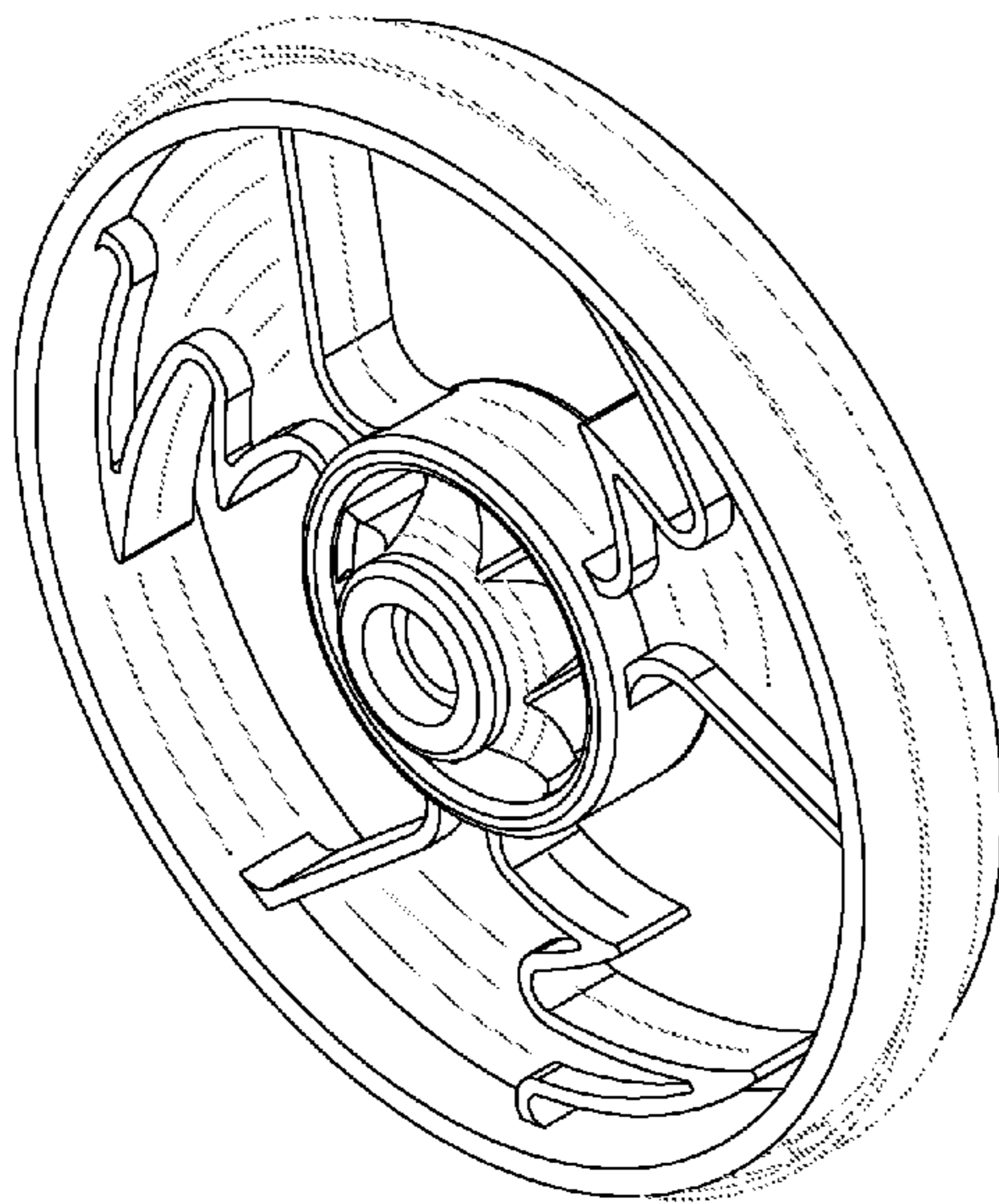
FIG. 3 is a side view thereof;

FIG. 4 is a rear view thereof; and,

FIG. 5 is a top view thereof.

The structure shown in phantom is for illustrative purposes only and forms no part of the claimed design.

**1 Claim, 5 Drawing Sheets**



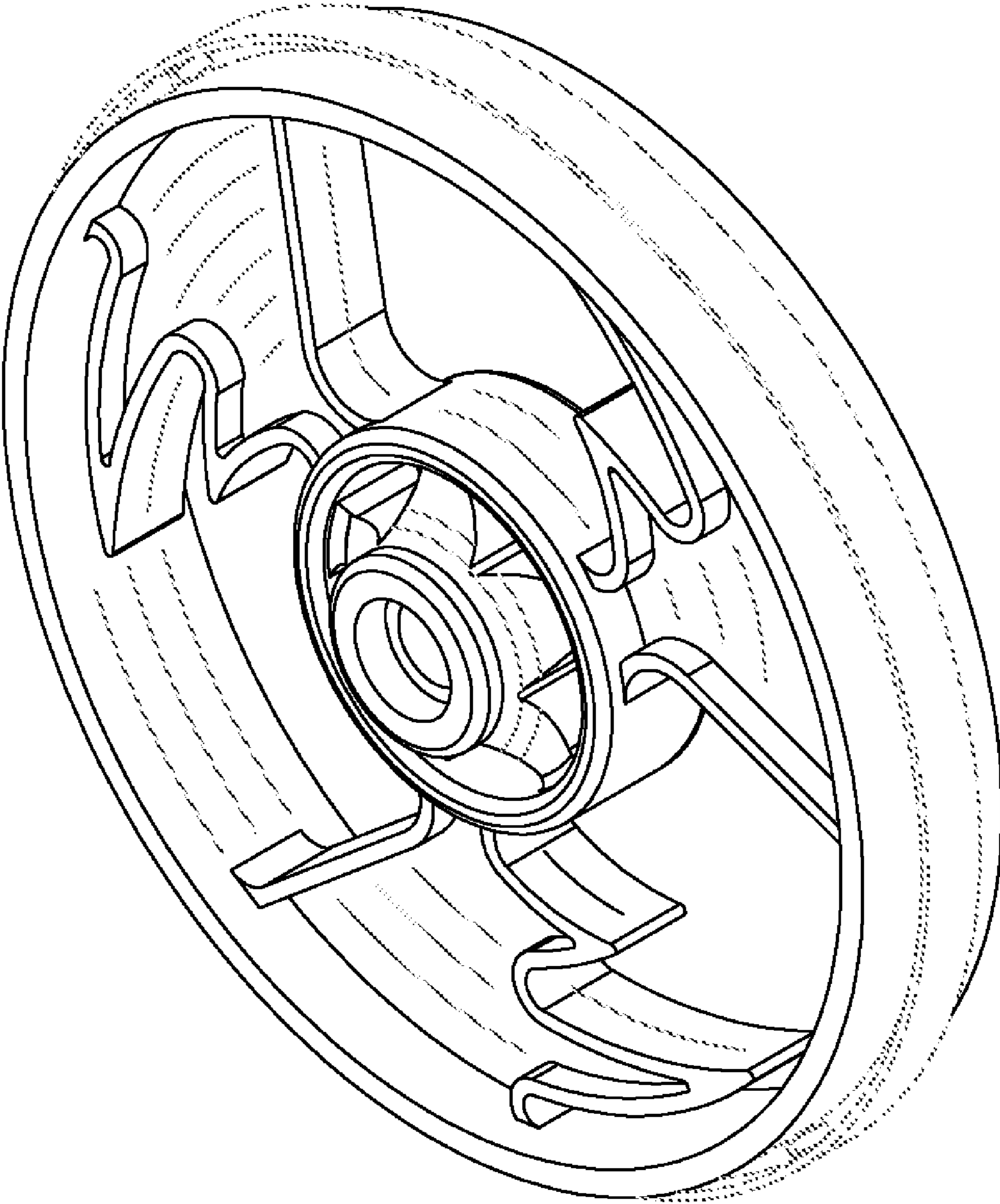


FIG-1

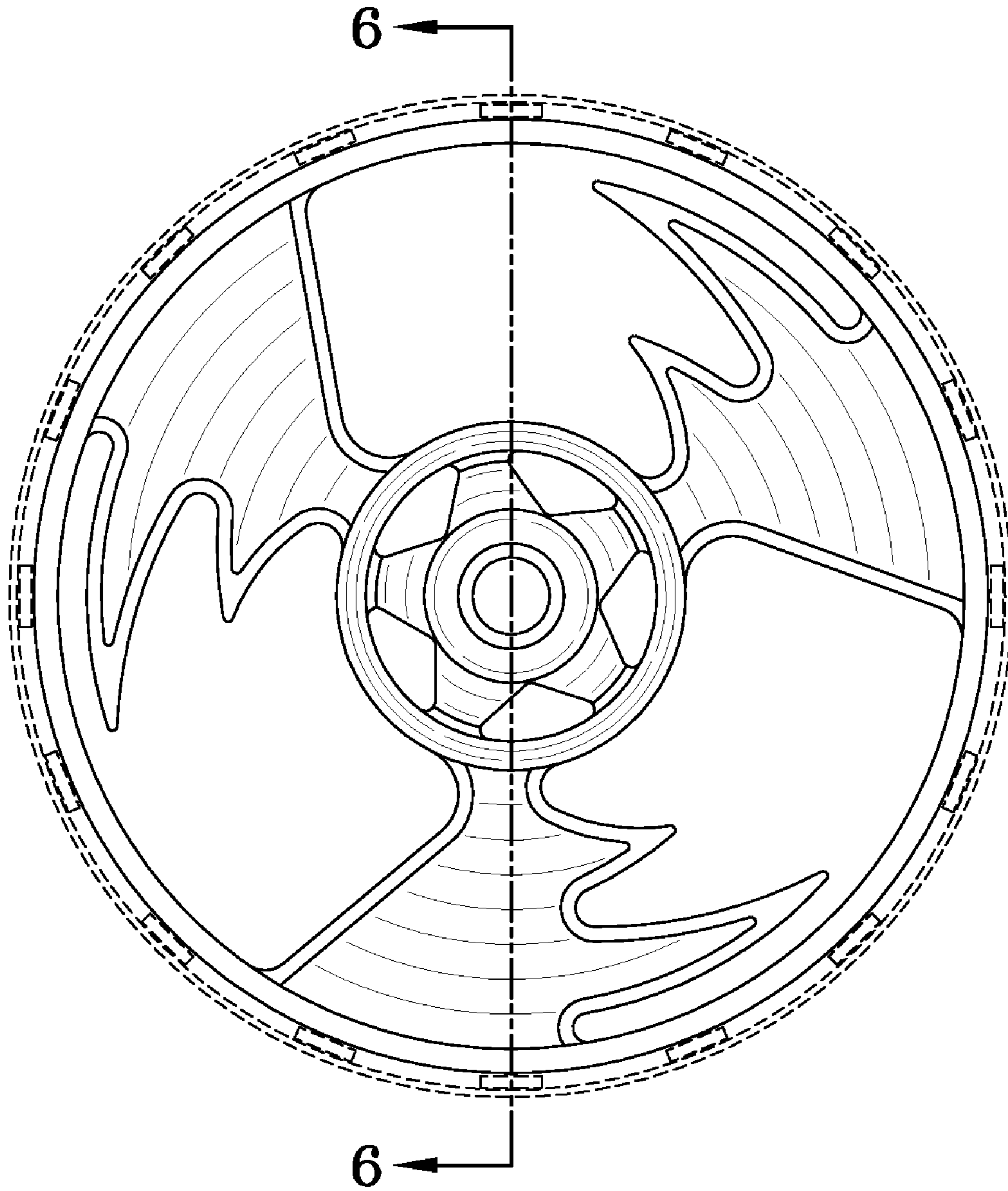


FIG-2

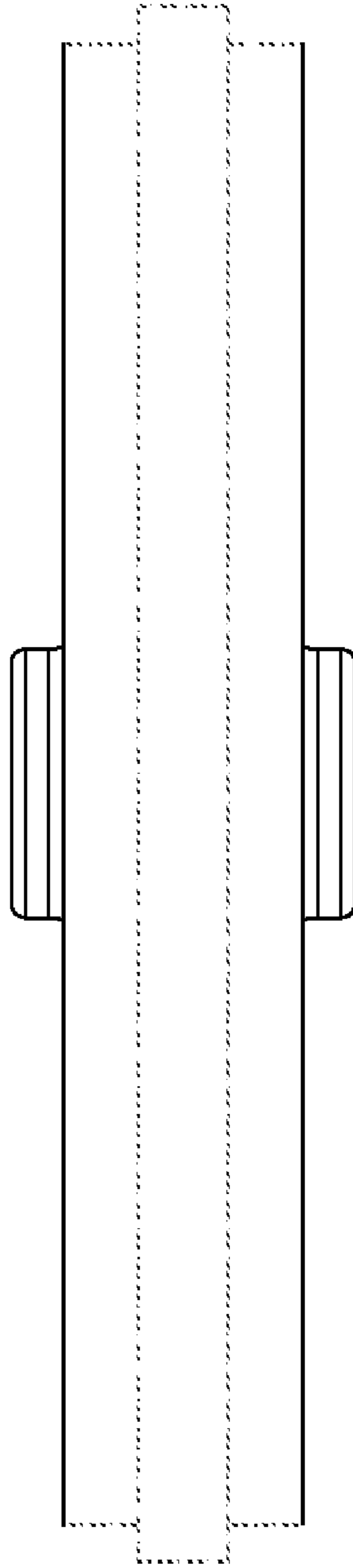


FIG-3

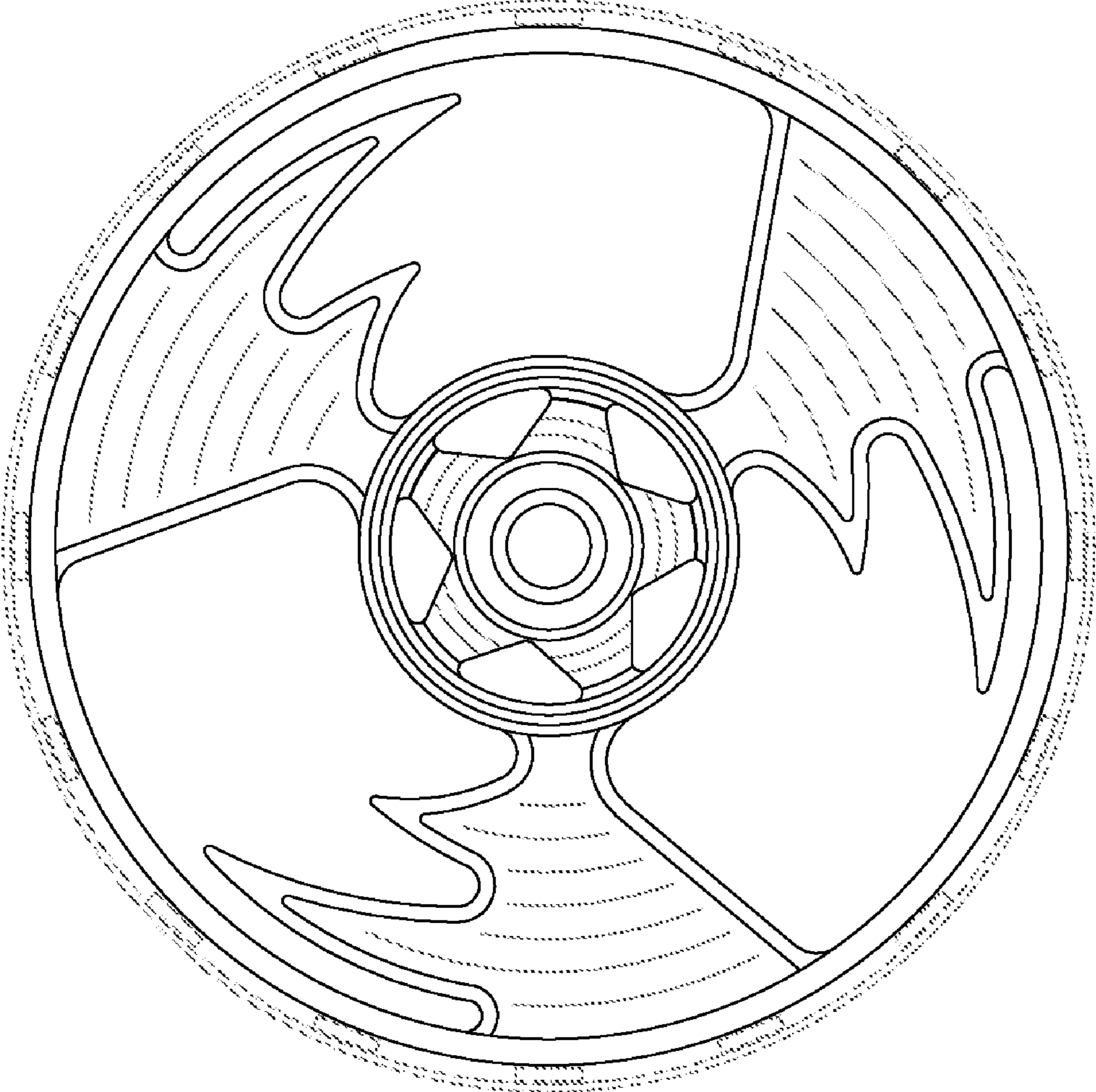


FIG-4

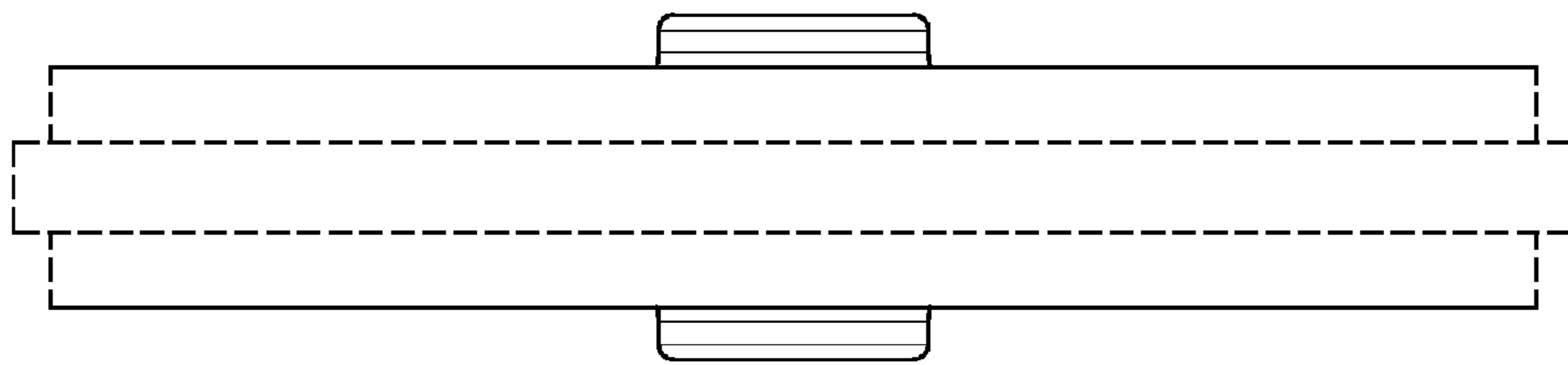


FIG-5