



US00D633842S

(12) **United States Design Patent**
Scolari et al.

(10) **Patent No.:** **US D633,842 S**

(45) **Date of Patent:** **** Mar. 8, 2011**

(54) **WHEEL**

(75) Inventors: **Nathan Anthony Scolari**, Greenville, SC (US); **Robert Wayne Lewis, Jr.**, Duncan, SC (US)

(73) Assignee: **Zike, LLC**, Greenville, SC (US)

(**) Term: **14 Years**

(21) Appl. No.: **29/368,544**

(22) Filed: **Aug. 25, 2010**

(51) **LOC (9) Cl.** **12-16**

(52) **U.S. Cl.** **D12/209**

(58) **Field of Classification Search** D12/204–213;
301/37.101, 64.101, 65, 64.201
See application file for complete search history.

(56) **References Cited**

U.S. PATENT DOCUMENTS

D300,422 S *	3/1989	Schinella	D12/209
D364,844 S *	12/1995	Chien	D12/209
D372,697 S *	8/1996	Echazabal et al.	D12/209
D378,506 S *	3/1997	Stolz et al.	D12/209
D398,273 S *	9/1998	Suprihanto	D12/209
D406,091 S *	2/1999	Nishida	D12/209
D421,941 S *	3/2000	Cheng	D12/501

D453,723 S *	2/2002	Kokubu	D12/209
D454,493 S *	3/2002	Chung	D9/423
D454,822 S *	3/2002	Leutz	D12/209
D520,430 S *	5/2006	Lindsay	D12/209
D539,719 S *	4/2007	Aoki	D12/209
D546,260 S *	7/2007	Aoki	D12/209
D584,209 S *	1/2009	Klimas	D12/209

* cited by examiner

Primary Examiner—Stacia Cadmus

(74) *Attorney, Agent, or Firm*—David L King

(57) **CLAIM**

The ornamental design for a wheel, as shown and described.

DESCRIPTION

FIG. 1 is a perspective view of a wheel showing our new, original and ornamental design;

FIG. 2 is a front view thereof;

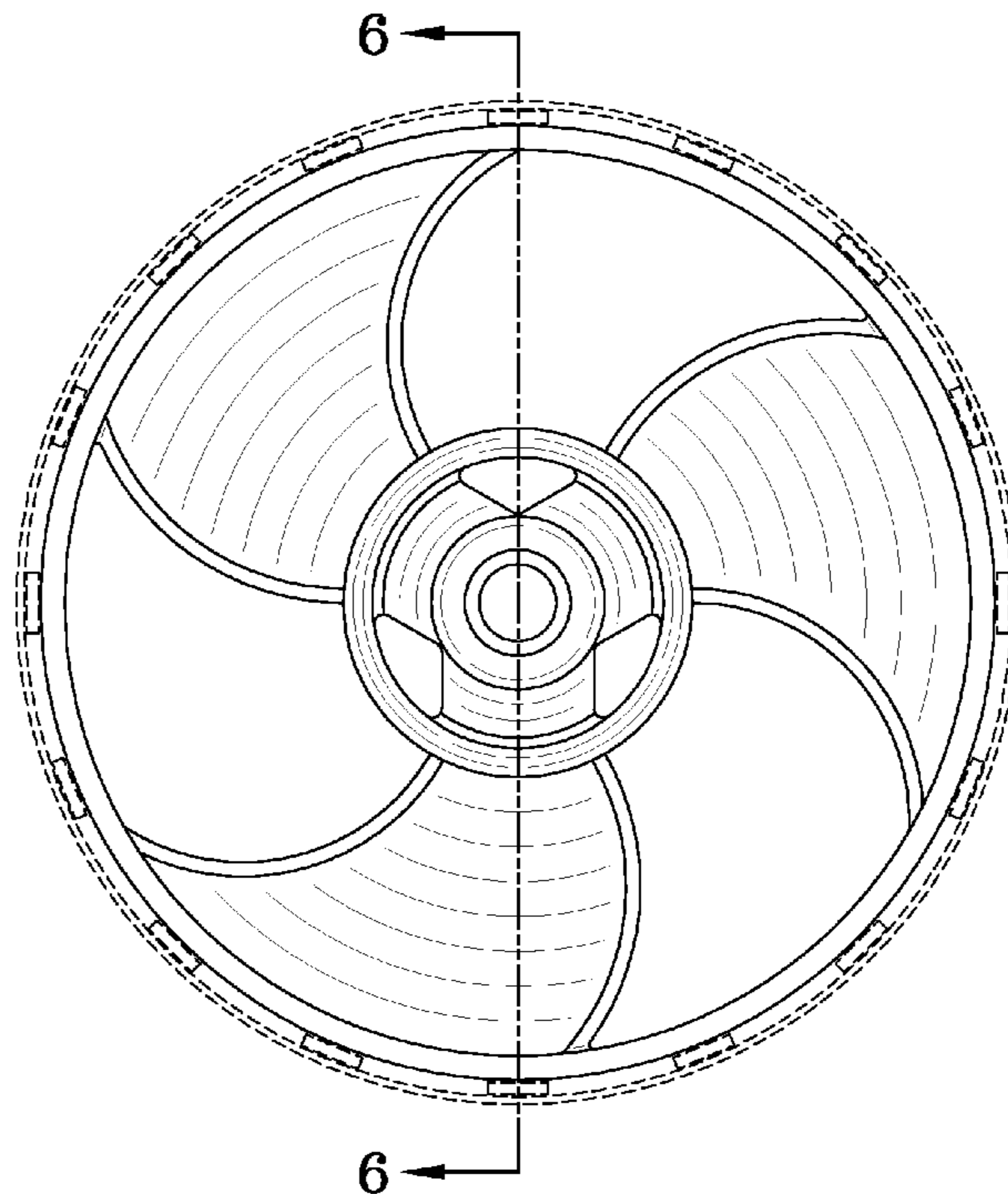
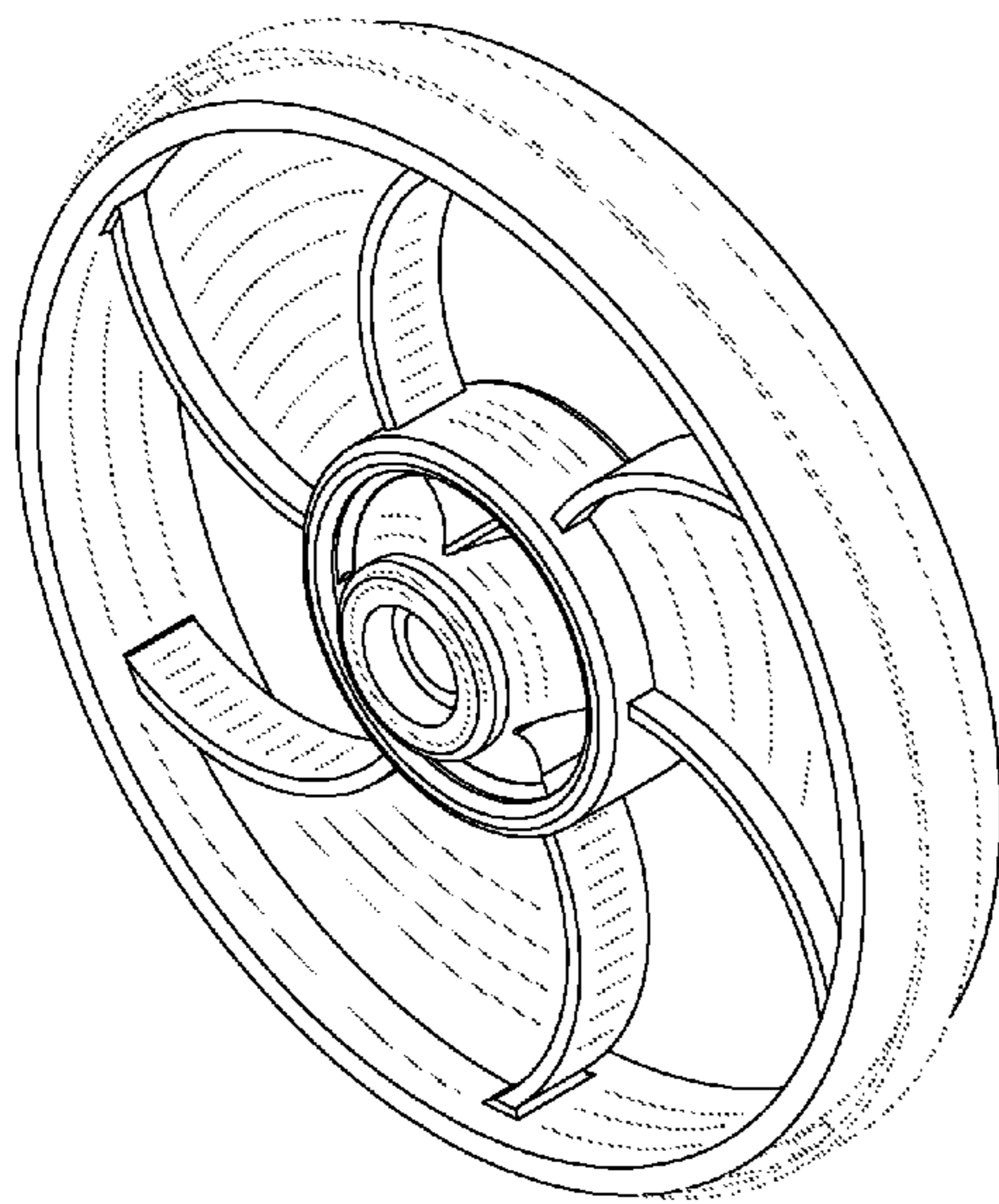
FIG. 3 is a side view thereof;

FIG. 4 is a rear view thereof;

FIG. 5 is a top view thereof; and,

FIG. 6 is a cross sectional view taken along line 6—6 in FIG. 2.

1 Claim, 5 Drawing Sheets



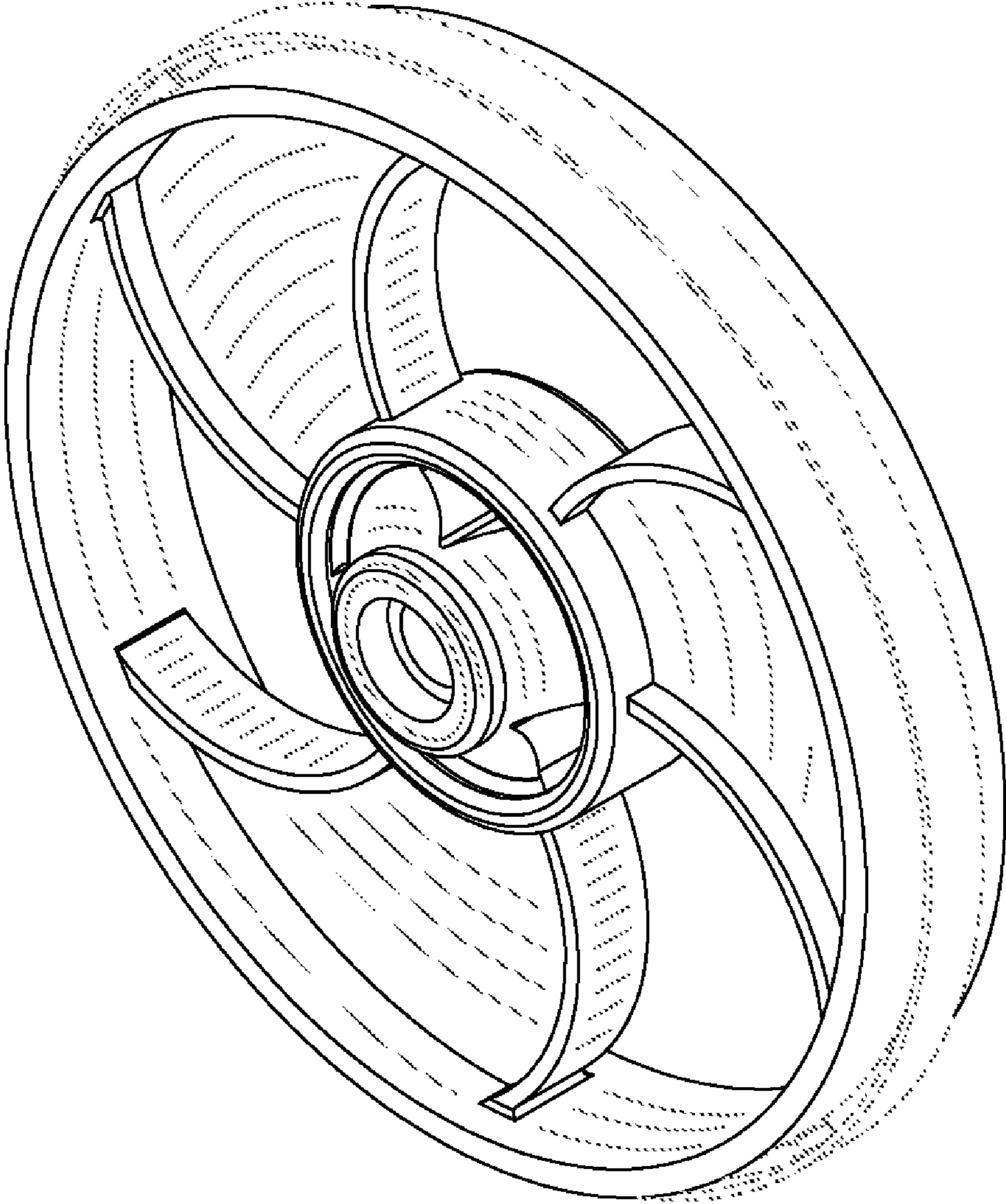


FIG-1

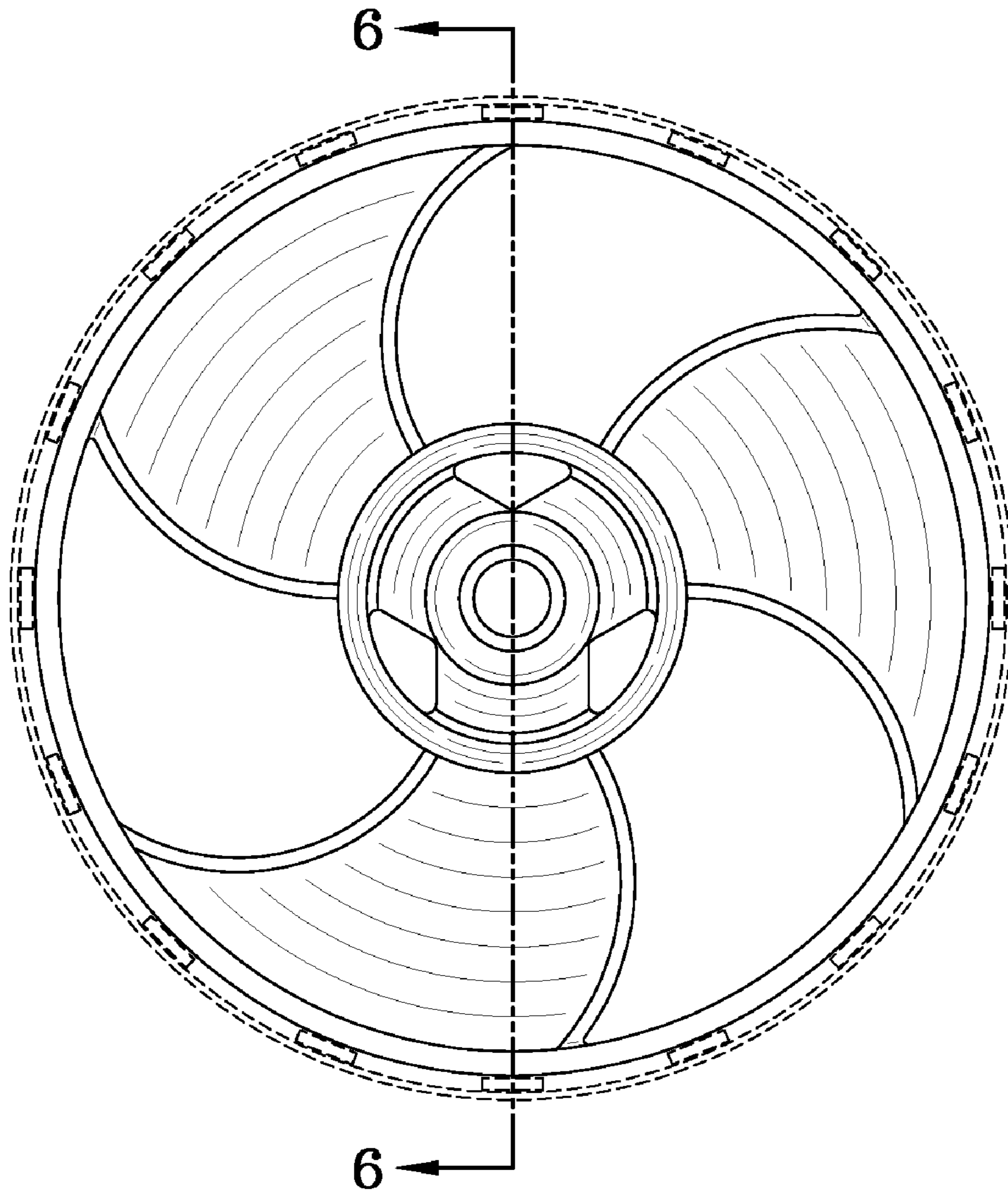


FIG-2

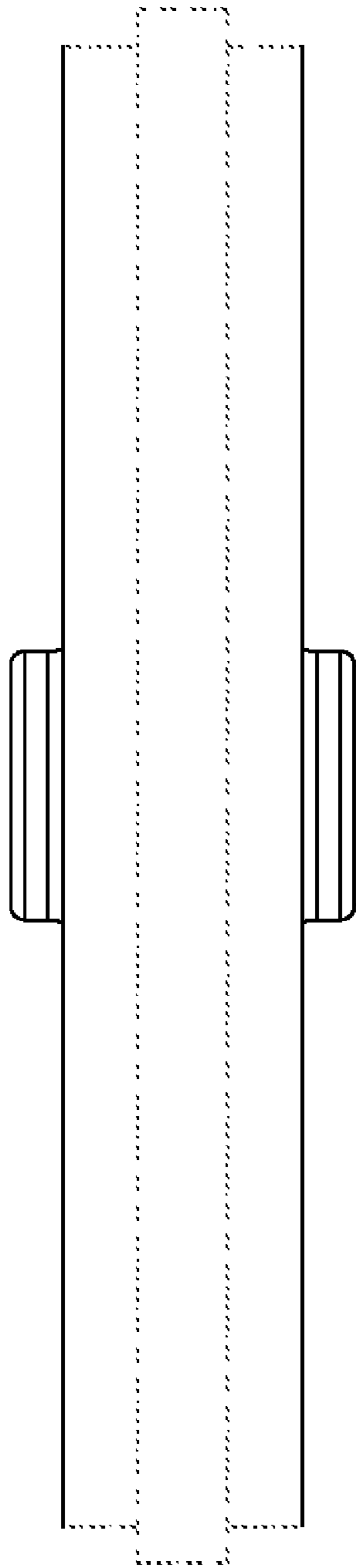


FIG-3

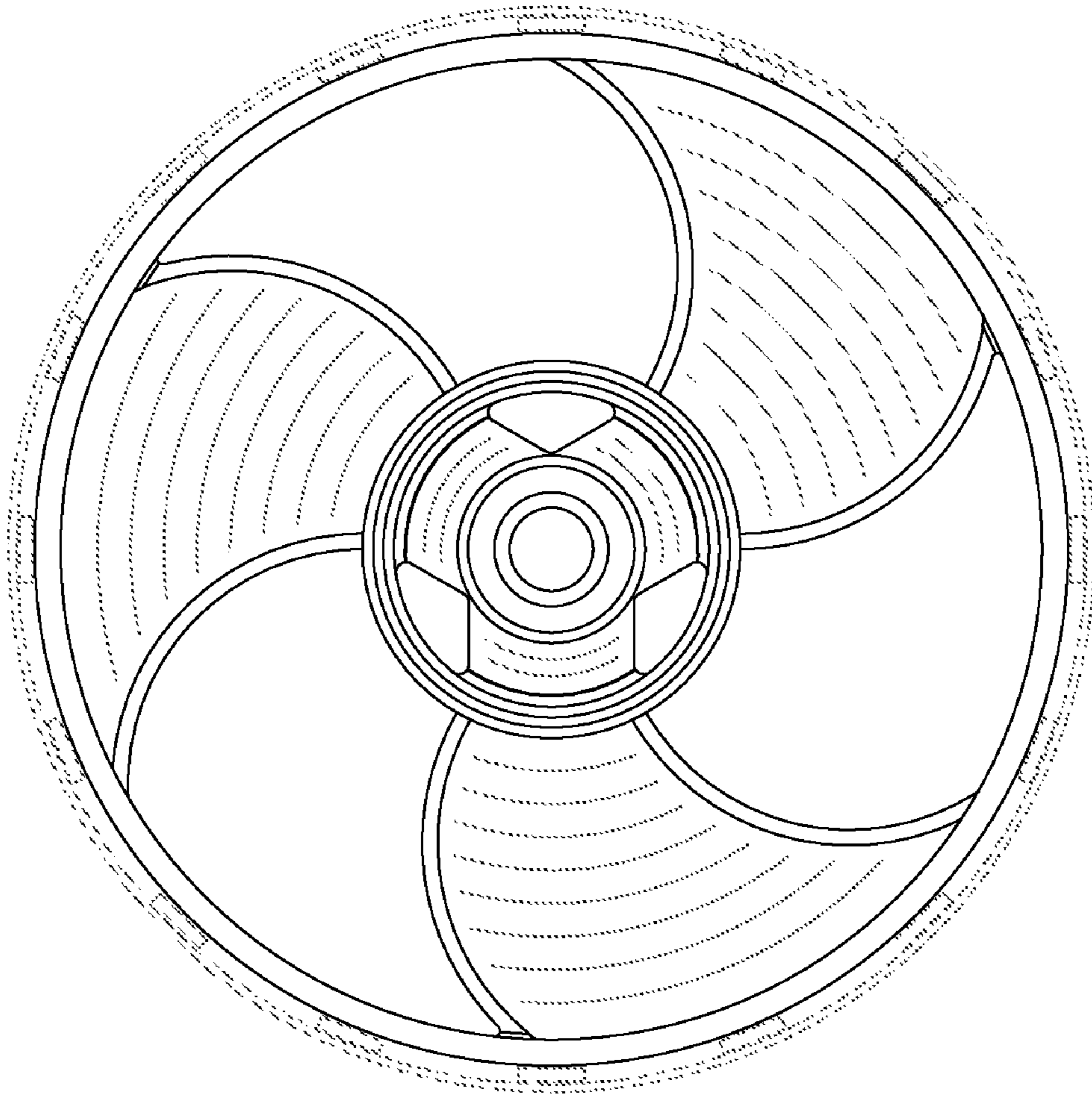


FIG-4

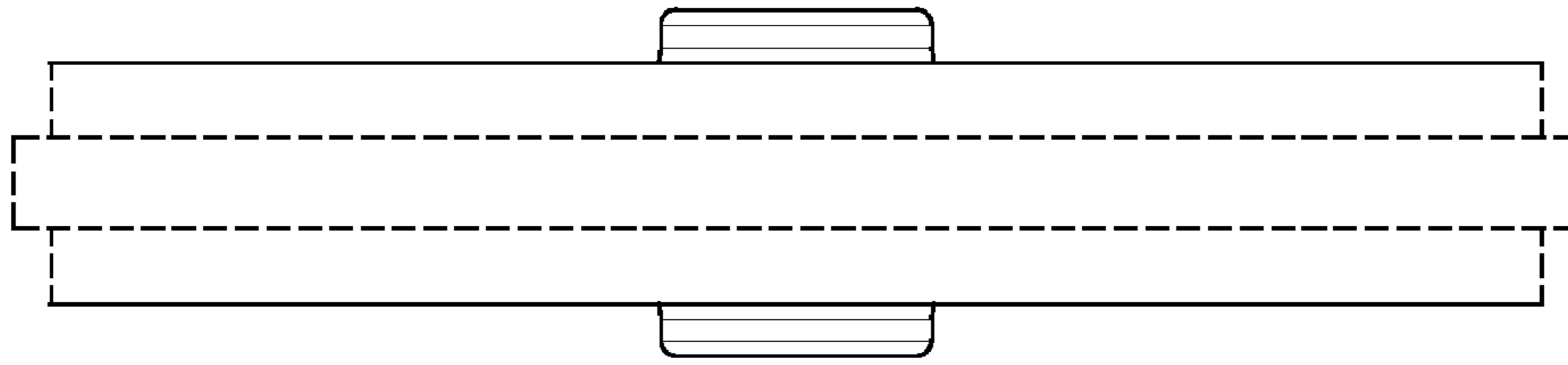


FIG-5

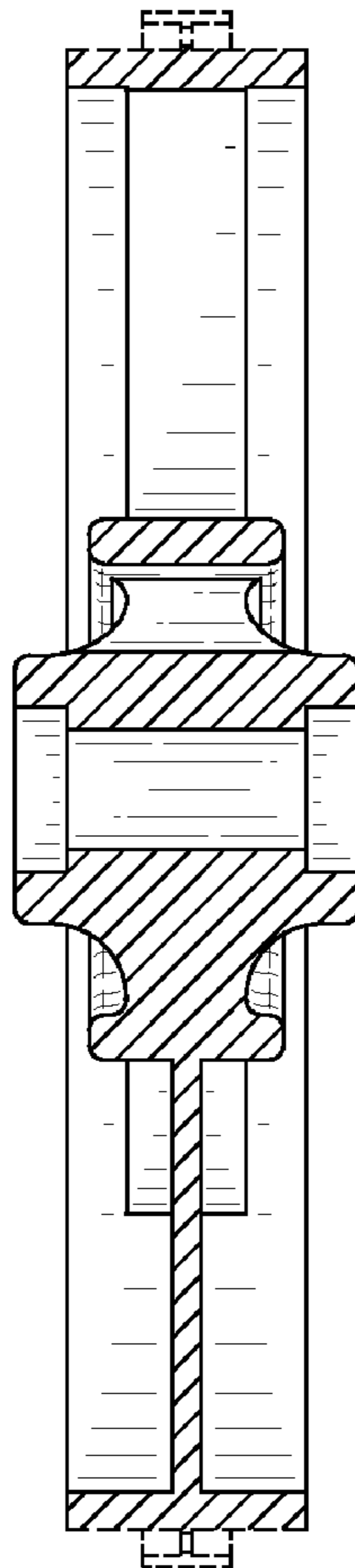


FIG-6