



US00D633840S

(12) **United States Design Patent**
Johnson

(10) **Patent No.:** **US D633,840 S**

(45) **Date of Patent:** **** Mar. 8, 2011**

(54) **AUTOMOTIVE WHEEL**

(75) Inventor: **Kelly Johnson**, Placentia, CA (US)

(73) Assignee: **MKW Alloy Inc**, City of Industry, CA (US)

(**) Term: **14 Years**

(21) Appl. No.: **29/350,787**

(22) Filed: **Nov. 23, 2009**

(51) **LOC (9) Cl.** **12-16**

(52) **U.S. Cl.** **D12/209**

(58) **Field of Classification Search** D12/204-213;
301/37.101, 64.101, 65, 64.201
See application file for complete search history.

(56) **References Cited**

U.S. PATENT DOCUMENTS

D413,853 S *	9/1999	Hale, Jr.	D12/211
D456,332 S *	4/2002	Vian	D12/211
D487,420 S *	3/2004	Kang	D12/211
D539,722 S *	4/2007	Pfeiffer	D12/211

D543,922 S *	6/2007	Young	D12/209
D552,524 S *	10/2007	Tirado	D12/209
D560,589 S *	1/2008	Celik	D12/211
D576,095 S *	9/2008	Chung	D12/211
D585,009 S *	1/2009	Rak	D12/211
D591,663 S *	5/2009	Chung	D12/211
D593,021 S *	5/2009	Chung	D12/211
D595,202 S *	6/2009	Spoerle	D12/211
D596,099 S *	7/2009	Chung	D12/209
D604,683 S *	11/2009	Hosai	D12/209

* cited by examiner

Primary Examiner—Stacia Cadmus

(74) *Attorney, Agent, or Firm*—MKW Alloy Inc; Kevin Lee

(57) **CLAIM**

The ornamental design for an automotive wheel, as shown and described.

DESCRIPTION

FIG. 1 is a front view of an automotive wheel, showing my new design; and,

FIG. 2 is a perspective view thereof.

1 Claim, 2 Drawing Sheets

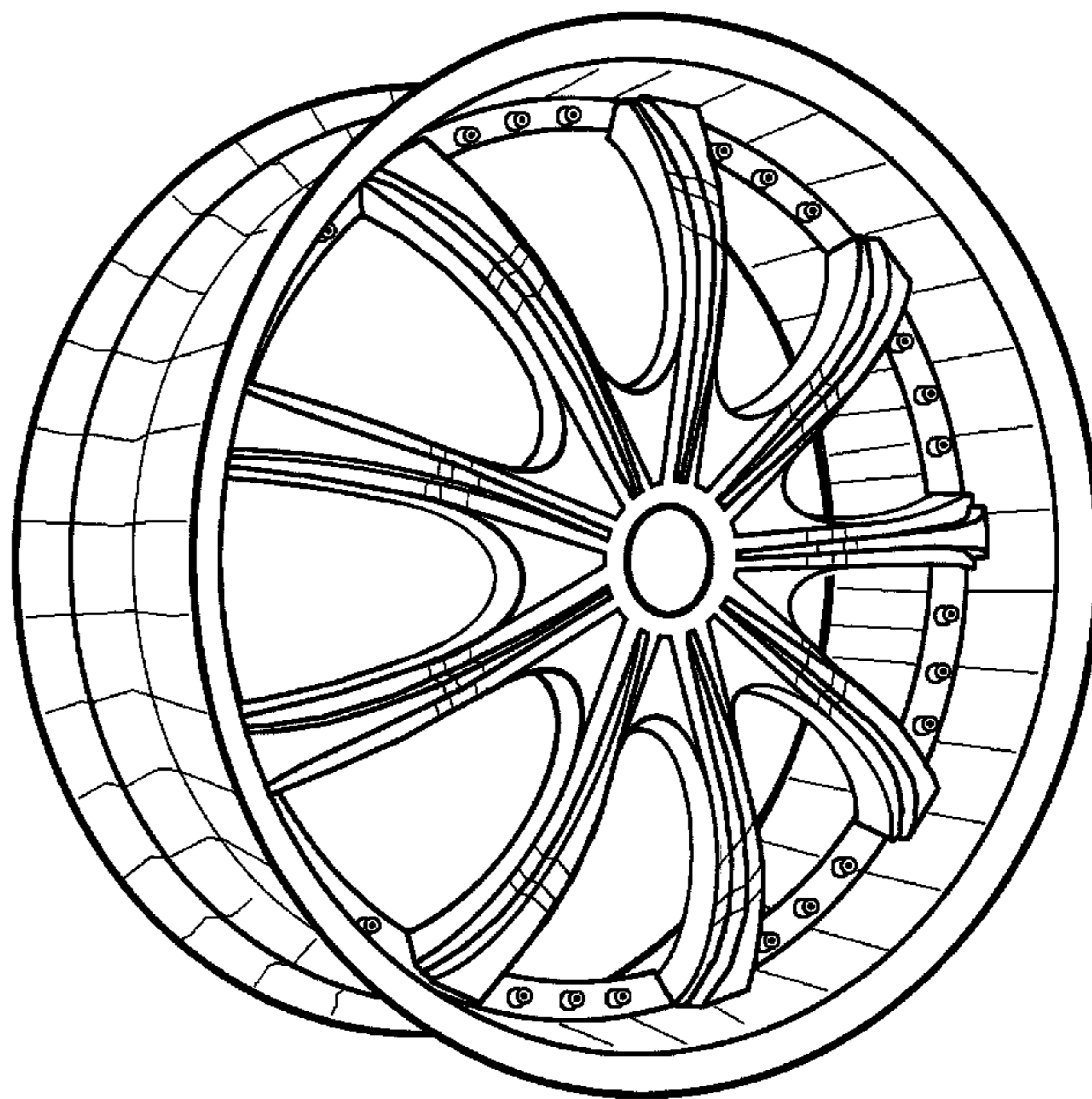
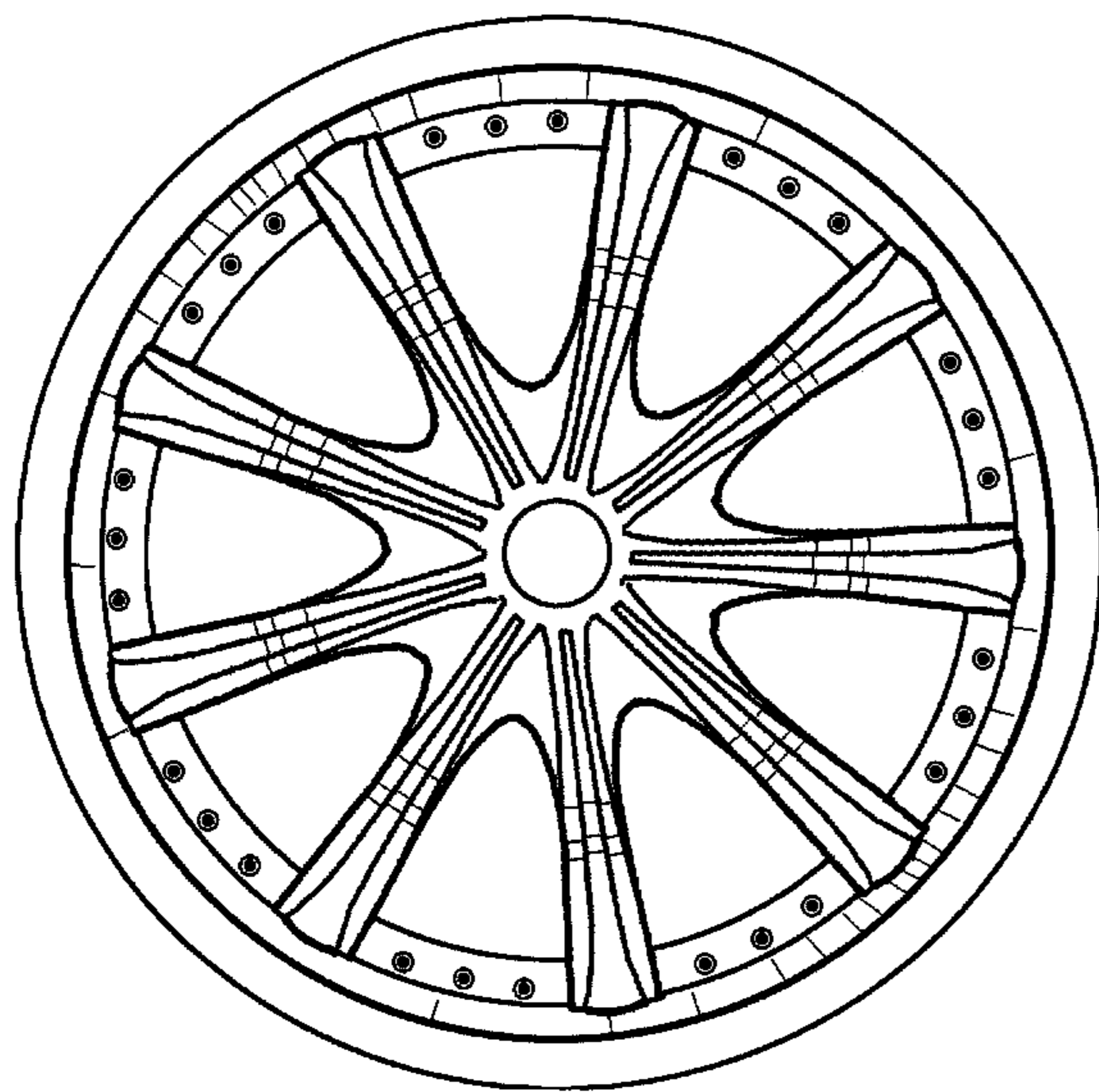
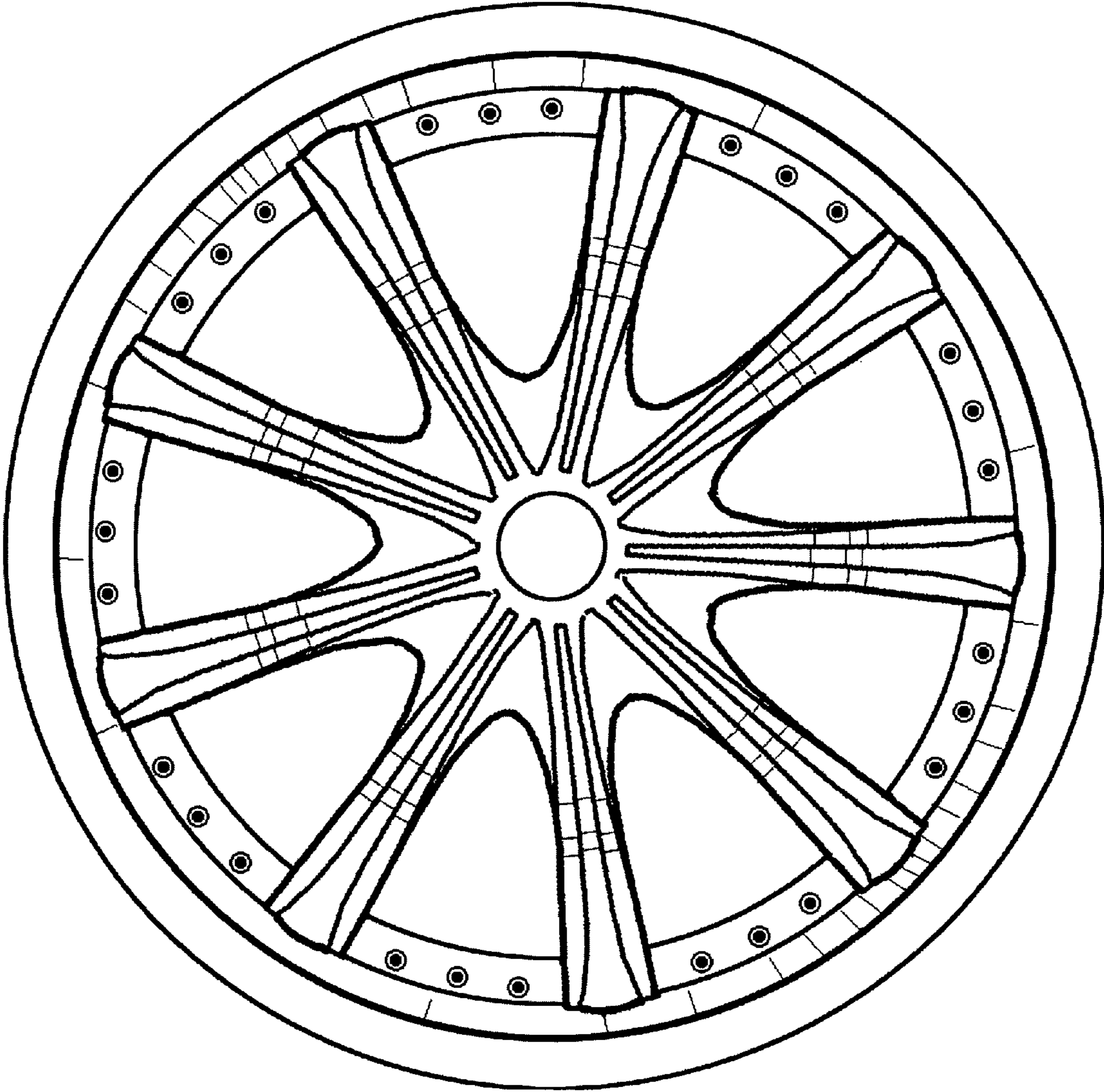


FIGURE 1



FIRGURE 2

