



US00D633835S

(12) **United States Design Patent**
Frank et al.

(10) **Patent No.:** **US D633,835 S**
(45) **Date of Patent:** **** Mar. 8, 2011**

(54) **STEERING WHEEL**

(75) Inventors: **Andreas Frank**, Weil der Stadt (DE);
Hans-Dieter Futschik, Gechingen (DE);
Hartmut Sinkwitz, Heimsheim (DE);
Gorden Wagener, Stuttgart (DE);
Hans-Peter Wunderlich, Waiblingen (DE)

(73) Assignee: **Daimler AG**, Stuttgart (DE)

(**) Term: **14 Years**

(21) Appl. No.: **29/311,097**

(22) Filed: **Dec. 22, 2008**

(30) **Foreign Application Priority Data**

Jun. 23, 2008 (EM) 000955794-0001
Jun. 23, 2008 (EM) 000955794-0002
Jun. 23, 2008 (EM) 000955794-0003

(51) **LOC (9) Cl.** **12-16**

(52) **U.S. Cl.** **D12/176**

(58) **Field of Classification Search** D12/175,
D12/176; 74/552, 558, 558.5
See application file for complete search history.

(56) **References Cited**

U.S. PATENT DOCUMENTS

D267,248 S * 12/1982 Potet D12/176

D312,435 S * 11/1990 Funabashi et al. D12/176
D356,765 S * 3/1995 DiMatteo D12/176
D442,129 S * 5/2001 Schmitt D12/176
D521,914 S * 5/2006 Pfeiffer D12/176
D564,952 S * 3/2008 Shinshima et al. D12/176
D564,953 S * 3/2008 Tanaka D12/176
D571,697 S * 6/2008 Maeda et al. D12/176

* cited by examiner

Primary Examiner—Melody N Brown

(74) *Attorney, Agent, or Firm*—Crowell & Moring LLP

(57) **CLAIM**

The ornamental design for a steering wheel, as shown and described.

DESCRIPTION

FIG. 1 is a left perspective view of a steering wheel according to our novel design, the right perspective view being mirror symmetrical;

FIG. 2 is a front view thereof;

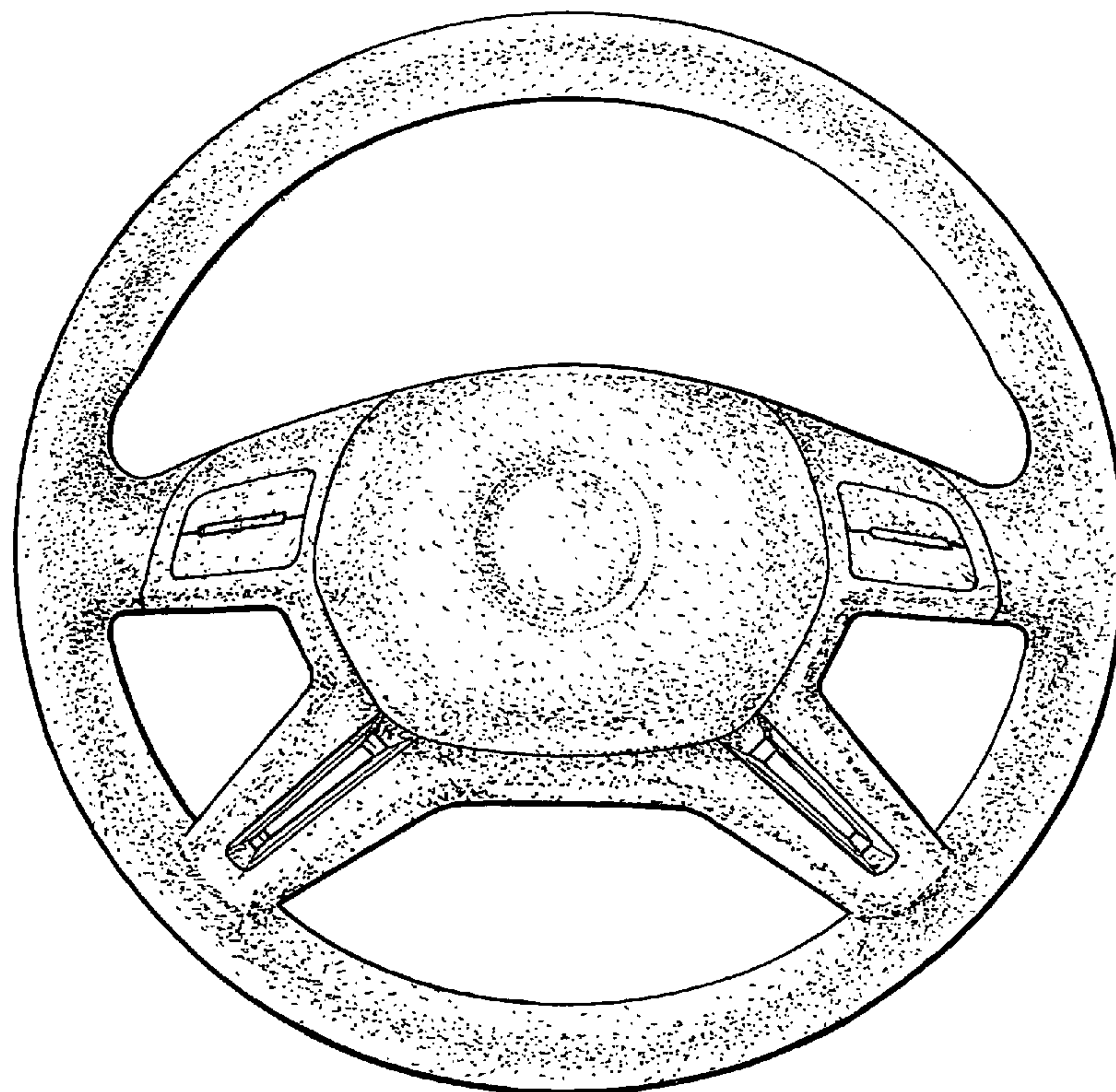
FIG. 3 is a right side view thereof, the left side view being mirror symmetrical;

FIG. 4 is a top view thereof; and,

FIG. 5 is a bottom view thereof.

The broken lines which define the bounds of the claimed design form no part thereof.

1 Claim, 2 Drawing Sheets



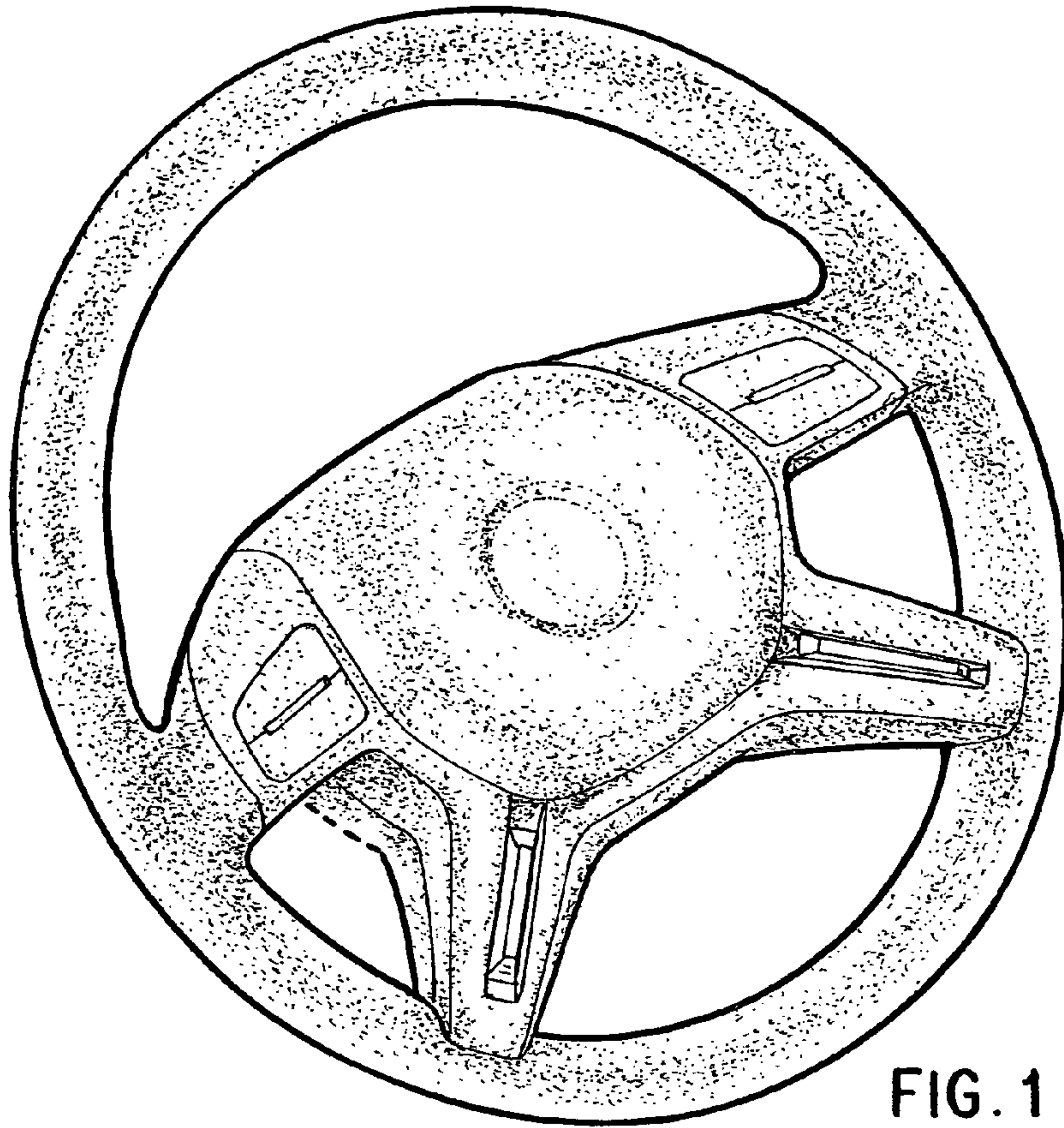


FIG. 1

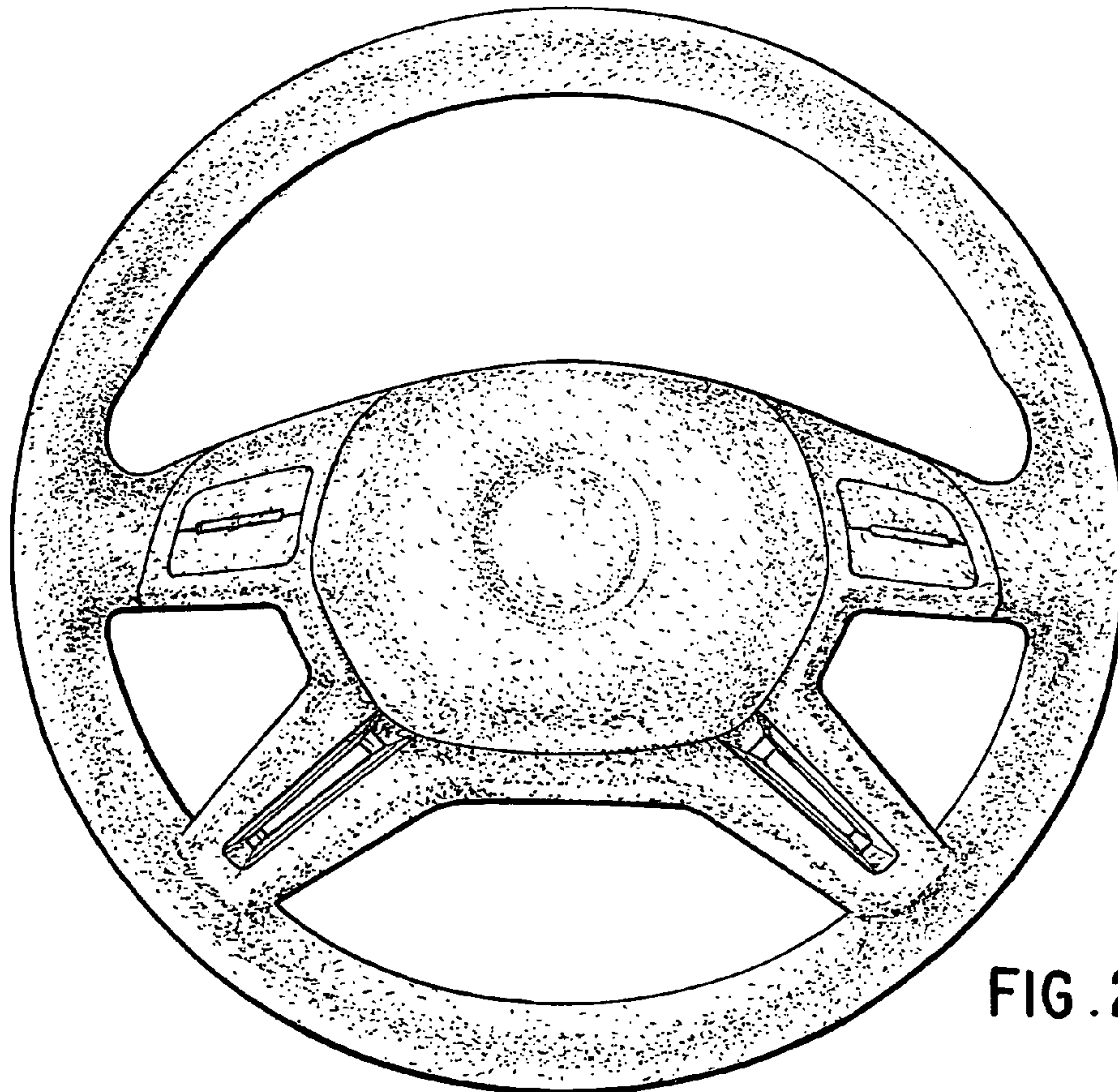


FIG. 2

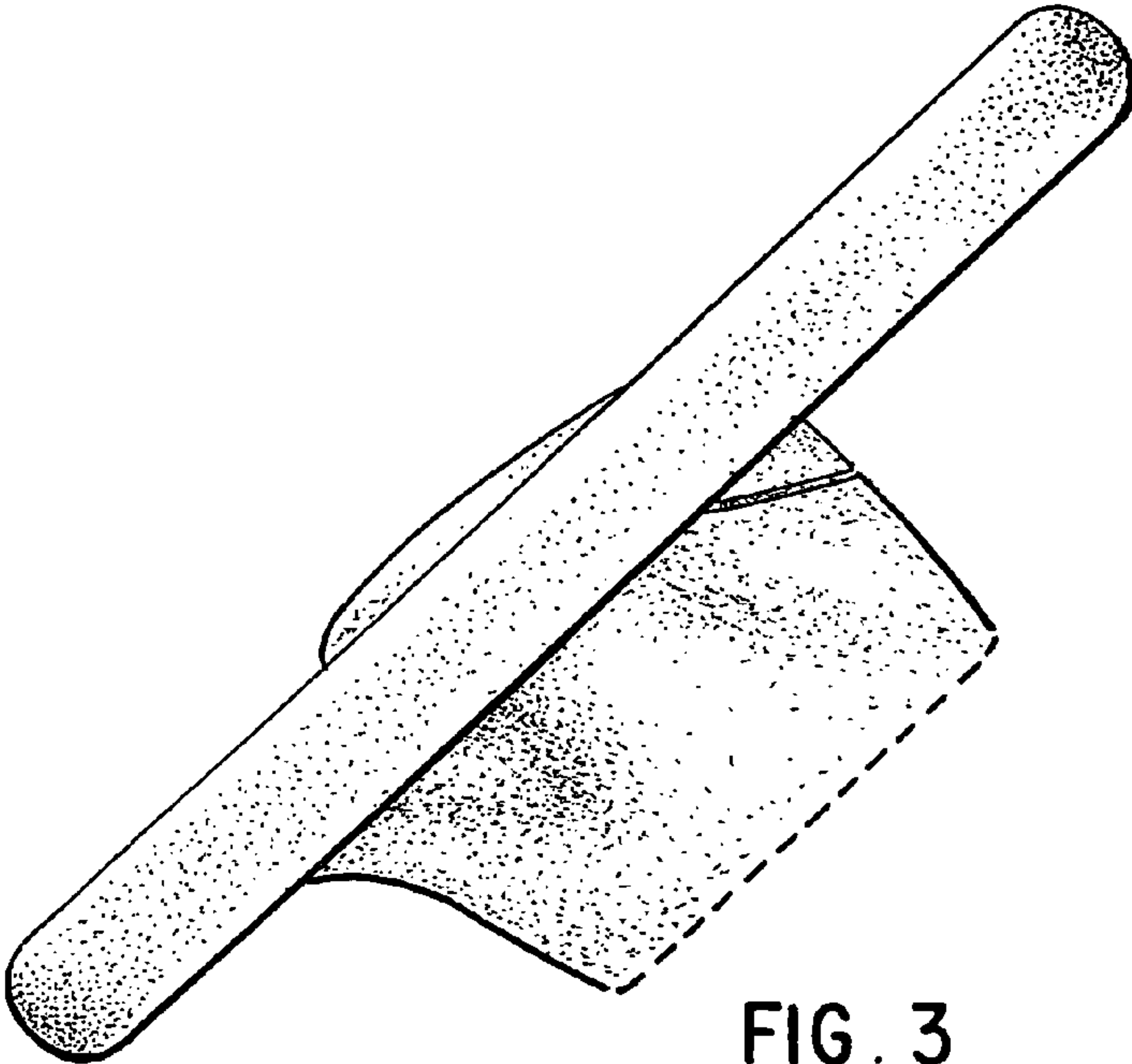


FIG. 3

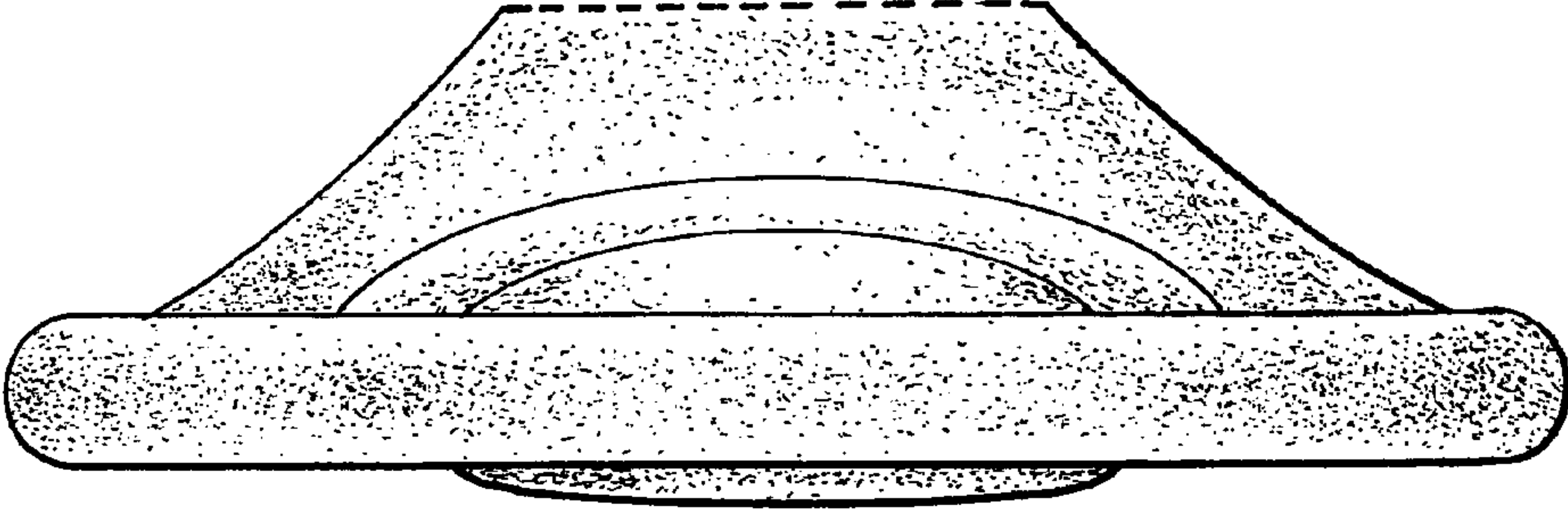


FIG. 4

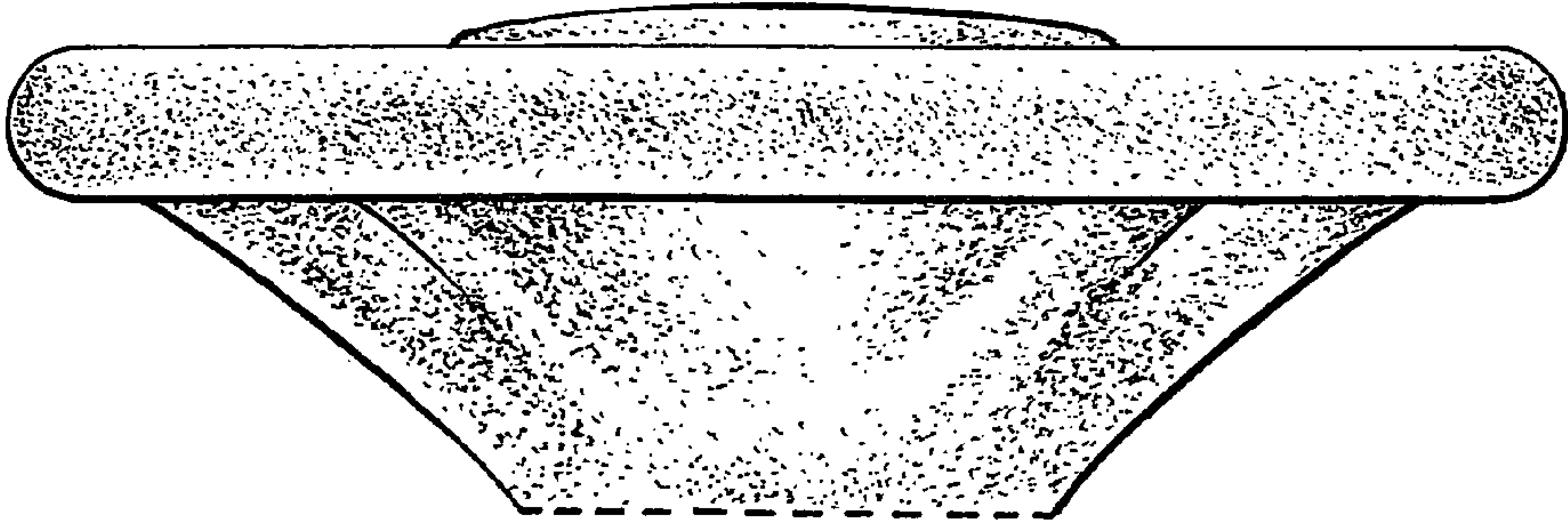


FIG. 5