



US00D633830S

(12) **United States Design Patent**
Derks et al.

(10) **Patent No.:** **US D633,830 S**
(45) **Date of Patent:** **** Mar. 8, 2011**

- (54) **CONVERTIBLE WHEELED PATIENT AID**
- (75) Inventors: **Richard P. Derks**, Hawthorn Woods, IL (US); **Ishwor P. Adhikari**, Mundelein, IL (US)
- (73) Assignee: **Medline Industries, Inc.**, Mundelein, IL (US)

5,224,731	A *	7/1993	Johnson	280/648
5,253,888	A *	10/1993	Friedrich	280/250.1
5,340,140	A *	8/1994	Bynum	280/304.1
5,558,358	A *	9/1996	Johnson	280/648
5,560,627	A *	10/1996	Zatulovsky et al.	280/42
5,865,457	A *	2/1999	Knabusch et al.	280/304.1
7,052,023	B2 *	5/2006	Chen et al.	280/47.38
7,537,237	B2 *	5/2009	Chung et al.	280/647

- (**) Term: **14 Years**
- (21) Appl. No.: **29/367,931**
- (22) Filed: **Aug. 16, 2010**

* cited by examiner
Primary Examiner — Ian Simmons
Assistant Examiner — Charles D Hanson
 (74) *Attorney, Agent, or Firm* — David S. Noskowicz

Related U.S. Application Data

- (62) Division of application No. 29/337,785, filed on May 29, 2009, now Pat. No. Des. 623,992.
- (51) **LOC (9) Cl.** **12-12**
- (52) **U.S. Cl.** **D12/131**
- (58) **Field of Classification Search** D12/128-133;
280/62, 647-650, 29, 200, 47.38, 250.1,
280/259, 642, 658; 297/DIG. 4; 296/65.03,
296/65.04; 224/209; 414/921; 135/65-67,
135/74
See application file for complete search history.

(57) **CLAIM**

The ornamental design for a convertible wheeled patient aid, as shown and described.

DESCRIPTION

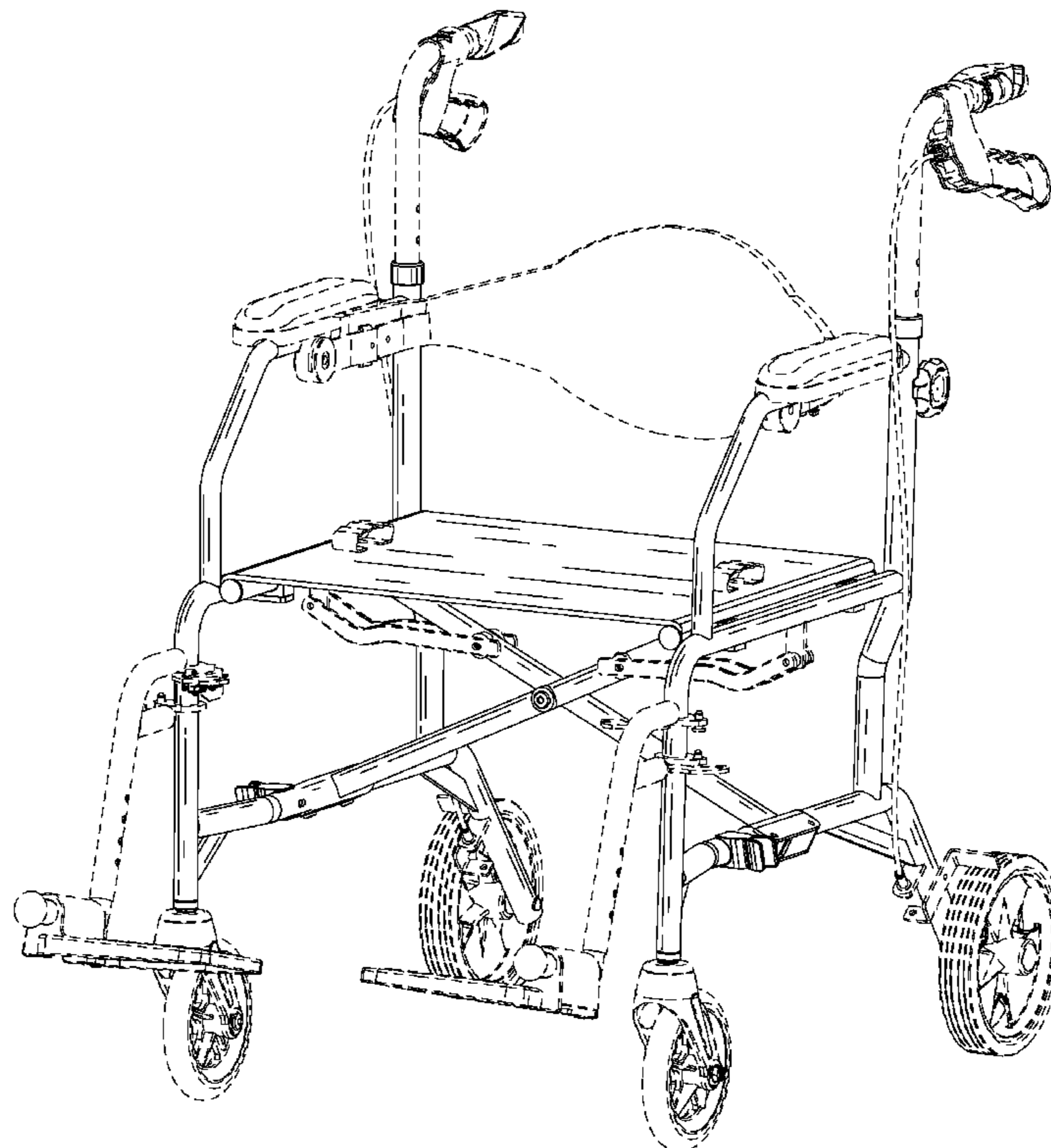
FIG. 1 is a perspective view of an ornamental design of a convertible wheeled patient aid.
 FIG. 2 is a front view thereof.
 FIG. 3 is a rear view thereof
 FIG. 4 is a first side view thereof.
 FIG. 5 is a second side view thereof.
 FIG. 6 is a top view thereof; and,
 FIG. 7 is a bottom view thereof.
 The broken lines shown in FIGS. 1-7 are included for the purpose of illustrating environmental elements only and form no part of the claimed design.

(56) **References Cited**

U.S. PATENT DOCUMENTS

4,639,012	A *	1/1987	Jensen	280/642
5,141,250	A *	8/1992	Morgan et al.	280/250.1
5,188,383	A *	2/1993	Thompson	280/250.1

1 Claim, 7 Drawing Sheets



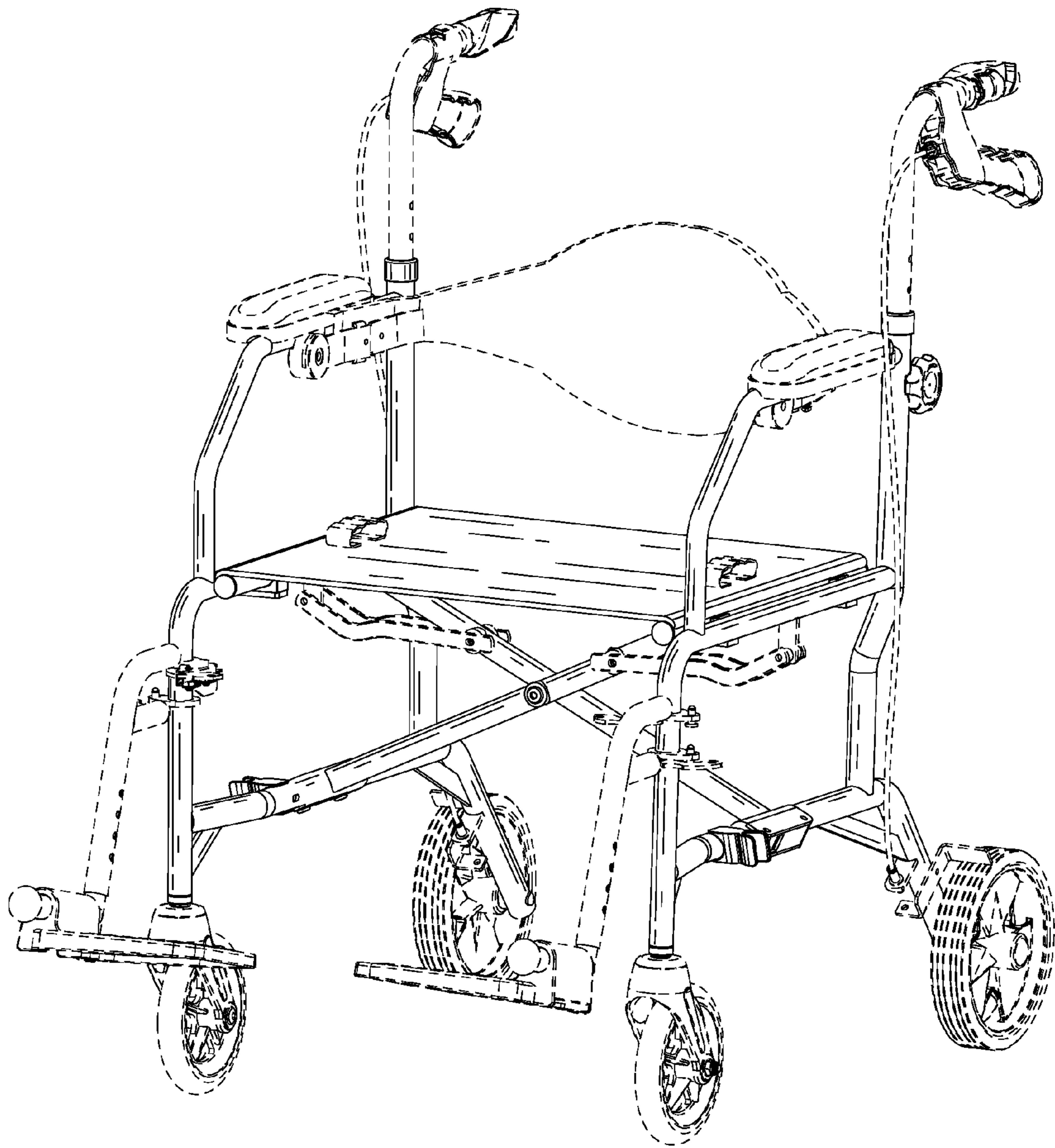


FIG. 1

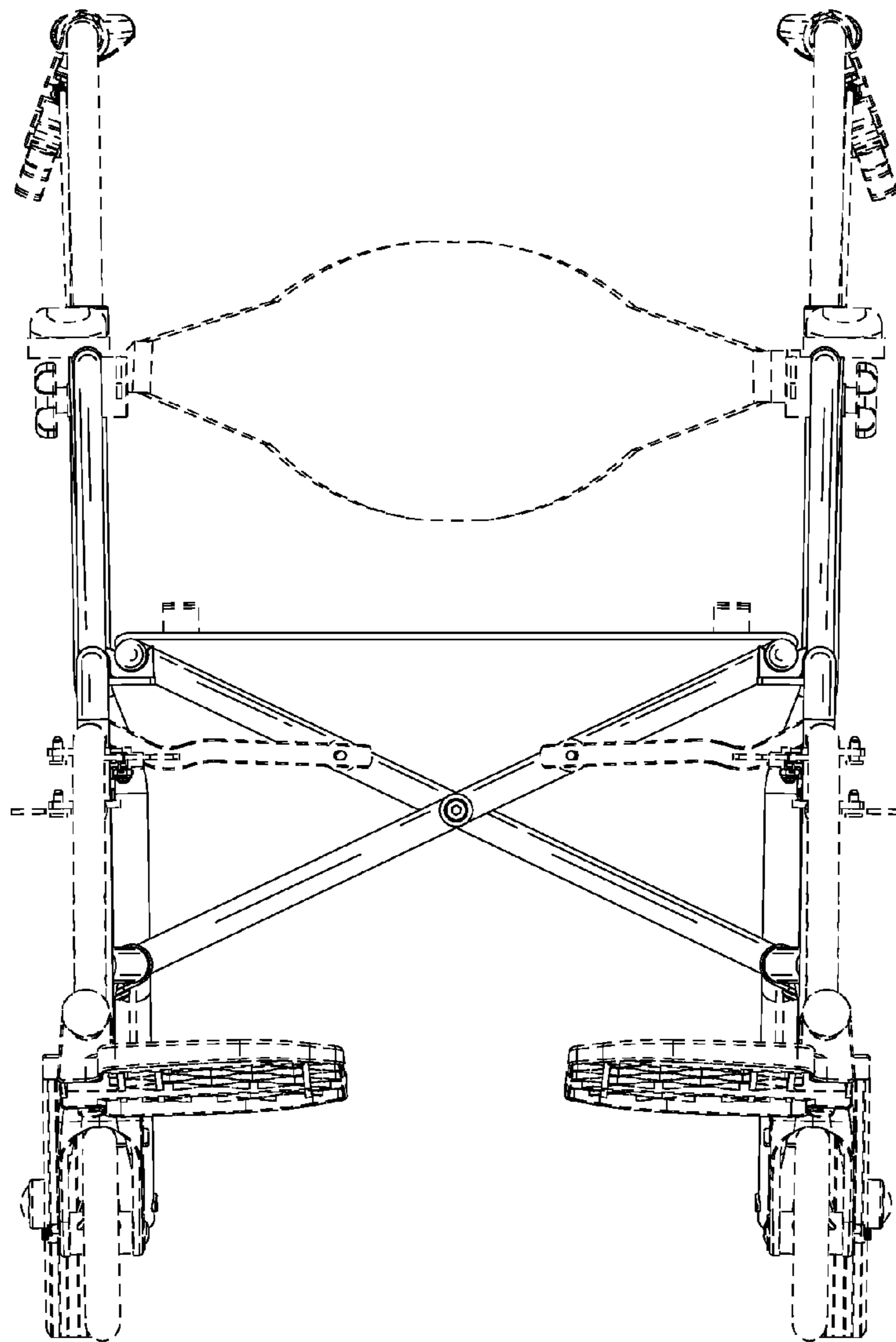


FIG. 2

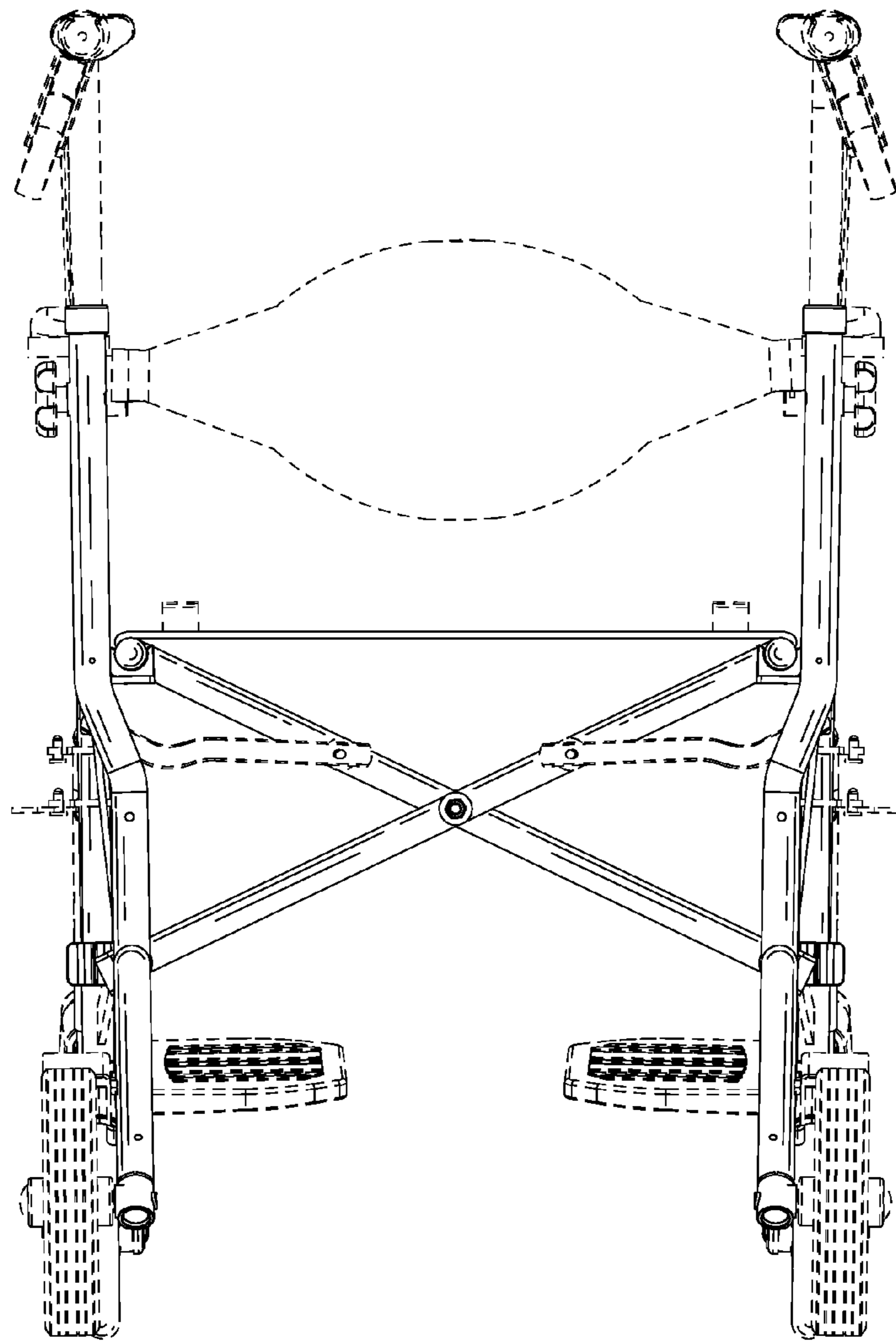


FIG. 3

FIG. 4

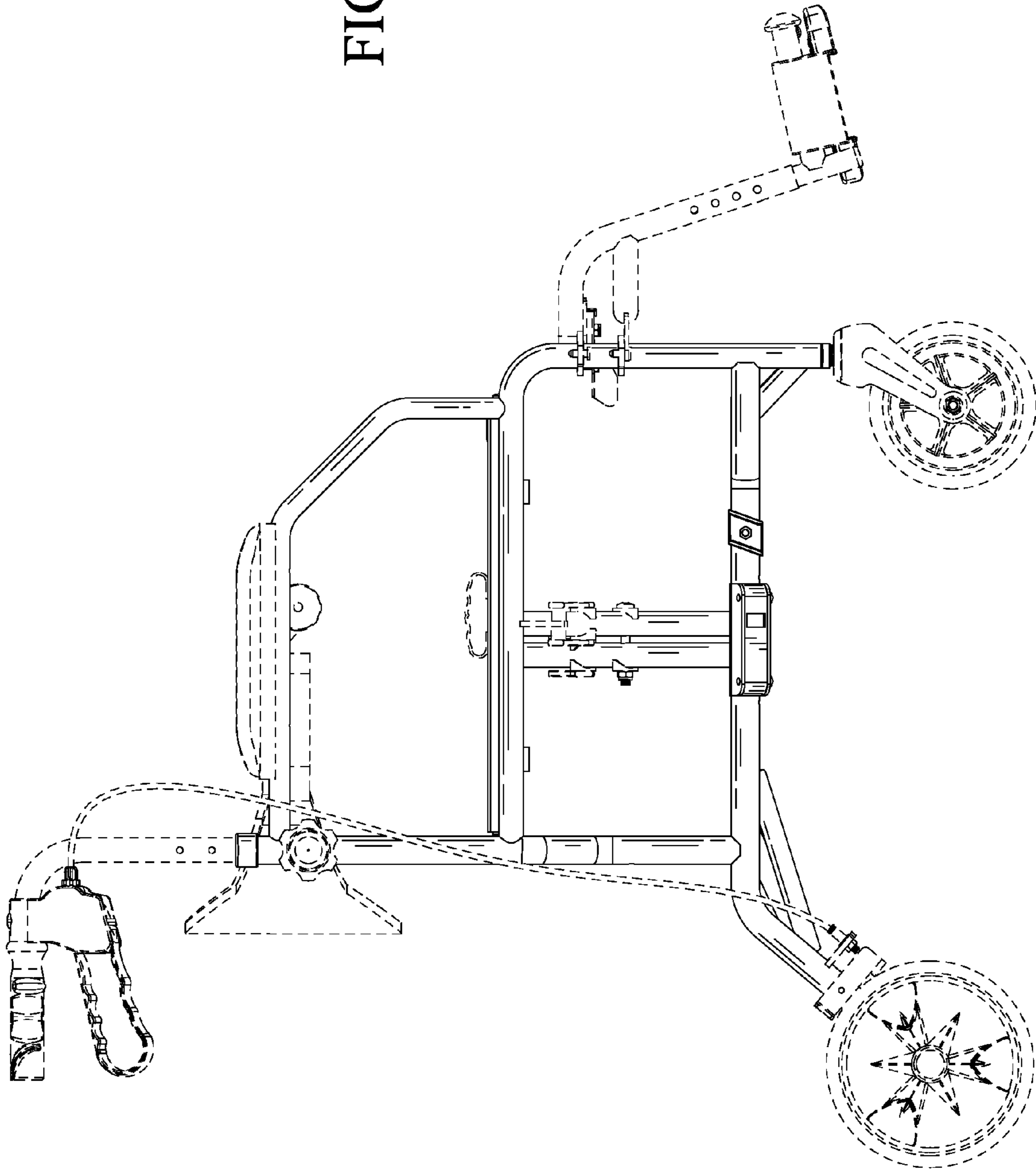
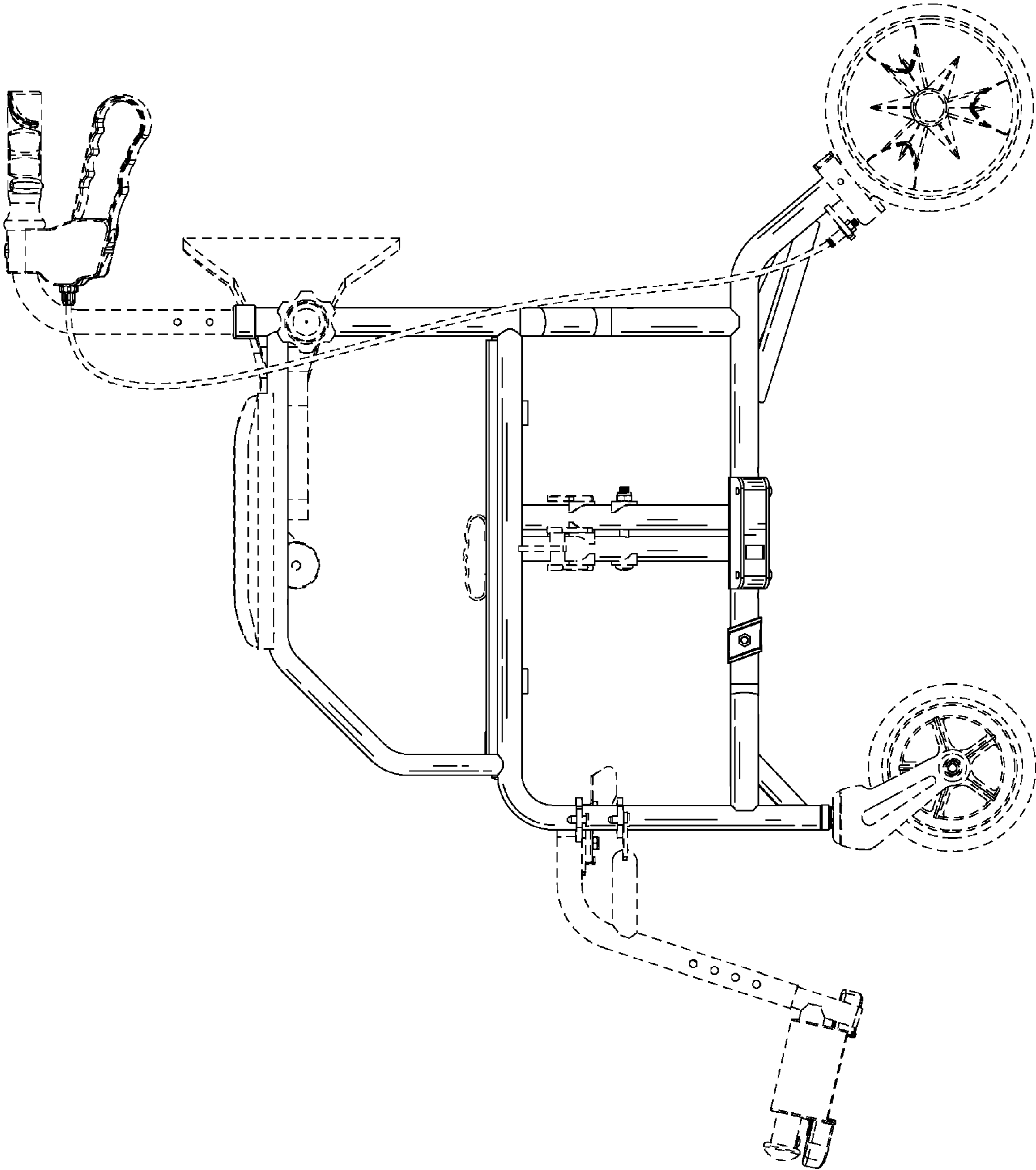


FIG. 5



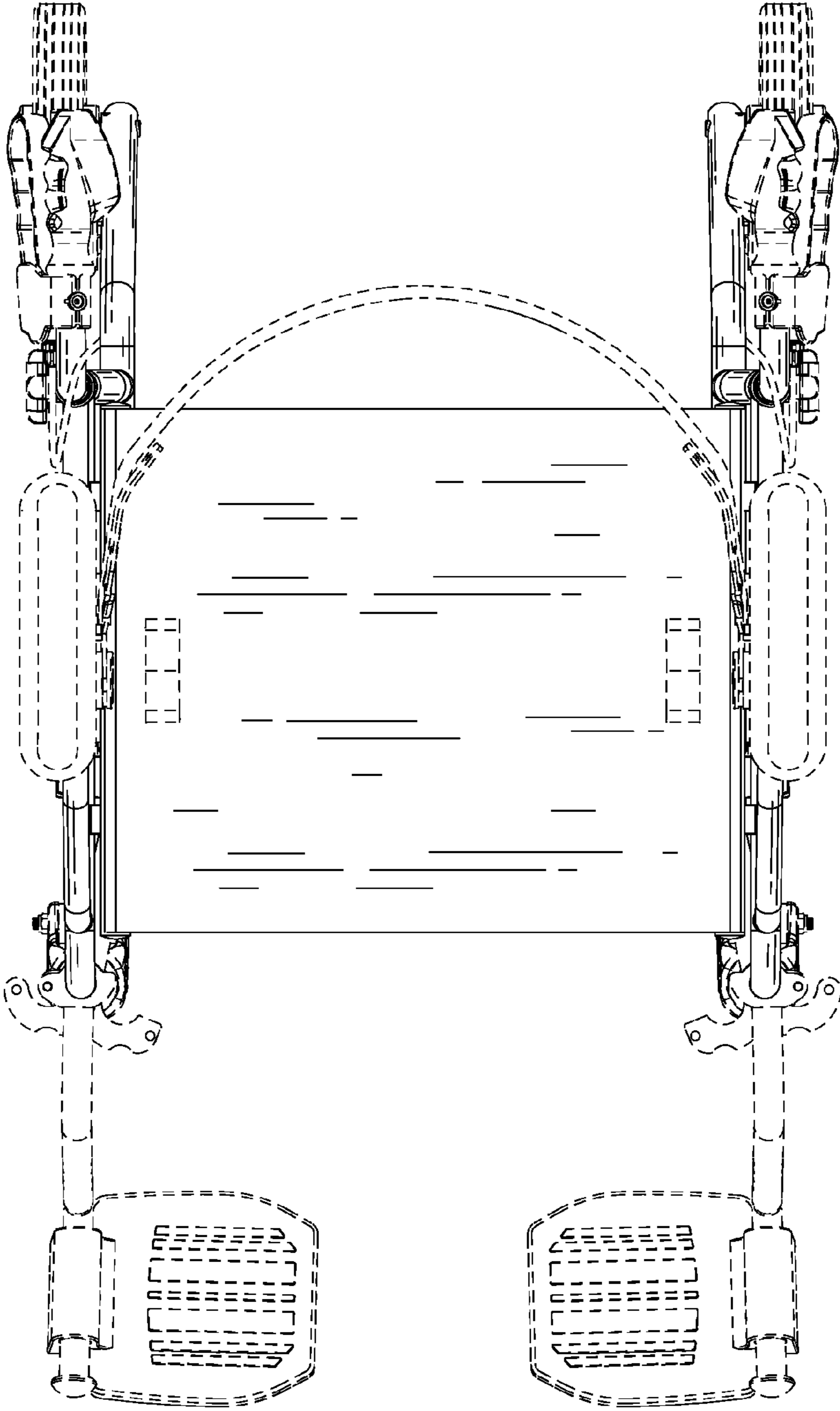


FIG. 6

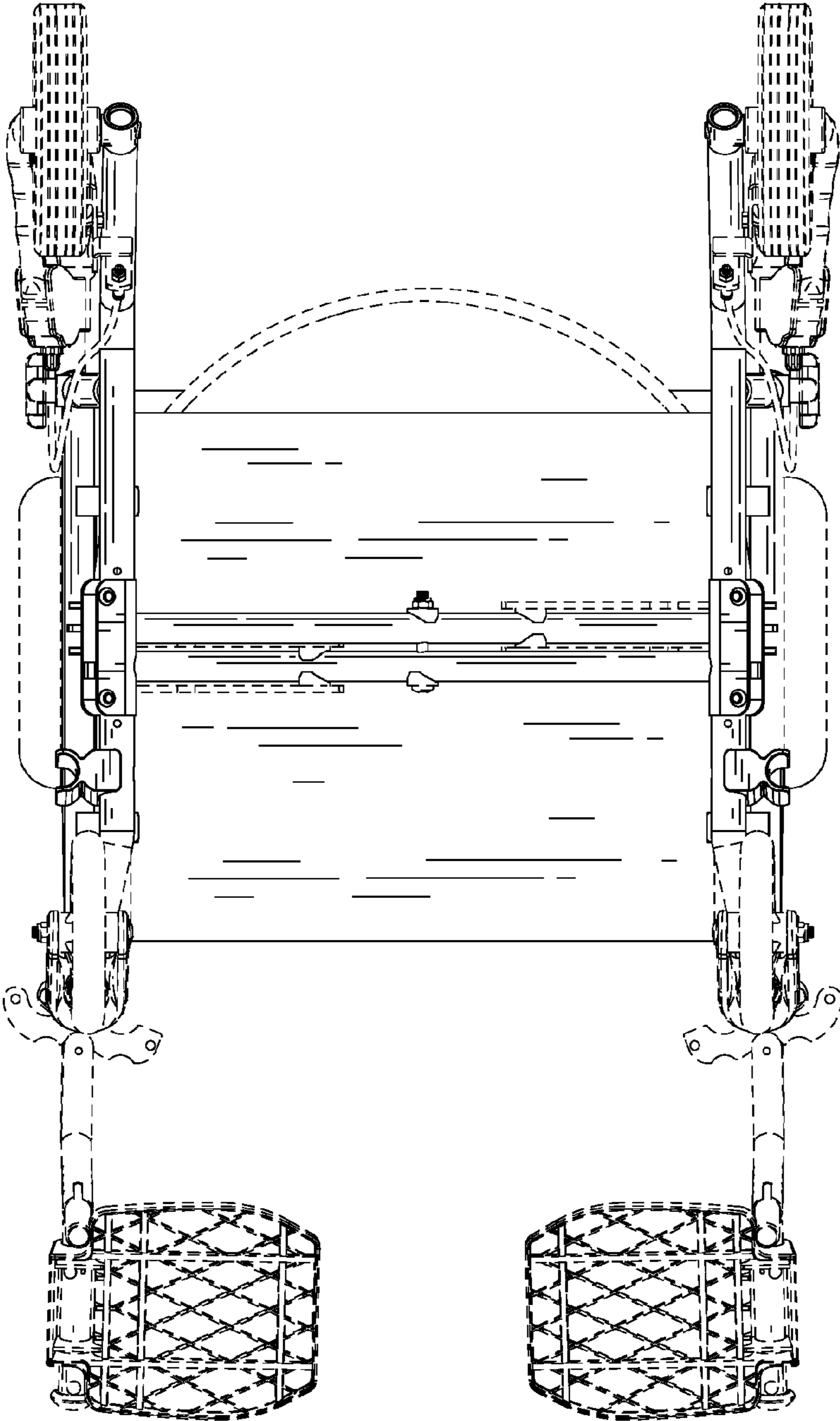


FIG. 7