



US00D633828S

(12) **United States Design Patent**
Portnoff

(10) **Patent No.:** **US D633,828 S**

(45) **Date of Patent:** **** Mar. 8, 2011**

(54) **BICYCLE FRAME**

D606,908 S * 12/2009 Grimaldi D12/111
D610,047 S * 2/2010 Uimonen D12/111

(76) Inventor: **Lance Adam Portnoff**, Philadelphia, PA
(US)

* cited by examiner

(**) Term: **14 Years**

Primary Examiner—Susan M Lee
Assistant Examiner—Linda G. Brooks
(74) *Attorney, Agent, or Firm*—Steven A. Nielsen; Allman & Nielsen PC

(21) Appl. No.: **29/364,828**

(57) **CLAIM**

(22) Filed: **Jun. 29, 2010**

The ornamental design for a bicycle frame, as shown and described.

(51) **LOC (9) Cl.** **12-11**

(52) **U.S. Cl.** **D12/111**

(58) **Field of Classification Search** D12/111,
D12/117; 280/274–278, 283–288, 281.1,
280/288.1–288.3

See application file for complete search history.

DESCRIPTION

FIG. 1 is a front and side perspective view of a bicycle frame, showing my new design;

FIG. 2 is right side view thereof;

FIG. 3 is left side view thereof;

FIG. 4 is a top view thereof;

FIG. 5 is a bottom thereof;

FIG. 6 is a front view thereof; and,

FIG. 7 is a back view thereof.

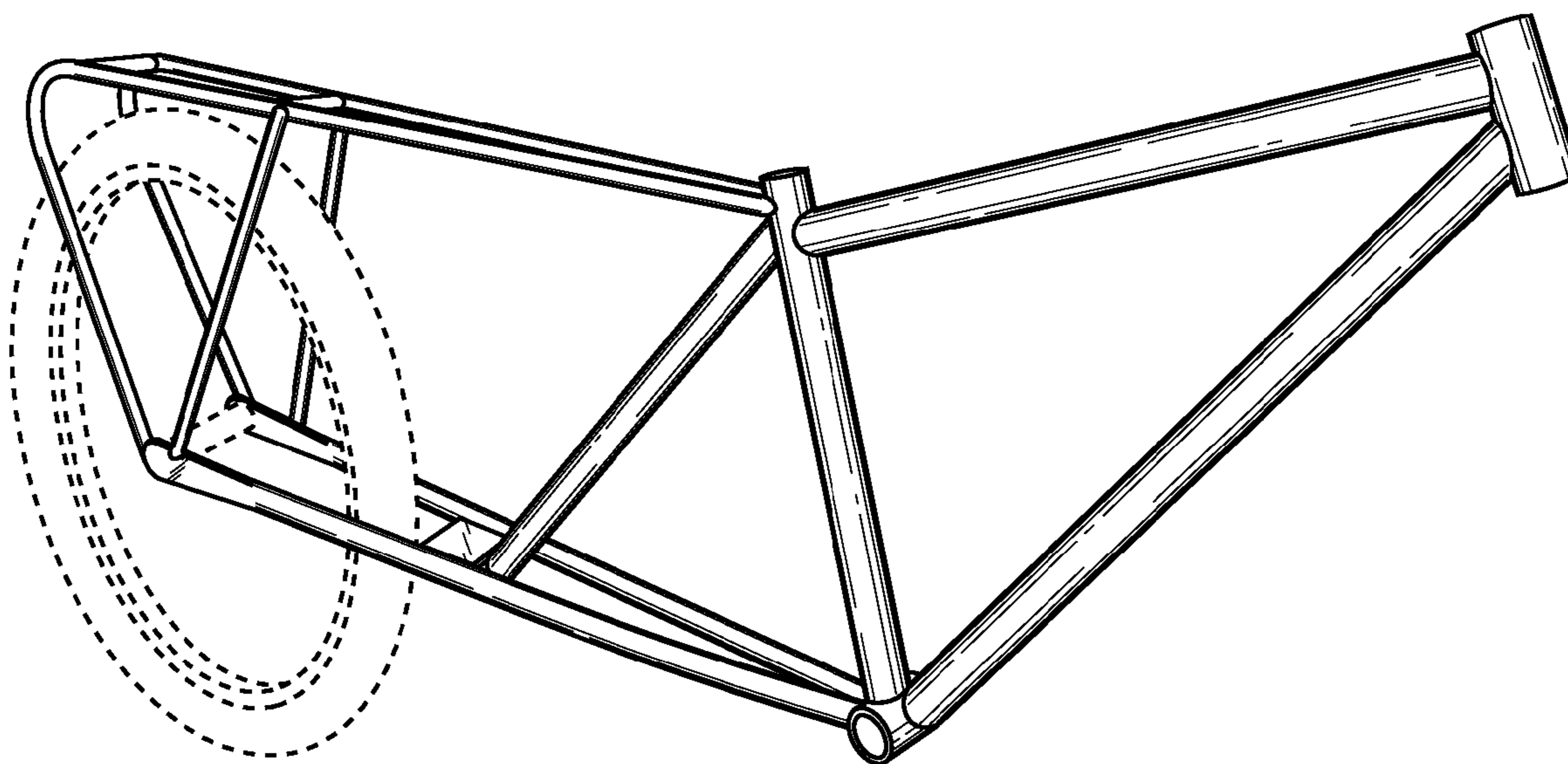
The broken lines shown in the drawing illustrate environmental structure that forms no part of the claimed design.

(56) **References Cited**

U.S. PATENT DOCUMENTS

D34,381 S *	4/1901	Manson	D12/111
D213,606 S *	3/1969	McGregor et al.	D12/111
D243,165 S *	1/1977	Wheeler	D12/111
7,168,726 B2 *	1/2007	Klein	280/284
7,374,191 B1 *	5/2008	Tseng	280/284
D586,702 S *	2/2009	Morris	D12/111

1 Claim, 5 Drawing Sheets



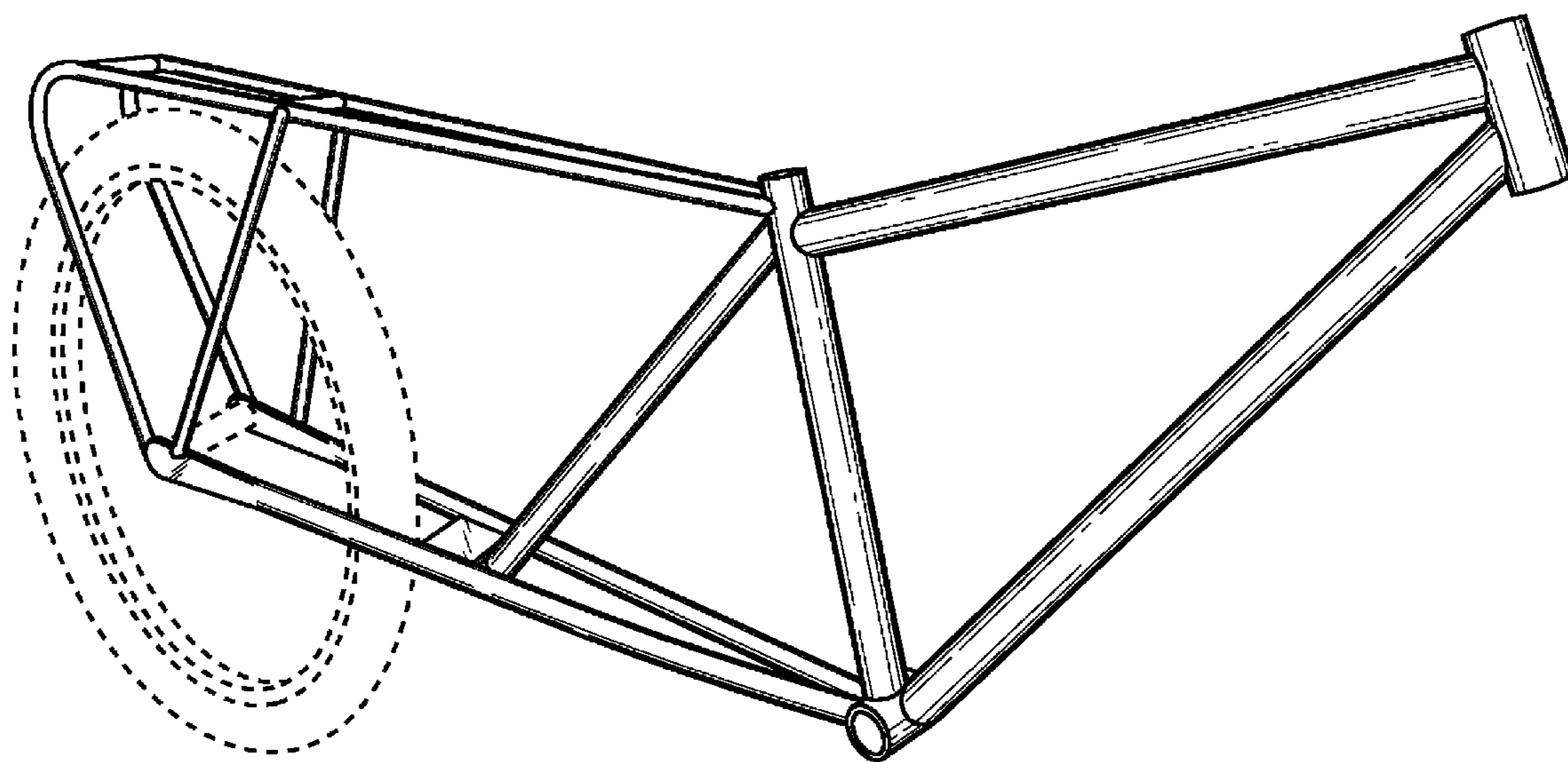


Fig. 1

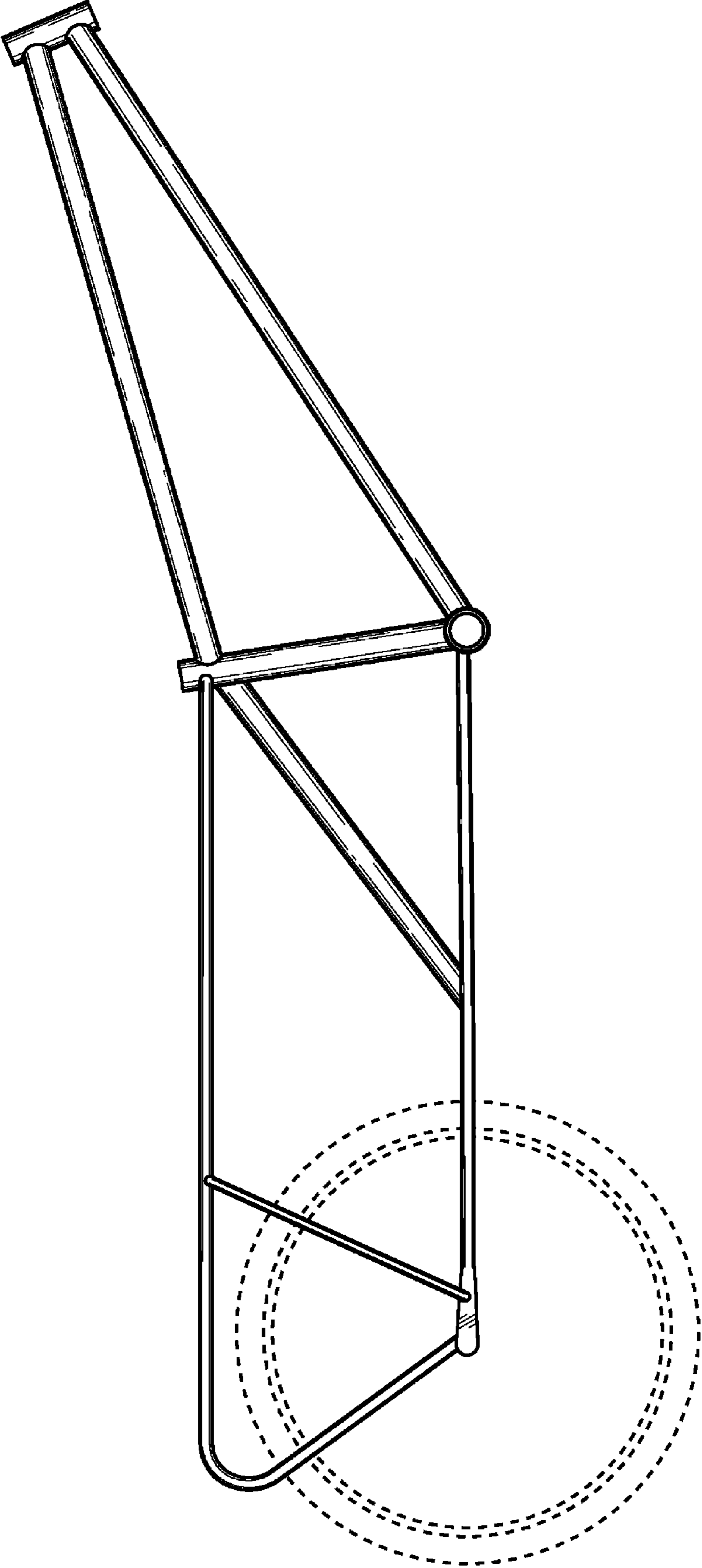


Fig. 2

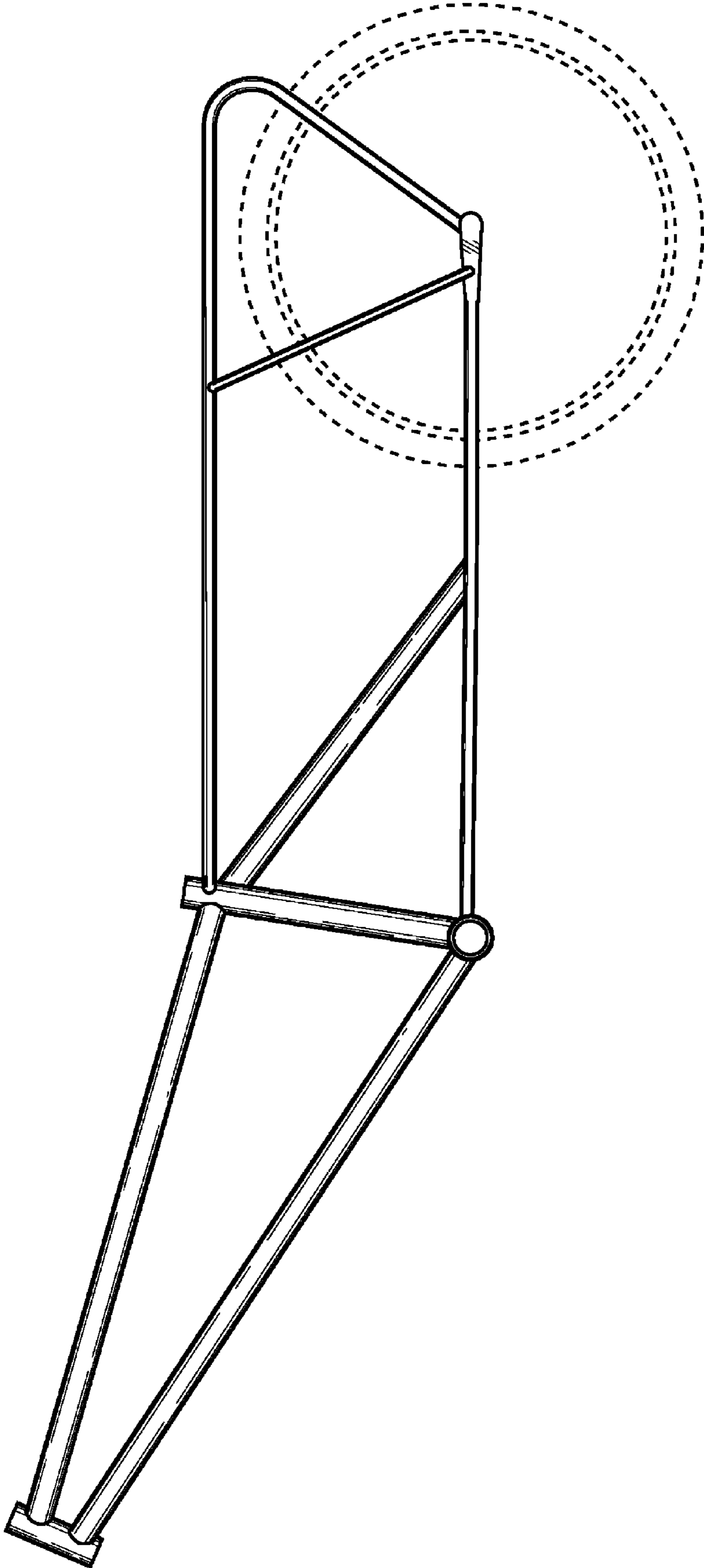


Fig. 3

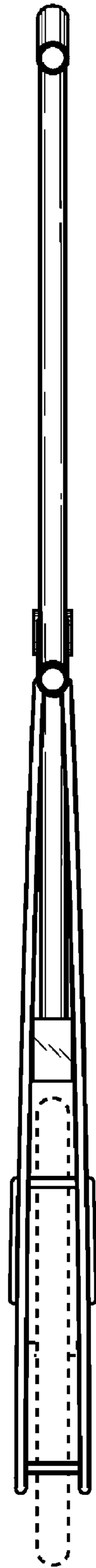


Fig. 4



Fig. 5

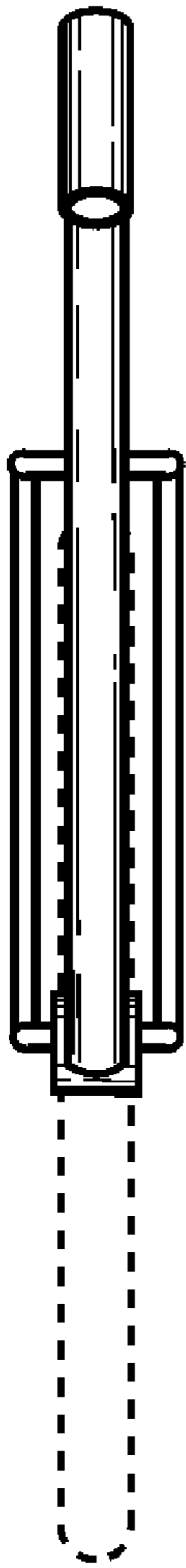


Fig. 6

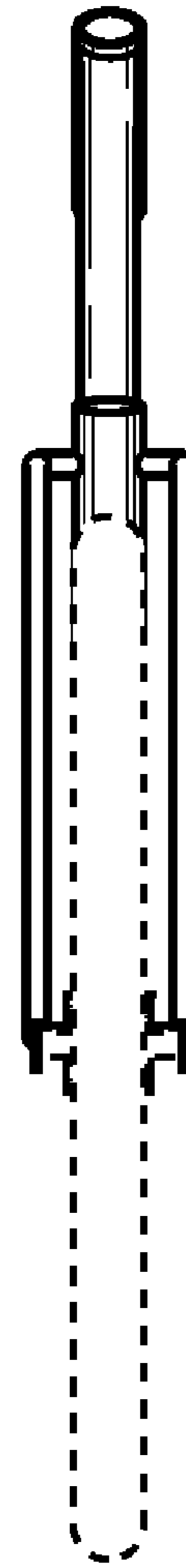


Fig. 7