



US00D633826S

(12) **United States Design Patent**  
**Morrow**

(10) **Patent No.:** **US D633,826 S**

(45) **Date of Patent:** **\*\* \*Mar. 8, 2011**

(54) **BICYCLE FRAME**

(76) Inventor: **David D. Morrow**, San Diego, CA (US)

(\* ) Notice: This patent is subject to a terminal disclaimer.

(\*\*) Term: **14 Years**

(21) Appl. No.: **29/351,989**

(22) Filed: **Dec. 15, 2009**

**Related U.S. Application Data**

(63) Continuation-in-part of application No. 29/333,639, filed on Mar. 12, 2009, now Pat. No. Des. 615,907.

(51) **LOC (9) Cl.** ..... **12-11**

(52) **U.S. Cl.** ..... **D12/111**

(58) **Field of Classification Search** ..... D12/111,  
D12/117; 280/274–278, 281.1, 288.1–288.3,  
280/283–288

See application file for complete search history.

(56) **References Cited**

**U.S. PATENT DOCUMENTS**

D321,155 S \* 10/1991 Tan ..... D12/111  
D348,859 S \* 7/1994 Takagaki ..... D12/111  
D390,505 S \* 2/1998 Shiau ..... D12/111

D398,267 S \* 9/1998 Yu et al. .... D12/111  
D415,071 S \* 10/1999 Lai ..... D12/111  
D533,811 S \* 12/2006 Hoisington et al. .... D12/111  
D533,812 S \* 12/2006 Hoisington ..... D12/111  
D615,460 S \* 5/2010 Morrow ..... D12/111  
D615,906 S \* 5/2010 Morrow ..... D12/111

\* cited by examiner

*Primary Examiner* — Susan M Lee

*Assistant Examiner* — Linda G. Brooks

(74) *Attorney, Agent, or Firm* — Frank G. Morkunas

(57) **CLAIM**

I claim the ornamental design for a bicycle frame, as shown and described.

**DESCRIPTION**

FIG. 1 is a left side elevation view of a bicycle frame showing the new design with the right side elevation view being a mirror-image thereof.

FIG. 2 is detailed close-up view of the spring associated with the bicycle frame.

FIG. 3 is top plan view of the bicycle frame.

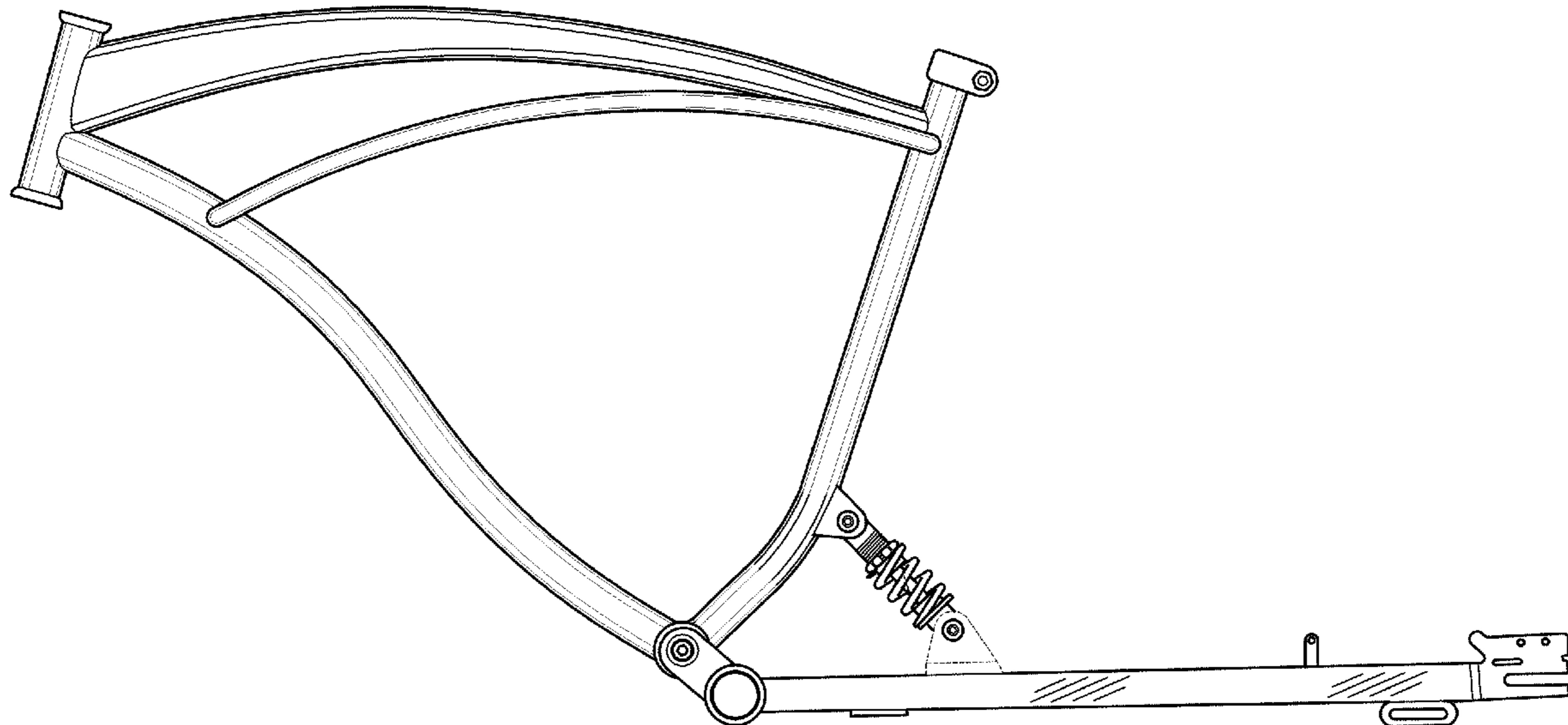
FIG. 4 is a bottom plan view of the bicycle frame.

FIG. 5 is a front elevation view of the bicycle frame; and,

FIG. 6 is rear elevation view of the bicycle frame.

The broken lines illustrate portions of the bicycle frame which form no part of the claimed design.

**1 Claim, 3 Drawing Sheets**



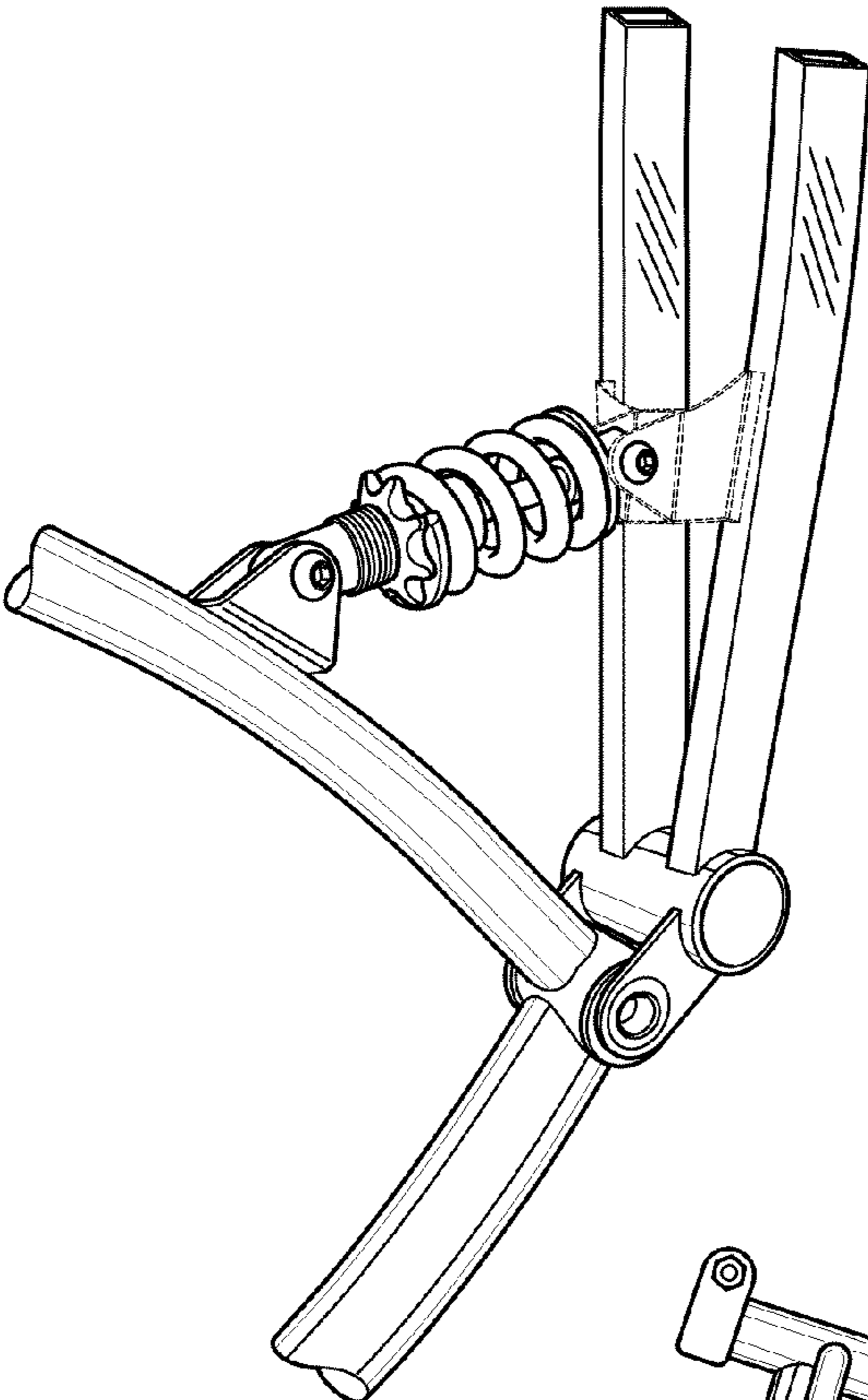


Fig. 2

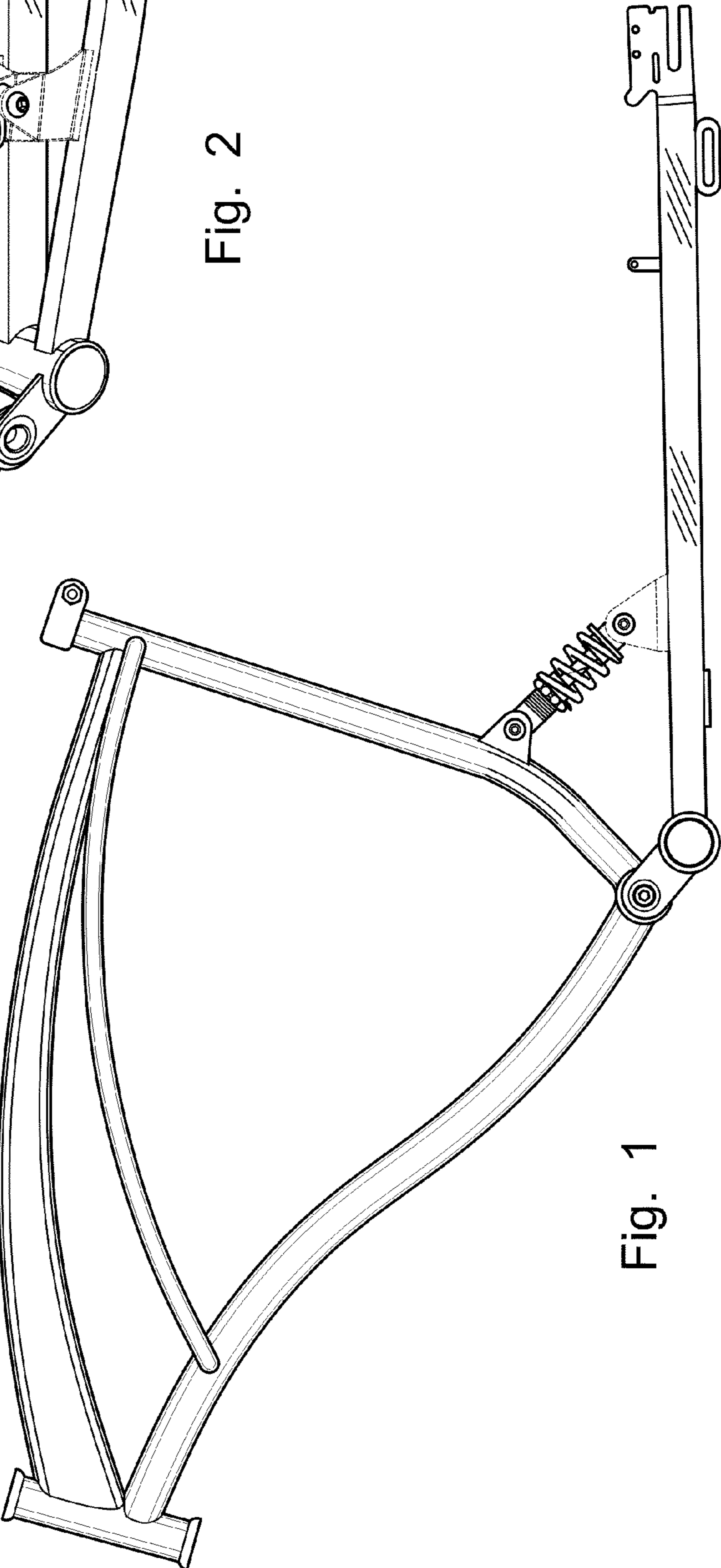


Fig. 1

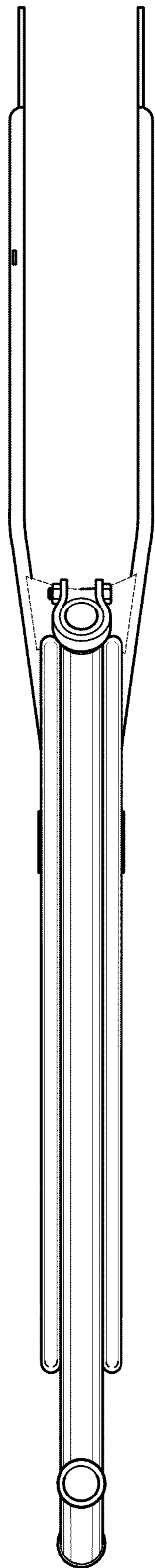


Fig. 3

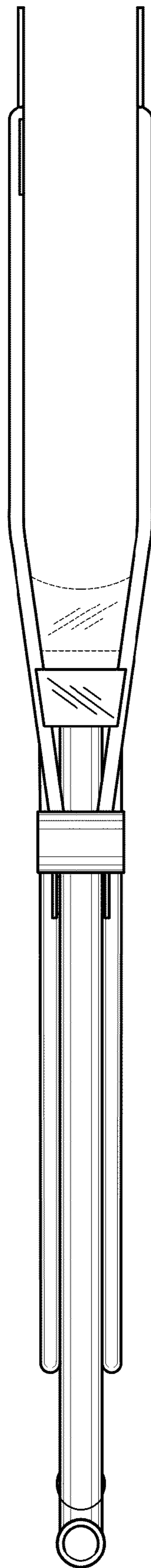


Fig. 4

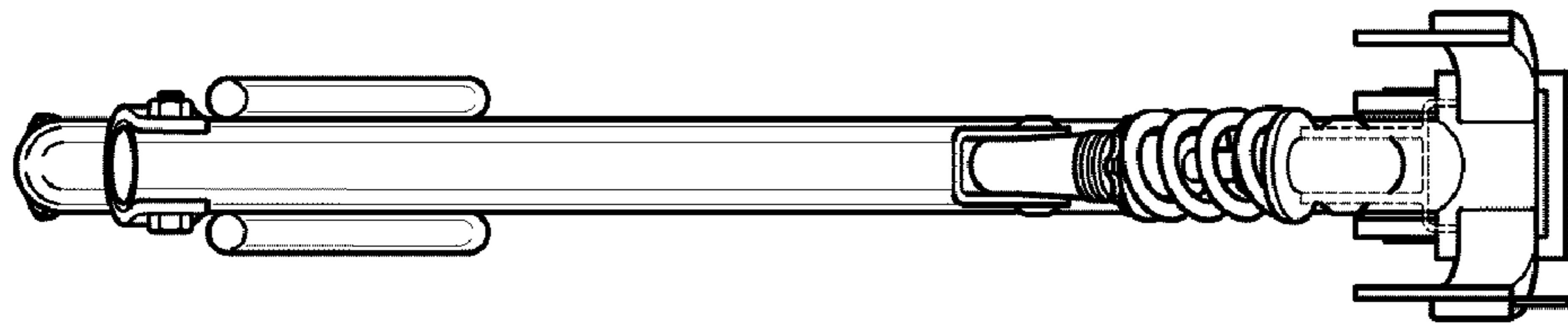


Fig. 6

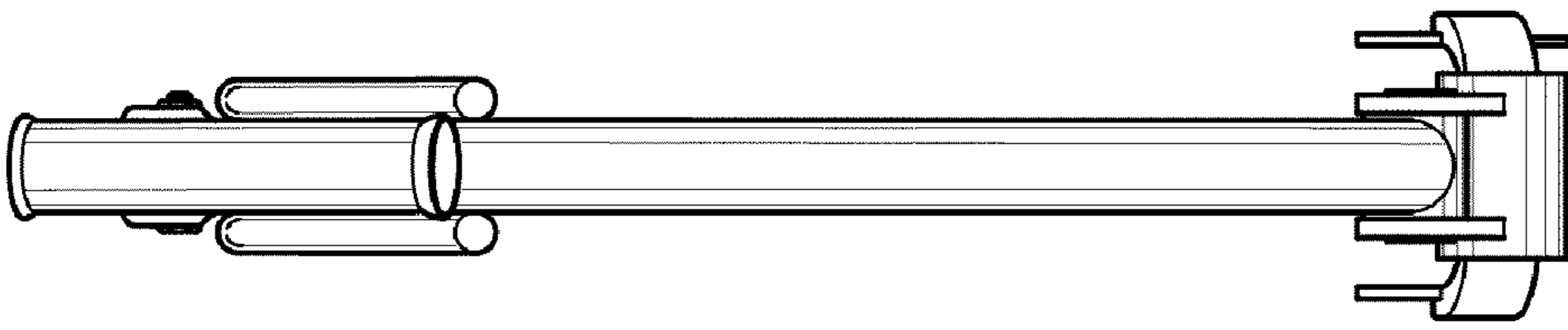


Fig. 5