



US00D633825S

(12) **United States Design Patent**  
**van Leeuwen et al.**

(10) **Patent No.:** **US D633,825 S**  
(45) **Date of Patent:** **\*\* Mar. 8, 2011**

(54) **PET BICYCLE TRAILER AND STROLLER**

(75) Inventors: **Matthys van Leeuwen**, Redmond, WA (US); **Stephan A. Peters**, Amersfoort (NL)

(73) Assignee: **Montare LLC**, Snoqualmie, WA (US)

(\*\*) Term: **14 Years**

(21) Appl. No.: **29/294,285**

(22) Filed: **Jan. 3, 2008**

(51) **LOC (9) Cl.** ..... **12-10**

(52) **U.S. Cl.** ..... **D12/101**

(58) **Field of Classification Search** ..... D12/19, D12/129, 101-106, 111-112; D21/424, D21/435; D34/21-26, 12, 14, 17-19; 280/204, 280/63, 475, 482, 648, 763.1, 47.25; 296/173, 296/181, 10, 61, 100.01-100.08  
See application file for complete search history.

(56) **References Cited**

**U.S. PATENT DOCUMENTS**

7,387,310	B1 *	6/2008	Liu	280/642
D576,083	S *	9/2008	Liao	D12/129
D593,007	S *	5/2009	Chaudeurge	D12/129
D604,021	S *	11/2009	Blaszczak et al.	D34/14
2002/0074764	A1 *	6/2002	Allen et al.	280/204
2002/0163158	A1 *	11/2002	Durrin	280/204
2003/0094792	A1 *	5/2003	Chen	280/648
2005/0023784	A1 *	2/2005	Harmer et al.	280/63
2006/0181042	A1 *	8/2006	Sawyer, III	280/63

2006/0244227	A1 *	11/2006	Matsuda et al.	280/47.25
2007/0262544	A1 *	11/2007	Ross et al.	280/63
2007/0284842	A1 *	12/2007	O'Donnell	280/204
2009/0160160	A1 *	6/2009	Bellerose et al.	280/482

\* cited by examiner

*Primary Examiner* — Caron Veynar

*Assistant Examiner* — Katrina A Kile

(57) **CLAIM**

The ornamental design for a pet bicycle trailer and stroller, as shown and described.

**DESCRIPTION**

FIG. 1 is a front isometric view of the pet bicycle trailer and stroller;

FIG. 2 is a front isometric view thereof in stroller position;

FIG. 3 is the side view of the pet bicycle trailer thereof, the opposite side being identical except for the rear tube holder;

FIG. 4 is a side view of the pet bicycle trailer thereof in stroller position, the opposite side being identical except for the rear tube holder;

FIG. 5 is a front view of the pet bicycle trailer thereof;

FIG. 6 is a front view of the pet bicycle trailer thereof in stroller position;

FIG. 7 is a top view of the pet bicycle trailer thereof;

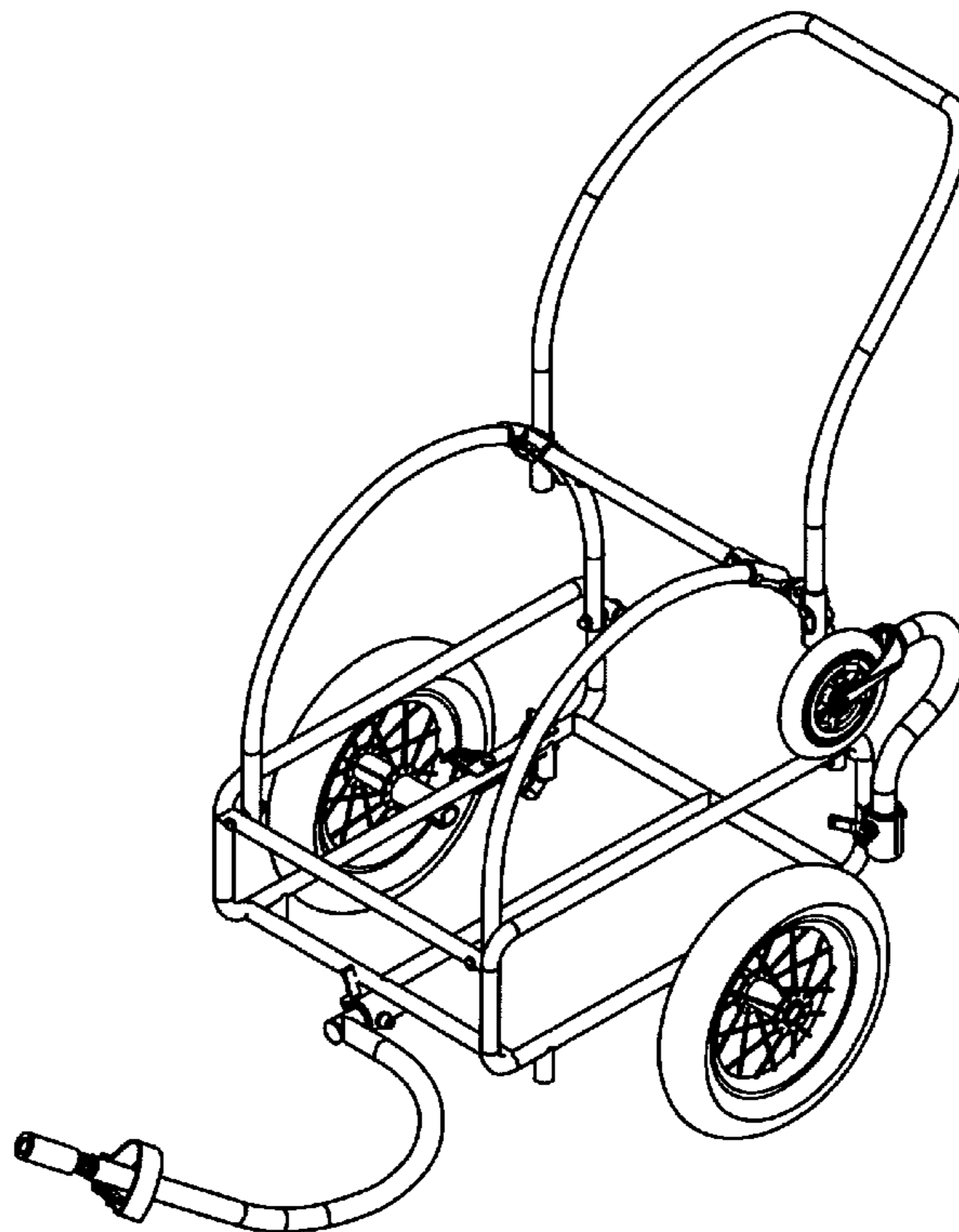
FIG. 8 is a top view of the pet bicycle trailer thereof in stroller position;

FIG. 9 is a rear view of the pet bicycle trailer thereof; and,

FIG. 10 is a rear view of the pet bicycle trailer thereof in stroller position.

FIG. 10 is a rear view of the pet bicycle trailer thereof in stroller position.

**1 Claim, 10 Drawing Sheets**



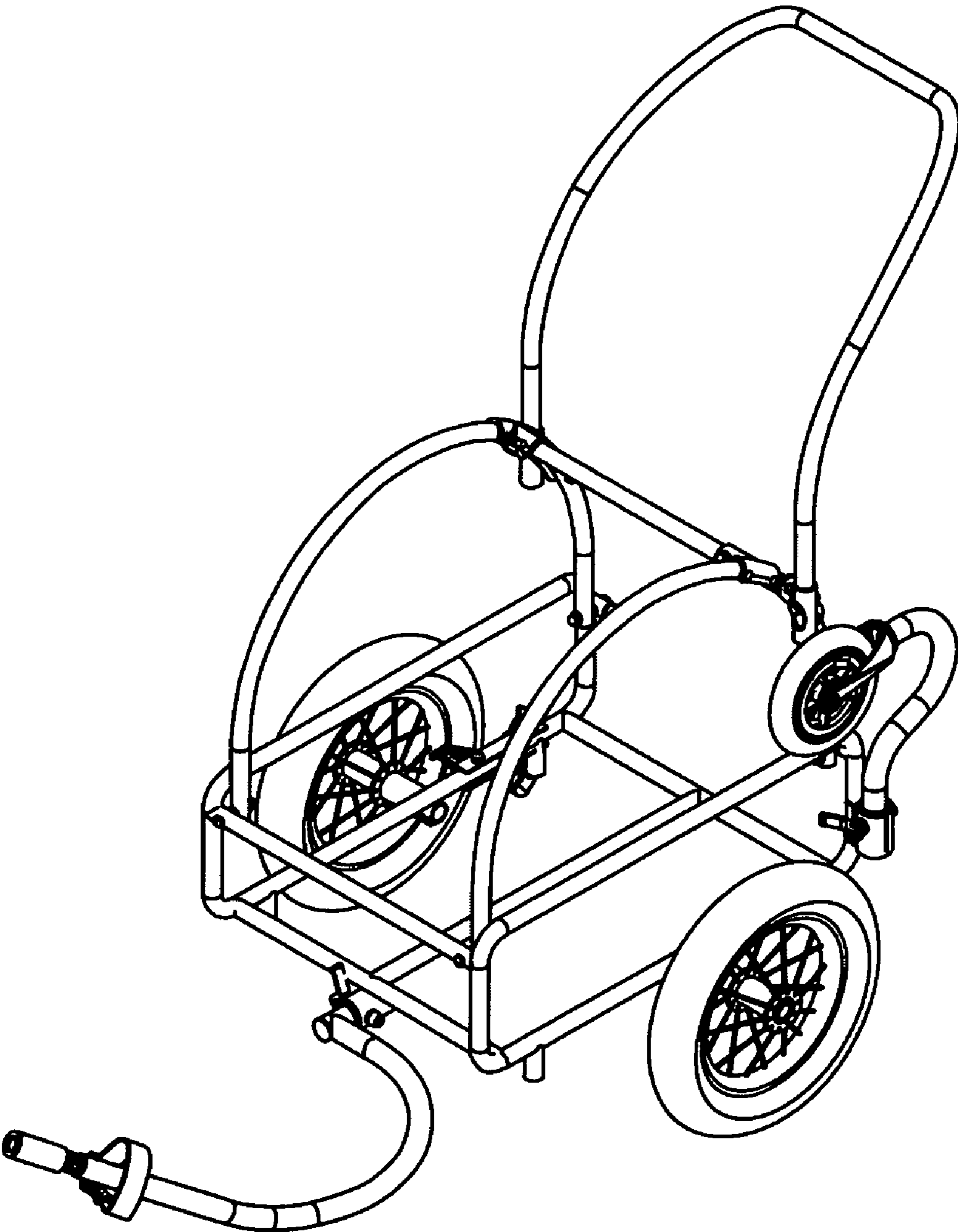


FIG. 1

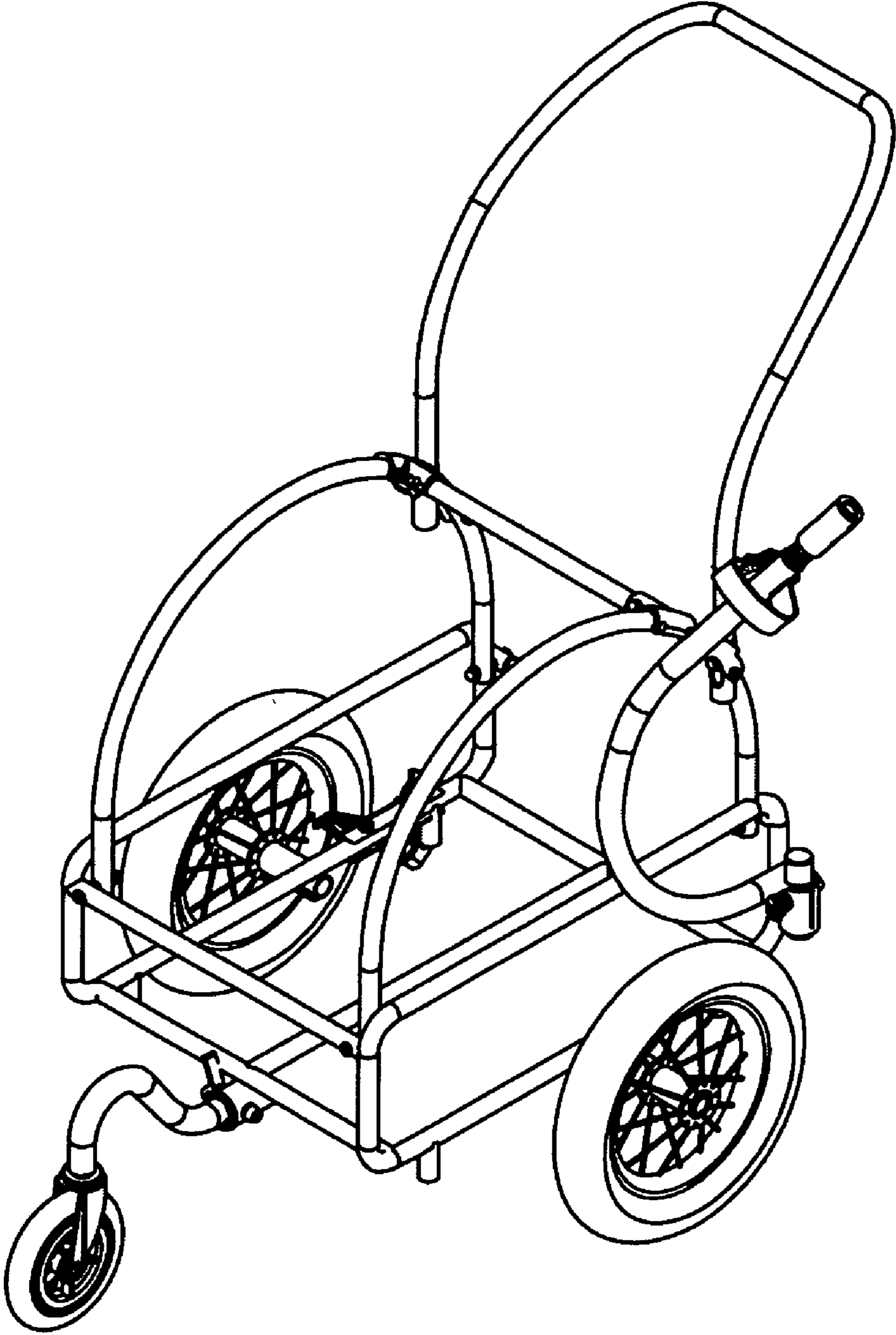


FIG. 2

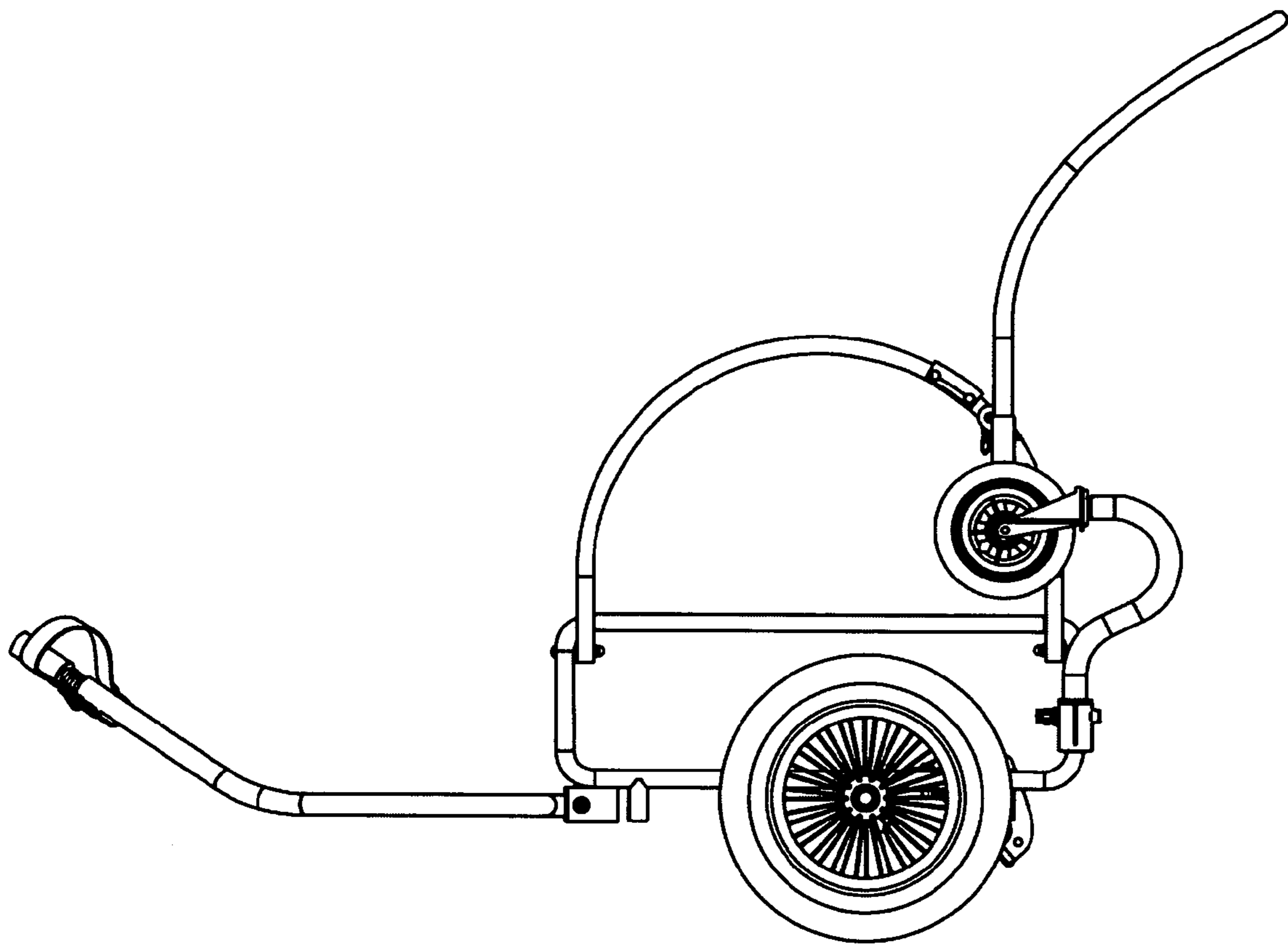


FIG. 3

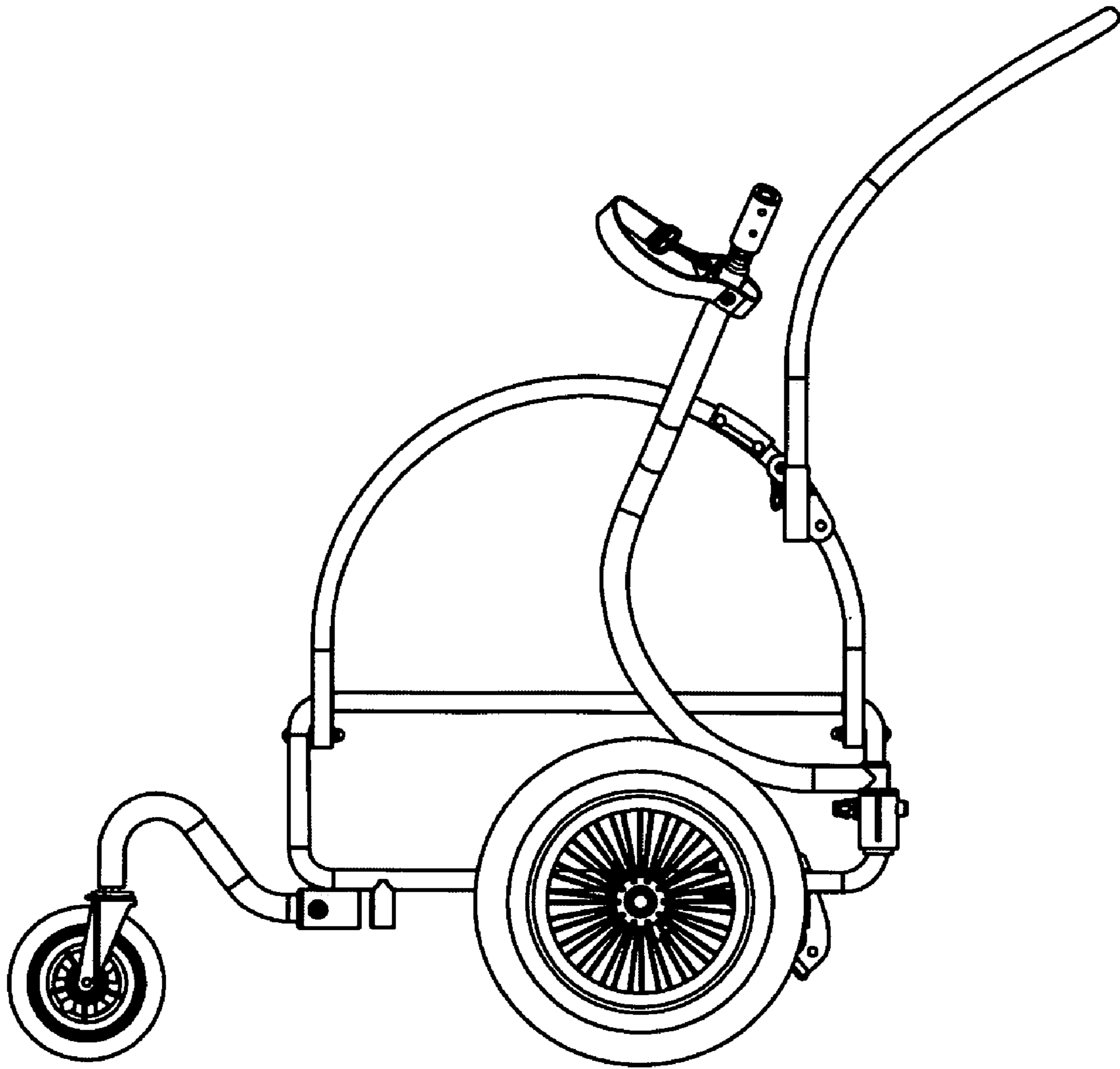


FIG. 4

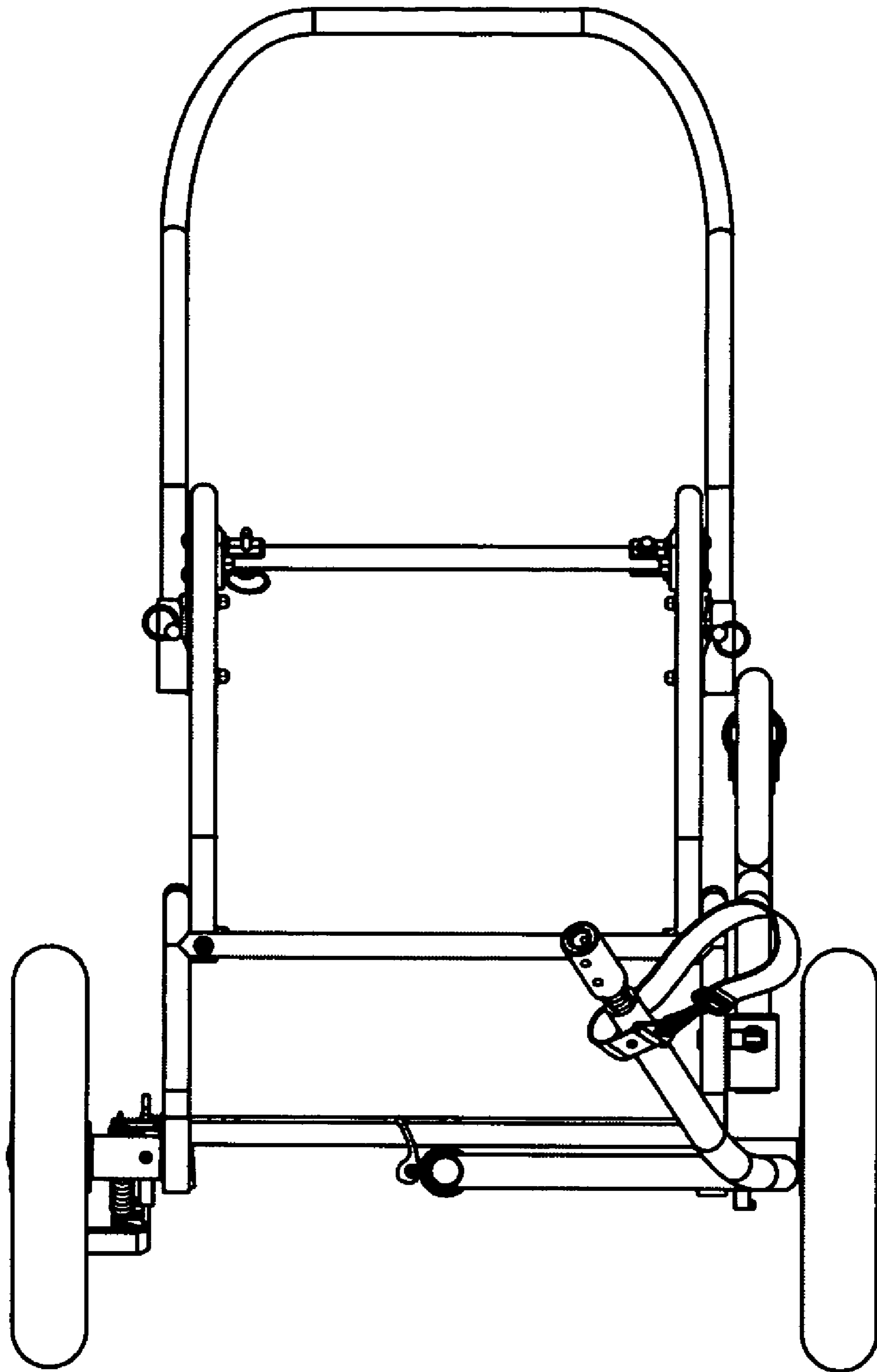


FIG. 5

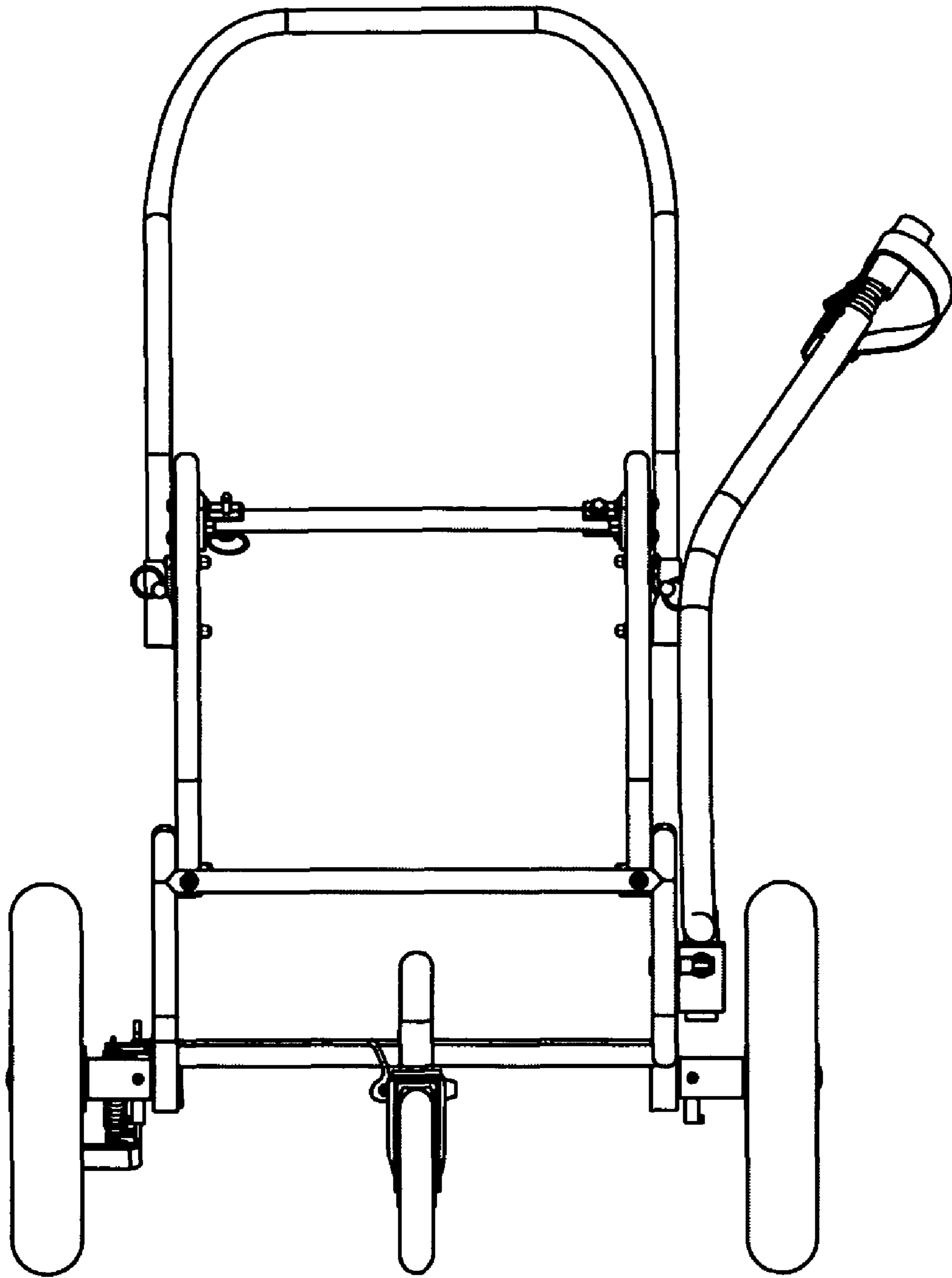


FIG. 6

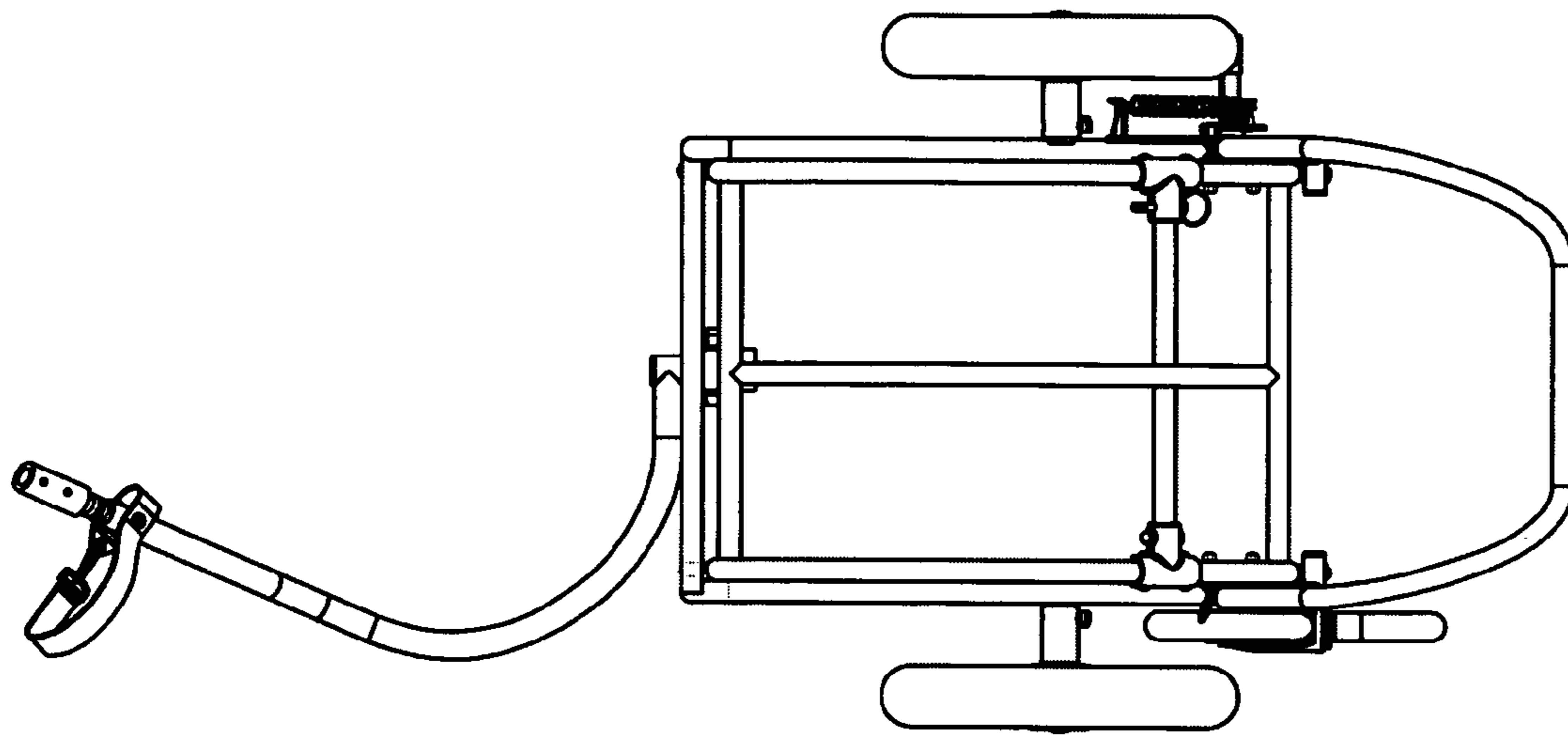


FIG. 7



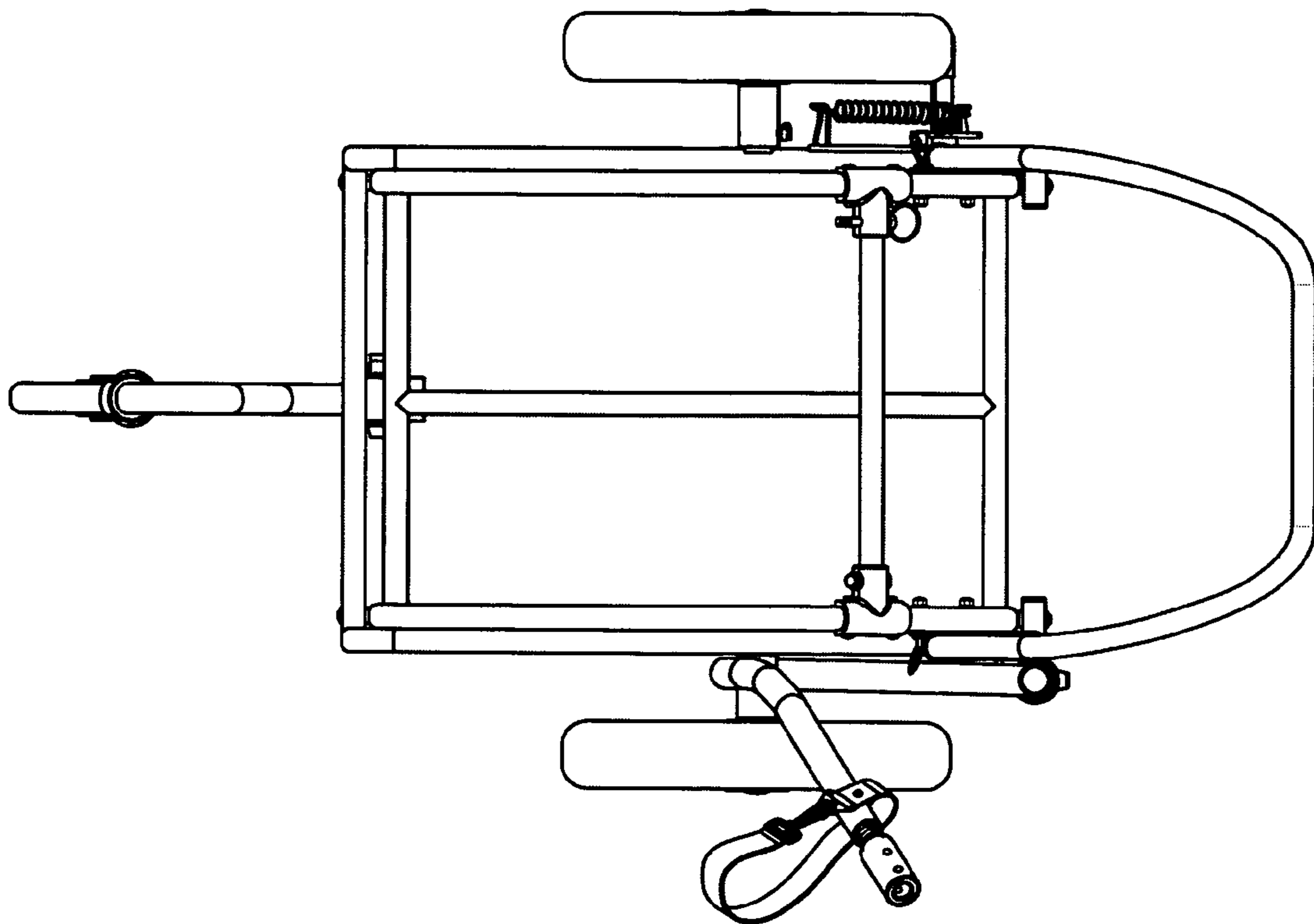


FIG. 8

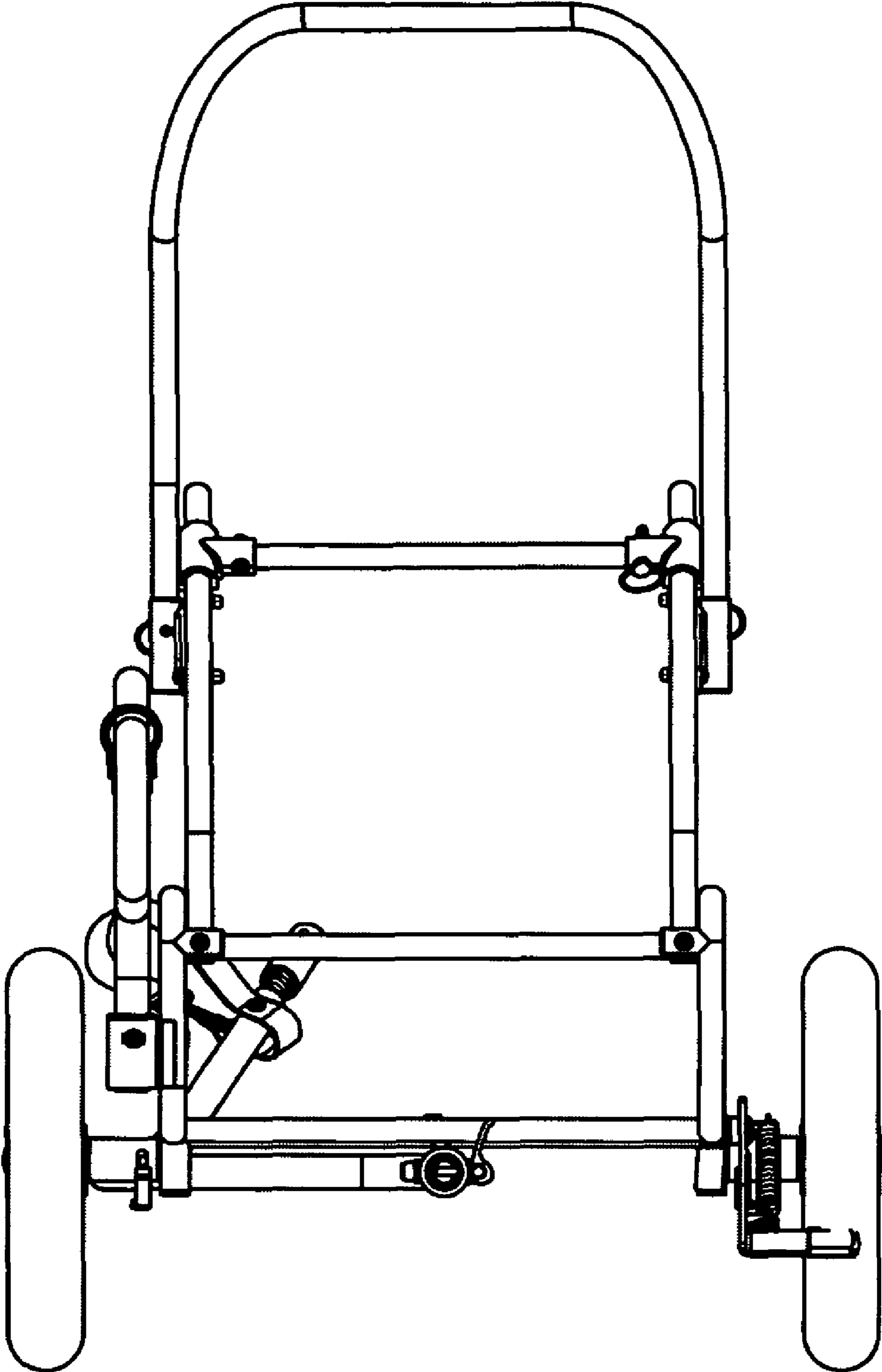


FIG. 9

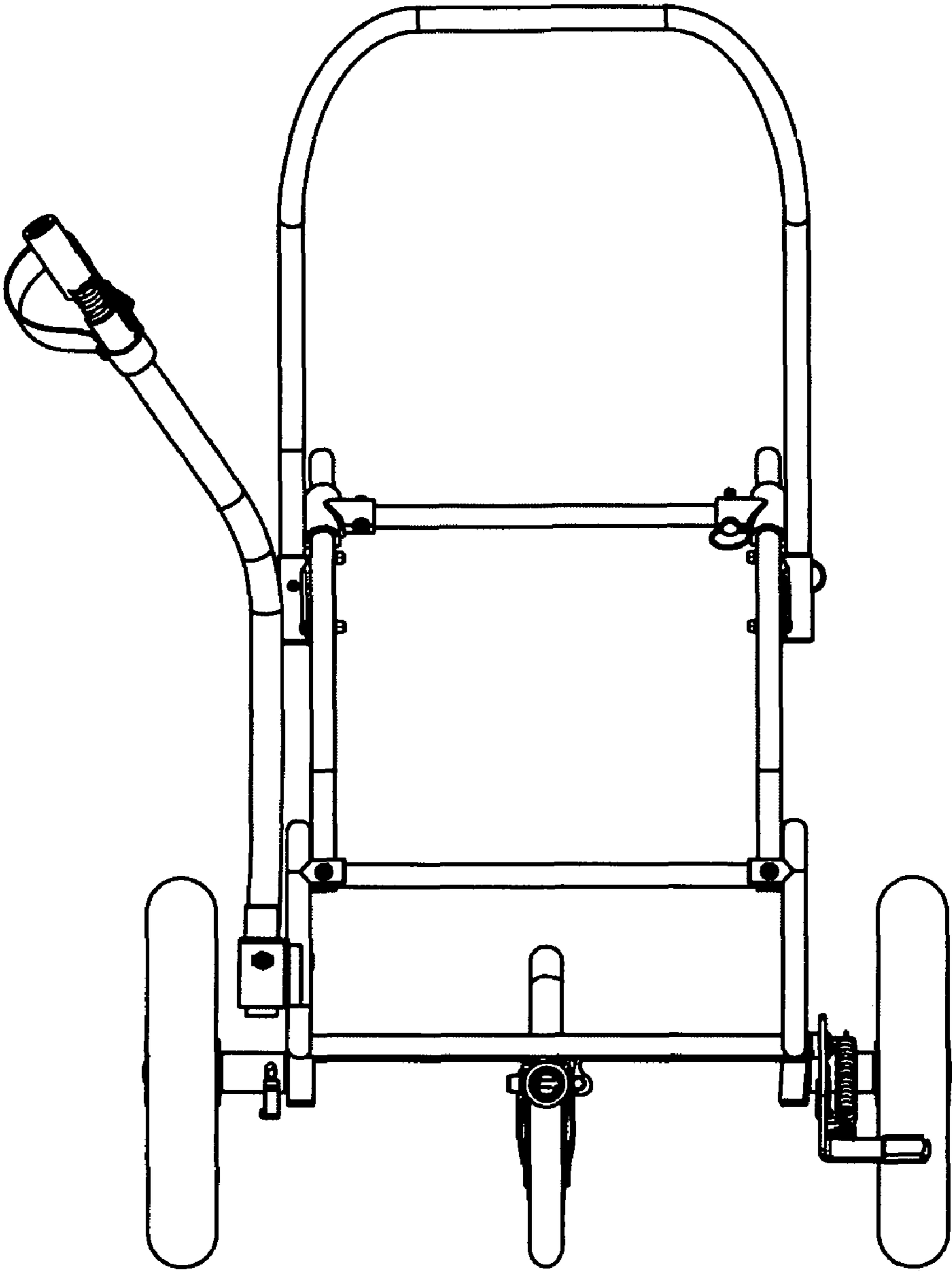


FIG. 10