



US00D633823S

(12) **United States Design Patent**  
**Matei et al.**

(10) **Patent No.:** **US D633,823 S**

(45) **Date of Patent:** **\*\* Mar. 8, 2011**

(54) **VEHICLE EXTERIOR**

(75) Inventors: **Catalin Matei**, Redondo Beach, CA (US); **Glenn Earl Simmons**, Torrance, CA (US); **Calvin Liu**, Huntington Beach, CA (US); **Roger Alan Brown**, Corona, CA (US)

(73) Assignee: **Honda Motor Co., Ltd.**, Tokyo (JP)

(\*\*) Term: **14 Years**

(21) Appl. No.: **29/363,626**

(22) Filed: **Jun. 11, 2010**

**Related U.S. Application Data**

(63) Continuation-in-part of application No. 29/355,682, filed on Feb. 11, 2010.

(51) **LOC (9) Cl.** ..... **12-08**

(52) **U.S. Cl.** ..... **D12/91**

(58) **Field of Classification Search** ..... D12/86,  
D12/90-92, 88; D21/424, 433, 434; 296/181.1,  
296/181.5

See application file for complete search history.

(56) **References Cited**

**U.S. PATENT DOCUMENTS**

D589,402 S \* 3/2009 Fujiyoshi et al. .... D12/91  
D591,202 S \* 4/2009 Ohhashi et al. .... D12/91  
D597,889 S \* 8/2009 Fujiyoshi et al. .... D12/91  
D598,325 S \* 8/2009 Kamimura et al. .... D12/91

D599,705 S \* 9/2009 Konaka et al. .... D12/91  
D601,454 S \* 10/2009 Kamimura et al. .... D12/91  
D608,695 S \* 1/2010 Burki et al. .... D12/91  
D613,645 S \* 4/2010 Song et al. .... D12/91  
D616,333 S \* 5/2010 Cartabiano et al. .... D12/91  
D619,501 S \* 7/2010 Mueller ..... D12/91  
D622,633 S \* 8/2010 Nakamura et al. .... D12/91  
D622,634 S \* 8/2010 Yamamoto et al. .... D12/91

\* cited by examiner

*Primary Examiner*—Melody N Brown

(74) *Attorney, Agent, or Firm*—Plumsea Law Group, LLC; Mark E. Duell

(57) **CLAIM**

The ornamental design for a vehicle exterior, as shown and described.

**DESCRIPTION**

FIG. 1 is a perspective view of a vehicle exterior showing our new design;

FIG. 2 is a rear perspective view thereof;

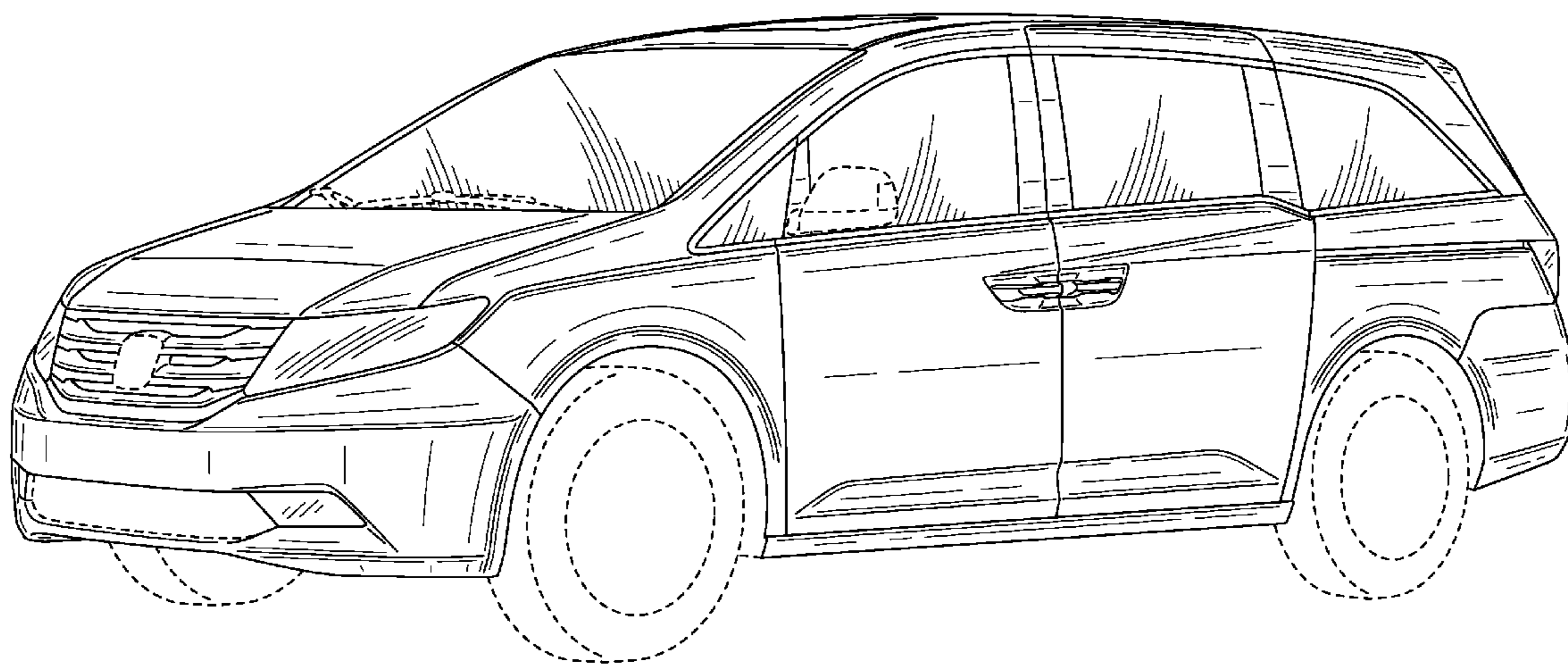
FIG. 3 is a side elevational view thereof, the opposite side being a mirror image;

FIG. 4 is a front elevational view thereof; and,

FIG. 5 is a rear elevational view thereof.

The broken line showings of the wheels, tires, rearview mirrors, wipers, geometric shapes on the front and rear form no part of the claimed design.

**1 Claim, 4 Drawing Sheets**



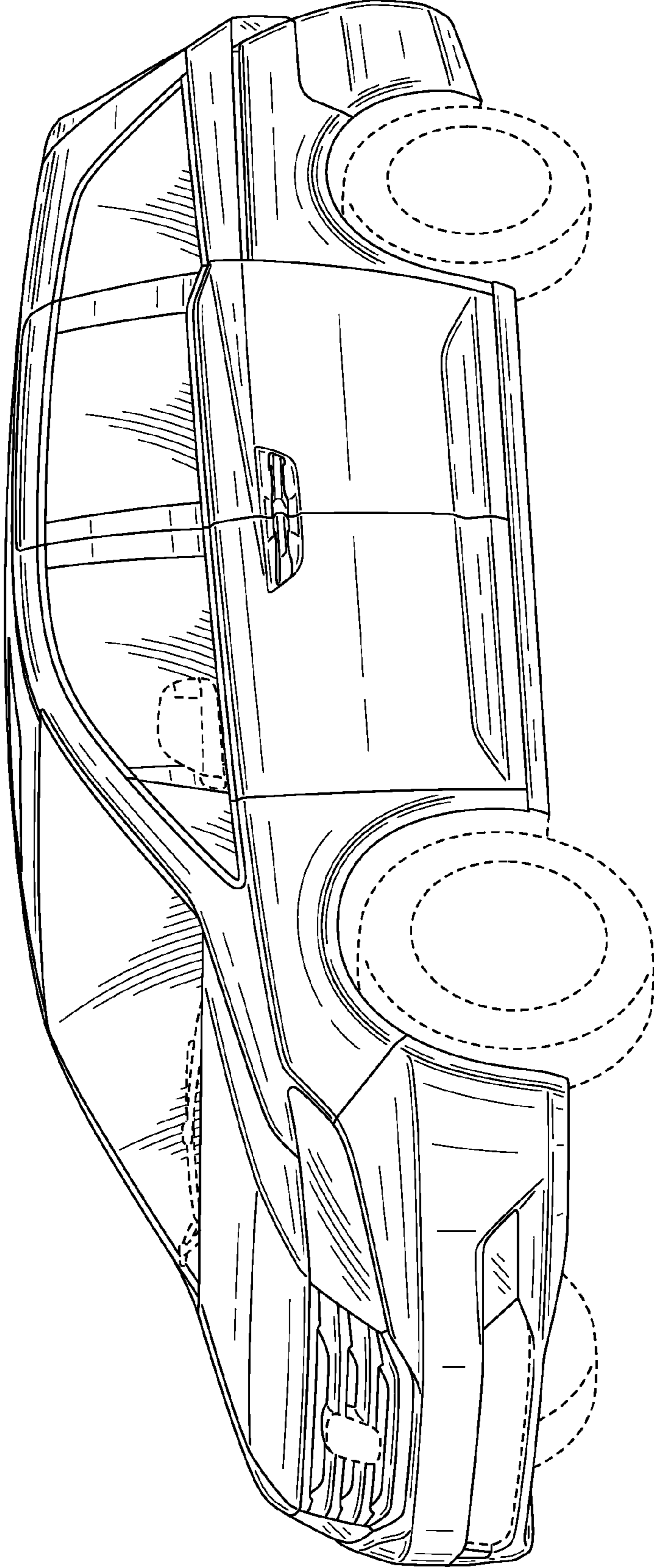


FIG. 1

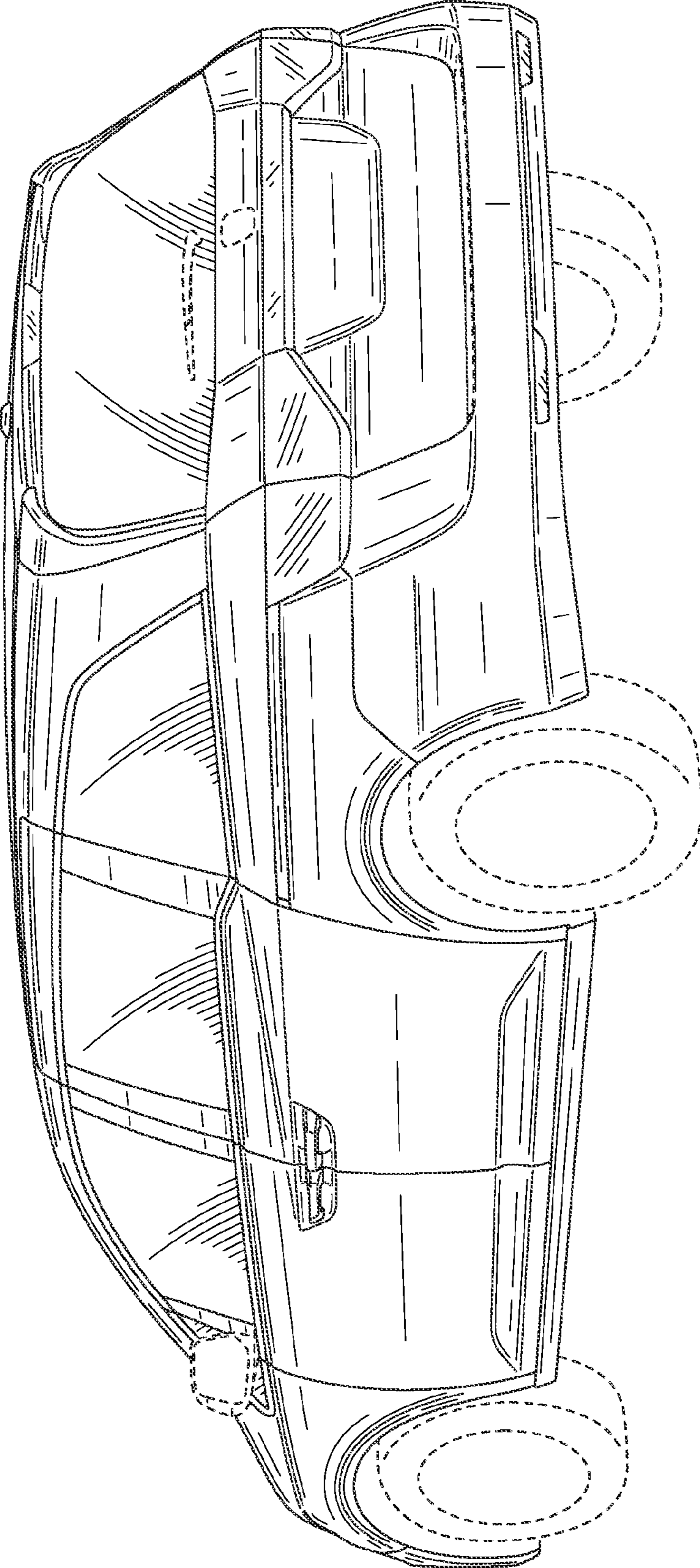


FIG. 2



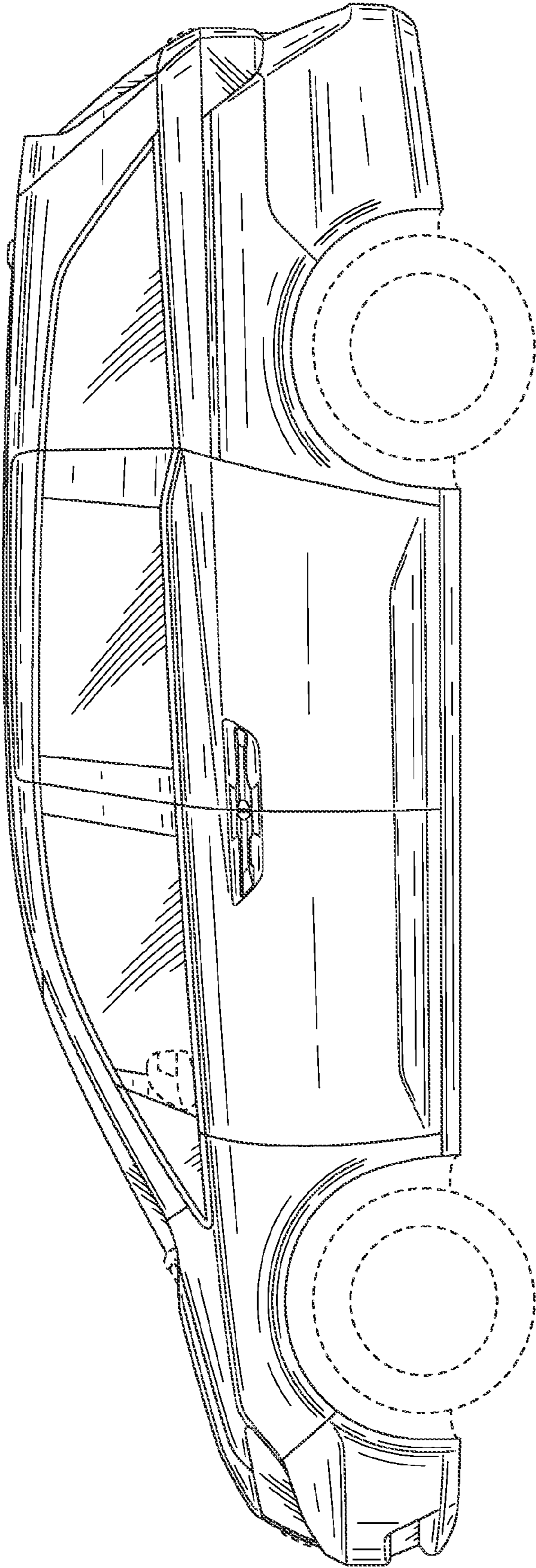


FIG. 3

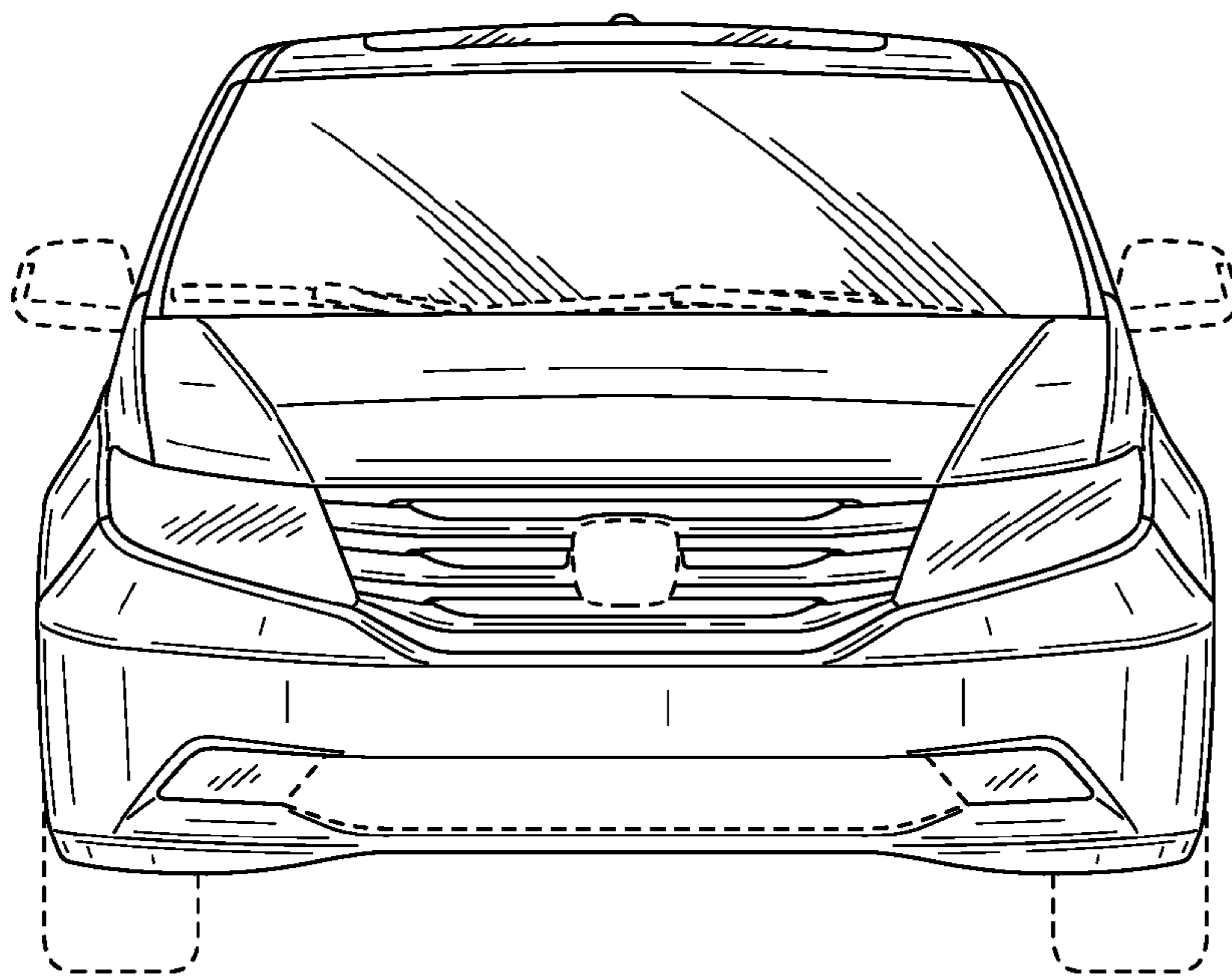


FIG. 4

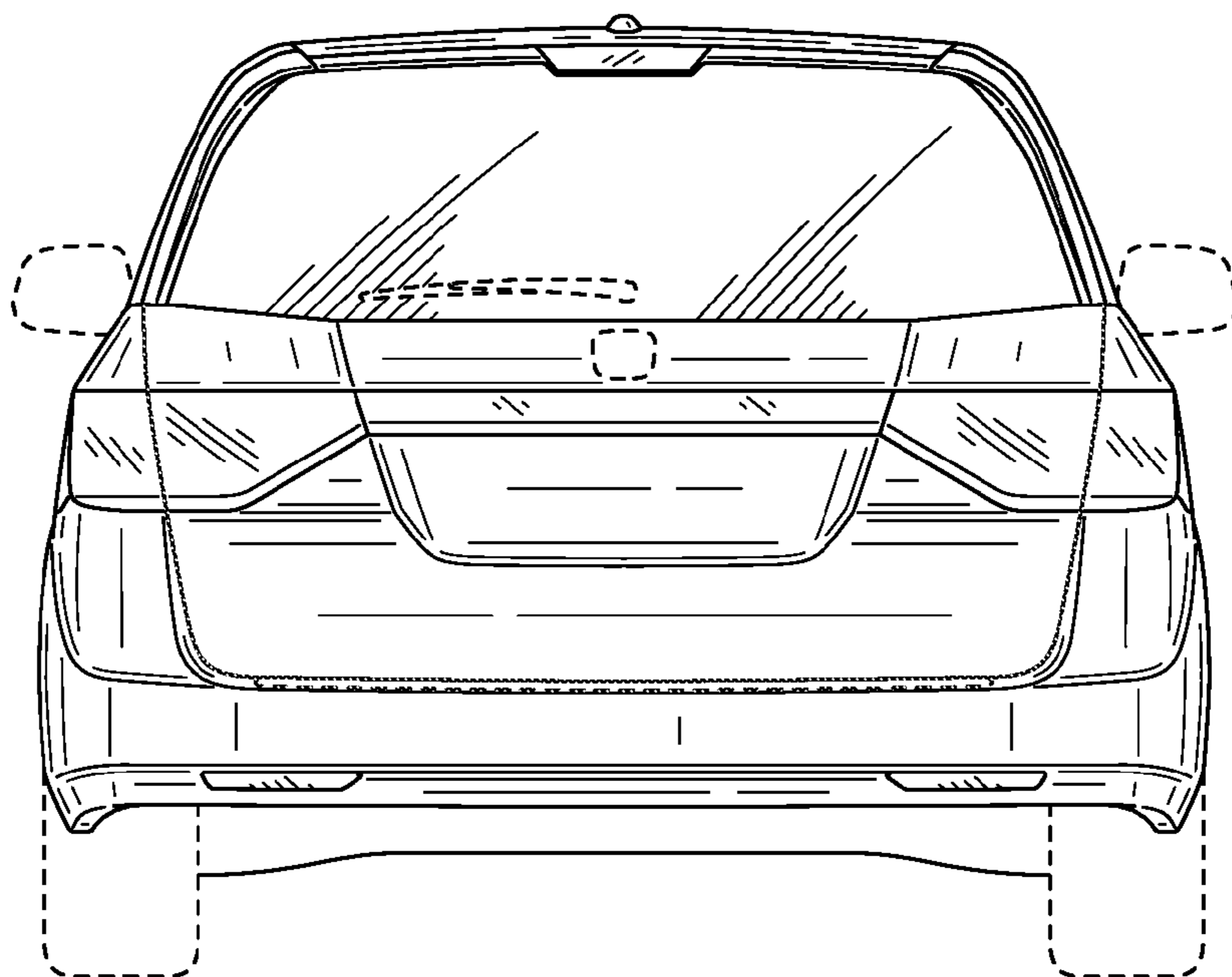


FIG. 5