



US00D633812S

(12) **United States Design Patent**  
**Yurman**

(10) **Patent No.:** **US D633,812 S**  
(45) **Date of Patent:** **\*\* Mar. 8, 2011**

(54) **WATCH CASE WITH BRACELET**

(75) Inventor: **David Yurman**, New York, NY (US)

(73) Assignee: **David Yurman SA**, La Chaux-de-Fonds (CH)

(\*\*) Term: **14 Years**

(21) Appl. No.: **29/377,544**

(22) Filed: **Oct. 22, 2010**

(51) **LOC (9) Cl.** ..... **10-02**

(52) **U.S. Cl.** ..... **D10/32**

(58) **Field of Classification Search** ..... D10/30-39,  
D10/122-132; 368/276, 281, 282, 285; D11/3,  
D11/12

See application file for complete search history.

(56) **References Cited**

**U.S. PATENT DOCUMENTS**

2,189,096	A *	2/1940	Alonge	.....	224/170
2,472,351	A *	6/1949	Tyler	.....	368/282
D327,021	S *	6/1992	Burgener	.....	D10/32
5,228,012	A *	7/1993	Seager	.....	368/10
D386,420	S *	11/1997	Kennedy	.....	D10/30
D387,289	S *	12/1997	Houlihan	.....	D10/30
D388,333	S *	12/1997	Wunderman	.....	D10/32
D396,651	S *	8/1998	Wunderman	.....	D10/32
D430,495	S *	9/2000	Wunderman	.....	D10/32
D441,305	S *	5/2001	Modolo	.....	D10/32
D441,664	S *	5/2001	Modolo	.....	D10/32
D473,473	S *	4/2003	Wunderman	.....	D10/32
D473,474	S *	4/2003	Wunderman	.....	D10/32
D487,229	S *	3/2004	Monachon	.....	D10/32
D496,591	S *	9/2004	Yurman	.....	D10/32

D497,111	S *	10/2004	Modolo	.....	D10/32
D518,743	S *	4/2006	Sugiura et al.	.....	D10/32
D519,854	S *	5/2006	Modolo	.....	D10/32
D527,284	S *	8/2006	Buccellati	.....	D10/38
D538,182	S *	3/2007	Lalo	.....	D10/32
D551,095	S *	9/2007	Monachon	.....	D10/32
D558,611	S *	1/2008	Wei	.....	D10/38
D560,515	S *	1/2008	Finazzi	.....	D10/39
D565,428	S *	4/2008	Wunderman	.....	D10/32
D572,608	S *	7/2008	Behling	.....	D10/32
D574,733	S *	8/2008	Blair	.....	D10/32
D578,023	S *	10/2008	Rochat	.....	D10/32
D608,223	S *	1/2010	Salanitro	.....	D10/38
D624,443	S *	9/2010	Cerrato	.....	D10/38
D628,911	S *	12/2010	Giannini	.....	D10/32

\* cited by examiner

*Primary Examiner*—Lucy Lieberman

(74) *Attorney, Agent, or Firm*—McCarter & English, LLP

(57) **CLAIM**

The ornamental design for a watch case with bracelet, as shown.

**DESCRIPTION**

FIG. 1 is a perspective view of a watch case with bracelet showing my new design;

FIG. 2 shows a top plan view thereof;

FIG. 3 shows a bottom plan view thereof;

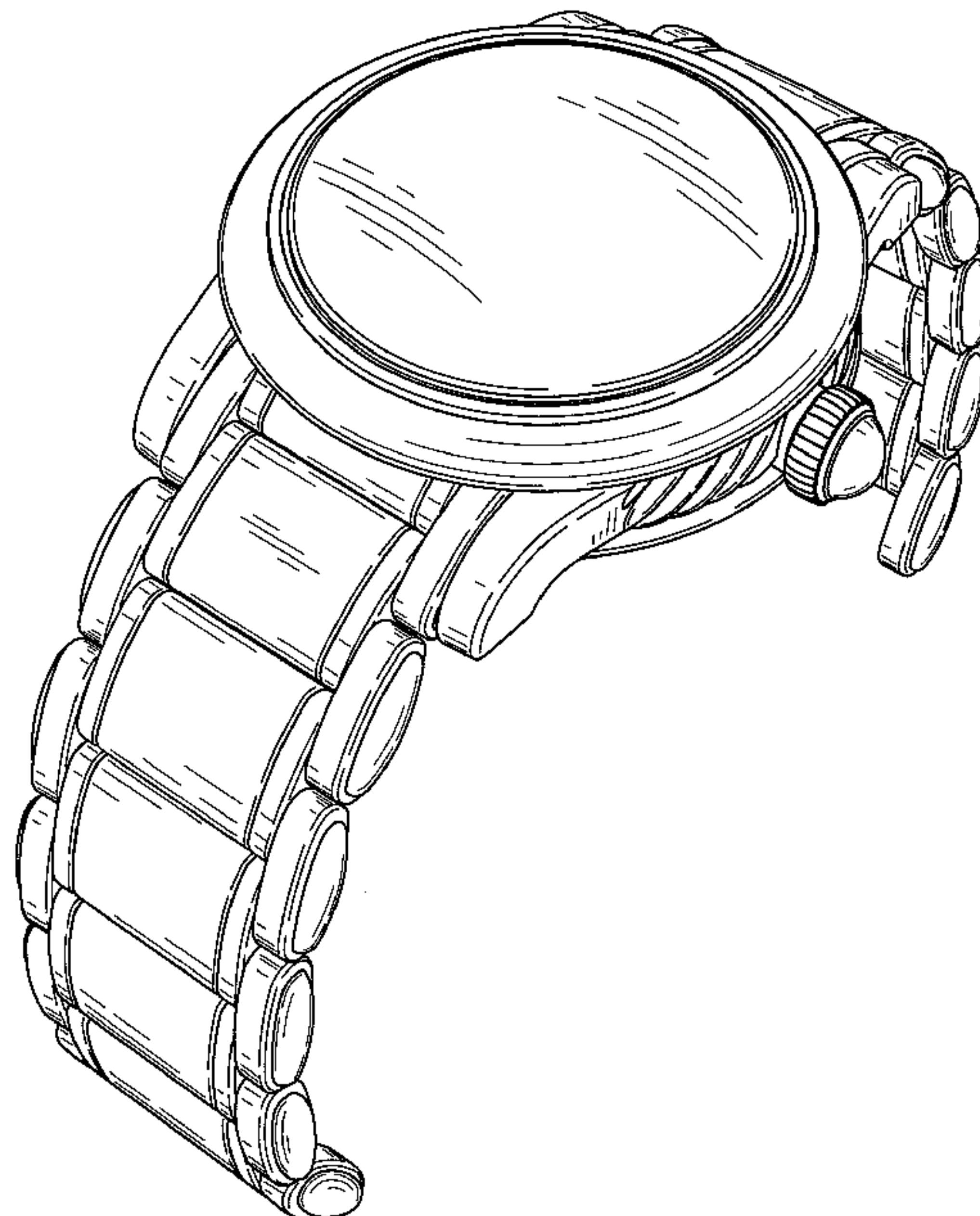
FIG. 4 shows a front elevational view thereof;

FIG. 5 shows a rear elevational view thereof;

FIG. 6 shows a right side elevational view thereof; and,

FIG. 7 shows a left side elevational view thereof.

**1 Claim, 4 Drawing Sheets**



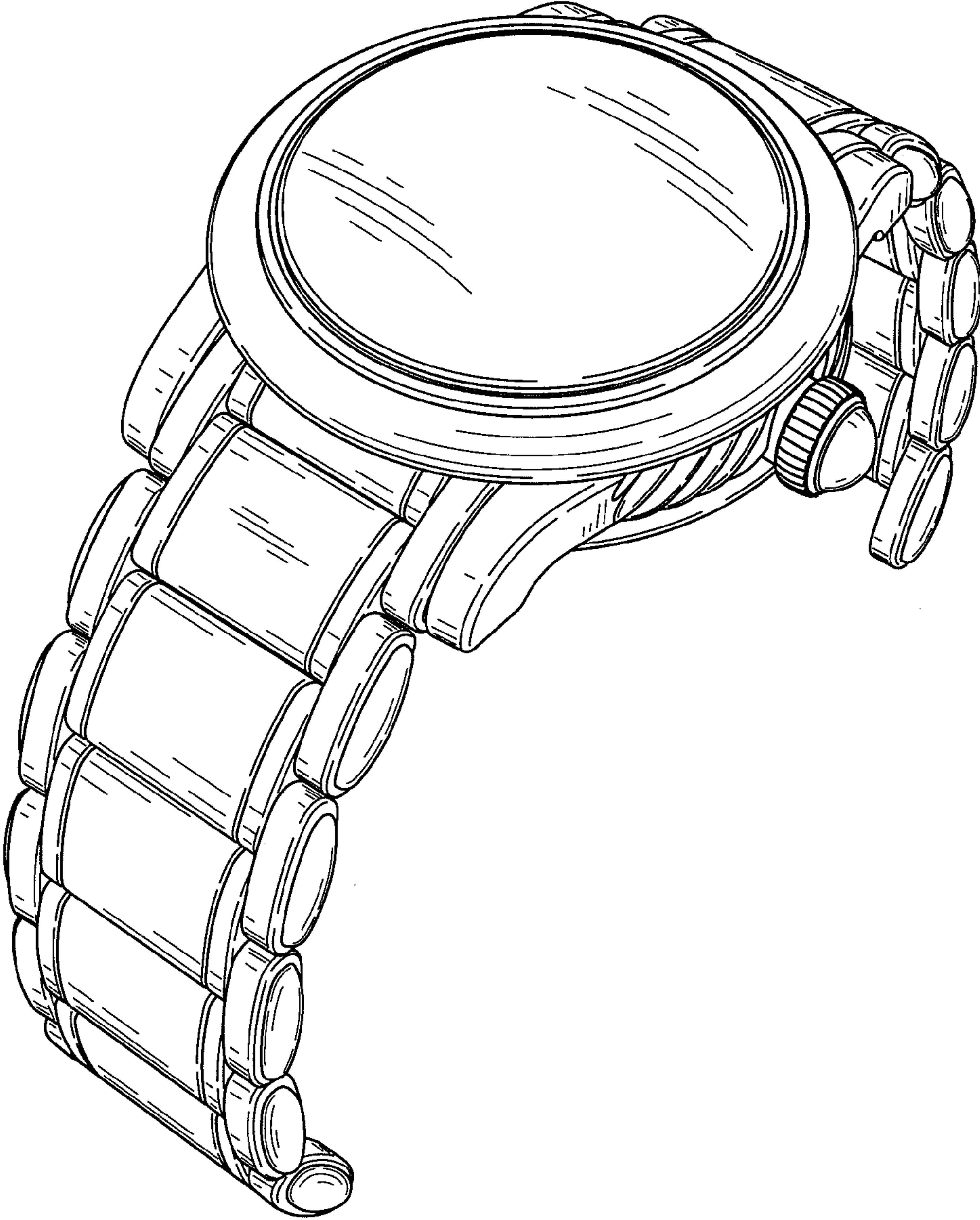


FIG. 1

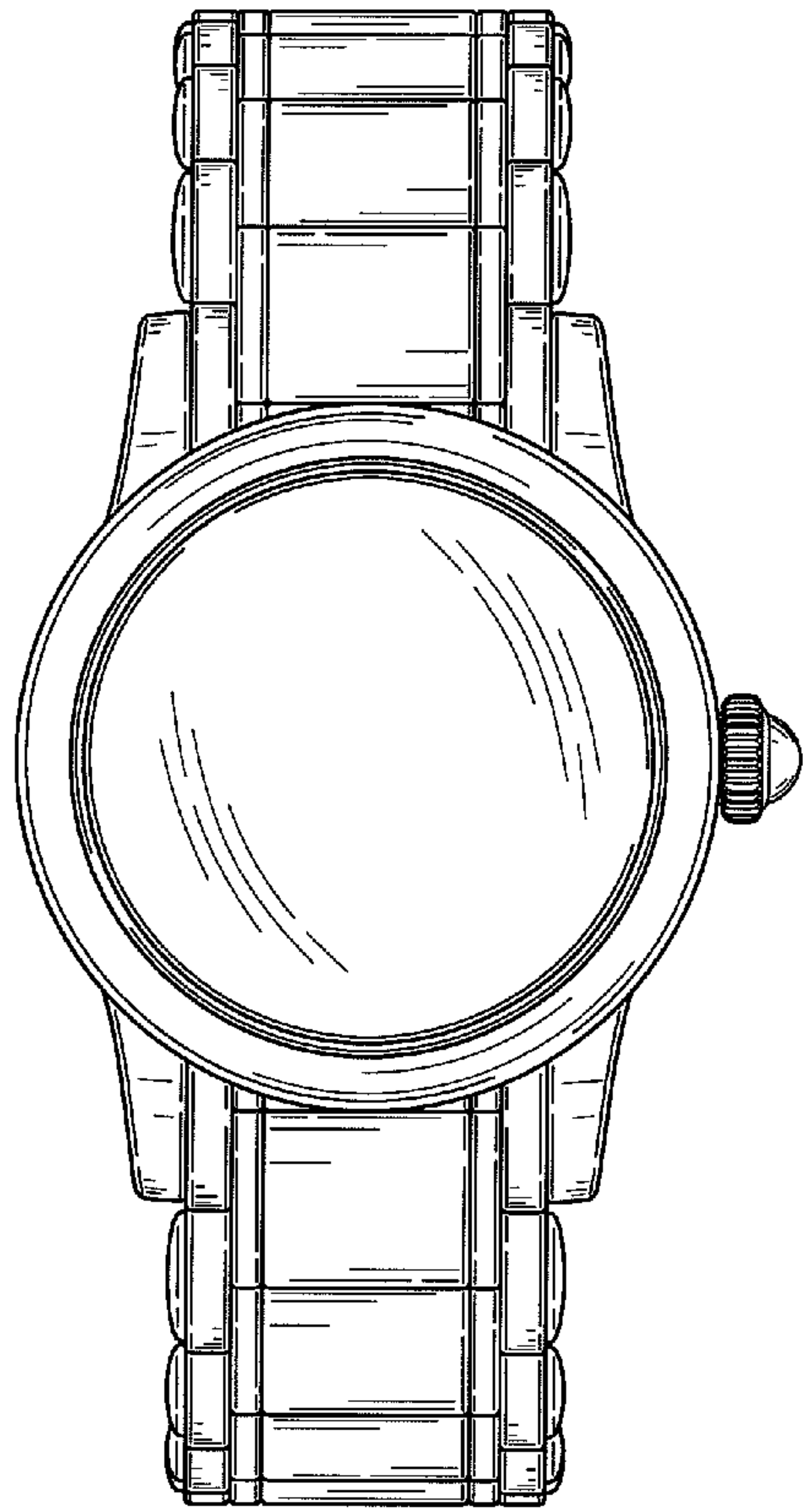


FIG. 2

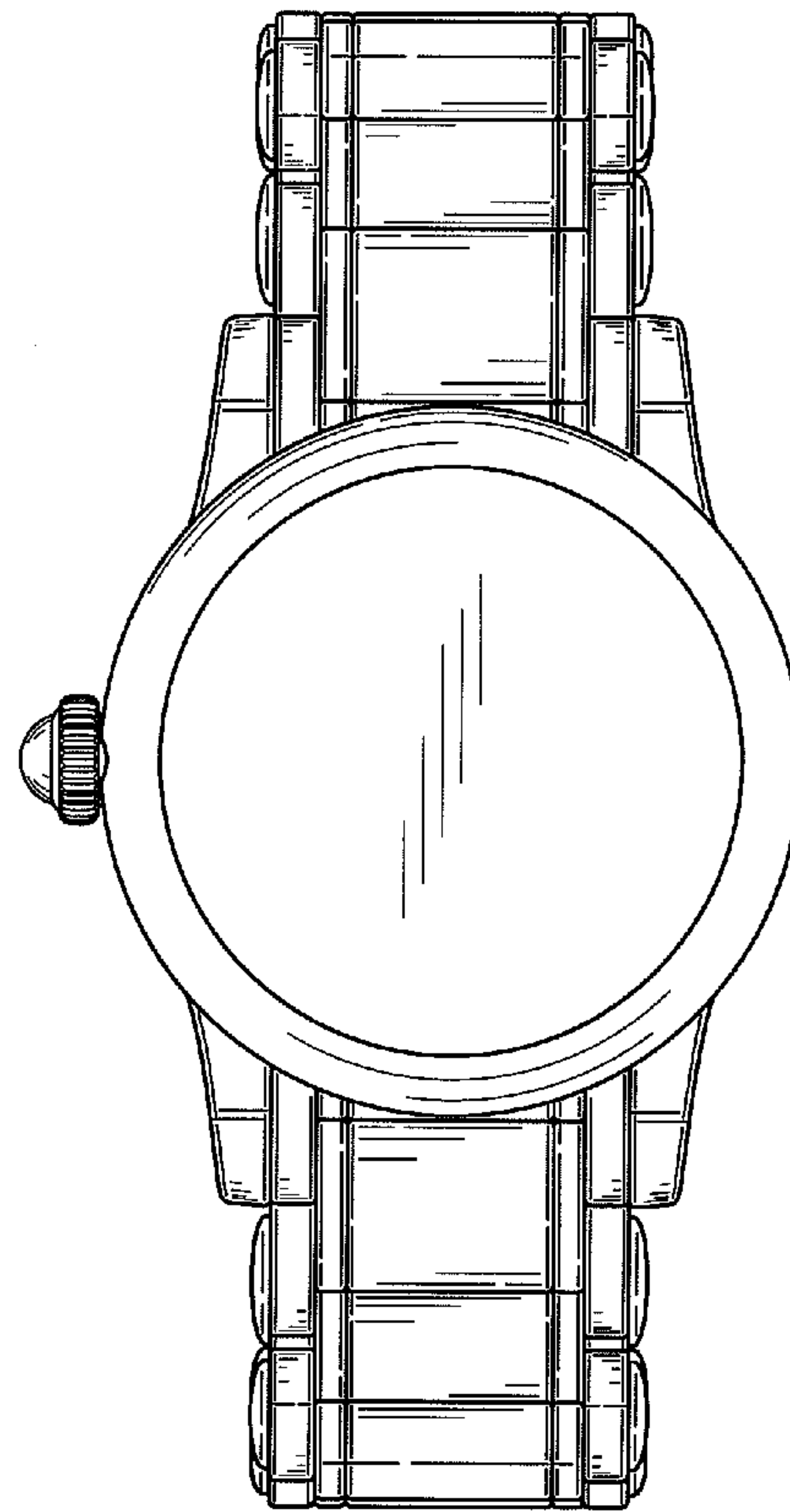


FIG. 3

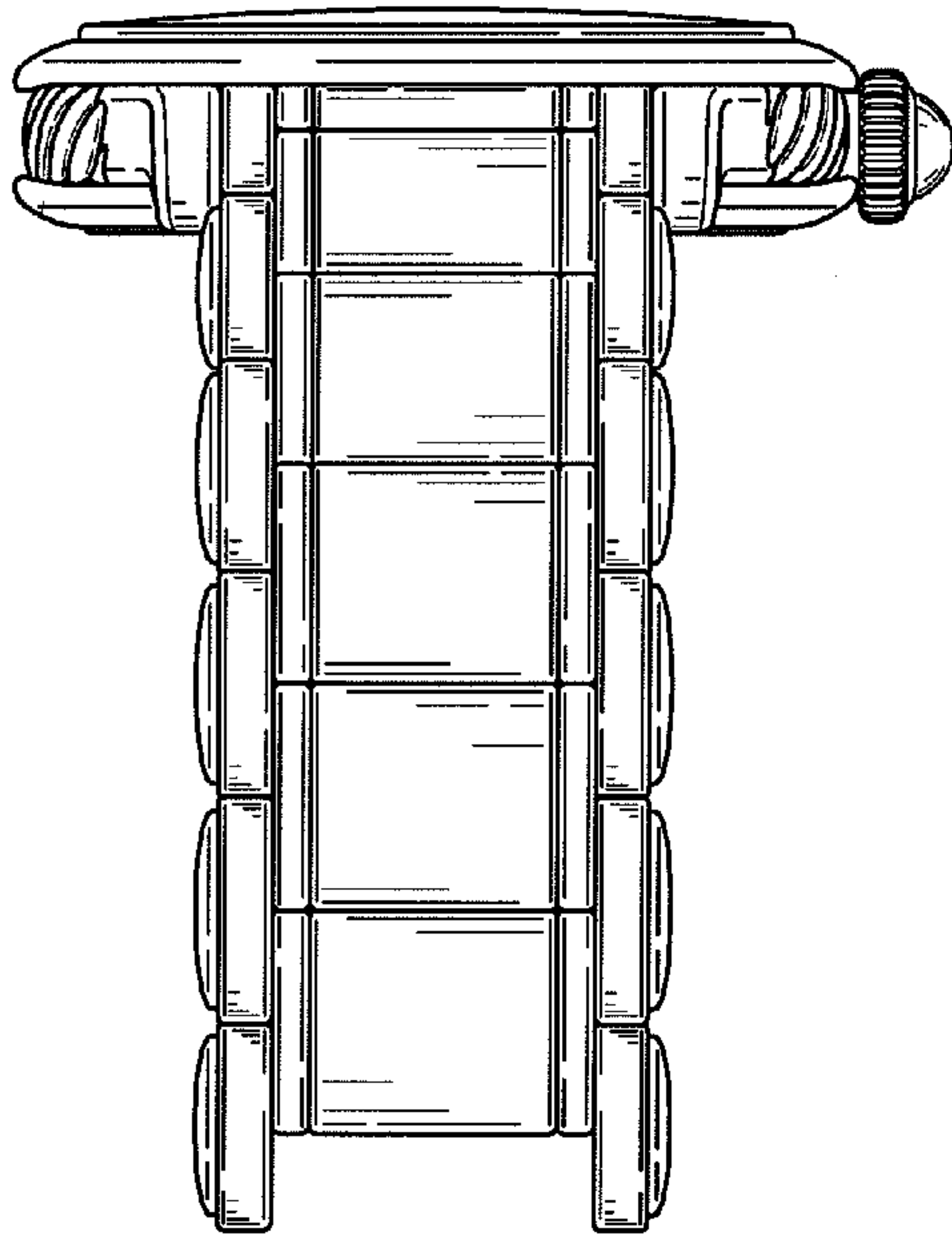


FIG. 4

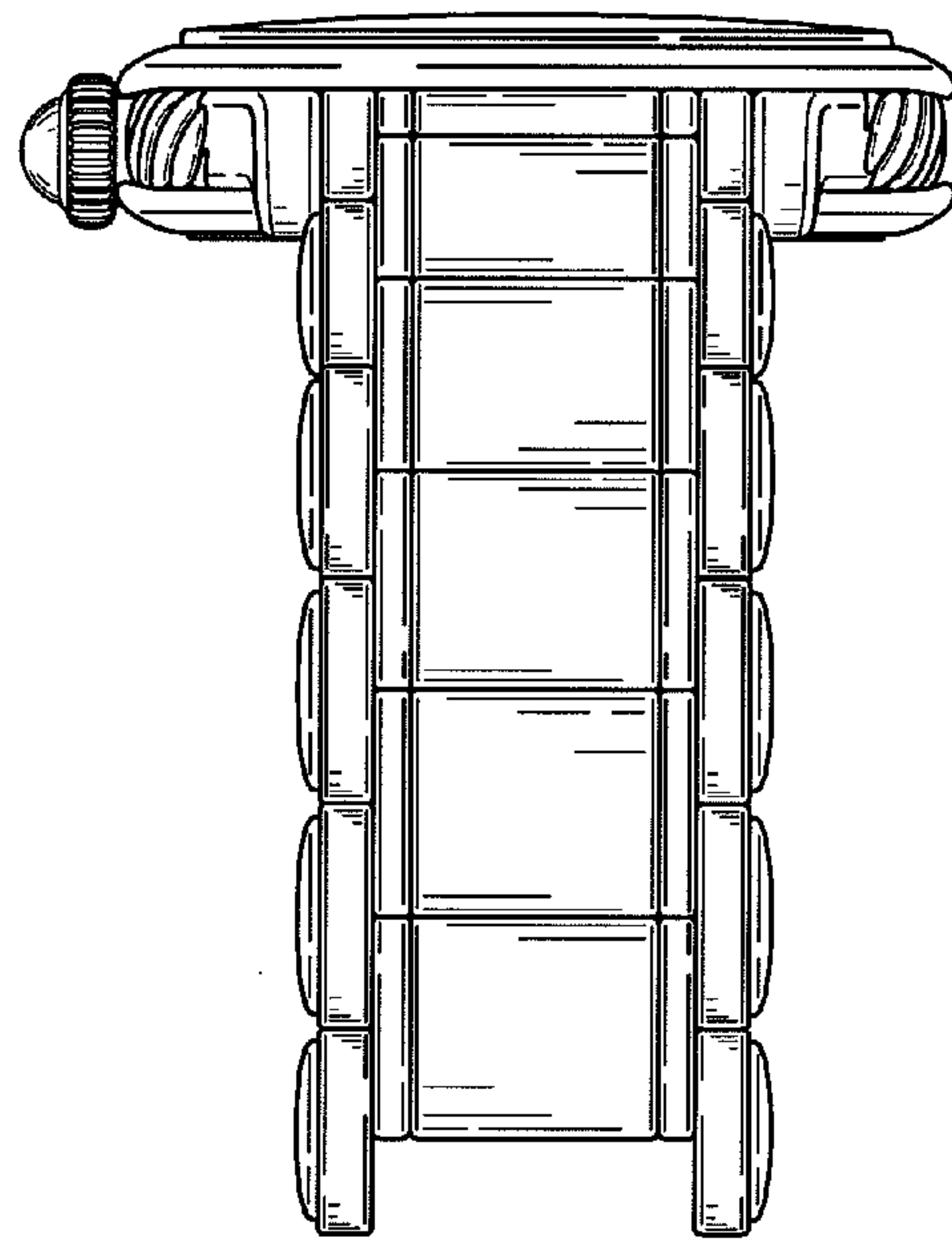


FIG. 5



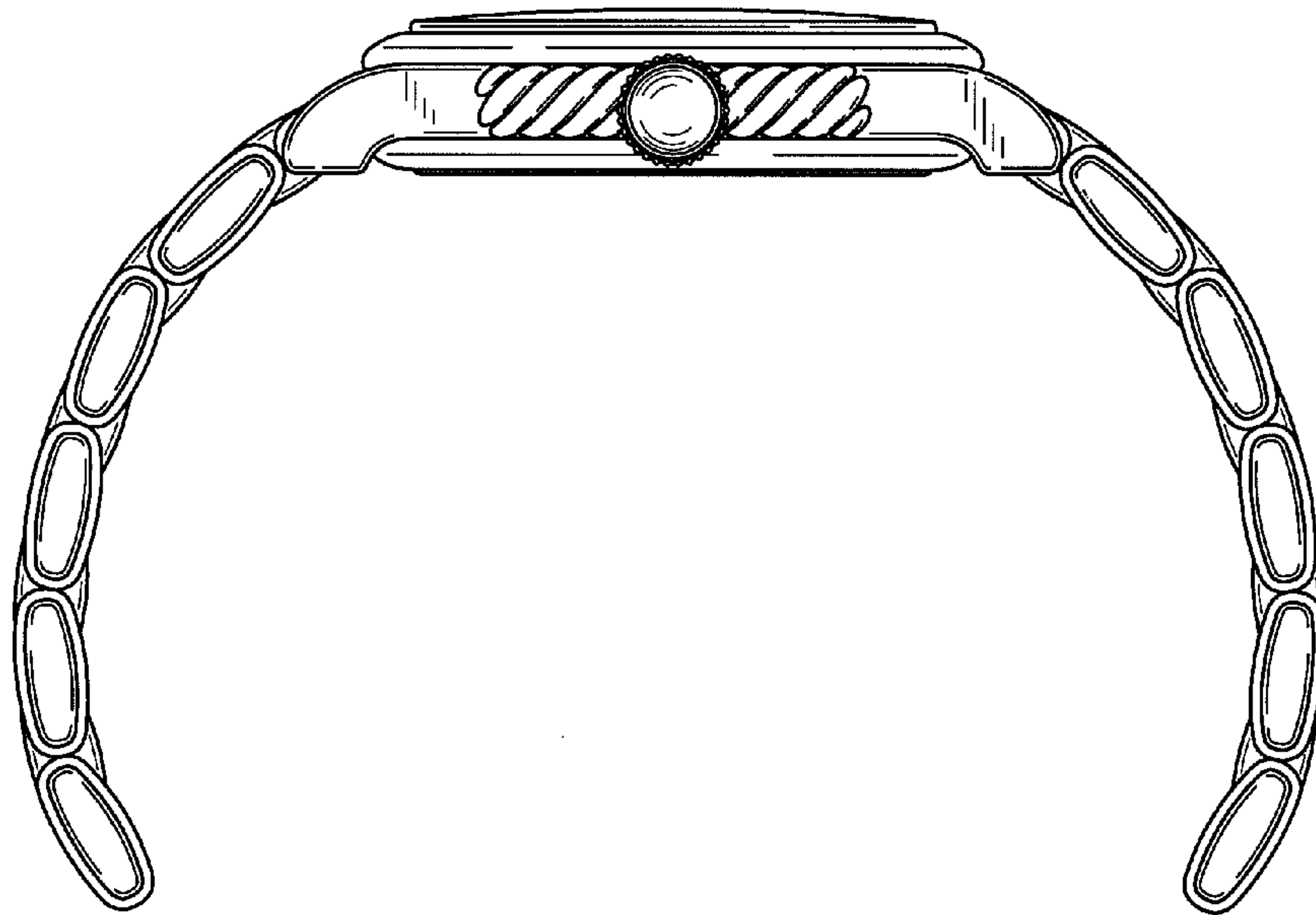


FIG. 6

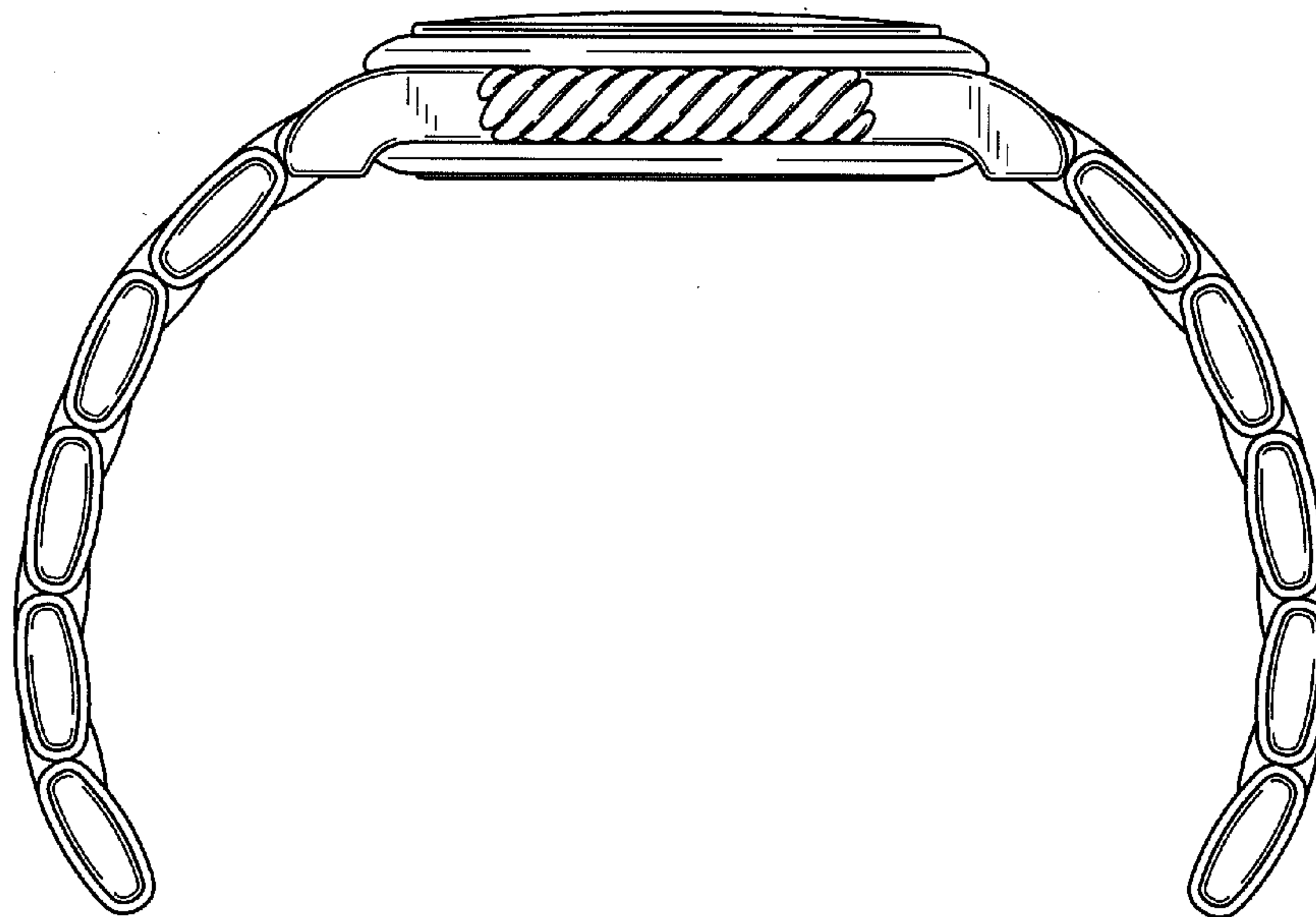


FIG. 7