



US00D633808S

(12) **United States Design Patent**
Titherington

(10) **Patent No.:** **US D633,808 S**

(45) **Date of Patent:** **** Mar. 8, 2011**

(54) **BOTTLE CAP**

(76) Inventor: **Philip D. Titherington**, Peru, NY (US)

(**) Term: **14 Years**

(21) Appl. No.: **29/380,141**

(22) Filed: **Dec. 1, 2010**

Related U.S. Application Data

(63) Continuation of application No. 12/689,882, filed on Jan. 19, 2010.

(51) **LOC (9) Cl.** **09-01**

(52) **U.S. Cl.** **D9/667; D9/503; D9/453**

(58) **Field of Classification Search** D9/600,
D9/667, 500-504, 443, 451, 453; 206/457,
206/458, 527; 215/400; 220/890

See application file for complete search history.

(56) **References Cited**

U.S. PATENT DOCUMENTS

3,381,845	A *	5/1968	MacDonald	D9/503
D270,521	S	9/1983	Morris		
D354,914	S *	1/1995	Newman	D9/503
5,381,912	A	1/1995	Walker et al.		
D357,865	S *	5/1995	Hansen	D9/503
D359,910	S *	7/1995	Hirsch	D9/548
5,449,077	A	9/1995	Seidler		
D399,743	S *	10/1998	Coon et al.	D9/443
D404,303	S *	1/1999	Webster	D9/443
D408,292	S *	4/1999	Gundlach et al.	D9/503
6,253,942	B1	7/2001	Elias		
D470,051	S *	2/2003	Bloom et al.	D9/443
D476,563	S *	7/2003	Brozell et al.	D9/443
D477,224	S *	7/2003	Hussain	D9/453
D481,948	S *	11/2003	Brozell et al.	D9/453
D491,063	S	6/2004	Hicks et al.		
D542,133	S *	5/2007	Haber et al.	D9/453
D586,213	S *	2/2009	Wells et al.	D9/453

D607,326	S *	1/2010	Branson et al.	D9/453
D613,161	S *	4/2010	Greenfield	D9/443
D618,099	S *	6/2010	Biesecker et al.	D9/453
D626,417	S *	11/2010	Kim	D9/503
2003/0136753	A1	7/2003	Biesecker et al.		
2007/0199912	A1	8/2007	Libohova et al.		

FOREIGN PATENT DOCUMENTS

WO	WO 0303086894	A1	10/2003
WO	WO 2004413856	A1	12/2004
WO	WO 2009018263	A1	2/2009
WO	WO 2009050457	A1	4/2009

OTHER PUBLICATIONS

Rexam, Oral, Safeguarding Dry Forms With Care, 2009 FIGs on p. 3-4. Additional publication information unknown. <http://www.rexam.com/sectors/files/pdf/Brochures/oral.pdf>.
<http://www.pumpking.com/child-resistant-caps.htm>.
<http://www.kaufmancontainer.com/products/stock/closures/child.asp>.
http://www.pennbottle.com/Child_Resistant_Cont_Thread.htm.

* cited by examiner

Primary Examiner — Sandra Morris

(74) *Attorney, Agent, or Firm* — Kevin H. Fortin

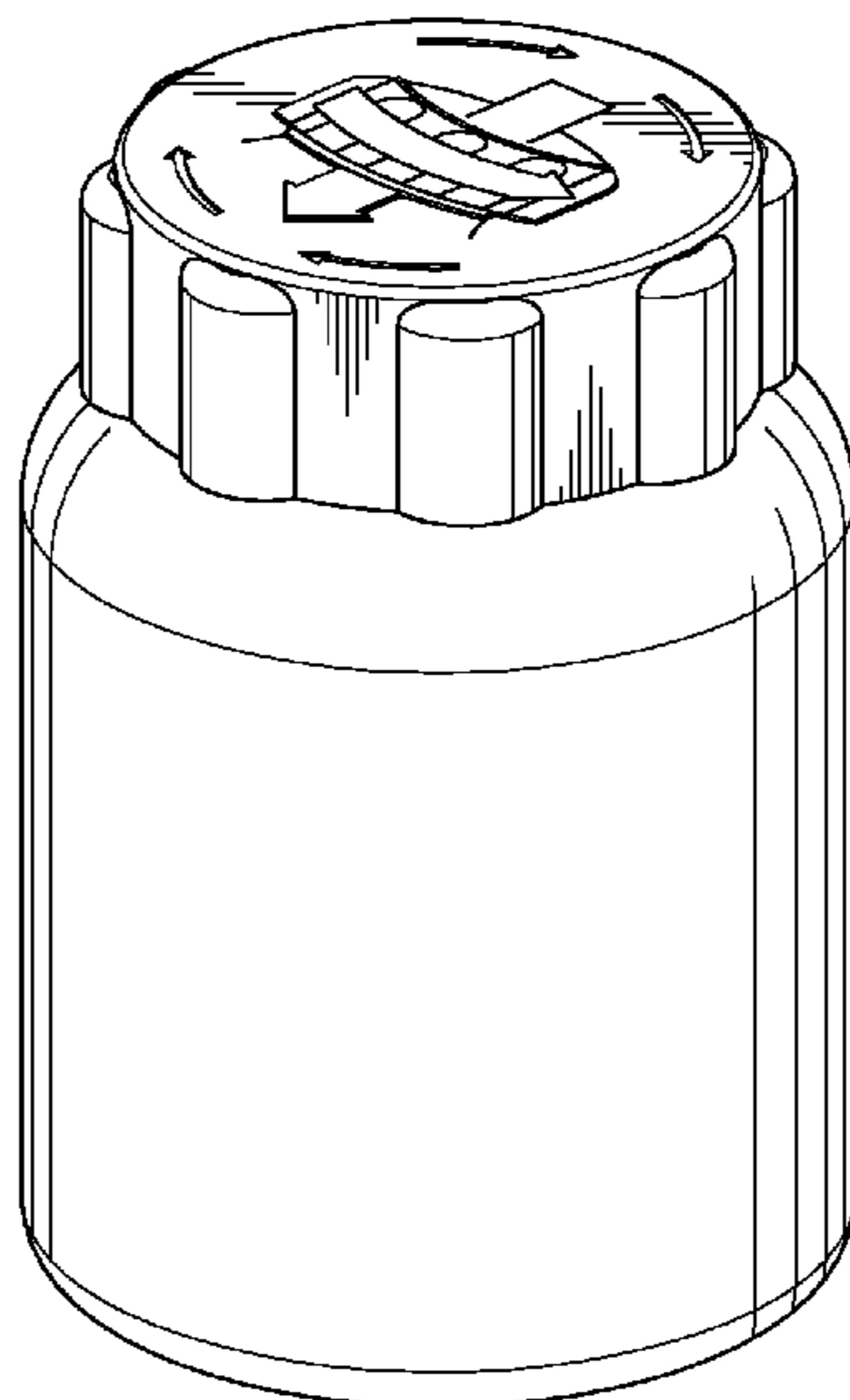
(57) **CLAIM**

The ornamental design of a bottle cap, as shown and described.

DESCRIPTION

FIG. 1 is a perspective view of a bottle cap on a bottle in accordance with my design;
FIG. 2 is a perspective view of the bottle cap thereof.
FIG. 3 is a side view of the bottle cap on a bottle; and,
FIG. 4 is a top view of the bottle cap.

1 Claim, 2 Drawing Sheets



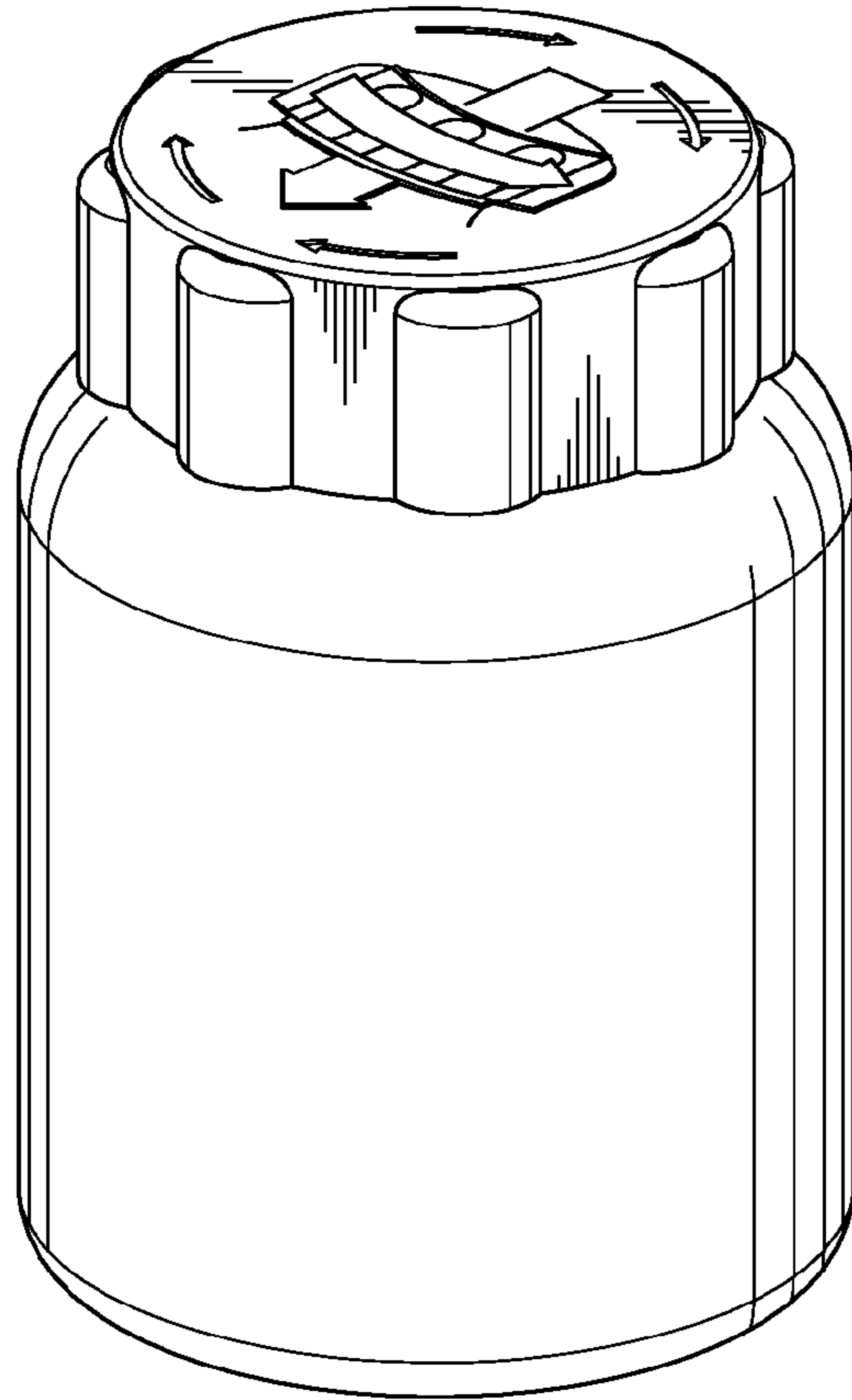


FIG. 1

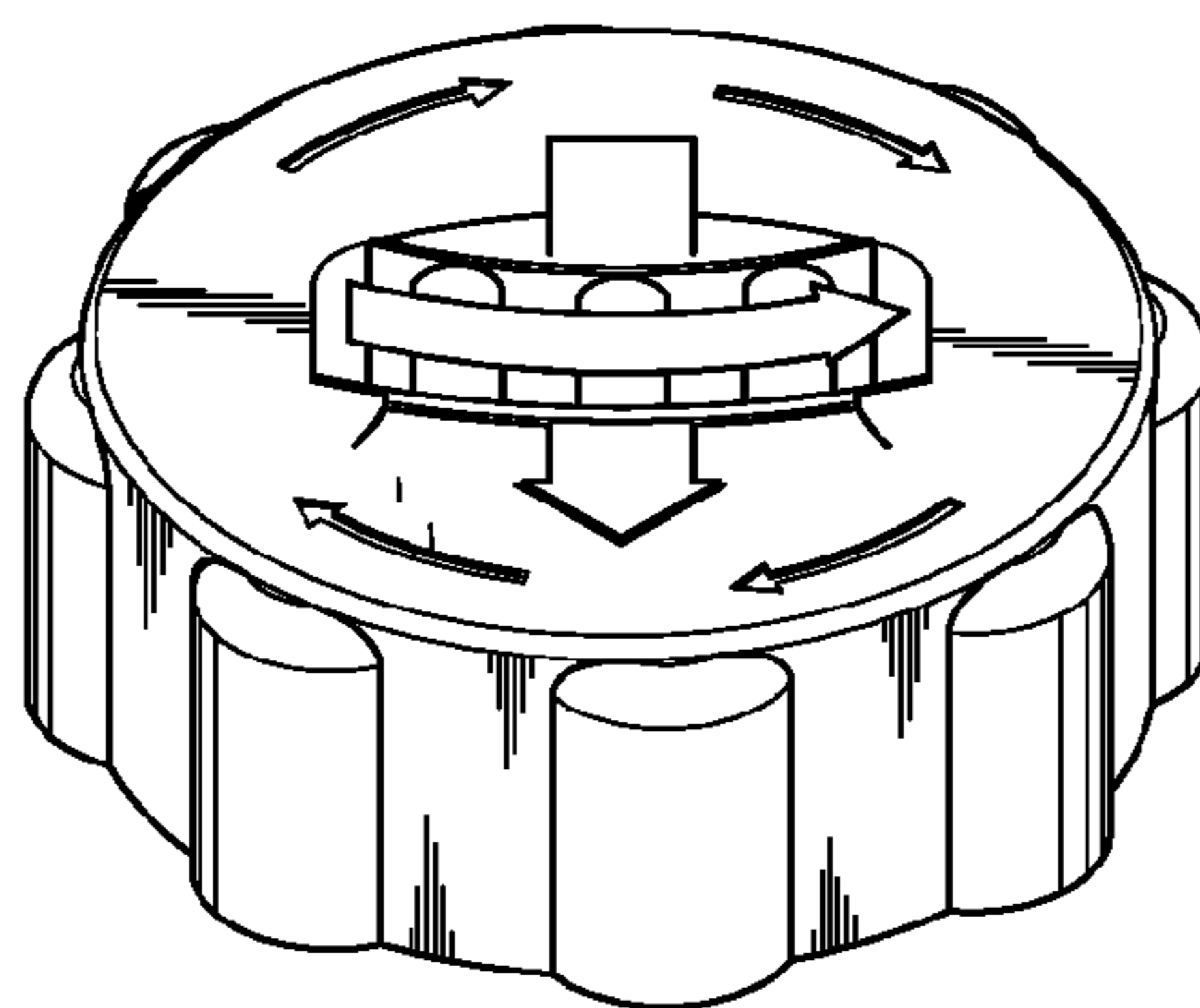


FIG. 2

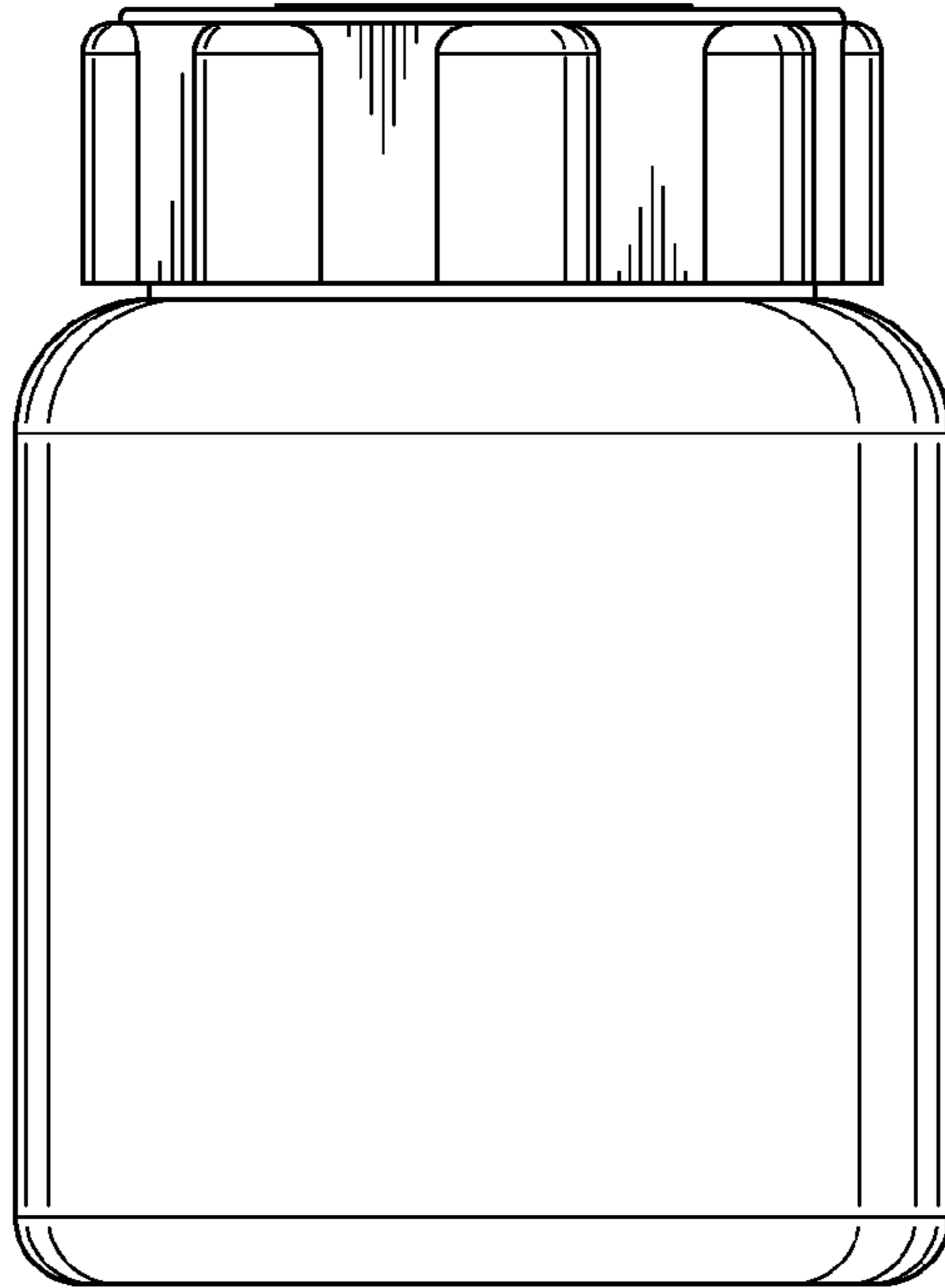


FIG. 3

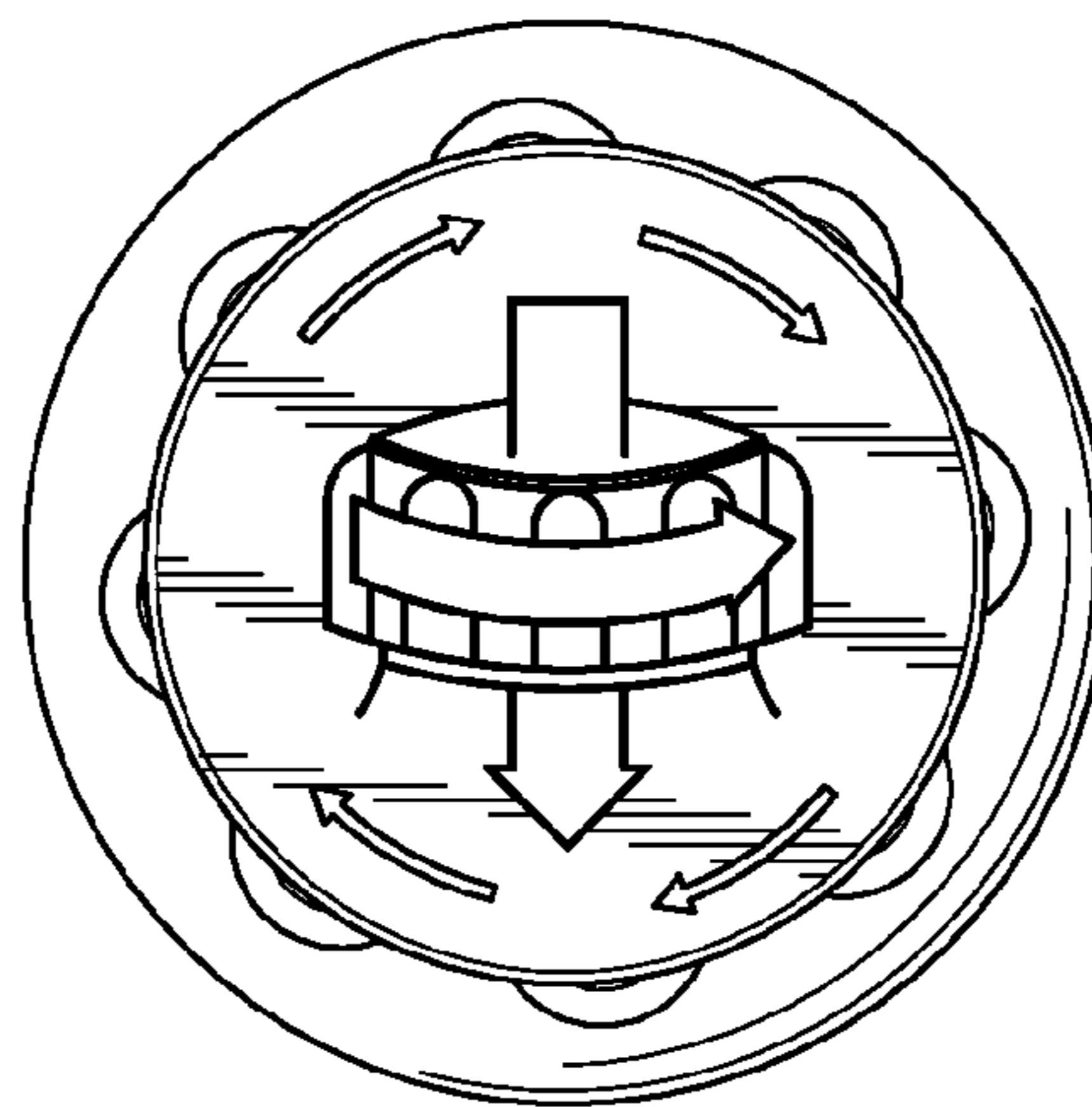


FIG. 4