



US00D633803S

(12) **United States Design Patent**
Murphy

(10) **Patent No.:** **US D633,803 S**
(45) **Date of Patent:** **** Mar. 8, 2011**

(54) **CONTAINER BOTTOM**

(75) Inventor: **Michael D. Murphy**, Evergreen Park, IL (US)

(73) Assignee: **Tricorbraun Inc.**, St. Louis, MO (US)

(**) Term: **14 Years**

(21) Appl. No.: **29/365,293**

(22) Filed: **Jul. 7, 2010**

(51) **LOC (9) Cl.** **09-01**

(52) **U.S. Cl.** **D9/516; D9/520**

(58) **Field of Classification Search** D9/500,
D9/516, 520, 545, 546, 549, 552, 558, 574,
D9/575; 215/379, 381–385; 220/660, 675,
220/669

See application file for complete search history.

(56) **References Cited**

U.S. PATENT DOCUMENTS

2,541,065	A *	2/1951	Jabour	220/581
3,038,627	A *	6/1962	Daley	220/581
D222,851	S *	1/1972	Adomatis	D9/501
5,024,340	A *	6/1991	Alberghini et al.	215/375
D327,845	S *	7/1992	Behm et al.	D9/434
D330,330	S *	10/1992	Behm et al.	D9/434
5,427,258	A *	6/1995	Krishnakumar et al.	215/400
D376,316	S *	12/1996	Lynn et al.	D9/434
D451,808	S *	12/2001	Darr et al.	D9/520
D454,498	S *	3/2002	Darr et al.	D9/520
D459,658	S *	7/2002	Darr et al.	D9/520
D461,413	S *	8/2002	Darr et al.	D9/520
D465,158	S *	11/2002	Peek et al.	D9/538
D476,896	S *	7/2003	Cheng et al.	D9/520
D530,615	S *	10/2006	Darr et al.	D9/516
D546,687	S *	7/2007	Boukobza	D9/516
D547,186	S *	7/2007	Boukobza	D9/516

D551,080	S *	9/2007	Pedmo et al.	D9/516
D557,138	S *	12/2007	Boukobza	D9/520
D570,217	S *	6/2008	Meillerais	D9/502
D573,023	S *	7/2008	Pivert	D9/500
D582,775	S *	12/2008	Pedmo et al.	D9/516
D595,581	S *	7/2009	Brunson	D9/520
D599,208	S *	9/2009	Kissinger et al.	D9/516
D606,410	S *	12/2009	Kissinger et al.	D9/516
7,703,618	B2 *	4/2010	Derrien	215/375
D622,147	S *	8/2010	Pedmo	D9/516
D623,063	S *	9/2010	Pedmo	D9/516

* cited by examiner

Primary Examiner—Stella M Reid

Assistant Examiner—Elizabeth J Oswecki

(74) *Attorney, Agent, or Firm*—Husch Blackwell LLP; H. Frederick Rusche

(57) **CLAIM**

I claim the ornamental design for a container bottom, as shown and described.

DESCRIPTION

FIG. 1 is a perspective of a container bottom showing my new design;

FIG. 2 is a front view thereof;

FIG. 3 is a bottom view thereof;

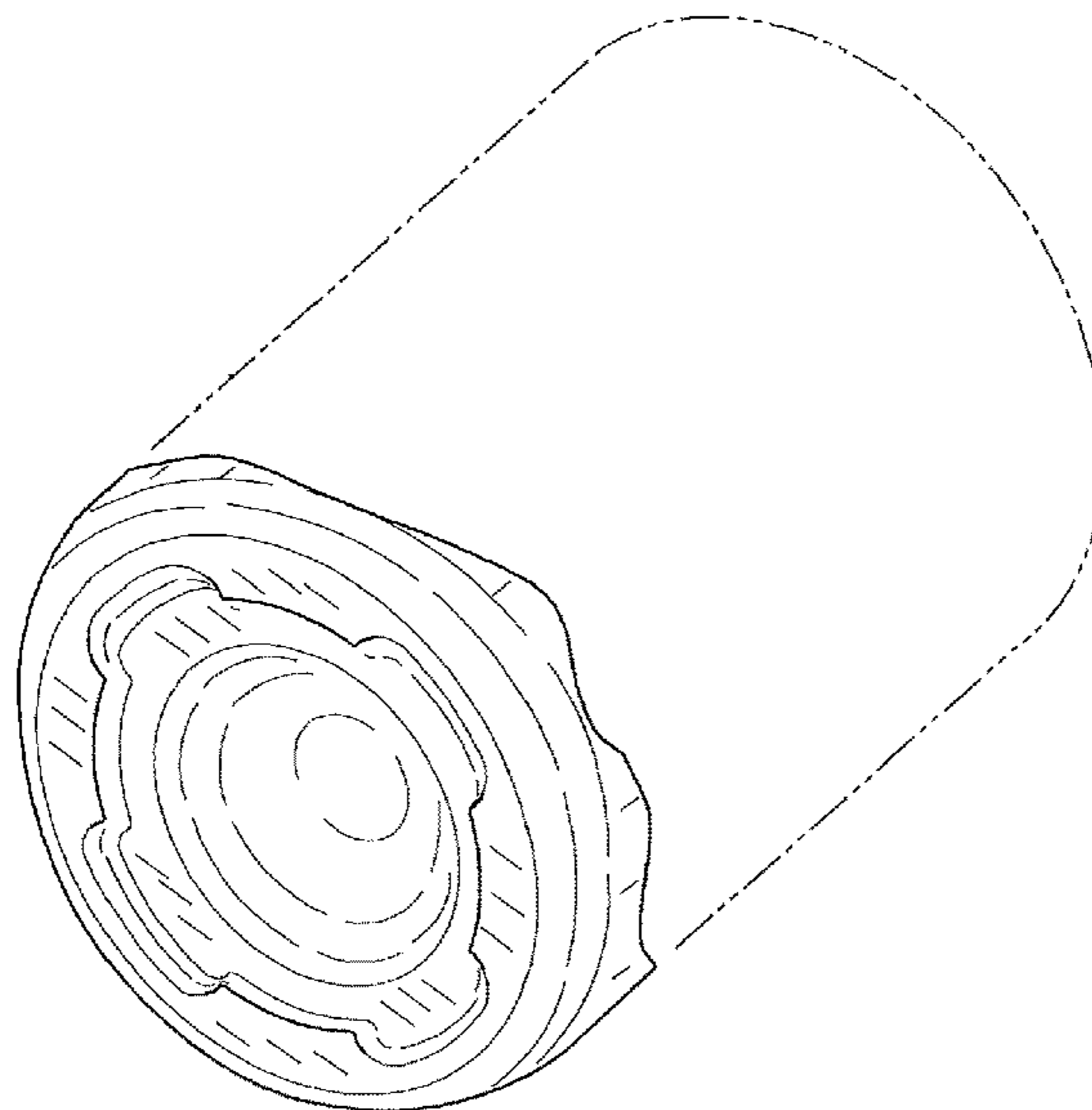
FIG. 4 is a partial section view of the container bottom of FIG. 3 taken along the line 4—4; and,

FIG. 5 is a partial section view of the container bottom of FIG. 3 taken along the line 5—5.

All sides not shown form no part of the claimed design.

The broken lines shown in the drawing views are included for the purpose of showing an environmental structure that forms no part of the claimed design.

1 Claim, 2 Drawing Sheets



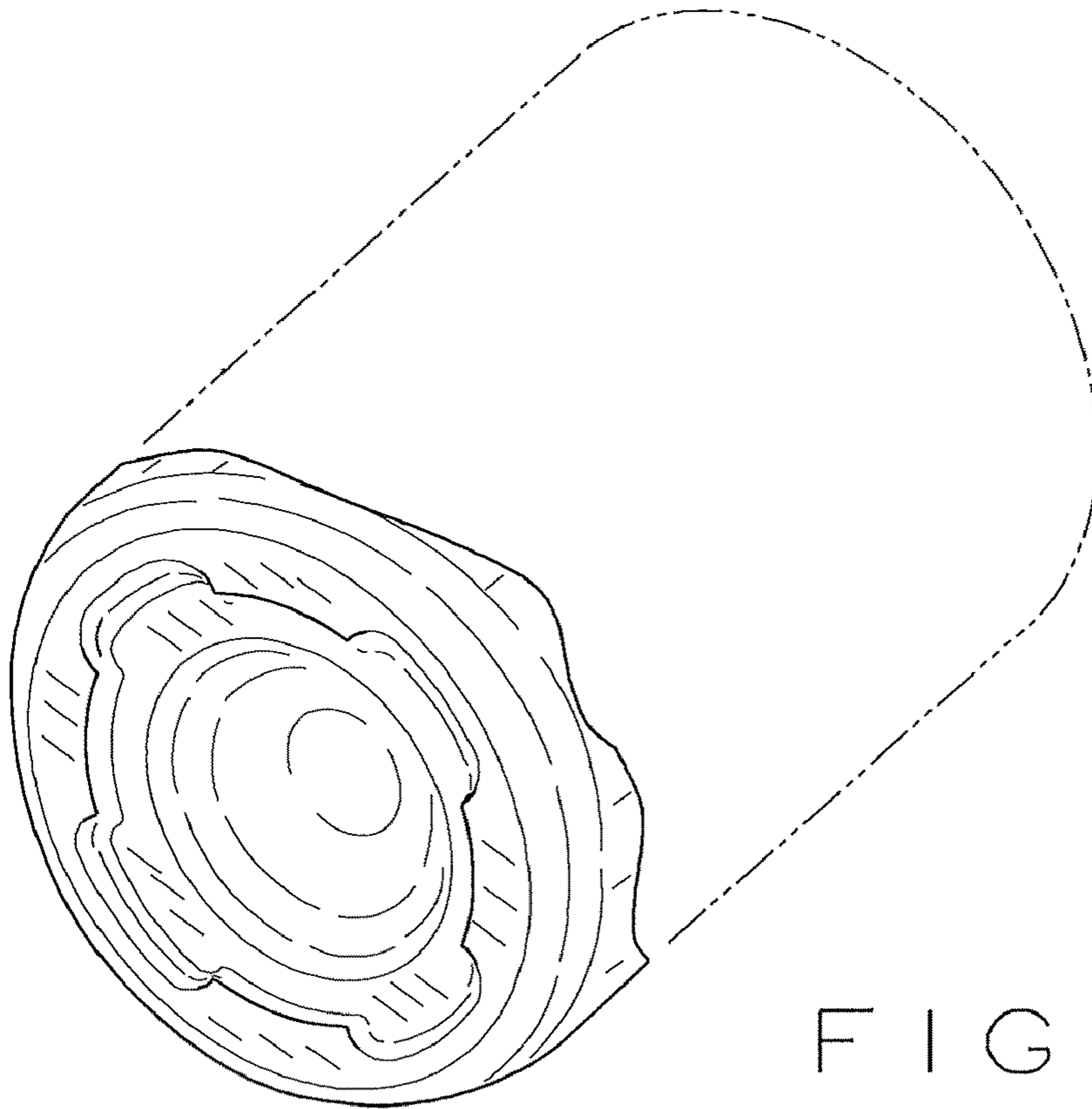


FIG. 1

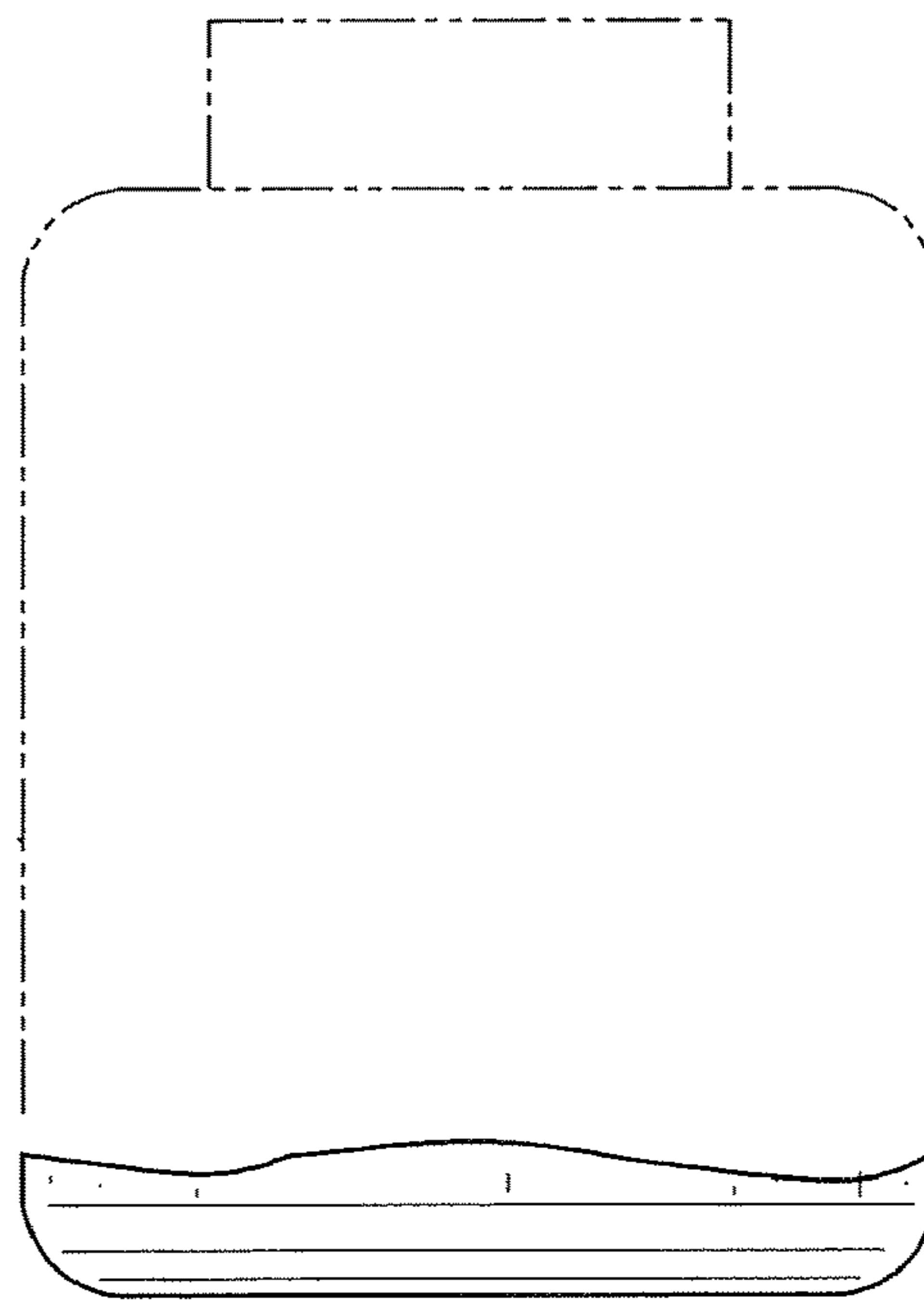


FIG. 2

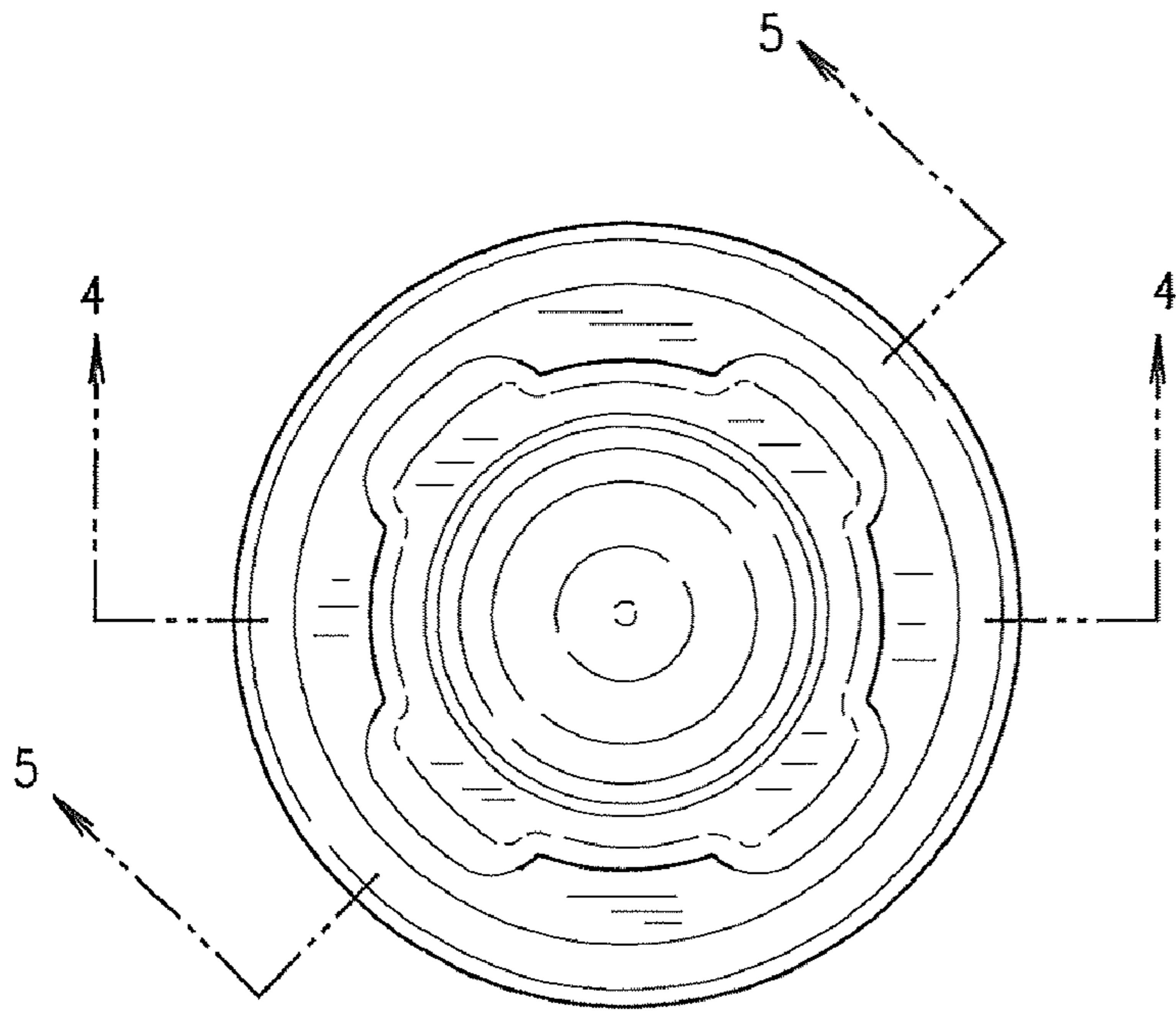


FIG. 3

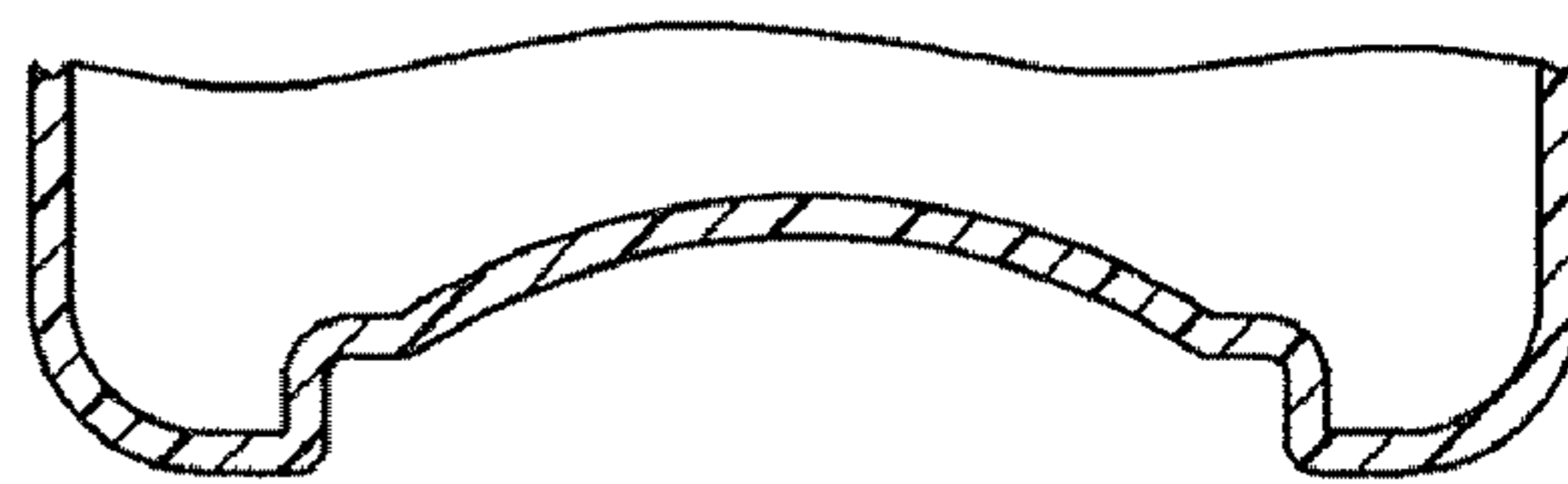


FIG. 4

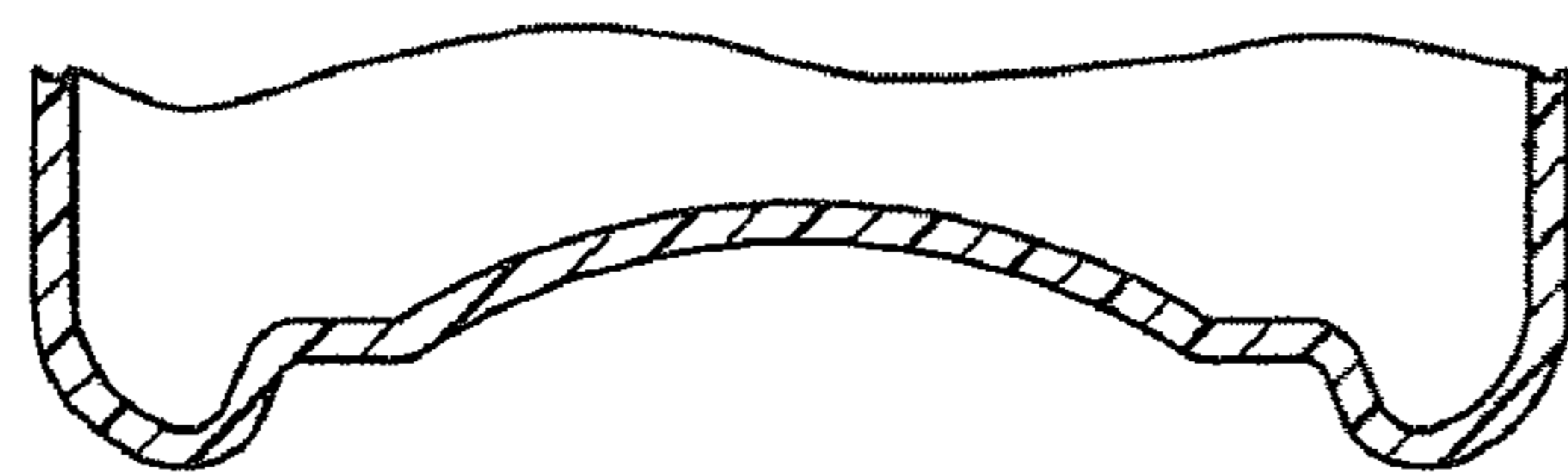


FIG. 5