



US00D633801S

(12) **United States Design Patent**  
**Adamson et al.**

(10) **Patent No.:** **US D633,801 S**  
(45) **Date of Patent:** **\*\* \*Mar. 8, 2011**

(54) **BOTTLE**

(75) Inventors: **Edward Adamson**, London (GB);  
**Jonathon Shaw**, London (GB); **Simon Salter**, London (GB)

(73) Assignee: **The Procter & Gamble Company**,  
Cincinnati, OH (US)

(\*) Notice: This patent is subject to a terminal disclaimer.

(\*\*) Term: **14 Years**

(21) Appl. No.: **29/212,193**

(22) Filed: **Aug. 27, 2004**

(51) **LOC (9) Cl.** ..... **09-01**

(52) **U.S. Cl.** ..... **D9/516**

(58) **Field of Classification Search** ..... D9/655-664,  
D9/682-694, 715, 718-719, 723-729, 516,  
D9/522-523, 527-528, 541-544, 546, 549,  
D9/551-552, 561, 563, 565, 567-568, 570,  
D9/572-575, 435; 215/12.1-12.2, 13.1,  
215/382-384, 396, 398

See application file for complete search history.

(56) **References Cited**

**U.S. PATENT DOCUMENTS**

D213,172 S \* 1/1969 Muller ..... D9/523  
D250,393 S \* 11/1978 Shortino ..... D9/523  
D287,227 S \* 12/1986 Turnbull ..... D9/523  
D315,671 S \* 3/1991 Zaragoza ..... D9/523

D319,972 S \* 9/1991 Segati et al. .... D9/523  
D330,515 S \* 10/1992 Patel et al. .... D9/523  
D331,195 S \* 11/1992 Weckman ..... D9/543  
D358,990 S \* 6/1995 Wilson et al. .... D9/523  
D392,567 S \* 3/1998 Dumont et al. .... D9/523  
D403,588 S \* 1/1999 Jungmann ..... D9/523  
D406,765 S \* 3/1999 Zimmer et al. .... D9/523  
D431,471 S \* 10/2000 Large ..... D9/523  
D447,954 S \* 9/2001 Cummings ..... D9/530  
D487,401 S \* 3/2004 Cotton et al. .... D9/523  
D493,723 S \* 8/2004 Nelson et al. .... D9/523  
D510,869 S \* 10/2005 Gross et al. .... D9/523

\* cited by examiner

*Primary Examiner* — Carol Rademaker

(74) *Attorney, Agent, or Firm* — Amy I. Ahn-Roll; David V. Upite

(57) **CLAIM**

The ornamental design for a bottle, as shown and described.

**DESCRIPTION**

FIG. 1 is a perspective view of a bottle, embodying the new design;

FIG. 2 is a front view thereof, the opposite back view is a mirror image thereto;

FIG. 3 is a right side view thereof;

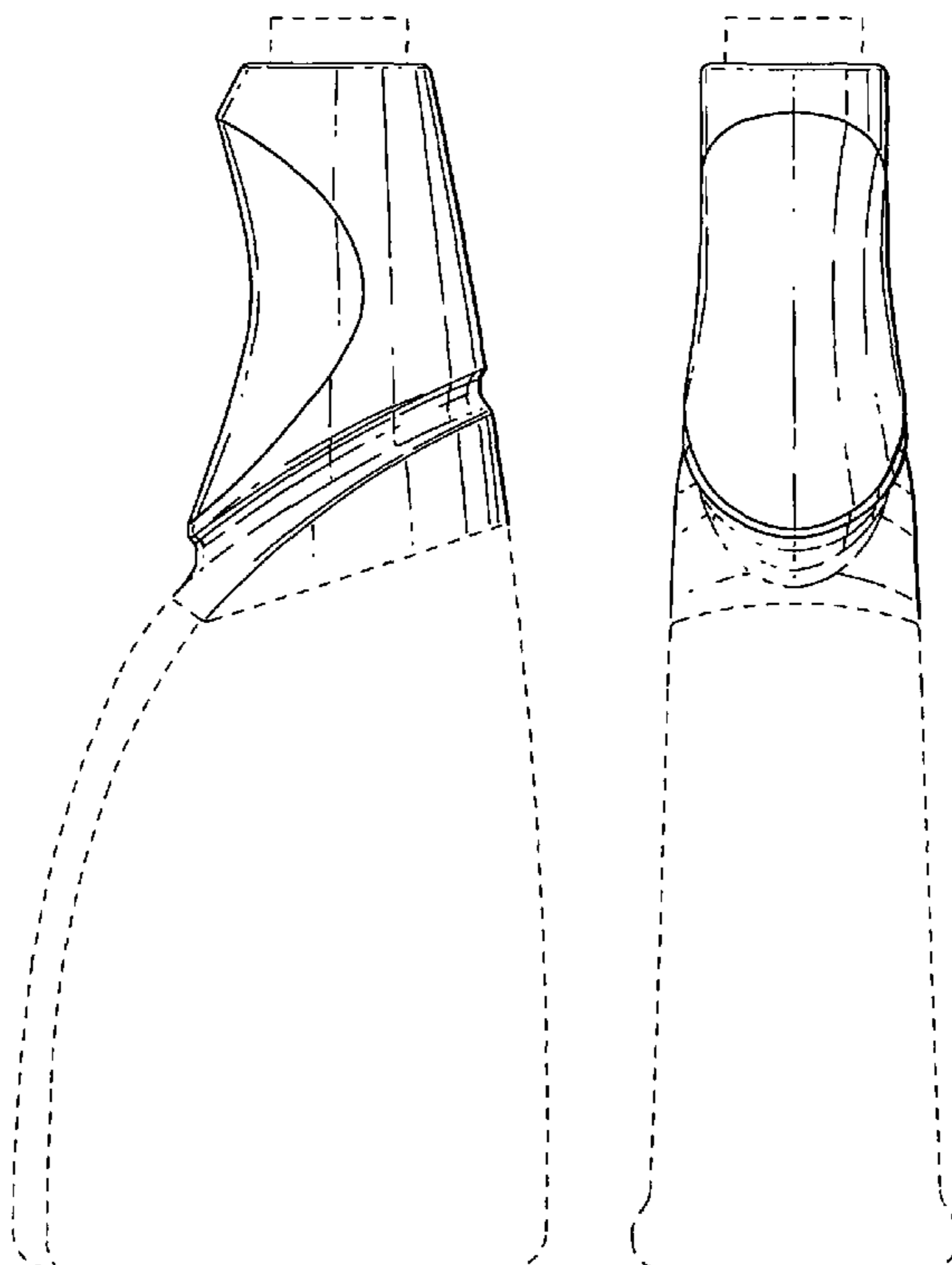
FIG. 4 is a top view thereof;

FIG. 5 is a left side view thereof; and,

FIG. 6 is a bottom view thereof.

The broken lines shown in the drawings are for illustrative purposes only and form no part of the claimed design.

**1 Claim, 3 Drawing Sheets**



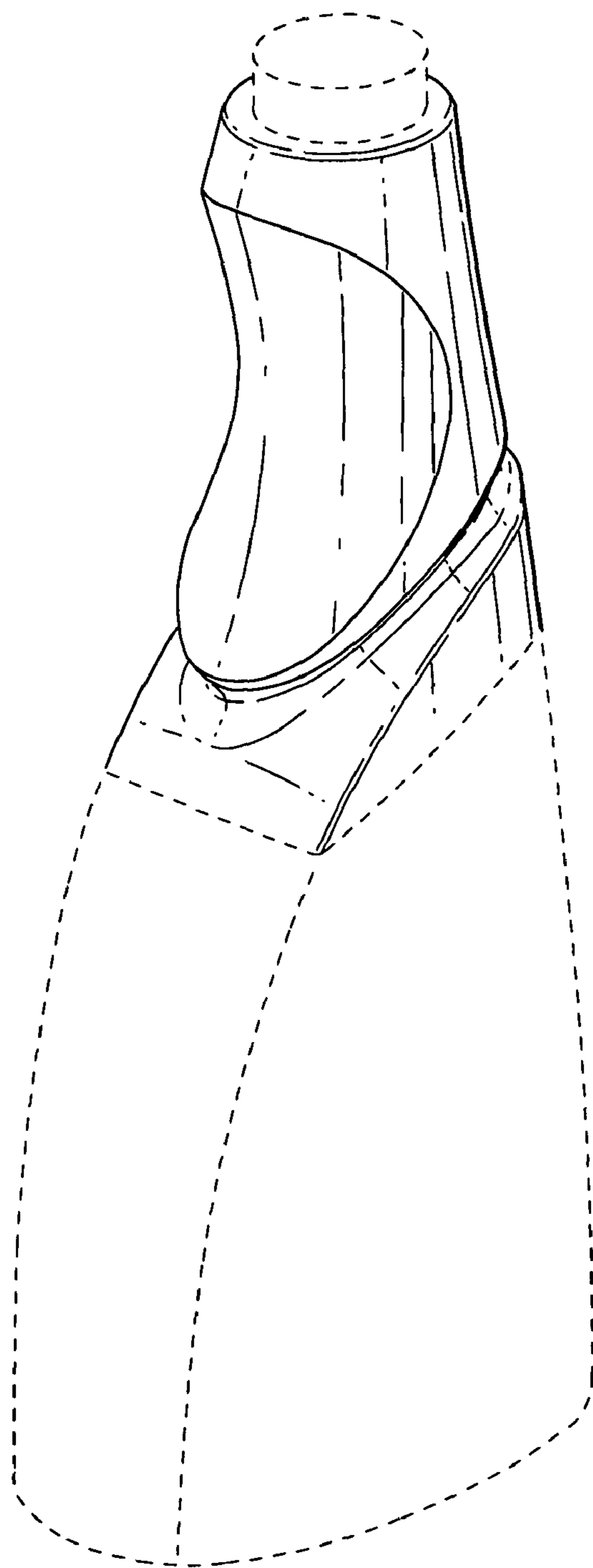


FIG. 1

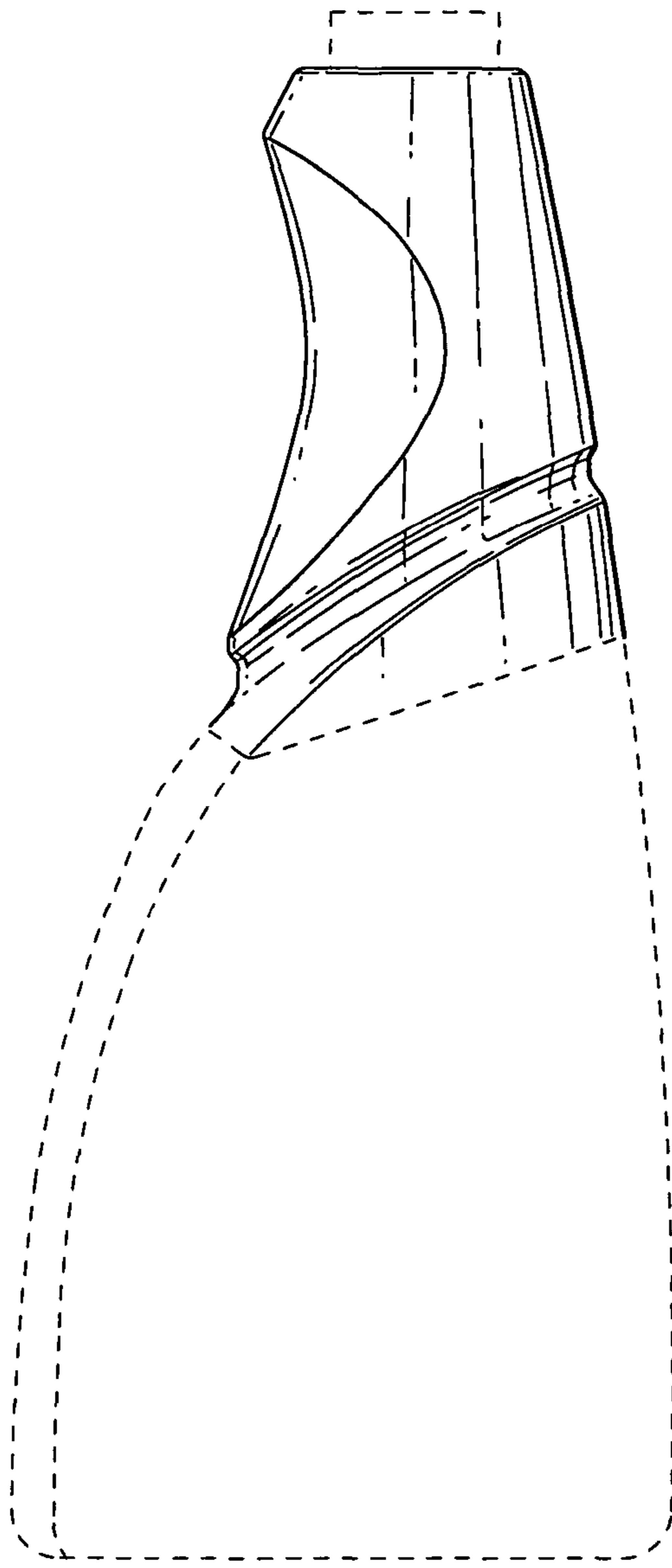


FIG. 2

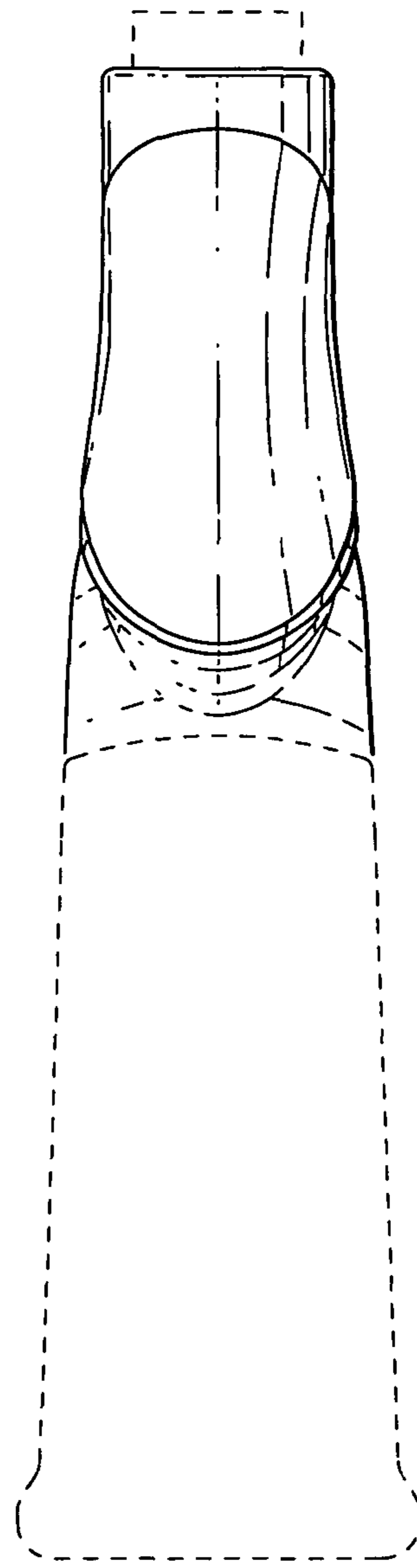


FIG. 3

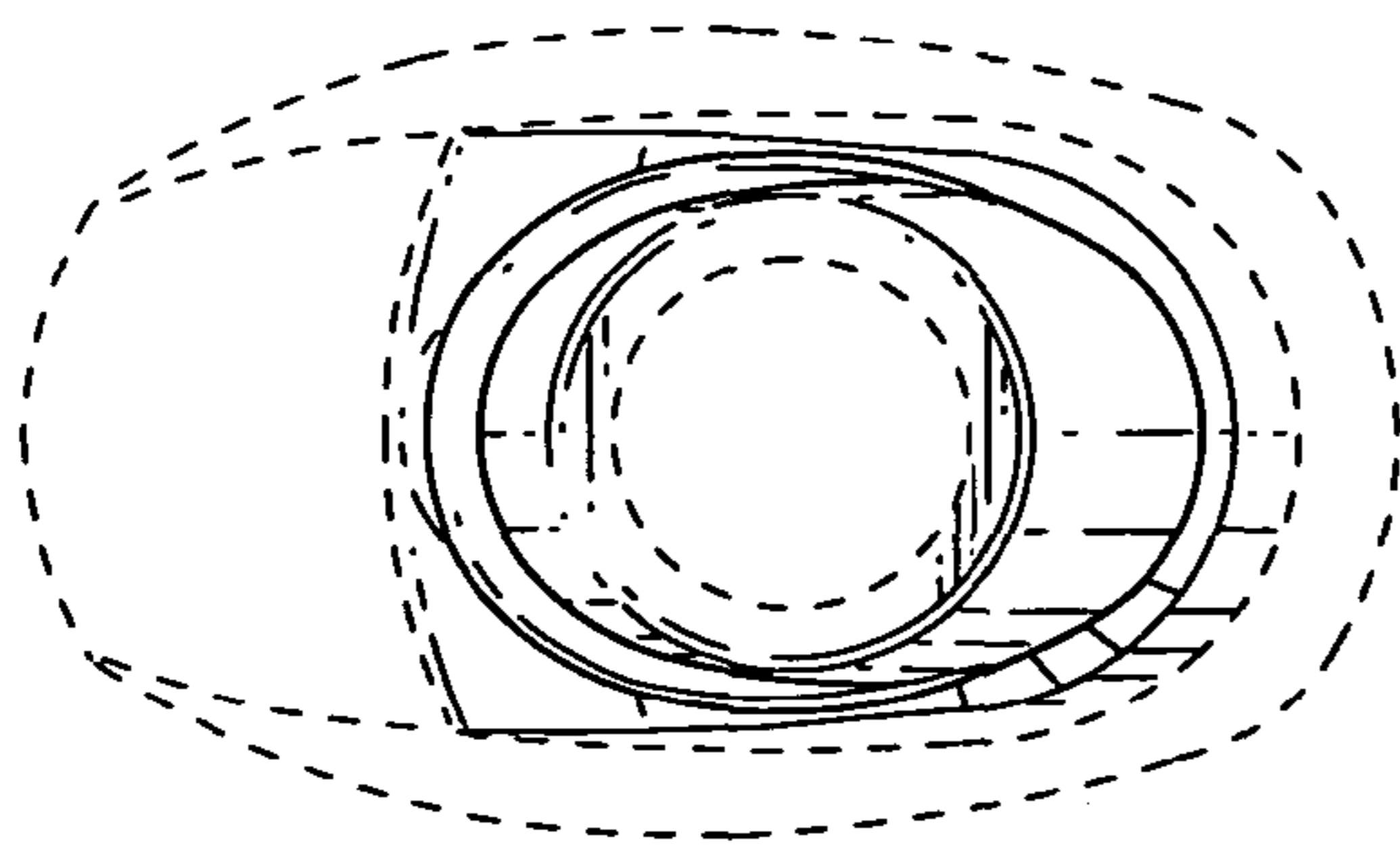


FIG. 4

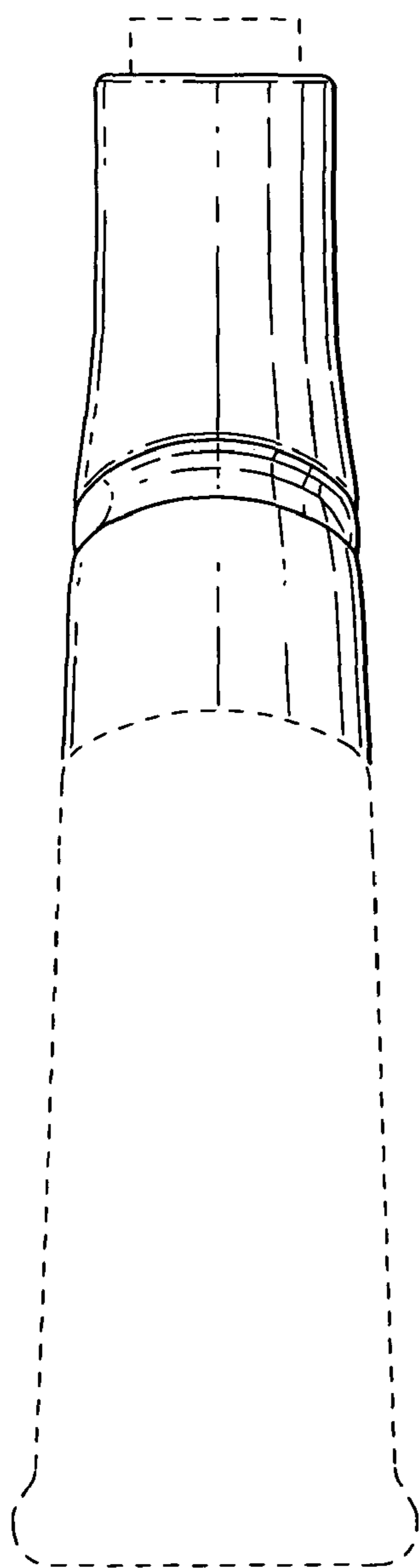


FIG. 5

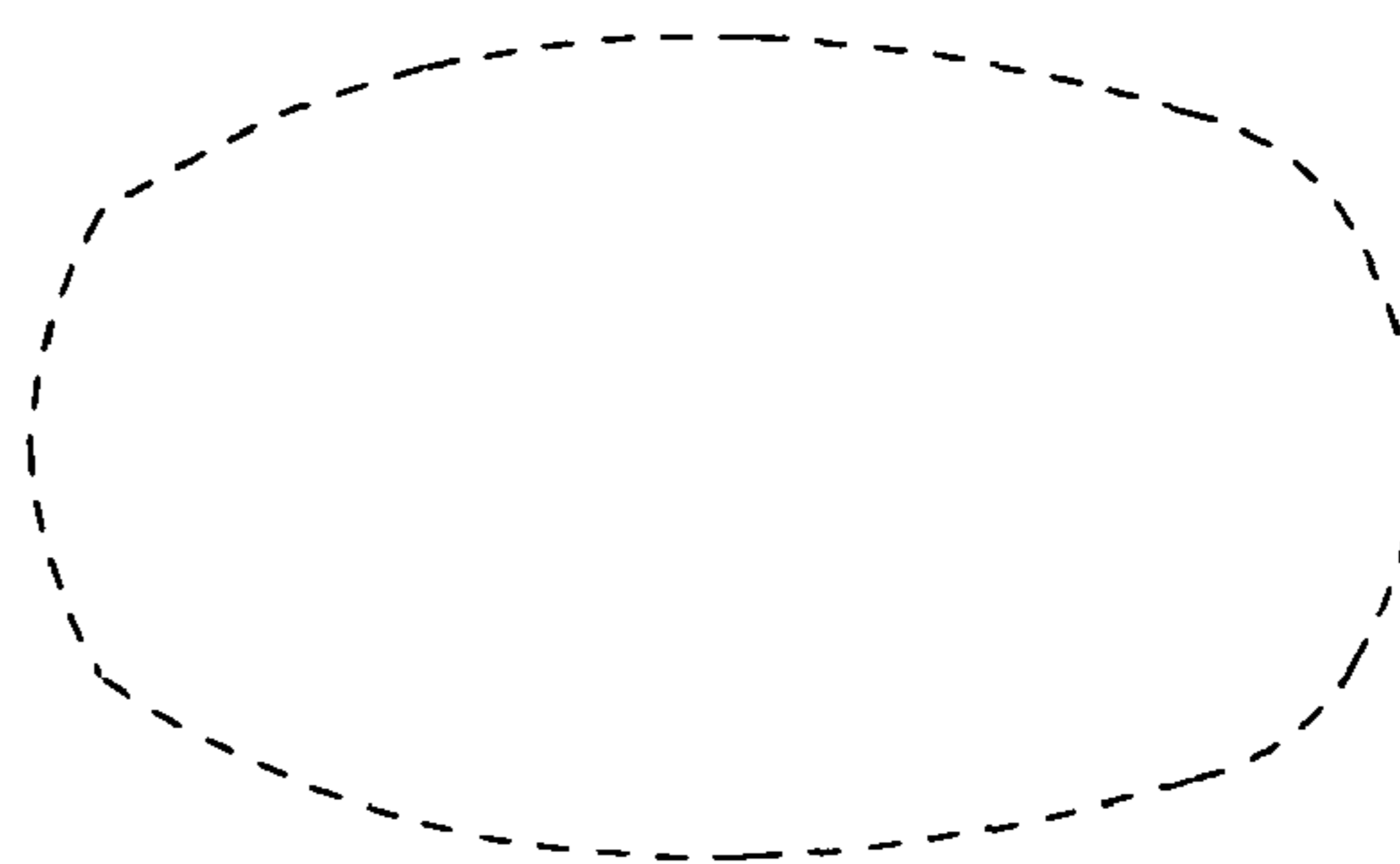


FIG. 6