



US00D633791S

(12) **United States Design Patent**
Kunishige et al.

(10) **Patent No.:** **US D633,791 S**

(45) **Date of Patent:** **** Mar. 8, 2011**

(54) **PORT CAP FOR A CONTAINER**

(75) Inventors: **Takahiko Kunishige**, Hiroshima (JP);
Yoshihiko Kobashi, Hiroshima (JP)

(73) Assignee: **JMS Co., Ltd.**, Hiroshima-Shi (JP)

(**) Term: **14 Years**

(21) Appl. No.: **29/357,319**

(22) Filed: **Mar. 10, 2010**

(30) **Foreign Application Priority Data**

Sep. 30, 2009 (JP) 2009-022767

(51) **LOC (9) Cl.** **09-07**

(52) **U.S. Cl.** **D9/447**

(58) **Field of Classification Search** D9/724,
D9/454, 453, 449, 448, 447, 435, 434, 418;
D28/7; D24/129, 115; 604/414, 411, 403;
422/103; 239/327; 222/522, 211, 209, 109;
221/63; 220/254.1-254.4; 215/247; 206/824;
141/329

See application file for complete search history.

(56) **References Cited**

U.S. PATENT DOCUMENTS

571,708 A * 11/1896 Thompson 137/845
2,441,649 A * 5/1948 Sprague 222/92
D226,054 S * 1/1973 Nixdorff D9/435
D262,440 S * 12/1981 Skalleberg D9/418

D278,655 S * 4/1985 Scappaticci D24/129
D302,794 S * 8/1989 Turner et al. D9/447
D308,170 S * 5/1990 Wilfong, Jr. D9/447
D540,670 S * 4/2007 Moribata et al. D9/435
D590,254 S * 4/2009 Saraceni et al. D9/435

FOREIGN PATENT DOCUMENTS

JP D1331734 6/2008

* cited by examiner

Primary Examiner — Susan Bennett Hattan

(74) *Attorney, Agent, or Firm* — Holtz, Holtz, Goodman & Chick, PC

(57) **CLAIM**

The ornamental design for a port cap for a container, as shown and described.

DESCRIPTION

FIG. 1 is a right-side perspective view of a port cap for a container showing our new design;

FIG. 2 is a front elevational view thereof, the rear elevational view being a mirror image;

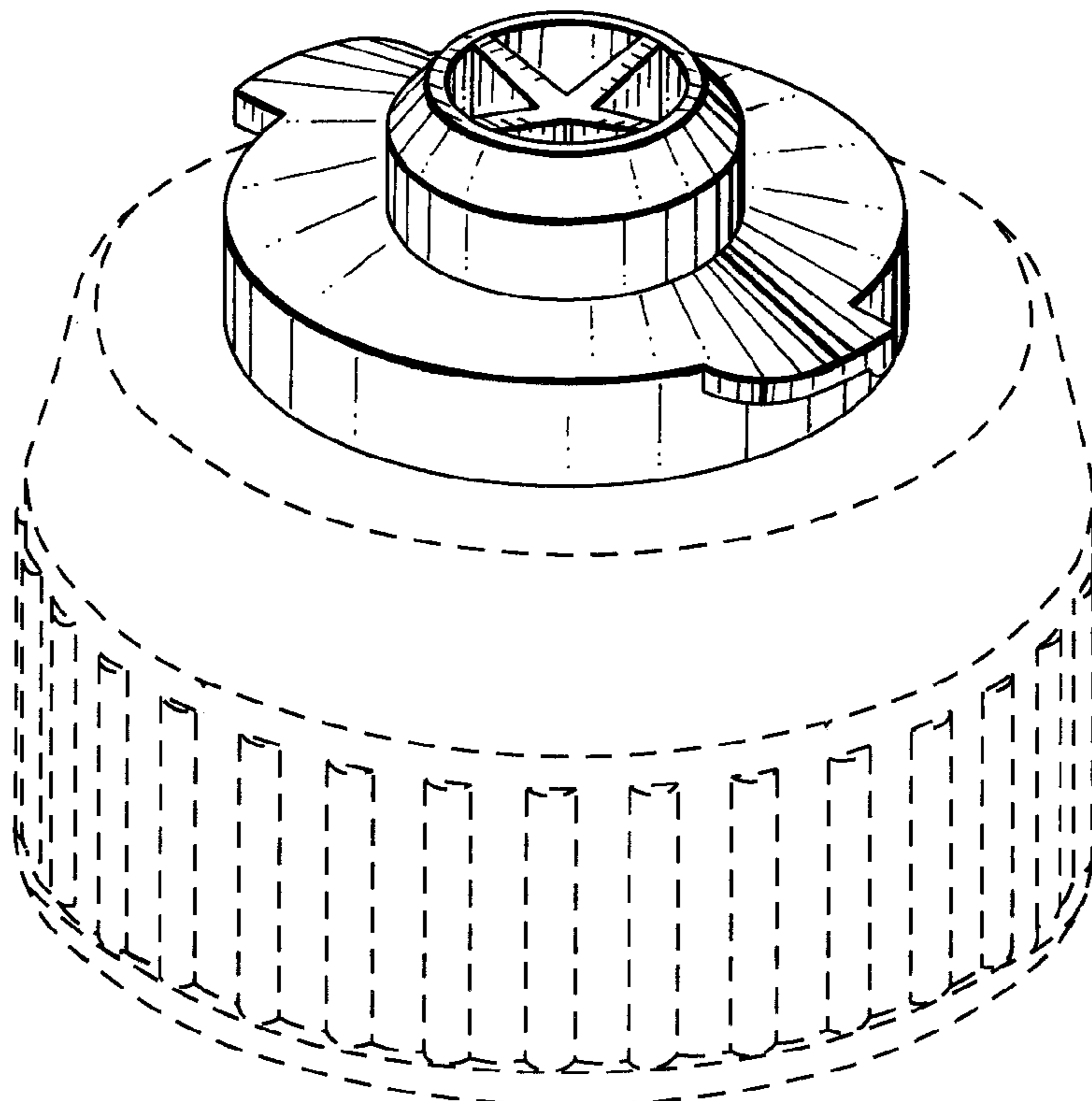
FIG. 3 is a right-side elevational view thereof, the left-side elevational view being a mirror image;

FIG. 4 is a top plan view thereof; and,

FIG. 5 is a bottom plan view thereof.

The broken lines representing portions of the port cap for a container are included for environmental purposes only and form no part of the claimed design.

1 Claim, 3 Drawing Sheets



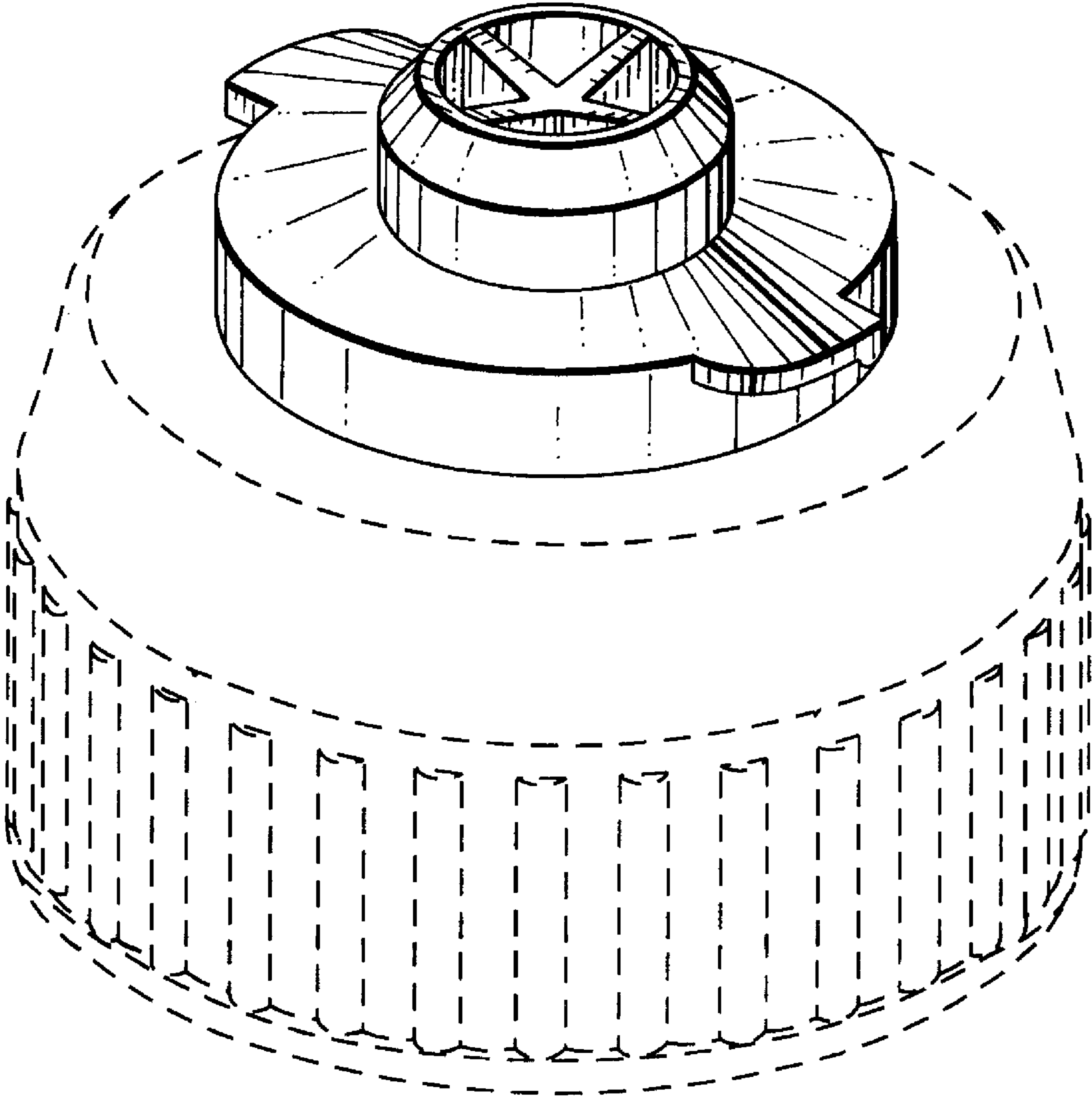


FIG. 1

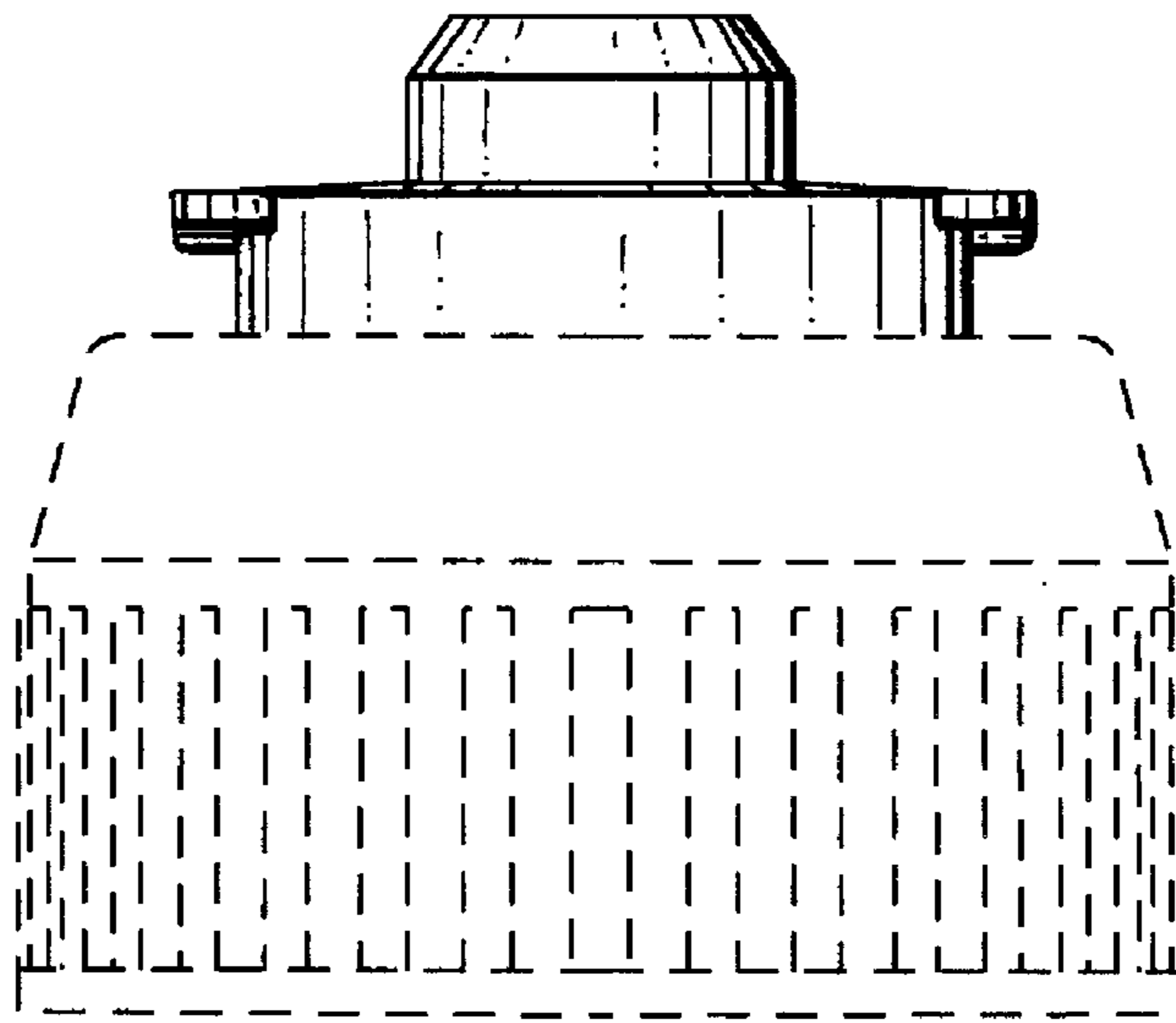


FIG. 2

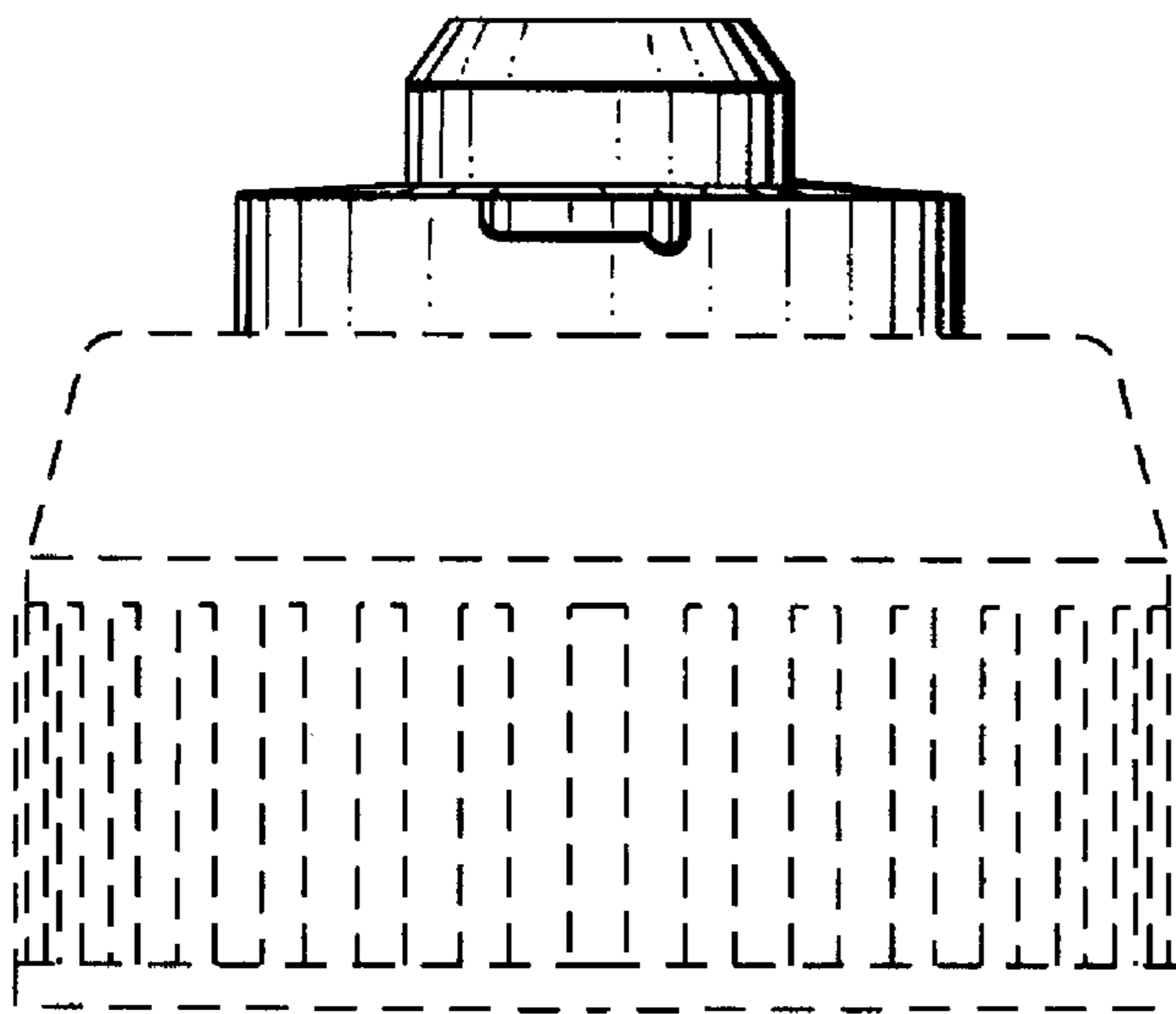


FIG. 3

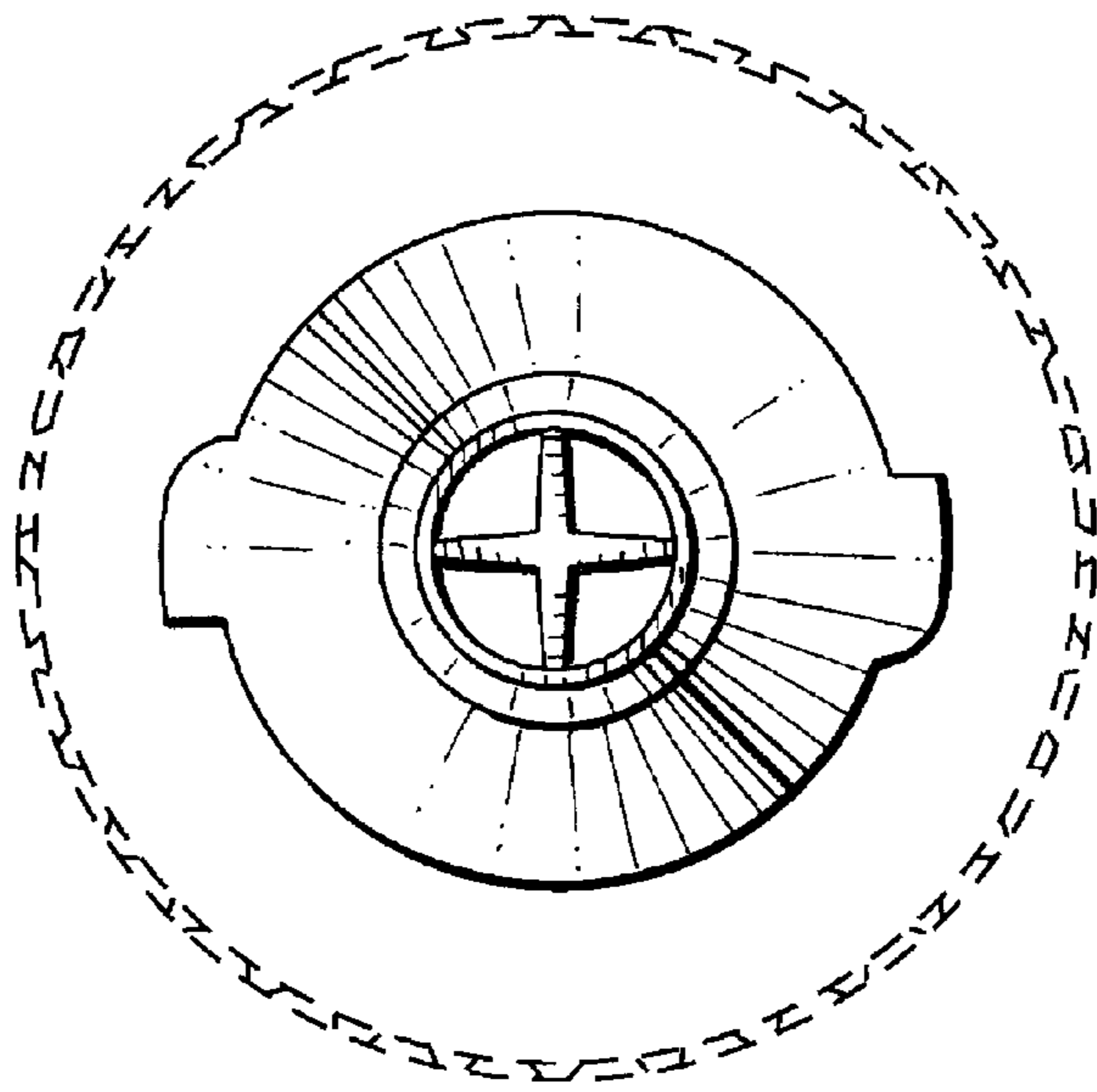


FIG. 4

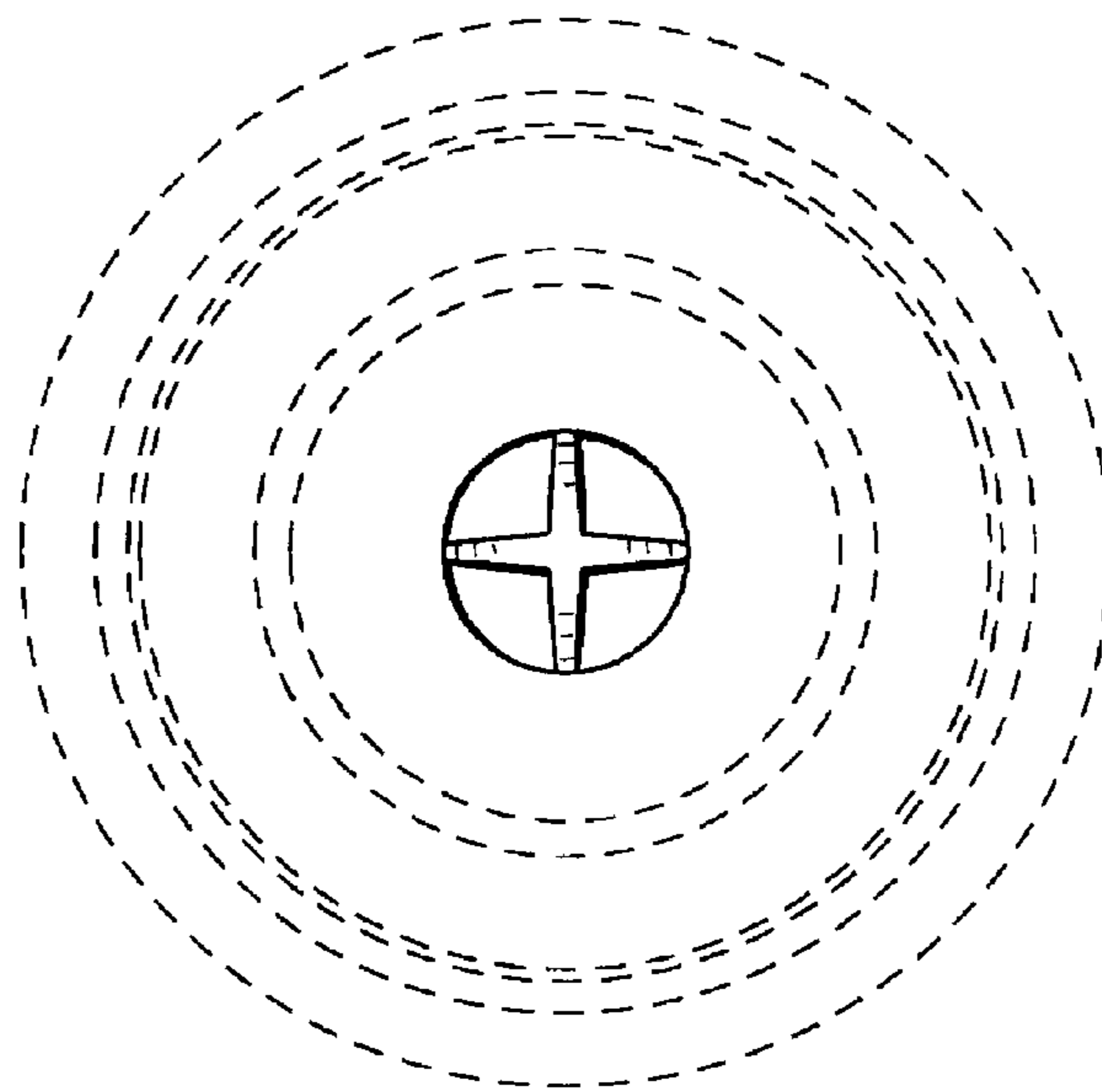


FIG. 5