

US00D633787S

(12) **United States Design Patent**
Vinseiro

(10) **Patent No.:** **US D633,787 S**
(45) **Date of Patent:** **** Mar. 8, 2011**

(54) **CARTON**

(75) Inventor: **Juan Carlos Vinseiro**, Mason, OH (US)

(73) Assignee: **The Procter & Gamble Company**,
Cincinnati, OH (US)

(**) Term: **14 Years**

(21) Appl. No.: **29/341,174**

(22) Filed: **Jul. 31, 2009**

(51) **LOC (9) Cl.** **09-03**

(52) **U.S. Cl.** **D9/431**

(58) **Field of Classification Search** D9/430-433,
D9/414, 418, 420-424; D3/272; 206/267,
206/269, 270, 273, 299, 737, 740, 822; 229/100,
229/101, 101.3, 106, 108-112, 114-117,
229/117.05-117.09, 117.24-117.26, 221,
229/222, 227, 902, 939, 941, 942
See application file for complete search history.

(56) **References Cited**

U.S. PATENT DOCUMENTS

D8,357 S	5/1875	Zimmerman	
917,347 A	4/1909	Neumann	
2,019,250 A	10/1935	Collins	
2,138,718 A *	11/1938	Wheeler	229/125.39
2,617,578 A	11/1952	Fischer	
2,701,089 A	2/1955	Fischer	
2,760,709 A	8/1956	Bruehl	
2,800,268 A *	7/1957	Mathews	229/117.13
2,883,042 A *	4/1959	Richer	206/279
2,923,455 A *	2/1960	Tingley	229/117.13
3,145,898 A	8/1964	Struble	
4,017,017 A	4/1977	Vos	
4,684,026 A *	8/1987	Takeuchi et al.	206/522
4,733,775 A *	3/1988	Fireman	206/5
4,917,290 A *	4/1990	Saiki et al.	229/112
5,040,721 A *	8/1991	Essack	229/112
D333,781 S *	3/1993	Kobel	D9/734
D427,064 S *	6/2000	Kelsey	D9/430
D427,066 S *	6/2000	Persson et al.	D9/433
D427,904 S *	7/2000	Persson et al.	D9/433

D428,337 S	7/2000	Persson	
D429,462 S *	8/2000	Kumakura et al.	D9/415
D431,003 S	9/2000	Persson	
D432,413 S *	10/2000	Owens	D9/418
D433,942 S *	11/2000	Persson et al.	D9/432
D454,494 S *	3/2002	Bryan et al.	D9/430
D456,710 S *	5/2002	Persson	D9/431
D469,687 S *	2/2003	Larian	D9/415
6,612,483 B2 *	9/2003	Harris et al.	229/104
6,631,839 B2	10/2003	Shair	
7,007,825 B2 *	3/2006	Crosland et al.	222/105
D519,833 S	5/2006	Katsuyama	
D525,121 S	7/2006	Katsuyama	

(Continued)

FOREIGN PATENT DOCUMENTS

EP 0279485 8/1988

(Continued)

Primary Examiner—Robert M Spear
Assistant Examiner—Karen Acker

(57) **CLAIM**

The ornamental design for a carton, as shown and described.

DESCRIPTION

FIG. 1 is a perspective view of a carton illustrating our new design;

FIG. 2 is a front view thereof;

FIG. 3 is a rear view thereof;

FIG. 4 is a left side view thereof;

FIG. 5 is a right side view thereof;

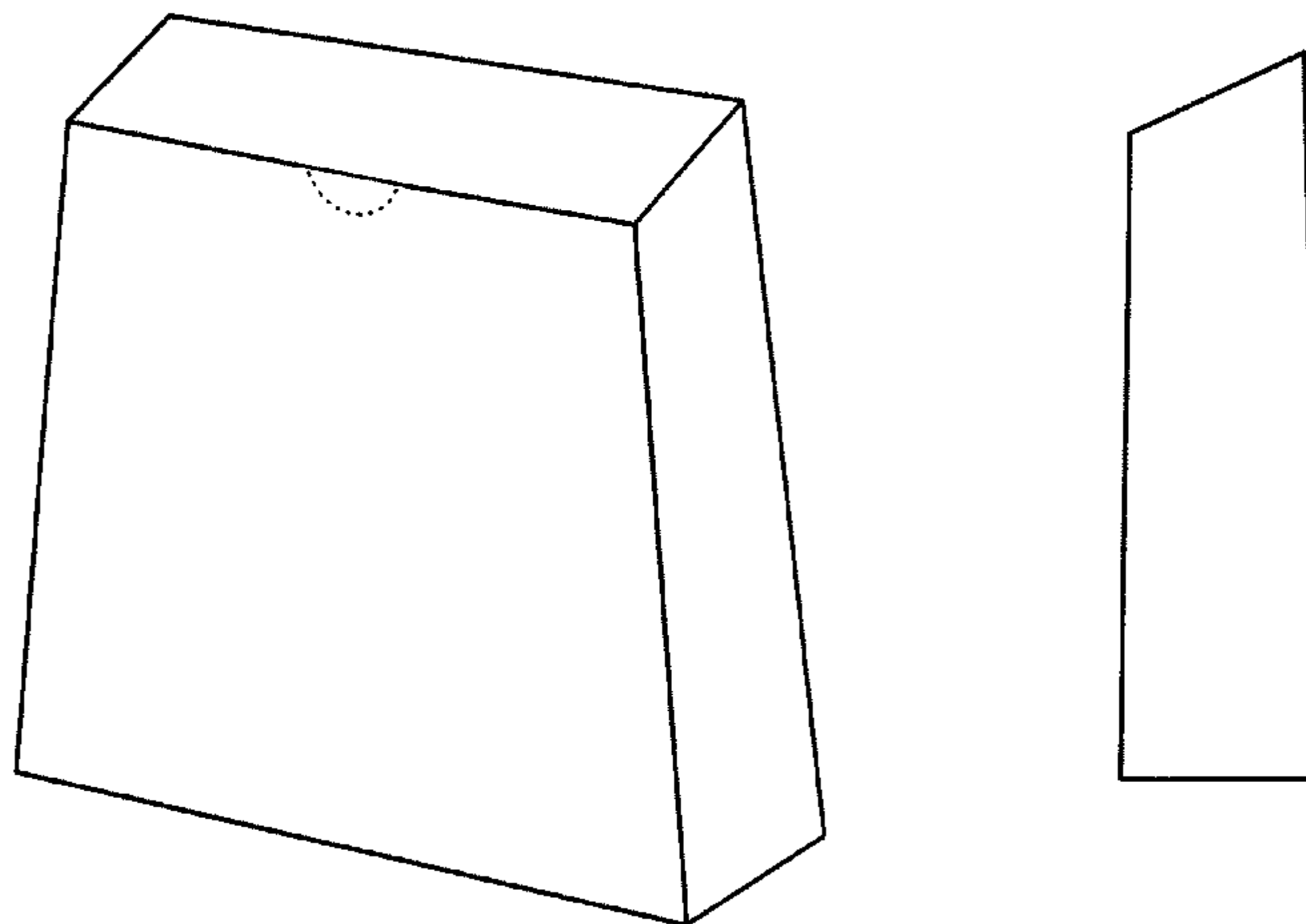
FIG. 6 is a top view thereof; and,

FIG. 7 is a bottom view thereof.

The dashed lines shown in the drawings are for illustrative purposes only and form no part of the claimed design.

The broken lines in the drawings represent unclaimed environmental subject matter.

1 Claim, 1 Drawing Sheet



US D633,787 S

Page 2

U.S. PATENT DOCUMENTS

D526,572 S * 8/2006 Lemaire D9/661
D540,667 S * 4/2007 Duranthon D9/430
D564,794 S 3/2008 Ehresman
7,431,159 B2 * 10/2008 Lawrence et al. 206/454
7,571,835 B2 * 8/2009 Hill et al. 222/94
7,607,537 B2 * 10/2009 Katsuyama 206/525
2005/0092820 A1 5/2005 Chekroune

2006/0191984 A1 8/2006 Hitosugi

FOREIGN PATENT DOCUMENTS

EP 0287963 10/1988
FR 1309721 11/1962
WO DM-058533 * 9/2001

* cited by examiner

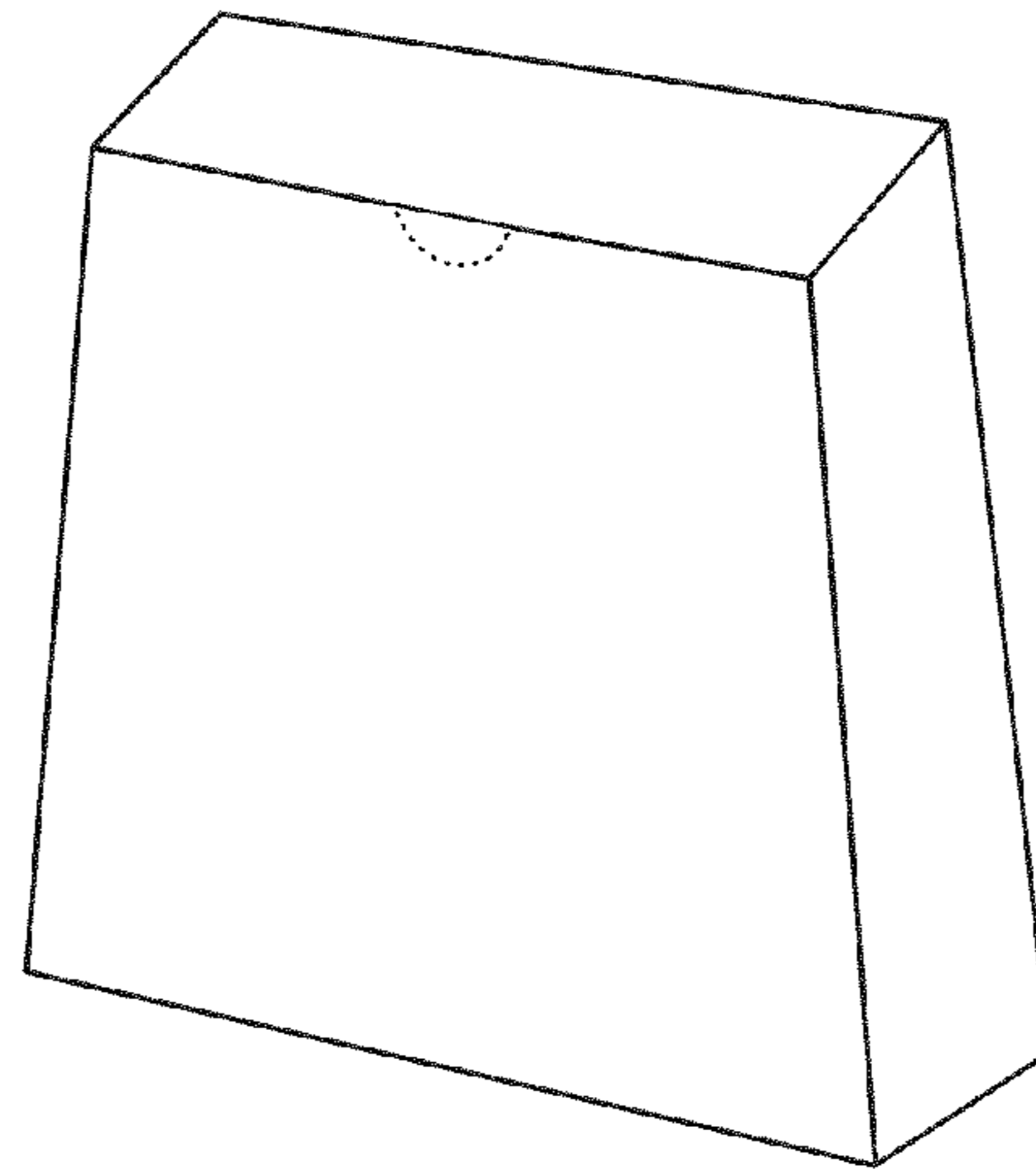


Fig. 1

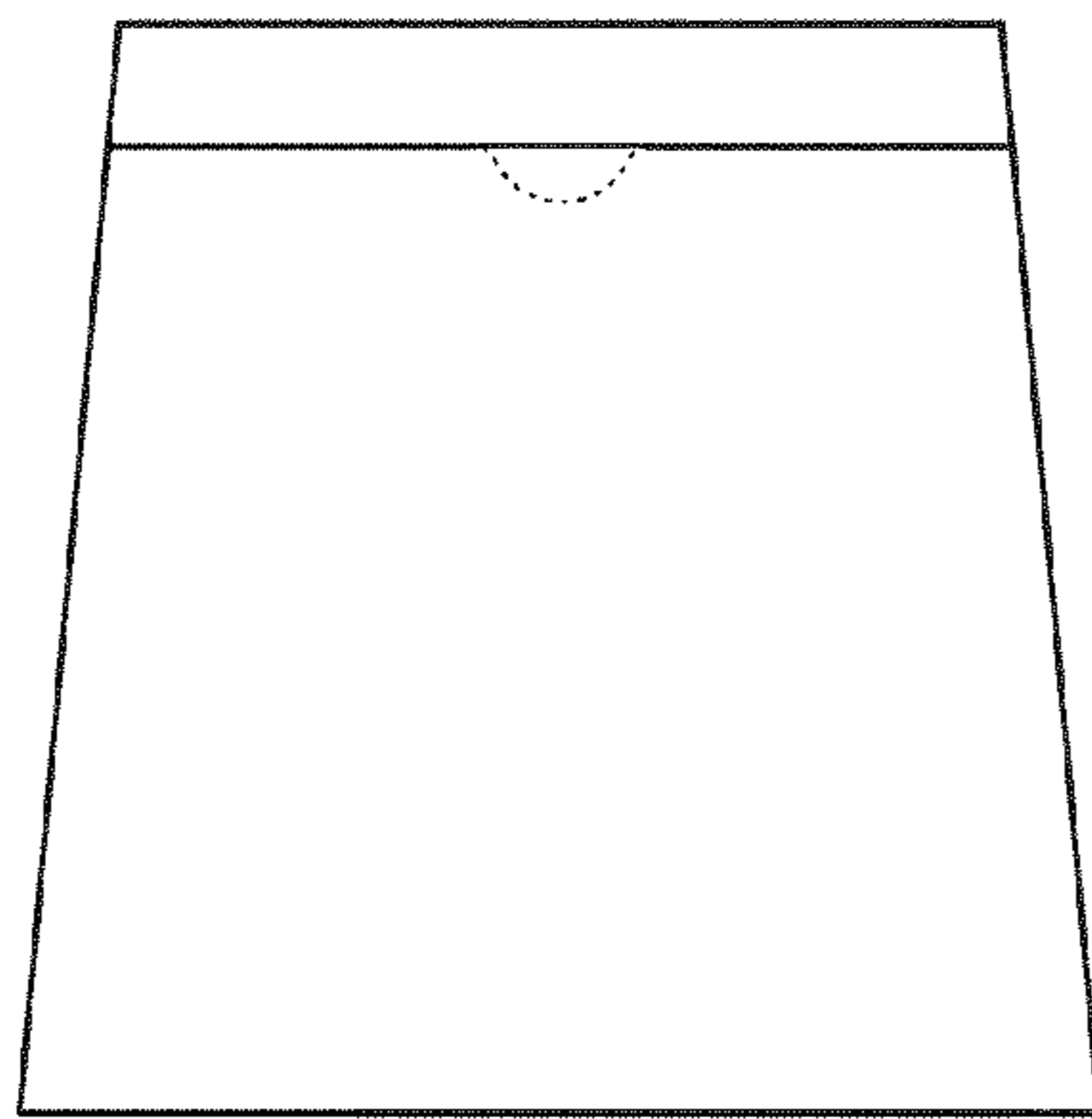


Fig. 2

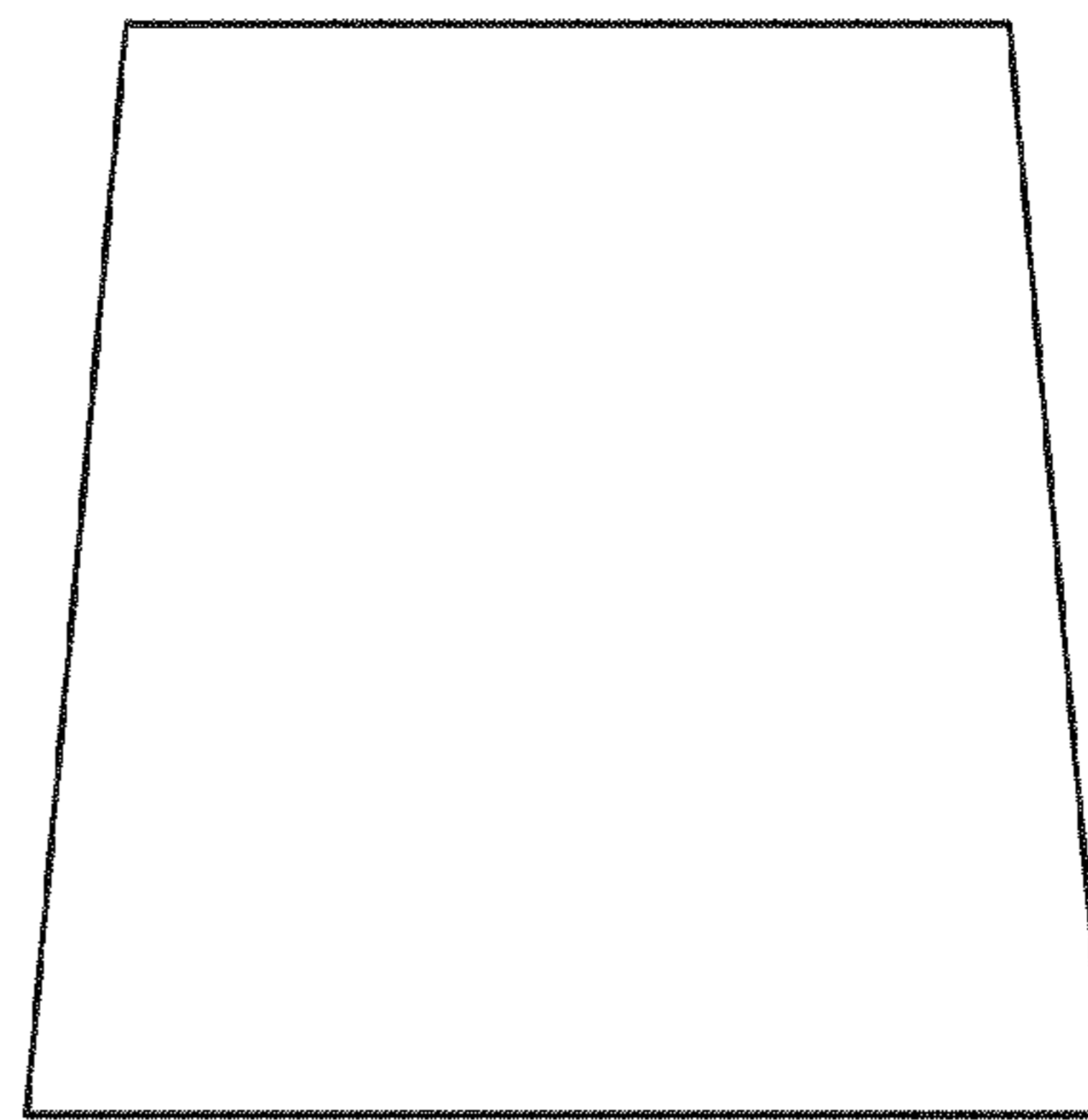


Fig. 3

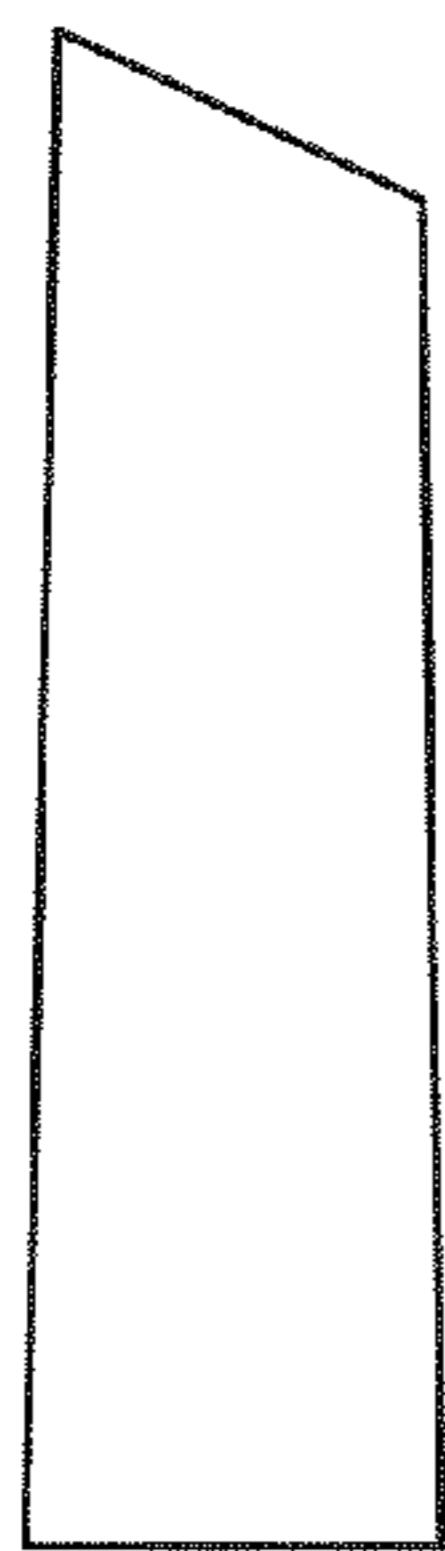


Fig. 4

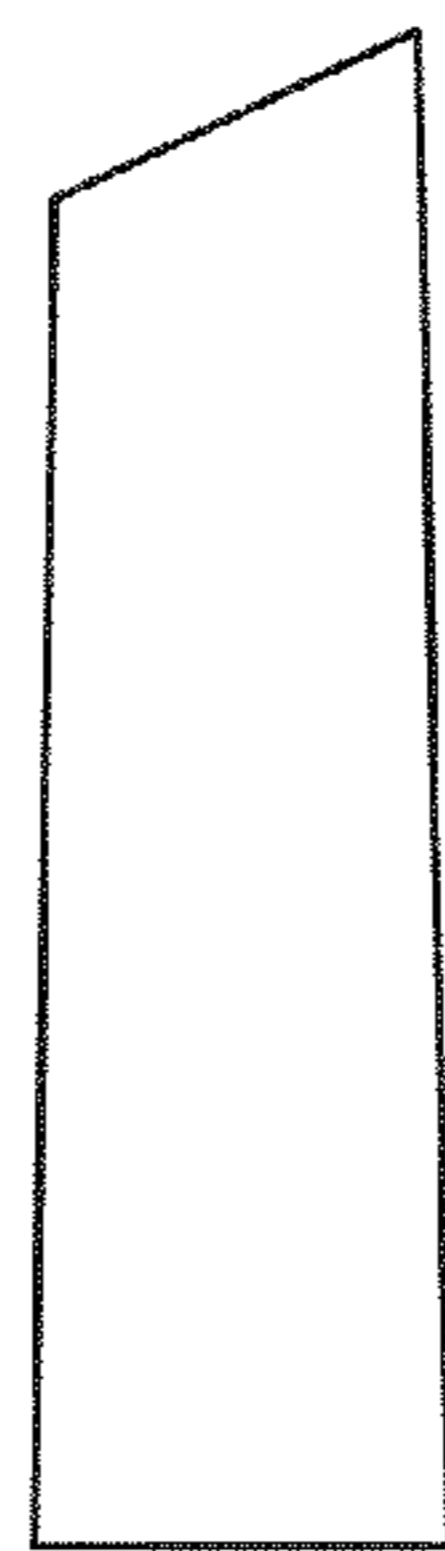


Fig. 5

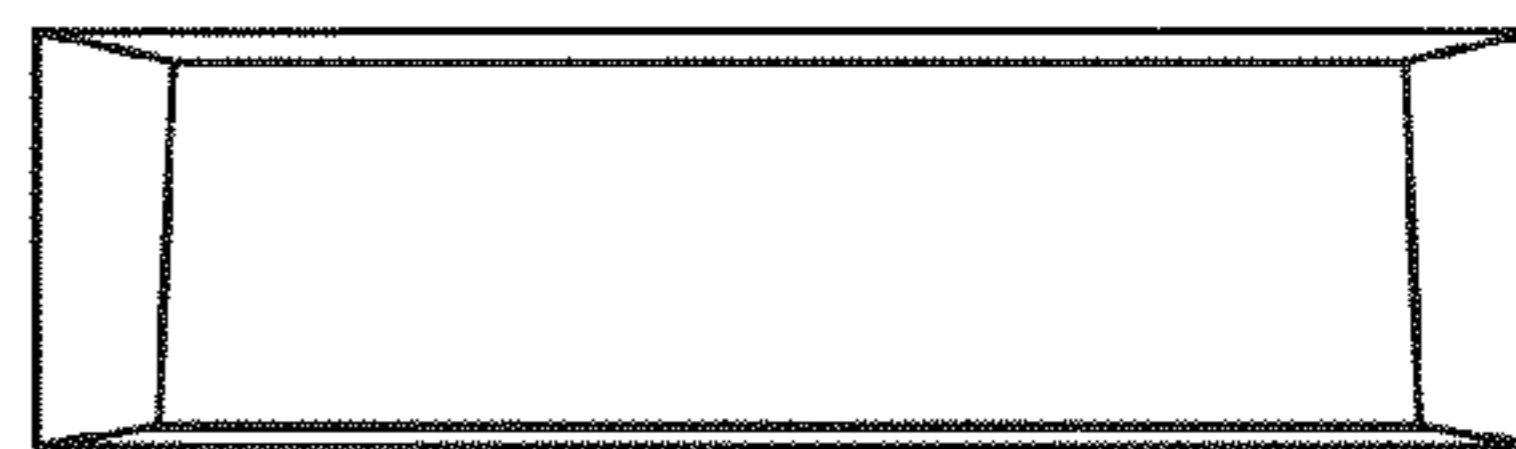


Fig. 6



Fig. 7