



US00D633783S

(12) **United States Design Patent**
Iwama

(10) **Patent No.:** **US D633,783 S**

(45) **Date of Patent:** **** Mar. 8, 2011**

(54) **WIRE GRIP**

(75) Inventor: **Tamotsu Iwama**, Kadoma (JP)

(73) Assignee: **Nagaki Seiki Co., Ltd**, Daito, Osaka (JP)

(**) Term: **14 Years**

(21) Appl. No.: **29/348,395**

(22) Filed: **Dec. 28, 2009**

(30) **Foreign Application Priority Data**

Jun. 30, 2009 (JP) 2009-014819

(51) **LOC (9) Cl.** **08-08**

(52) **U.S. Cl.** **D8/395; D8/383**

(58) **Field of Classification Search** D8/354-356,
D8/394-396, 383, 367, 373; 24/16 R, 279,
24/133, 132 AA, 134 N; 248/49, 61, 62,
248/63, 74.1-74.4, 73; 294/116, 82.14, 82.2,
294/82.22, 132, 135, 902; 182/5, 191, 192;
188/65.1, 65.2

See application file for complete search history.

(56) **References Cited**

U.S. PATENT DOCUMENTS

531,700	A *	1/1895	Rowland	24/134 N
1,194,062	A *	8/1916	Piche	182/192
1,464,939	A *	8/1923	Kearney	24/134 N
1,942,625	A *	1/1934	Whalan et al.	24/132 R
2,140,837	A *	12/1938	Harry	24/134 N
2,245,811	A *	6/1941	O'Russa	24/134 N
2,511,305	A *	6/1950	Tell	254/254
2,985,933	A *	5/1961	Peterson et al.	24/132 R

3,177,544	A *	4/1965	Murdock	24/134 R
3,262,171	A *	7/1966	Scholz	24/134 R
3,410,525	A *	11/1968	Tanson	254/105
3,824,653	A *	7/1974	Sholler	24/134 KB
3,923,333	A *	12/1975	Whaley	294/104
4,034,828	A *	7/1977	Rose et al.	182/5
4,037,869	A *	7/1977	Terada et al.	294/104
4,071,926	A *	2/1978	Sweet et al.	24/136 R
4,083,438	A *	4/1978	Handa	188/65.3
5,156,240	A *	10/1992	Ostrobrod	188/65.1
5,638,919	A *	6/1997	Pejout	182/192
5,855,251	A *	1/1999	Deuer	182/5
5,924,522	A *	7/1999	Ostrobrod	182/191
7,080,716	B2 *	7/2006	Cherpitel	182/192

* cited by examiner

Primary Examiner — T. Chase Nelson

Assistant Examiner — John Windmuller

(74) *Attorney, Agent, or Firm* — Curtis L. Harrington; Kathy E. Harrington; Harrington & Harrington

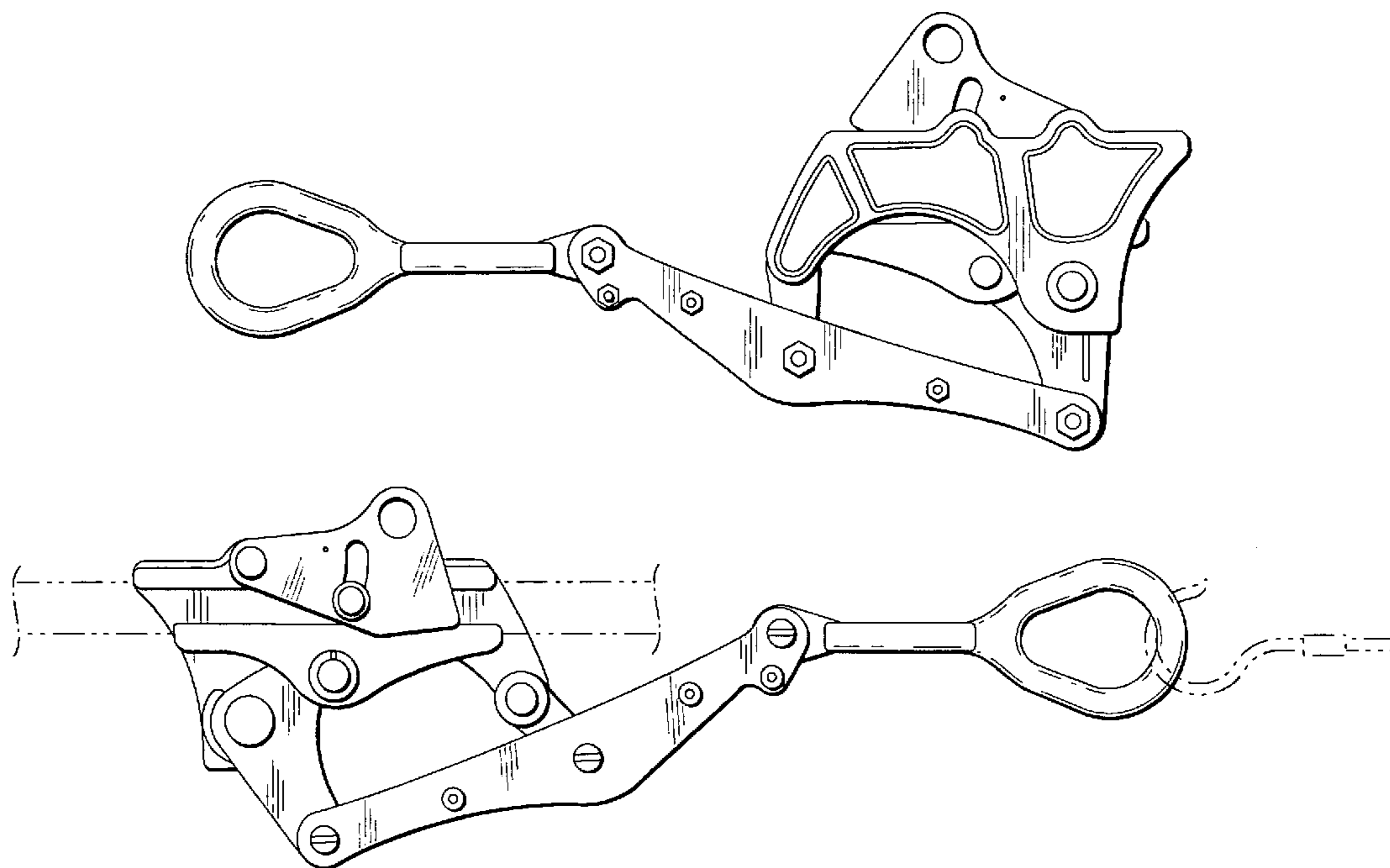
(57) **CLAIM**

The ornamental design for a wire grip, as shown and described.

DESCRIPTION

FIG. 1 is a front view;
FIG. 2 is a rear view;
FIG. 3 is a top view;
FIG. 4 is a bottom view;
FIG. 5 is right side view;
FIG. 6 is a left side view; and,
FIG. 7 is a front plan view showing the wire grip in a position engaging a wire structure when pulled by a hook structure, the wire structure and the hooked structure shown in dashed line format and forming no part of the invention hereof.

1 Claim, 2 Drawing Sheets



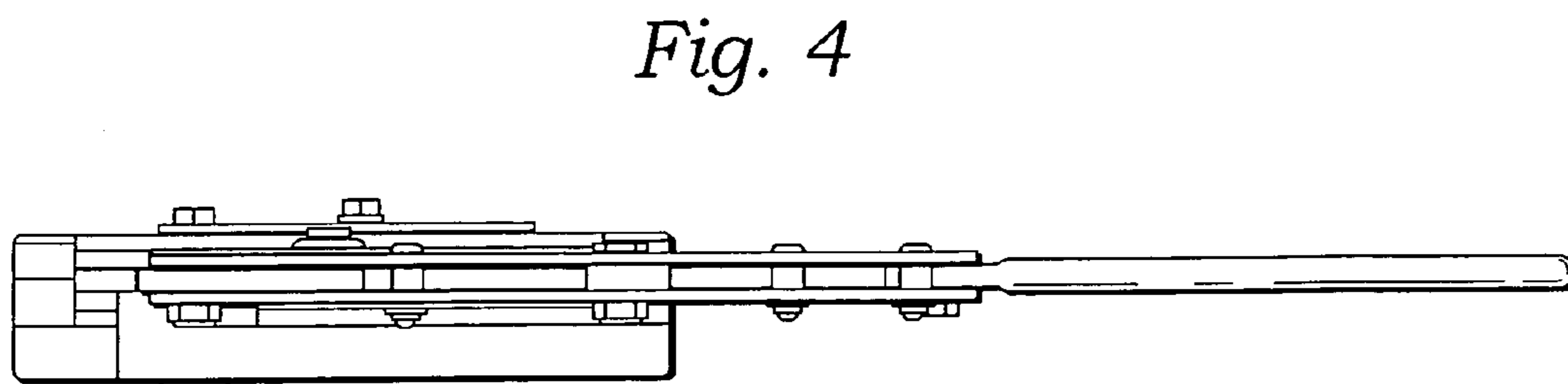
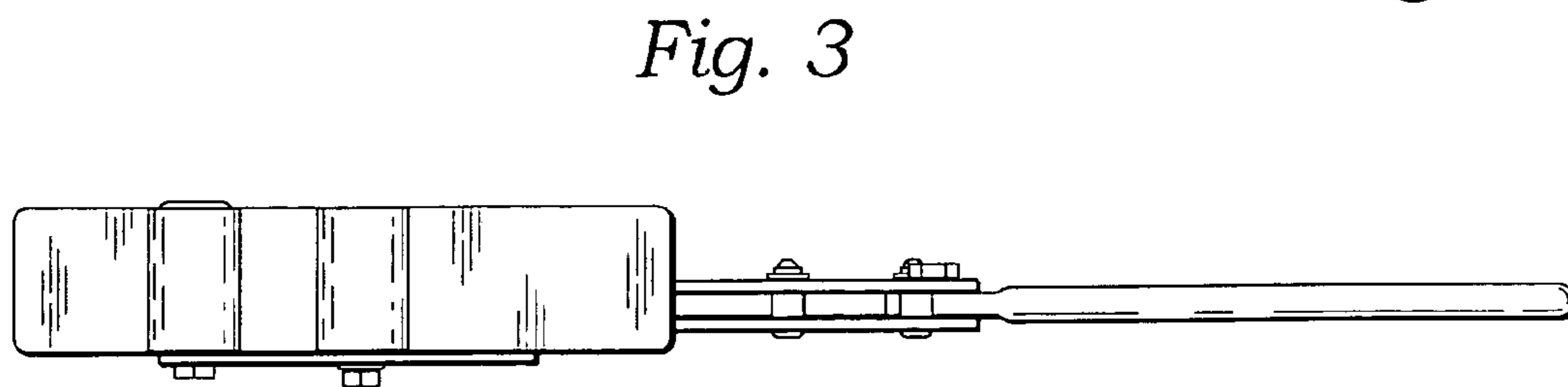
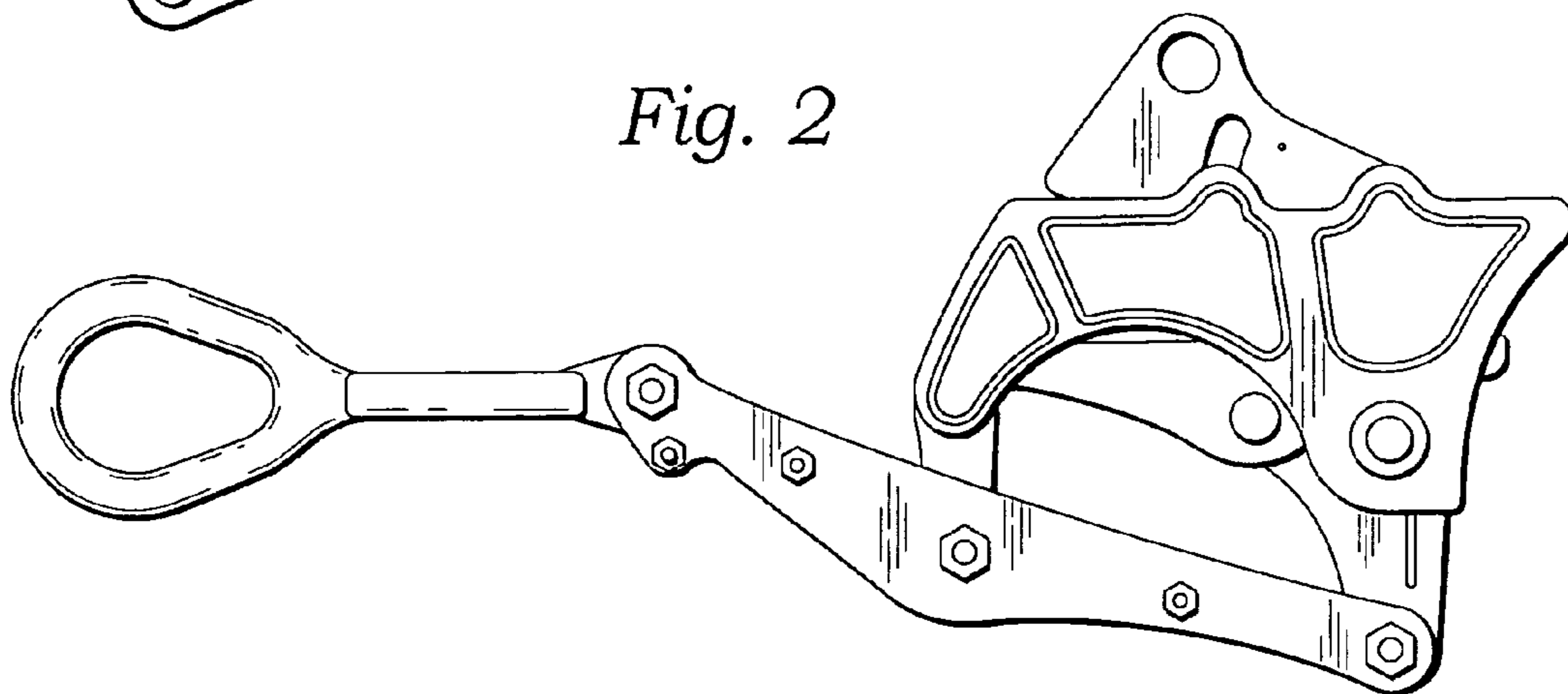
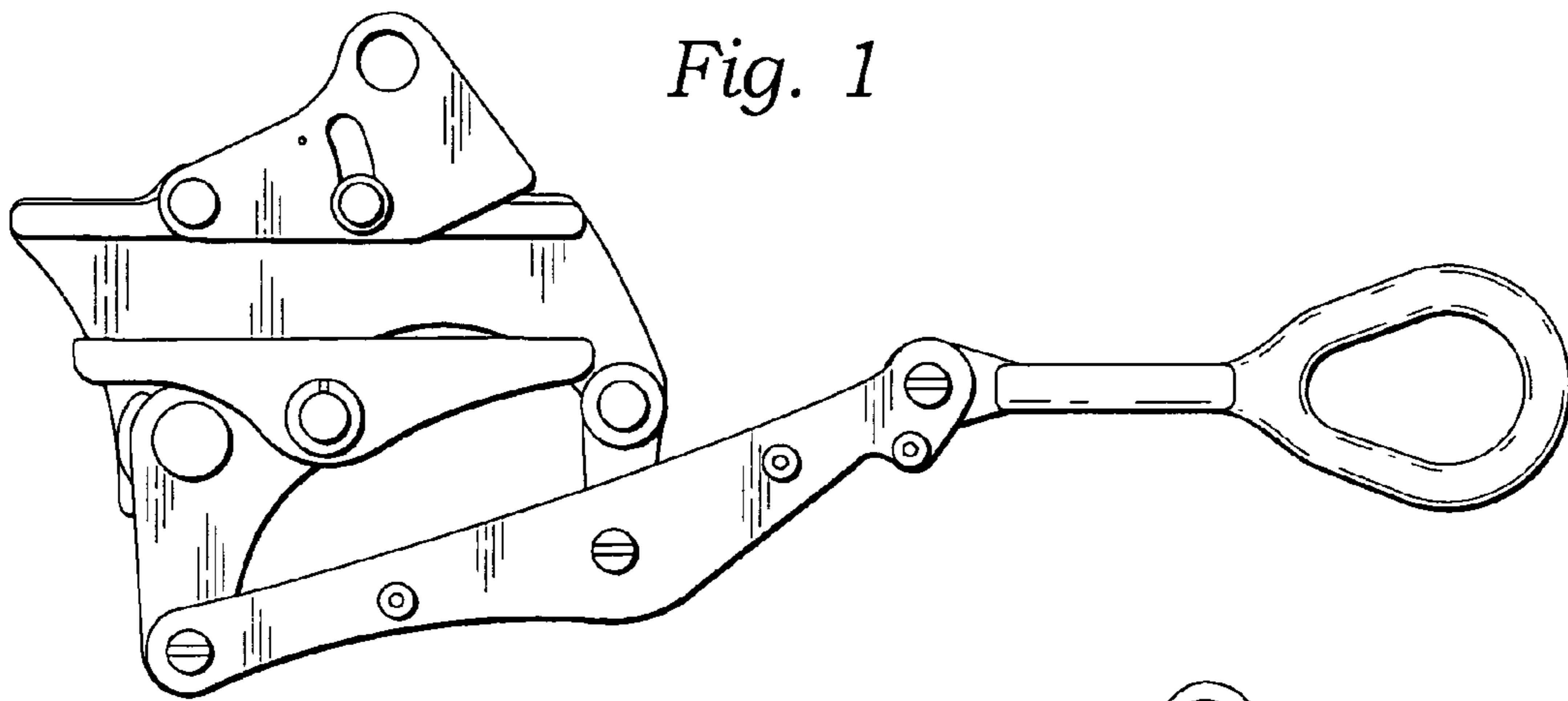


Fig. 6

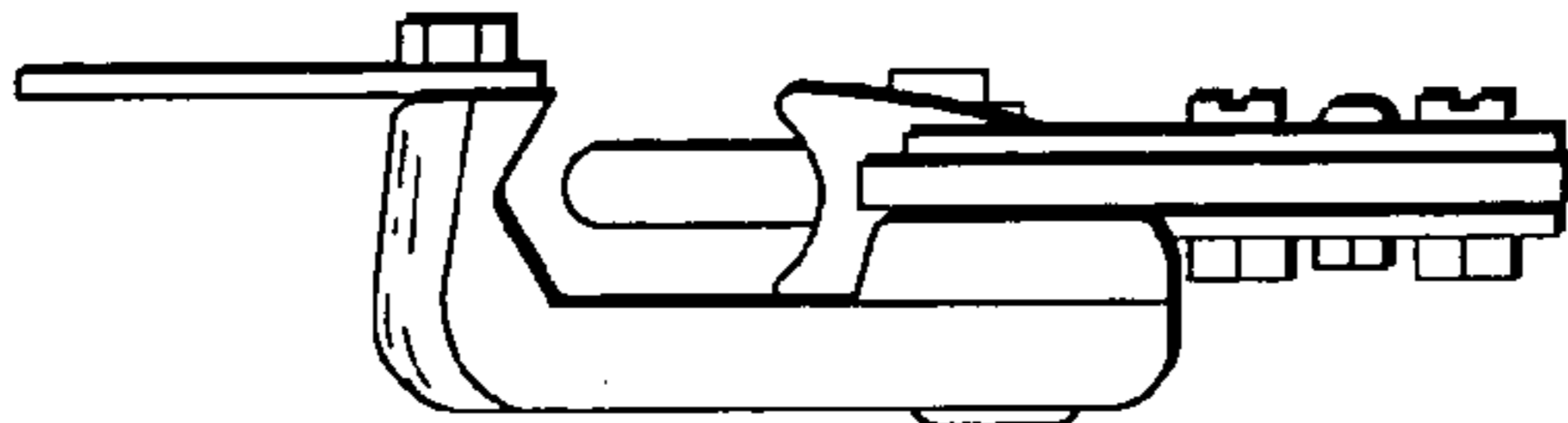


Fig. 5

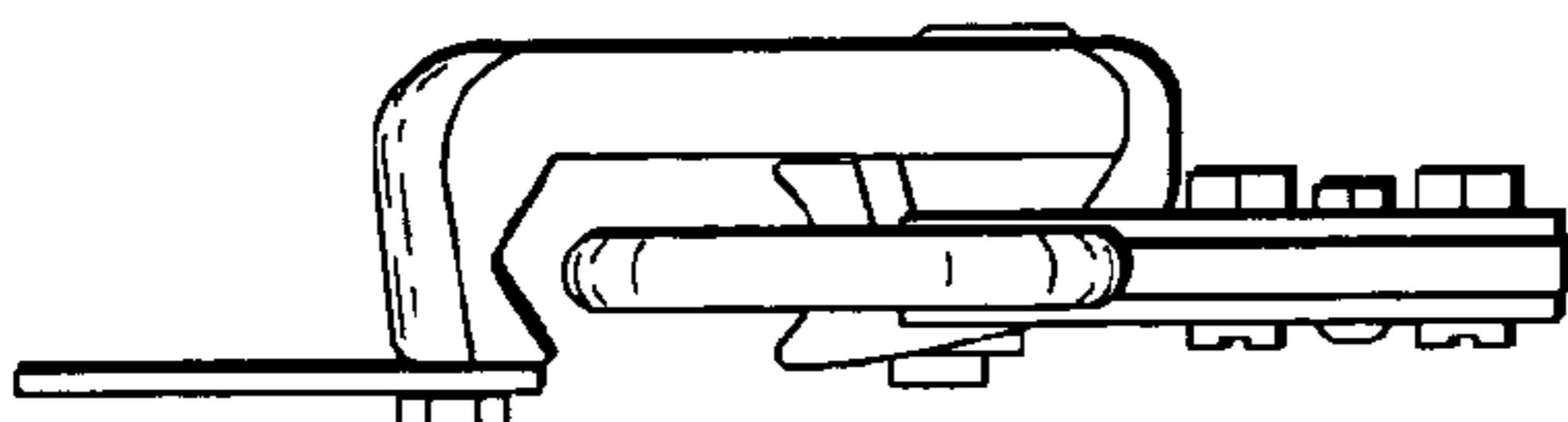


Fig. 7

