



US00D633782S

(12) **United States Design Patent**
Tompkins

(10) **Patent No.:** **US D633,782 S**
(45) **Date of Patent:** **** Mar. 8, 2011**

(54) **SOCKET**

(75) Inventor: **Justin Allen Tompkins**, Jamestown, TN
(US)

(73) Assignee: **Justin Allen Tompkins**, Jamestown, TN
(US)

(**) Term: **14 Years**

(21) Appl. No.: **29/355,049**

(22) Filed: **Feb. 2, 2010**

(51) **LOC (9) Cl.** **08-08**

(52) **U.S. Cl.** **D8/382**

(58) **Field of Classification Search** D8/382,
D8/349, 354, 70, 14, 390, 395; D11/86;
411/508-510; 403/300, 345; 81/124.2, 119,
81/121.1, 125; D19/65, 86, 90; 24/351,
24/352, 353, 509-510

See application file for complete search history.

(56) **References Cited**

U.S. PATENT DOCUMENTS

169,489 A	11/1875	Smeaton	
3,010,346 A	11/1961	Kulp	
3,086,414 A	4/1963	Nardi	
4,357,845 A	11/1982	Cornia	
5,048,378 A	9/1991	Nikolas	
5,697,268 A *	12/1997	Makovsky et al.	81/125
5,791,208 A	8/1998	Grubbs	
D418,396 S *	1/2000	Hirano et al.	D8/382
D422,200 S *	4/2000	Maruyama	D8/382
6,360,634 B1	3/2002	Leitch	
6,374,707 B1	4/2002	Browning	
6,379,020 B1	4/2002	Lewis et al.	
6,609,445 B2	8/2003	Elmore	
D484,768 S *	1/2004	Warfel et al.	D8/86
6,729,210 B2	5/2004	Morris	
6,871,401 B1	3/2005	Blankenship	
D518,365 S *	4/2006	Wamsley	D8/382
D539,131 S *	3/2007	Hsien	D8/382
D561,545 S	2/2008	Jahn	
D570,657 S *	6/2008	Hsieh	D8/29

D573,453 S *	7/2008	Buckley	D8/382
D583,224 S *	12/2008	Holdsworth	D8/382
D594,305 S	6/2009	Gyder	
2003/0000349 A1	1/2003	Morris	

(Continued)

FOREIGN PATENT DOCUMENTS

JP	2004202651	7/2004
----	------------	--------

Primary Examiner—Holly H Baynham
Assistant Examiner—Sheryl Lane
(74) *Attorney, Agent, or Firm*—Luedeka, Neely & Graham
PC

(57) **CLAIM**

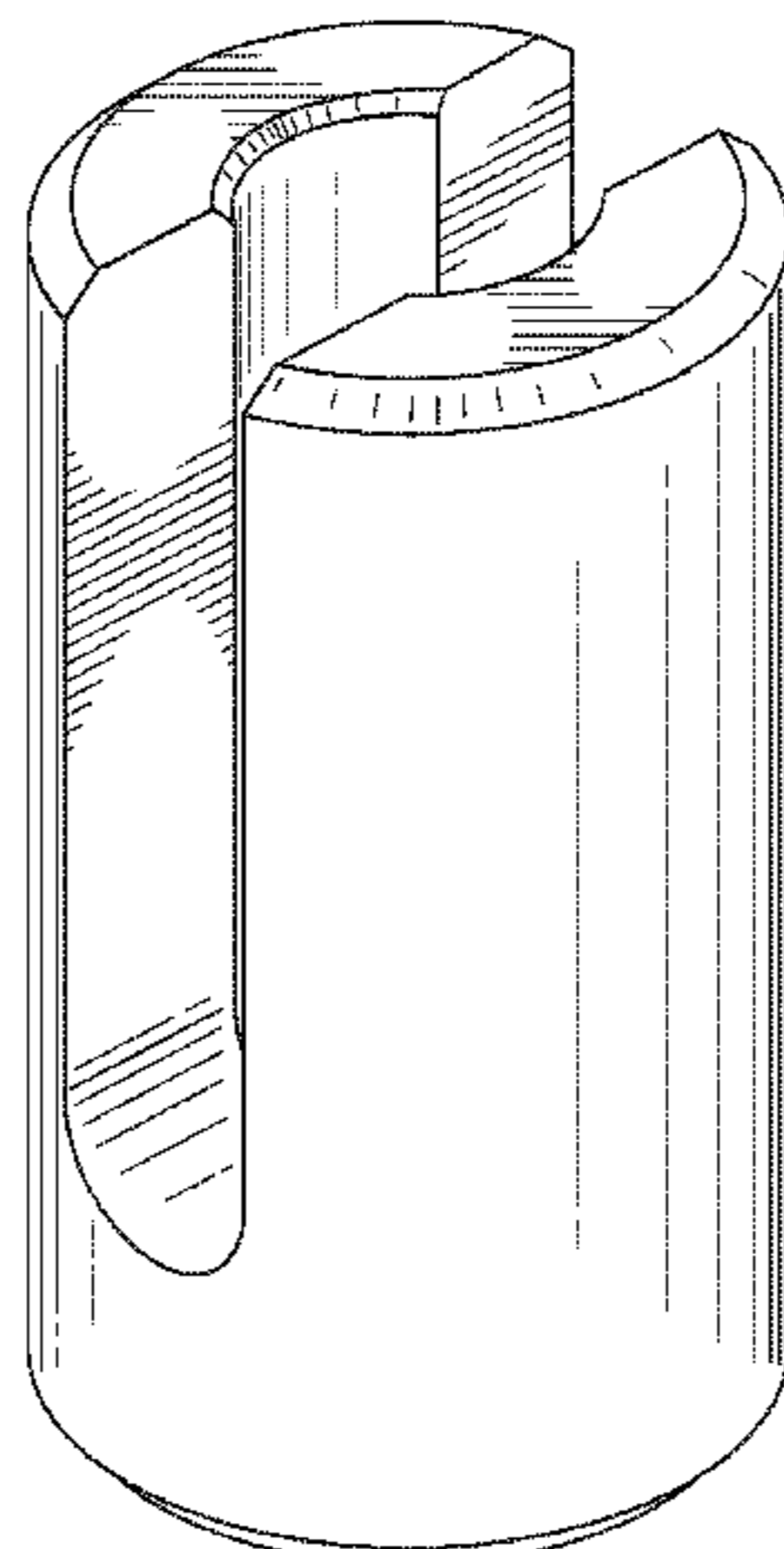
The ornamental design for a socket, as shown and described.

DESCRIPTION

FIG. 1 is a perspective view of the socket of my new design;
FIG. 2 is a first side view of the socket of my new design;
FIG. 3 is a second side view of the socket of my new design;
FIG. 4 is a third side view of the socket of my new design;
FIG. 5 is a fourth side view of the socket of my new design;
FIG. 6 is a first end plan view of the socket of my new design;
and,
FIG. 7 is a second end plan view of the socket of my new
design.

The broken line showing of the socket is included for the
purpose of illustrating portions of the socket and forms no
part of the claimed design.

1 Claim, 6 Drawing Sheets



US D633,782 S

Page 2

U.S. PATENT DOCUMENTS

2005/0028650	A1	2/2005	Tassano et al.	2007/0006690	A1	1/2007	Foster	
2006/0169108	A1	8/2006	Boone	2008/0011128	A1	1/2008	Stephens	
2006/0243102	A1	11/2006	Vines	2008/0066584	A1	3/2008	Vines	
				2010/0064859	A1*	3/2010	Stephens 81/125

* cited by examiner

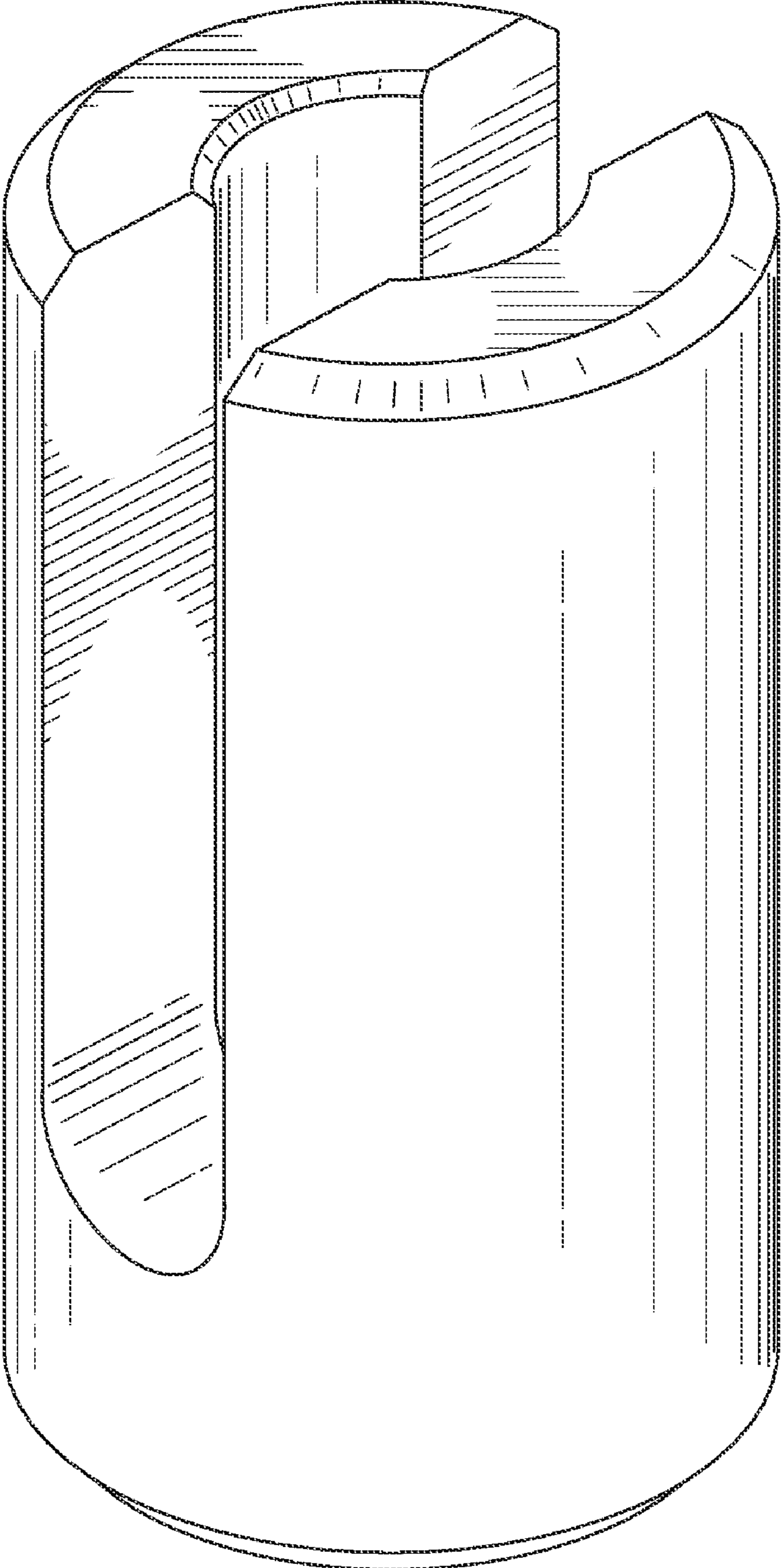


FIG. 1

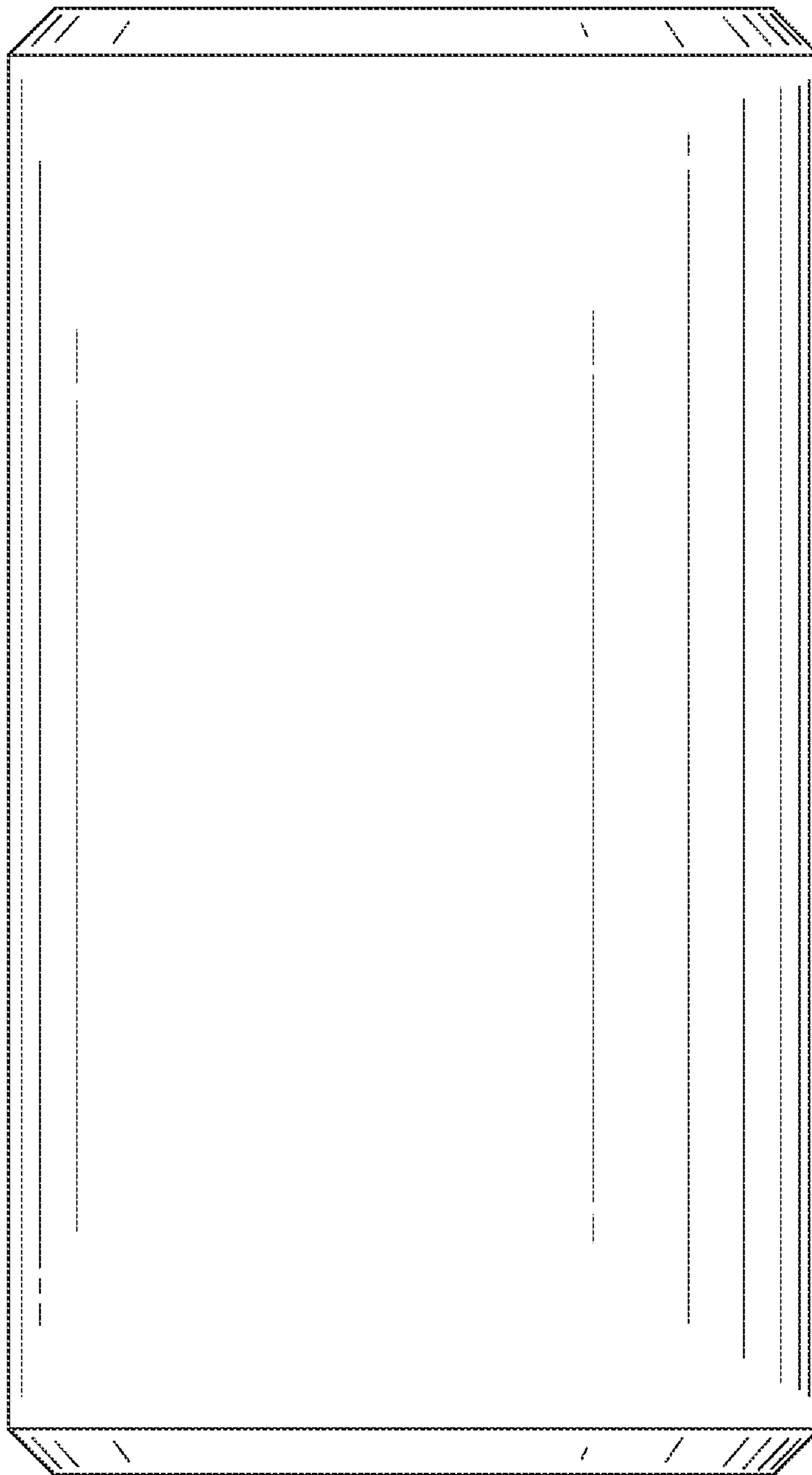


FIG. 2

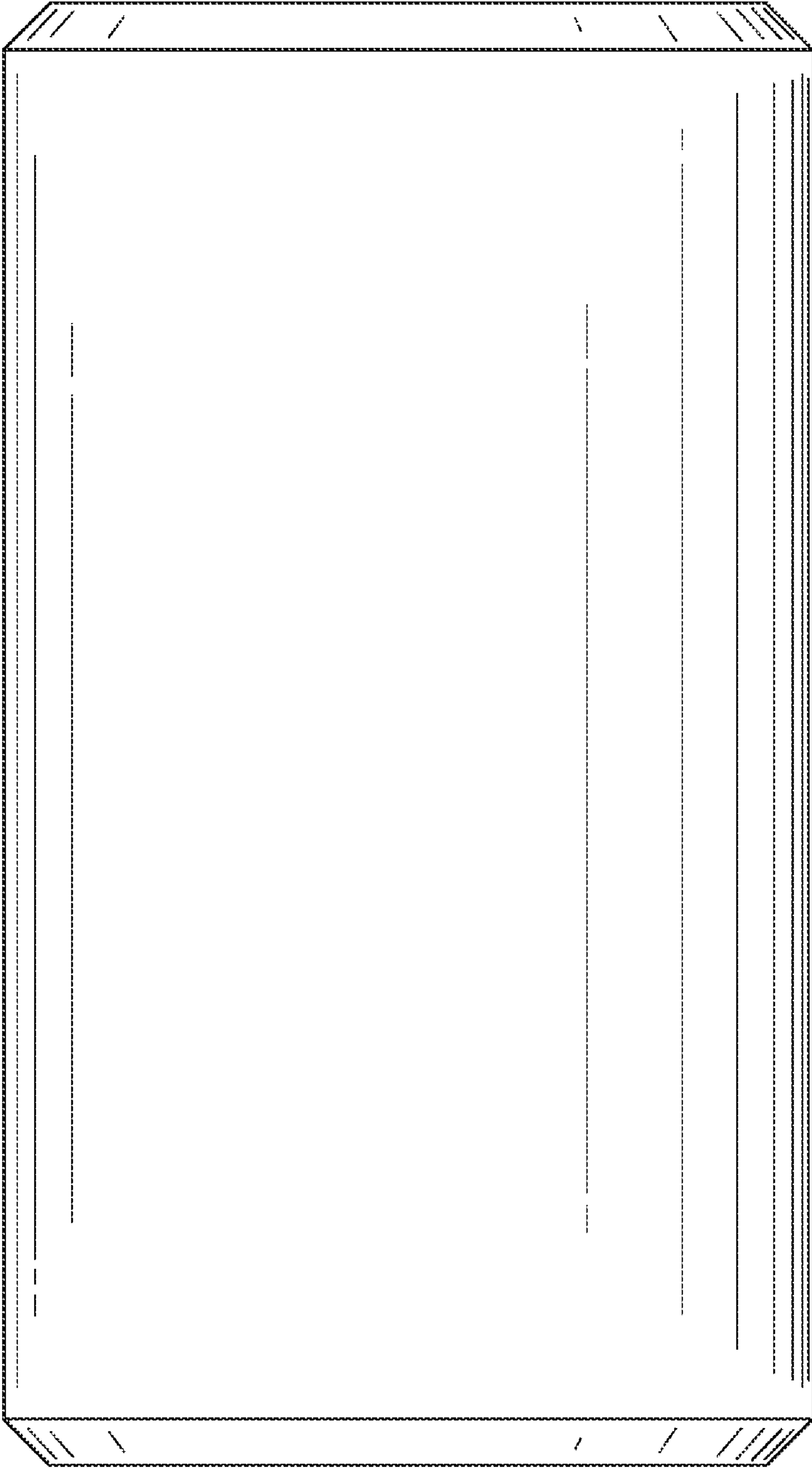


FIG. 3

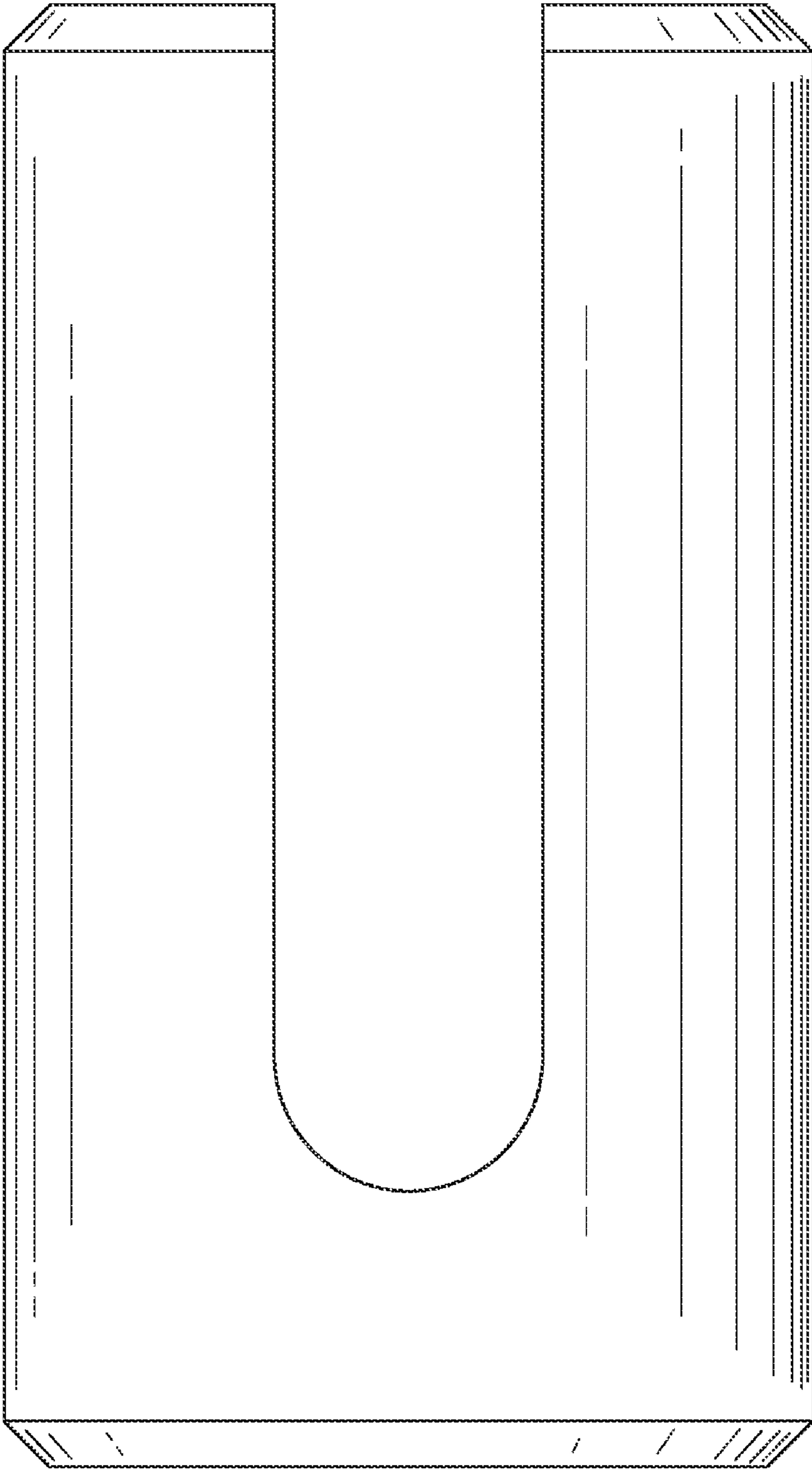


FIG. 4

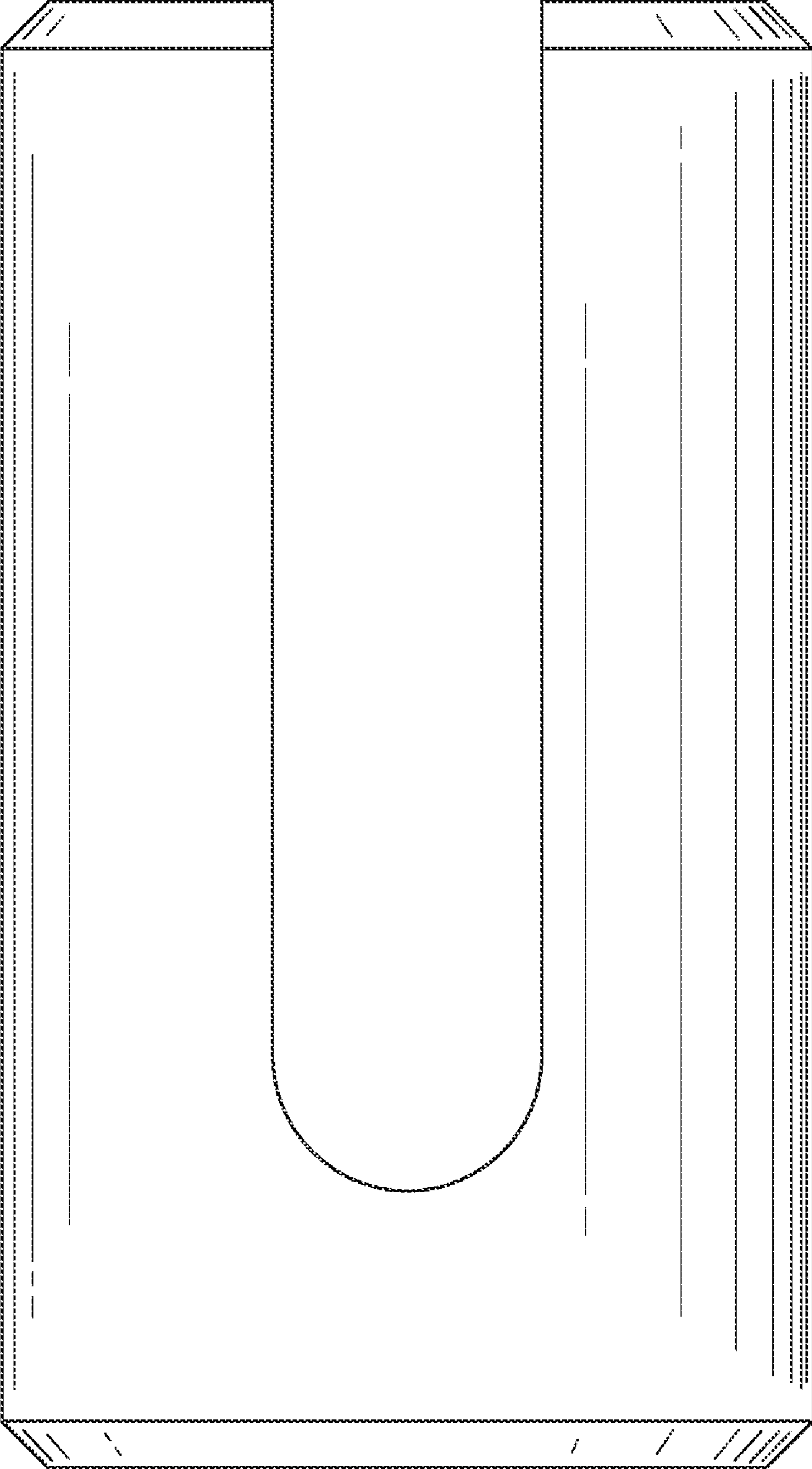


FIG. 5

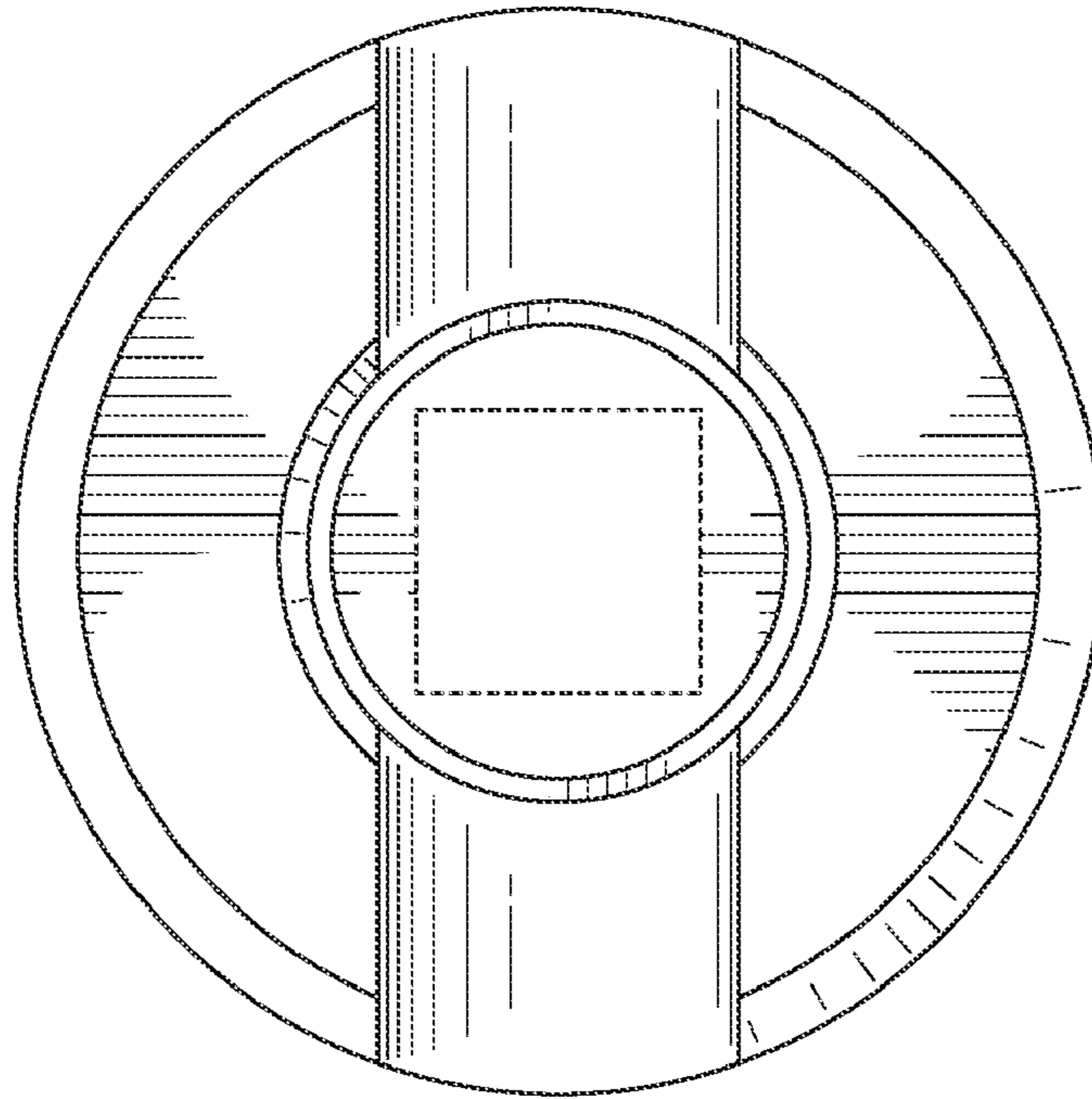


FIG. 6

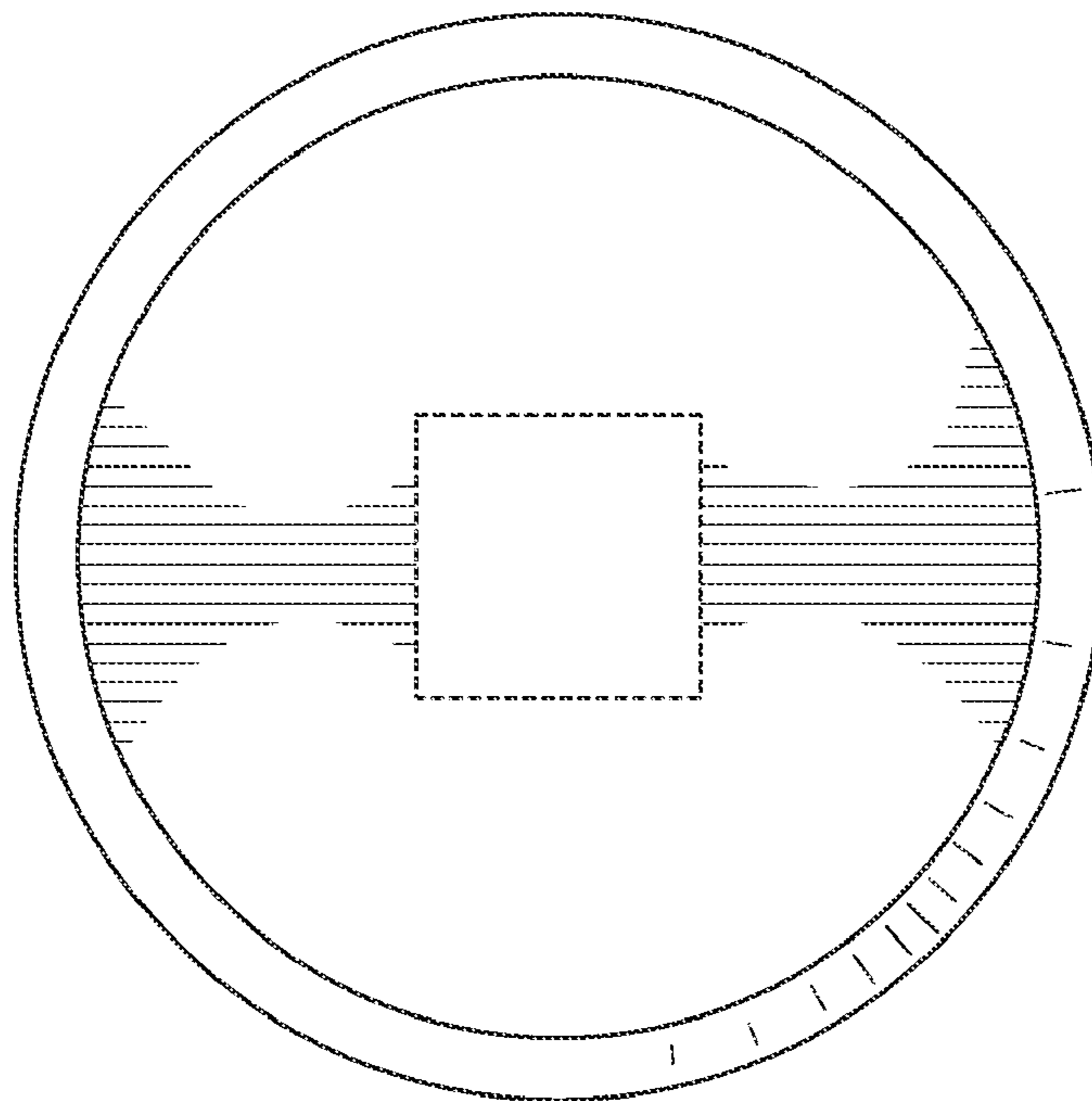


FIG. 7