



US00D633781S

(12) **United States Design Patent**
Wood

(10) **Patent No.:** **US D633,781 S**
(45) **Date of Patent:** **** Mar. 8, 2011**

(54) **SHELVING SUPPORT BRACKET**
(76) Inventor: **Timothy James Wood**, Wynantskill, NY
(US)
(**) Term: **14 Years**
(21) Appl. No.: **29/357,091**
(22) Filed: **Mar. 6, 2010**
(51) **LOC (9) Cl.** **08-05**
(52) **U.S. Cl.** **D8/381**
(58) **Field of Classification Search** D8/382,
D8/381, 380, 373, 360, 359, 358, 354, 349;
D3/24; D15/5, 199, 147, 138; 474/7, 66,
474/47-53, 29, 198, 196, 161; 315/15; 248/638,
248/636, 250, 235, 200; 242/532.6, 530.3,
242/476.6, 118.6; 239/197; 160/315; 137/355.26,
137/355.2, 355.19, 355.16; 108/157.13,
108/147.12-147.17
See application file for complete search history.

5,799,803 A 9/1998 Muller
6,802,169 B2 * 10/2004 Simmons 52/648.1
D504,609 S * 5/2005 Ferguson D8/380
D537,326 S 2/2007 Wolff et al.
D547,976 S * 8/2007 Torrente Bonatti et al. ... D6/491
D547,977 S * 8/2007 Torrente Bonatti et al. ... D6/491
D550,484 S * 9/2007 Bonatti et al. D6/509
D569,228 S * 5/2008 Terada et al. D8/349
D575,630 S * 8/2008 Deuer D8/354
D598,735 S * 8/2009 Wakasugi et al. D8/382
D606,385 S * 12/2009 Hansson et al. D8/380
D609,081 S * 2/2010 Gulley D8/380
D610,439 S 2/2010 Wood
D611,332 S * 3/2010 Tedesco et al. D8/380
2003/0006681 A1 1/2003 Herron et al.
2006/0197002 A1 9/2006 Dute et al.
2007/0119108 A1 5/2007 Downard
2008/0017772 A1 1/2008 Wooten

* cited by examiner

Primary Examiner — Susan Bennett Hattan

(56) **References Cited**

U.S. PATENT DOCUMENTS

1,018,987 A * 2/1912 Philpot et al. 52/177
3,685,465 A * 8/1972 Haumer 108/60
4,127,974 A 12/1978 Wendt
4,183,488 A * 1/1980 Shepard 248/247
4,493,425 A * 1/1985 Yoshida 211/189
4,516,376 A * 5/1985 King 52/655.1
4,551,960 A * 11/1985 Fleishman 52/655.1
4,577,449 A * 3/1986 Celli 403/191
4,653,712 A 3/1987 Murray et al.
4,673,308 A * 6/1987 Reilly 403/172
4,805,860 A 2/1989 Holmstrom
D313,720 S 1/1991 Sorenson et al.
5,160,188 A 11/1992 Rorke et al.
D357,407 S 4/1995 Pate

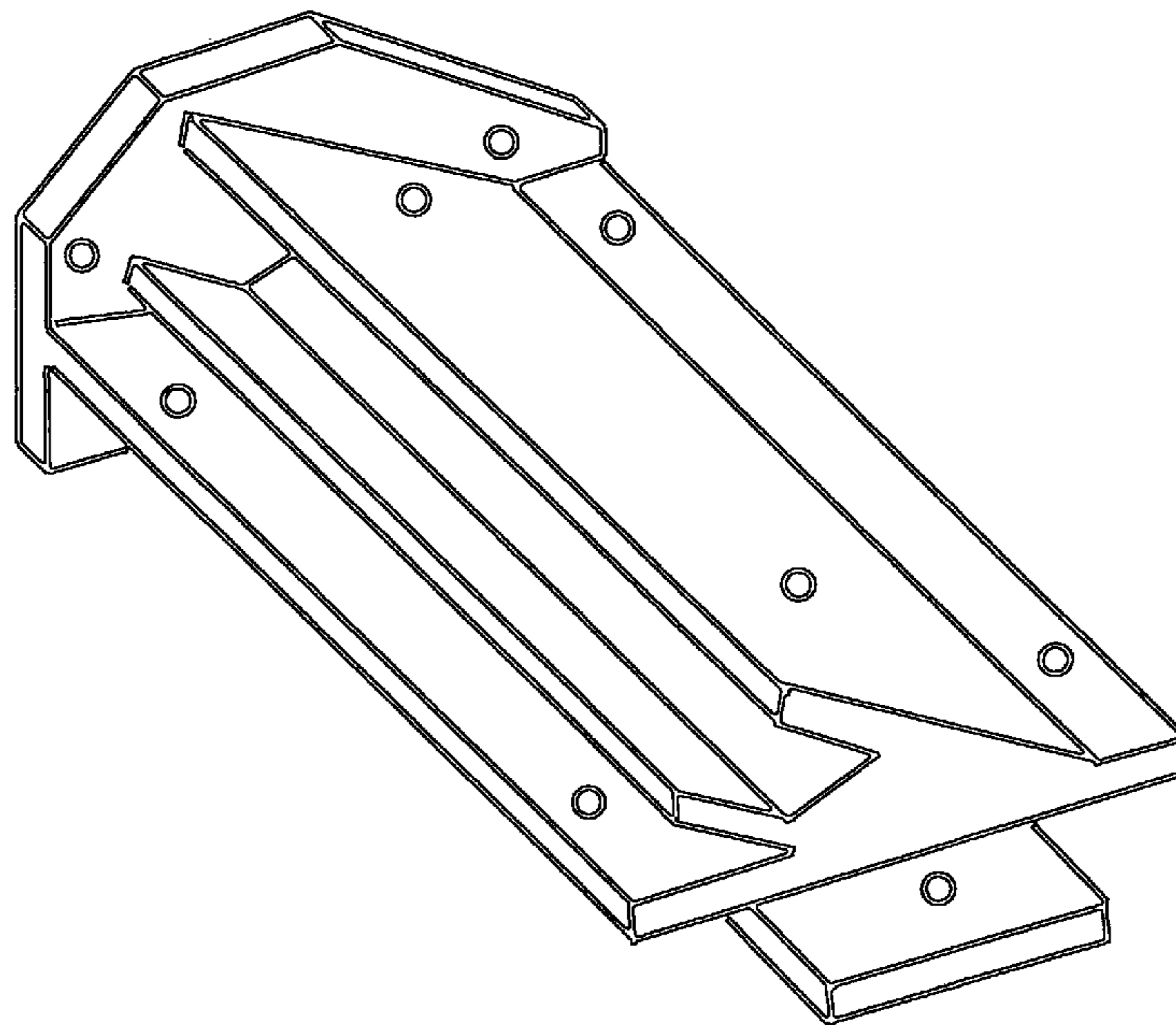
(57) **CLAIM**

The original design for a shelving support bracket, as shown and described.

DESCRIPTION

FIG. 1 is three-dimensional view of my new design from the front and left side of the shelving support bracket in accordance with the present invention. The circle on the surface of the shelving support bracket are indicating holes.
FIG. 2 is a top view thereof;
FIG. 3 is a left side view thereof;
FIG. 4 is a right side view thereof;
FIG. 5 is a back view thereof;
FIG. 6 is a bottom view thereof; and,
FIG. 7 is a front view thereof.

1 Claim, 7 Drawing Sheets



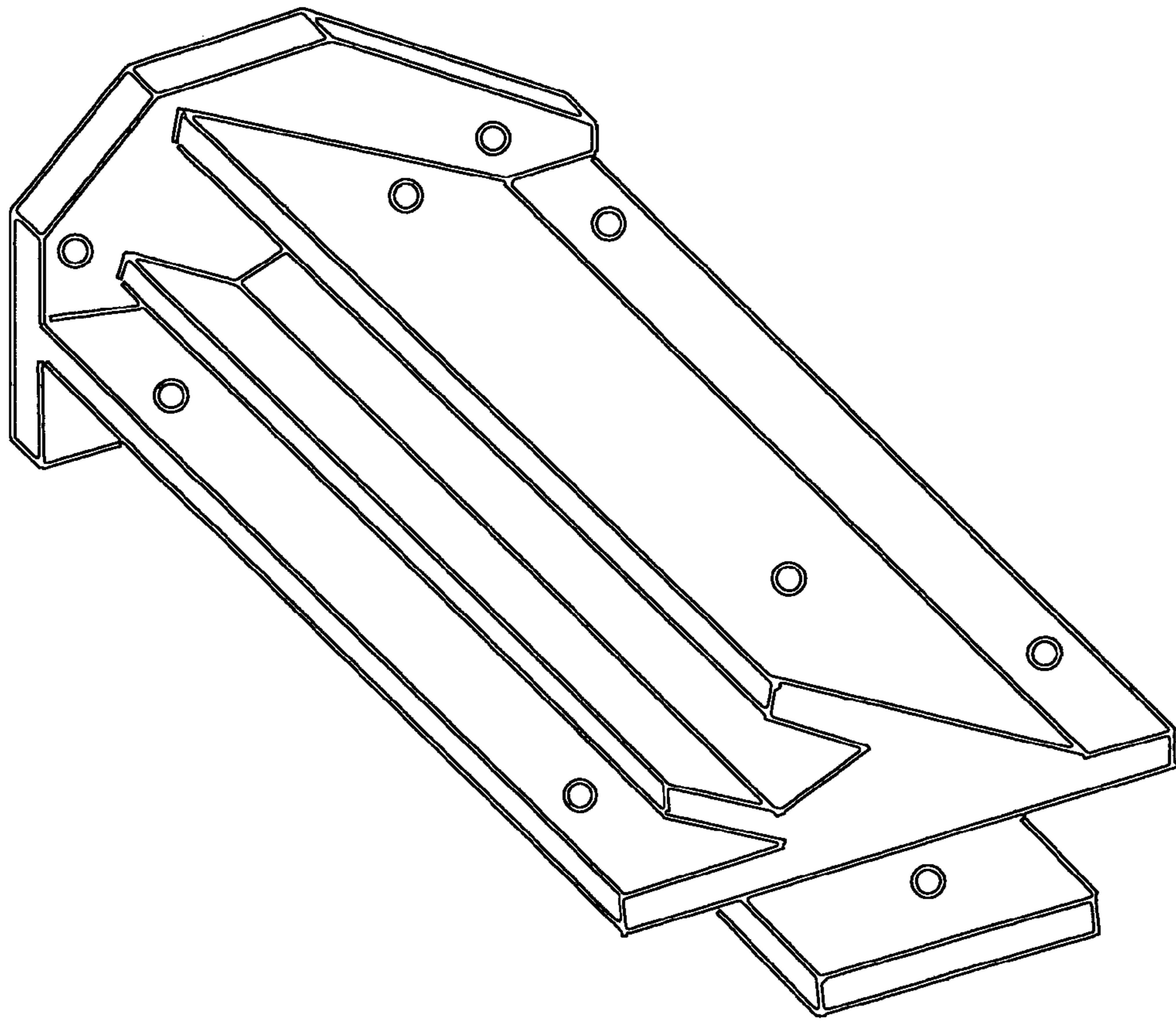


FIG 1

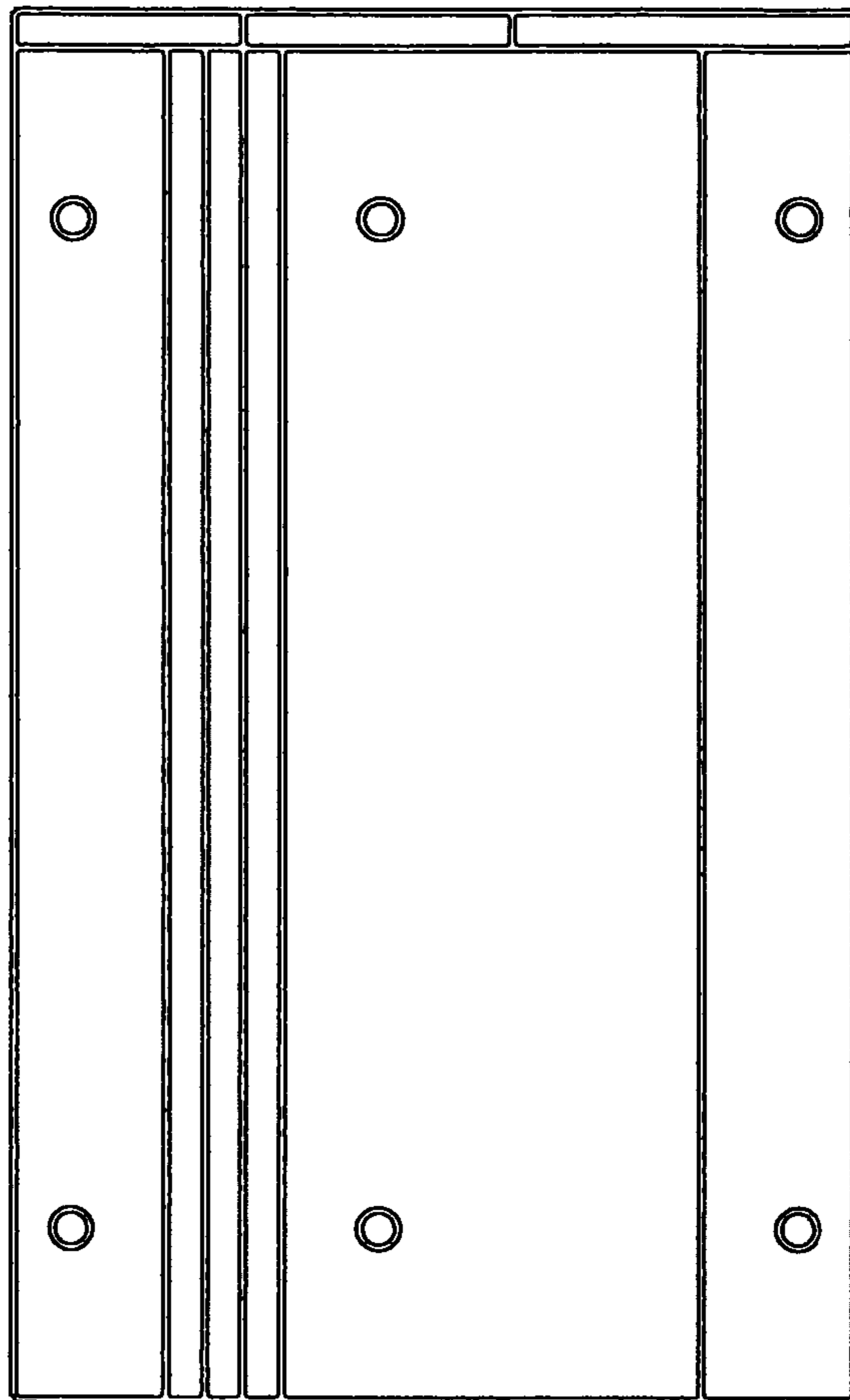


FIG 2

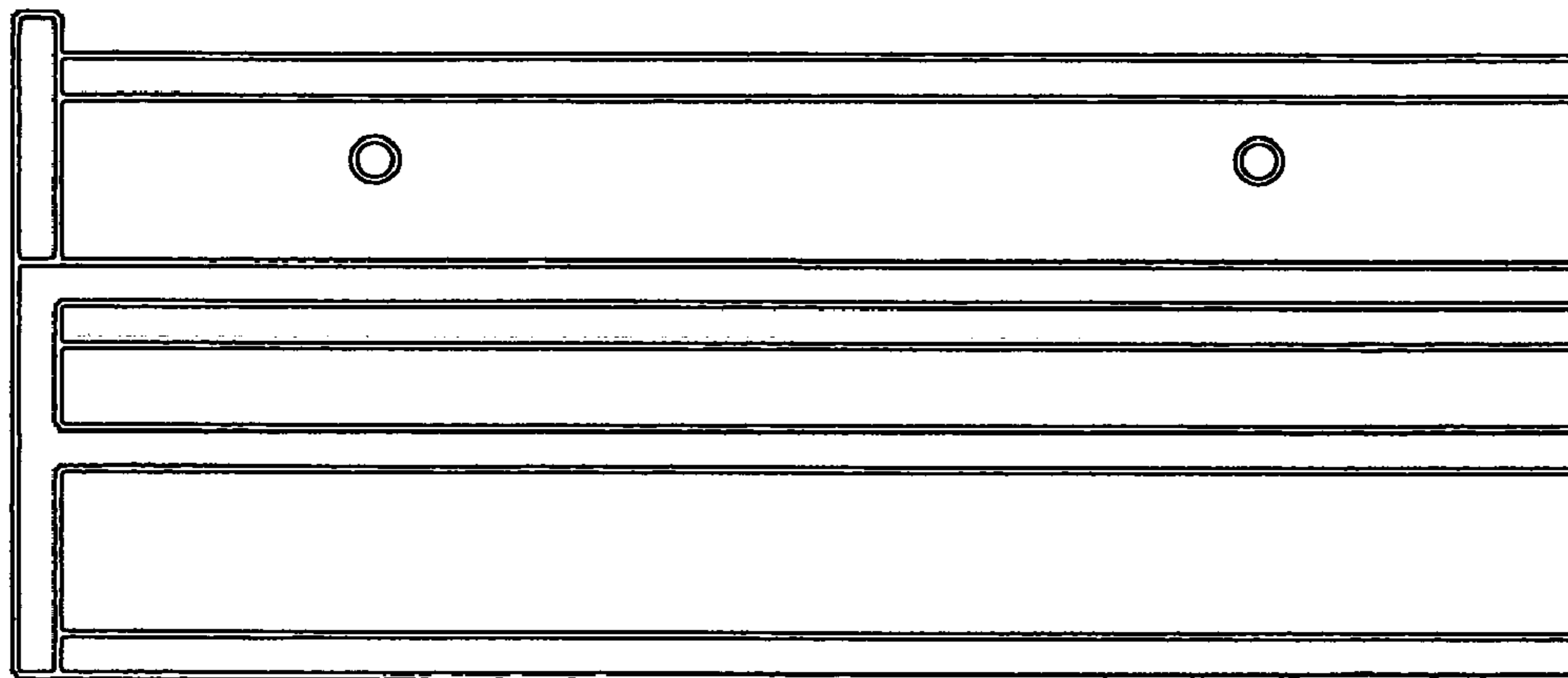


FIG 3

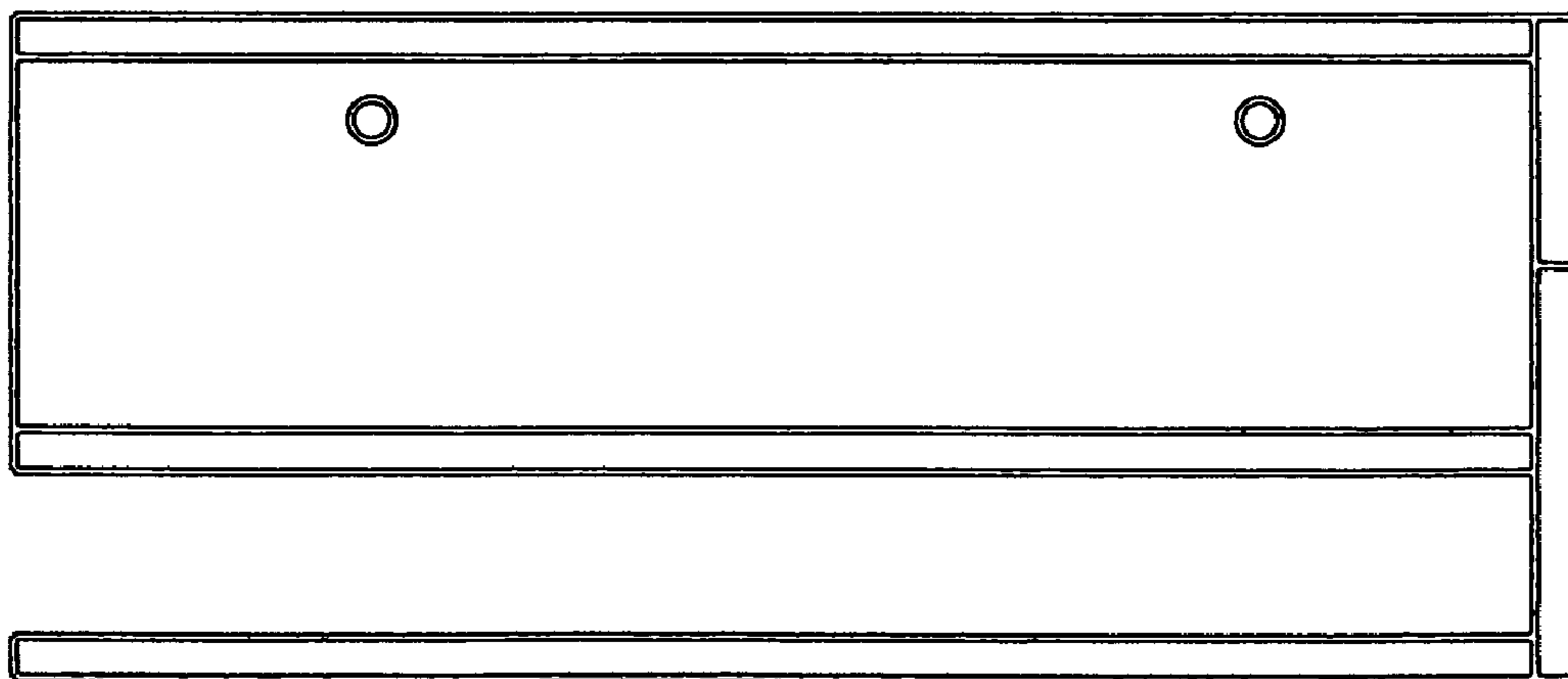
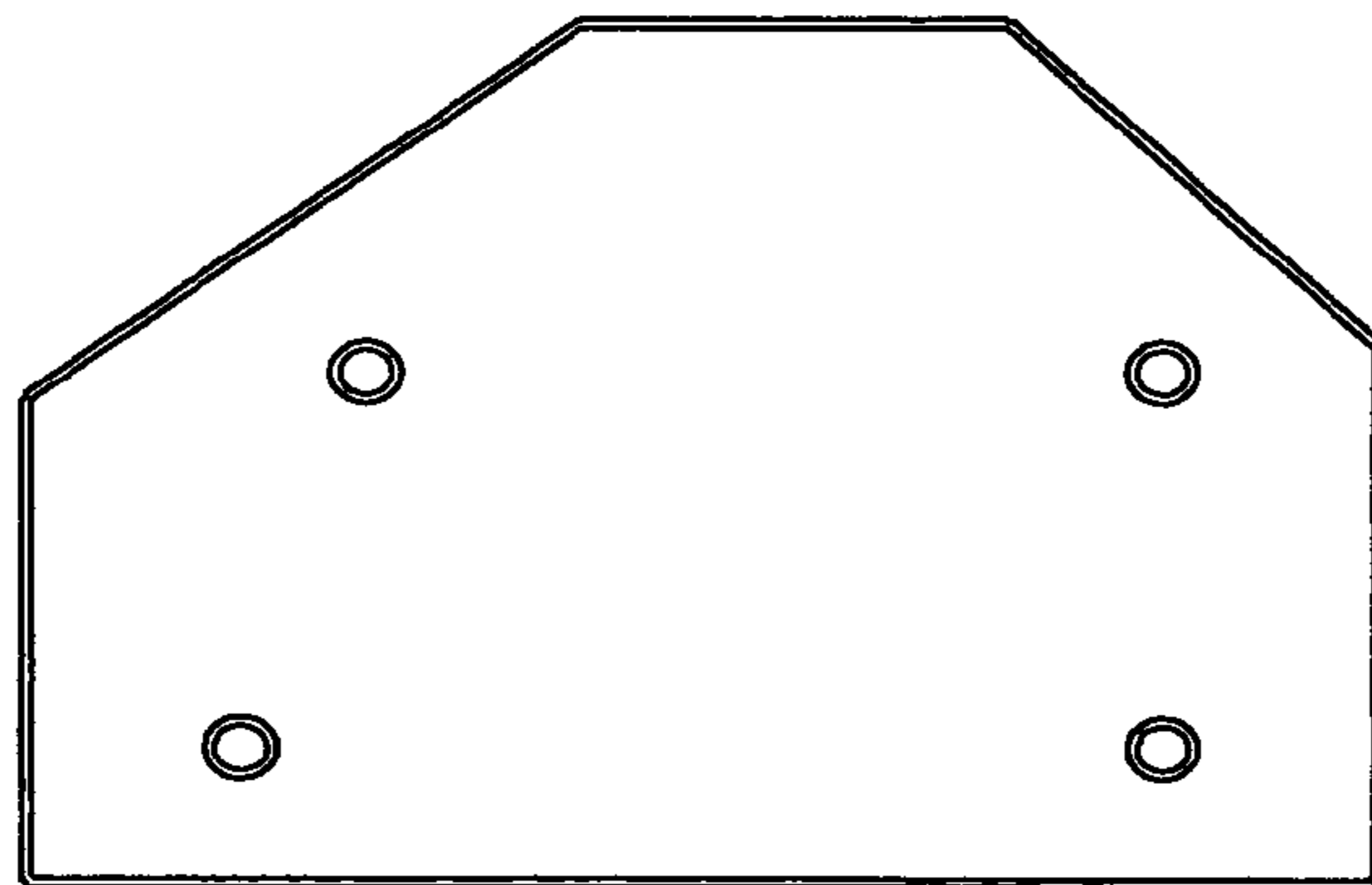


FIG 4

FIG 5



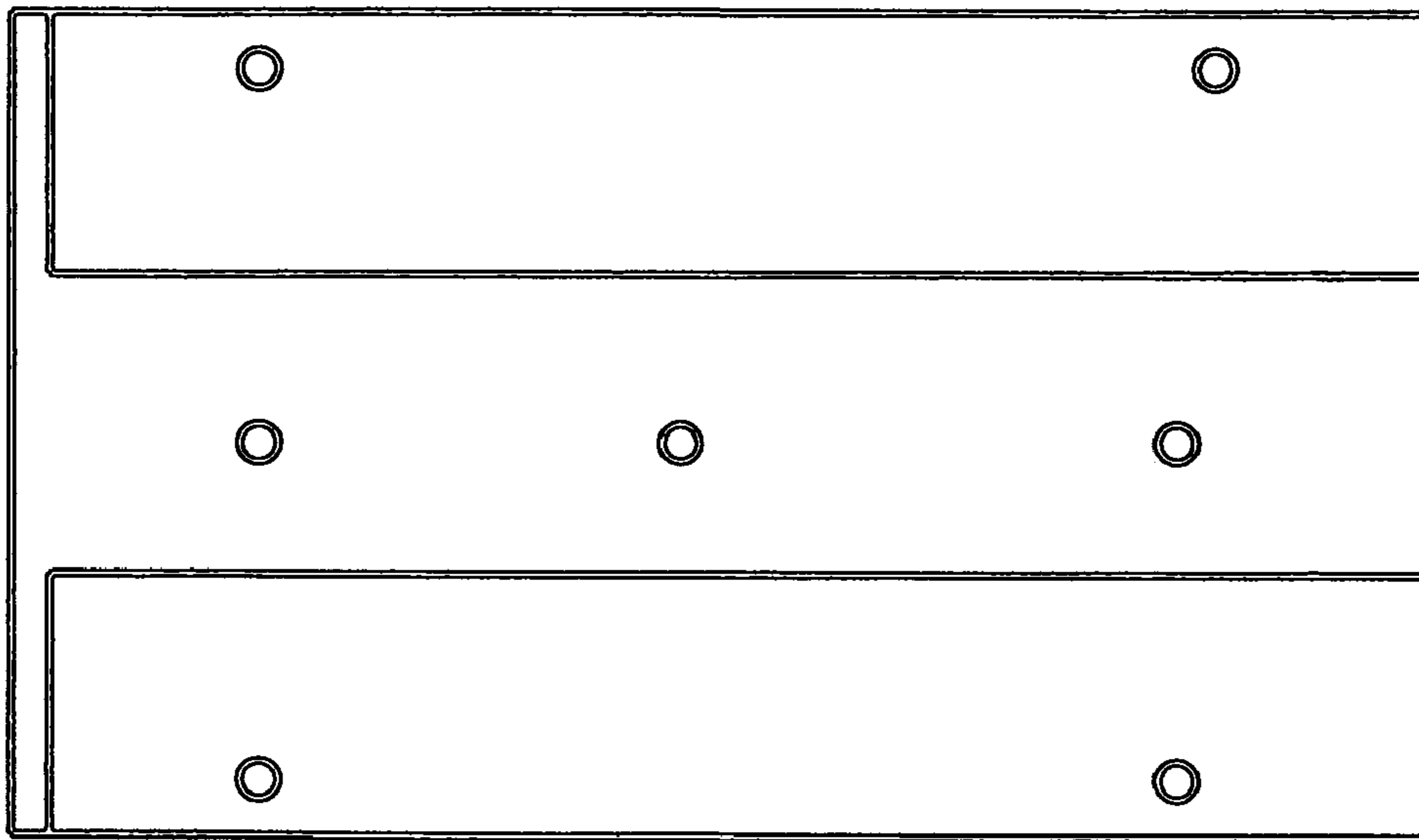


FIG 6

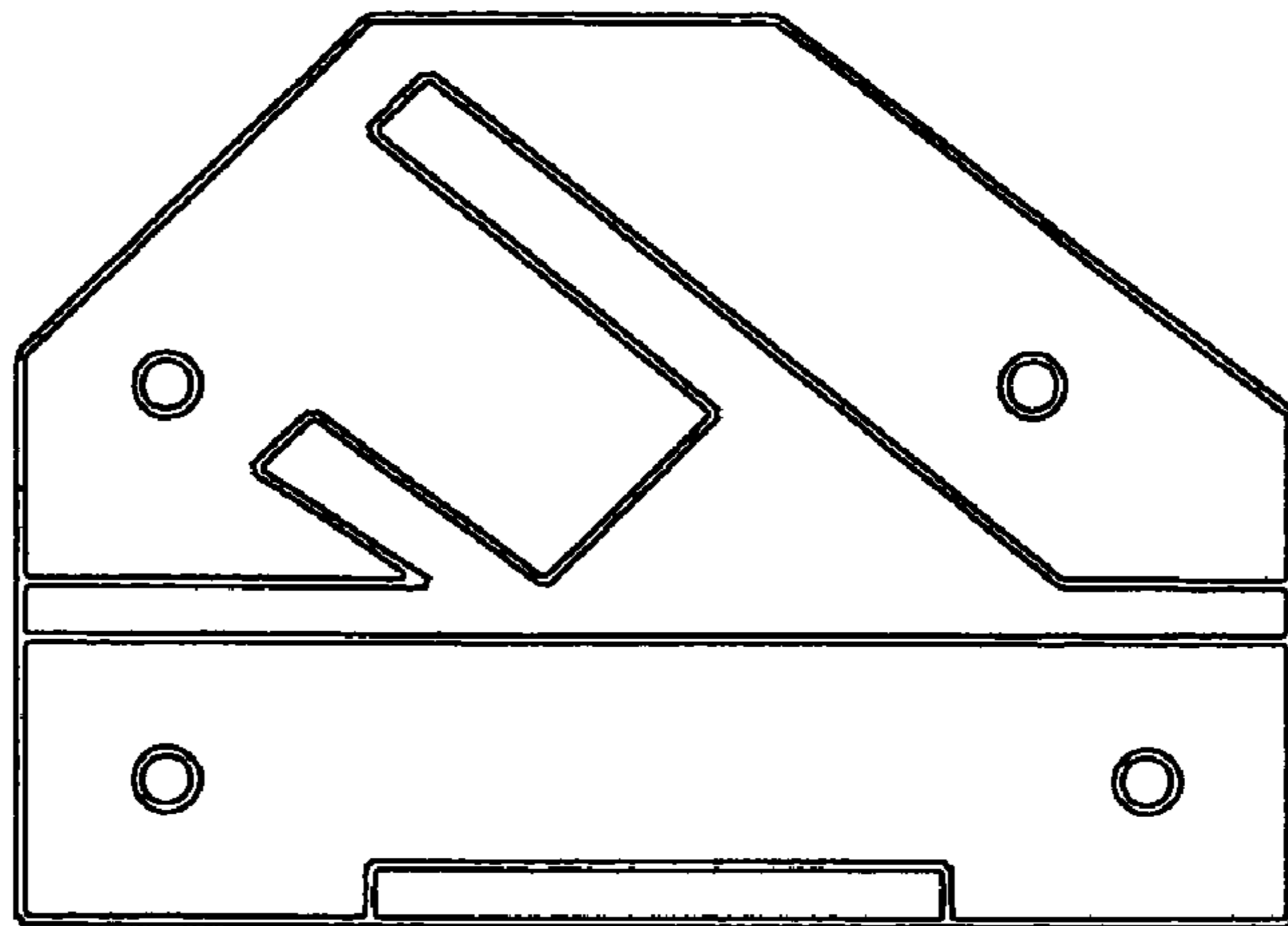


FIG 7