



US00D633780S

(12) **United States Design Patent**
Barrese

(10) **Patent No.:** **US D633,780 S**

(45) **Date of Patent:** **** Mar. 8, 2011**

(54) **SHOWER CURTAIN ROD ASSEMBLY**
(75) Inventor: **Charles Barrese**, Huntington, NY (US)
(73) Assignee: **Ex-Cell Home Fashions, Inc.**, New York, NY (US)

D483,251 S 12/2003 Suero, Jr.
6,694,543 B2 2/2004 Moore
D498,663 S 11/2004 Moore
D542,392 S 5/2007 Hanley et al.
D542,897 S 5/2007 Harwanko
D552,455 S 10/2007 Moore
D567,637 S * 4/2008 Moore D8/363
D590,698 S * 4/2009 Moore et al. D8/363

(**) Term: **14 Years**

* cited by examiner

(21) Appl. No.: **29/357,006**

Primary Examiner — Holly H Baynham

(22) Filed: **Mar. 5, 2010**

(74) *Attorney, Agent, or Firm* — Alston & Bird LLP

(51) **LOC (9) Cl.** **08-05**

(52) **U.S. Cl.** **D8/363**

(58) **Field of Classification Search** D8/363;
248/309.1, 229.11; 211/105.4; 4/610

(57) **CLAIM**

The ornamental design for a shower curtain rod assembly, as shown and described.

See application file for complete search history.

DESCRIPTION

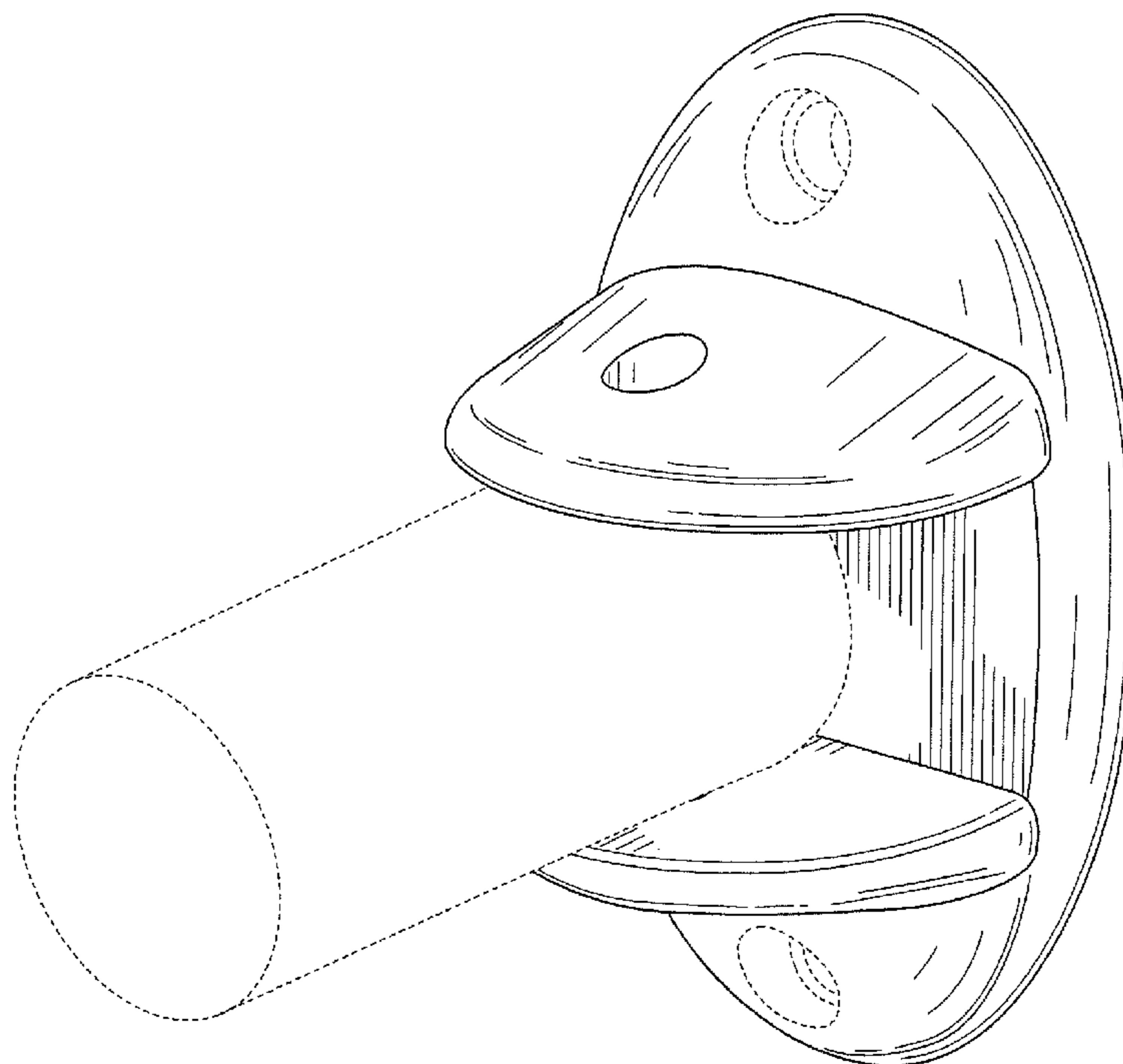
(56) **References Cited**

U.S. PATENT DOCUMENTS

1,675,111	A	6/1928	Kenney	
D119,576	S	3/1940	Kirsch	
2,383,104	A	8/1945	Allen	
2,778,030	A	1/1957	Goche	
3,107,361	A	10/1963	Glutting, Sr.	
3,864,760	A	2/1975	Bowen	
4,229,842	A	10/1980	Gilmore	
4,461,056	A	7/1984	Solinski	
4,754,504	A	7/1988	Cellini	
5,103,531	A	4/1992	Perrotta	
D397,928	S	9/1998	Wise	
5,894,610	A	4/1999	Winter	
D426,142	S	* 6/2000	Moore D8/363
6,216,287	B1	4/2001	Wise	
6,263,523	B1	7/2001	Moore	

FIG. 1 is a perspective view of an embodiment of a shower curtain rod assembly according to my new design, with a bracket shown attached to a shower curtain rod;
FIG. 2 is a front elevation view thereof;
FIG. 3 is a left side elevation view thereof, shown with the bracket attached to the shower curtain rod;
FIG. 4 is a right side elevation view thereof, shown with the bracket attached to the shower curtain rod;
FIG. 5 is a rear elevation view thereof;
FIG. 6 is a top plan view thereof, the bottom plan view being a mirror image thereof; and,
FIG. 7 is an exploded perspective view thereof, shown with the shower curtain rod separated from the bracket.
The broken line showing of openings and a partial pole is included for the purpose of illustrating environment and forms no part of the claimed design.

1 Claim, 7 Drawing Sheets



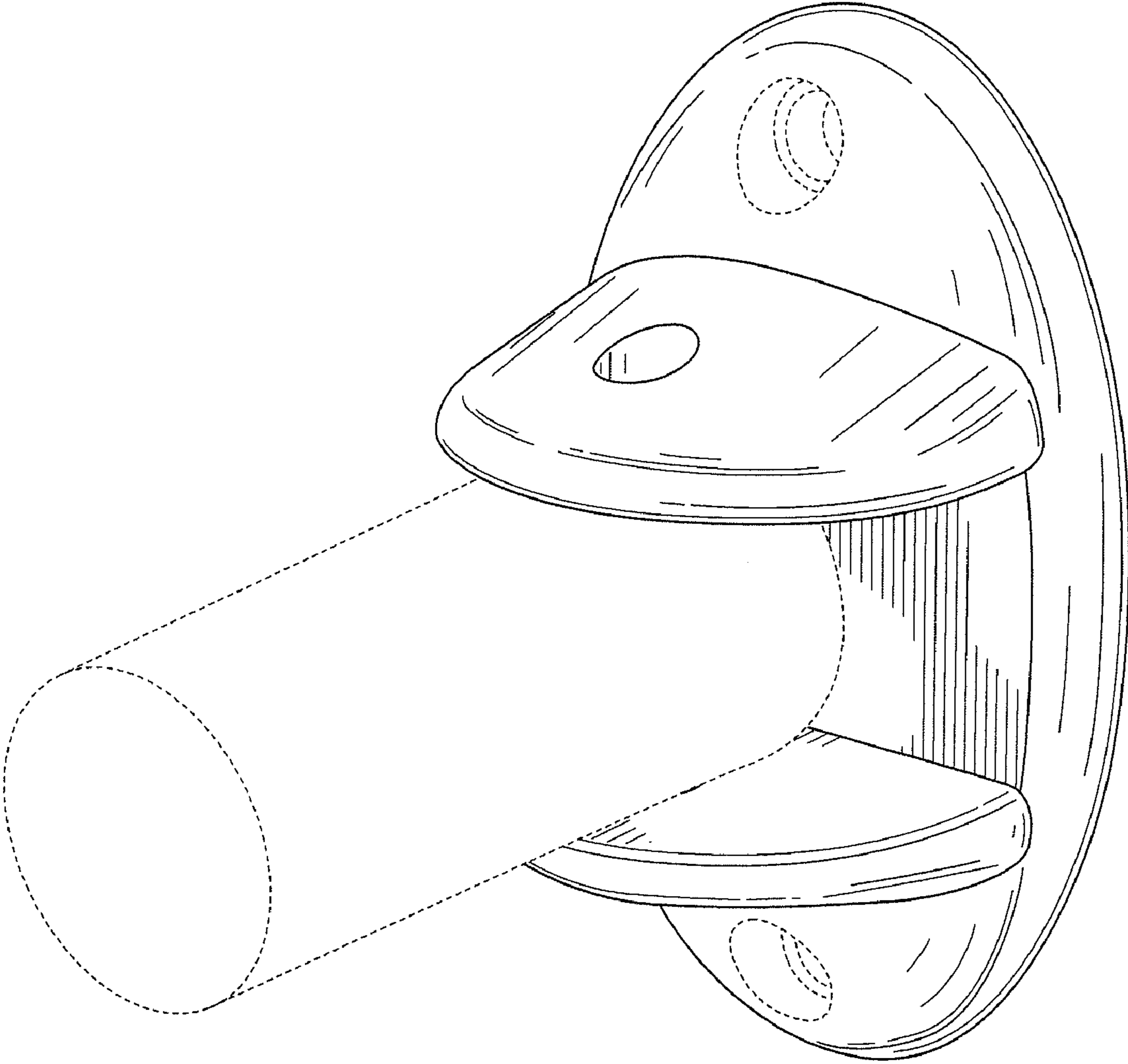


FIG. 1

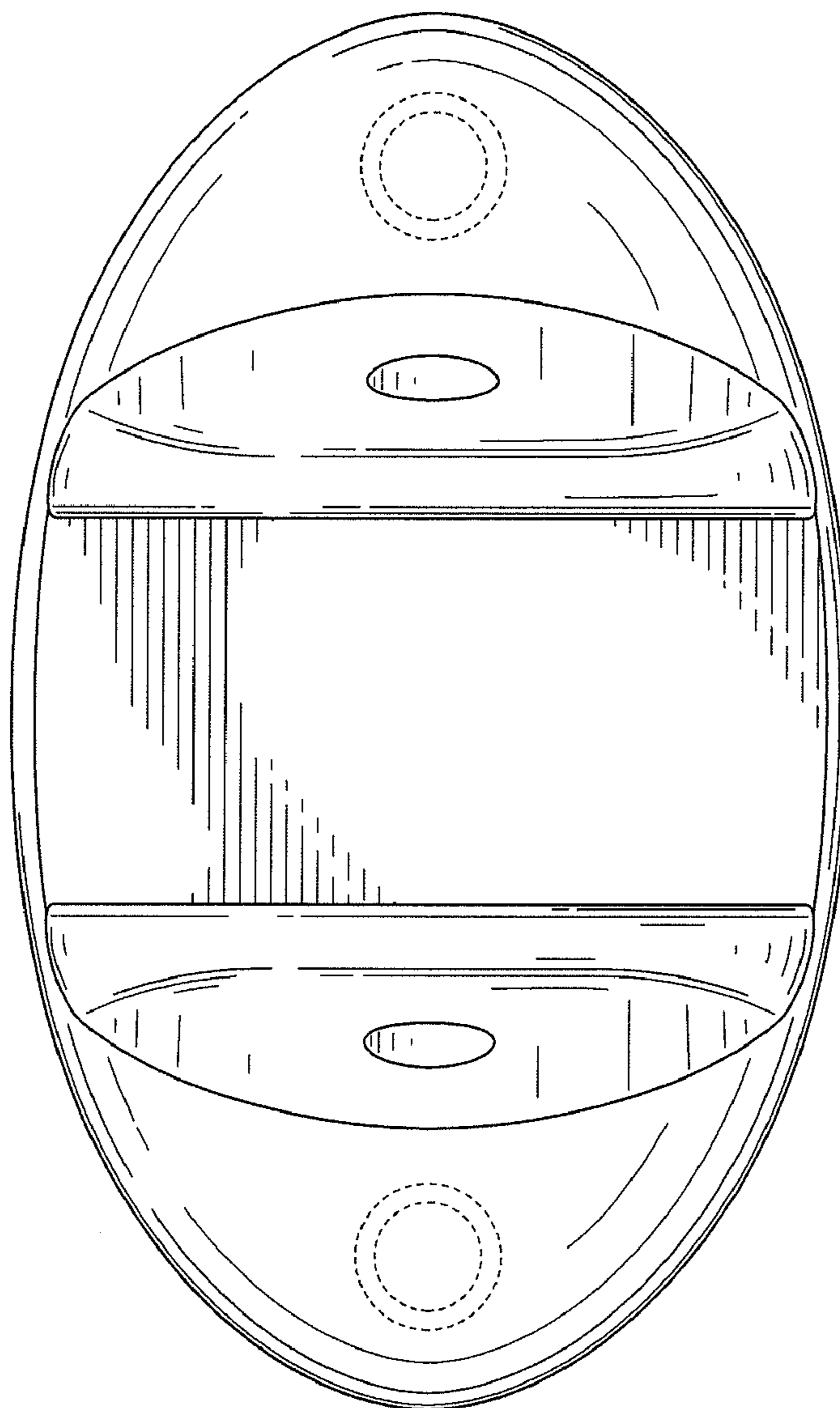


FIG. 2

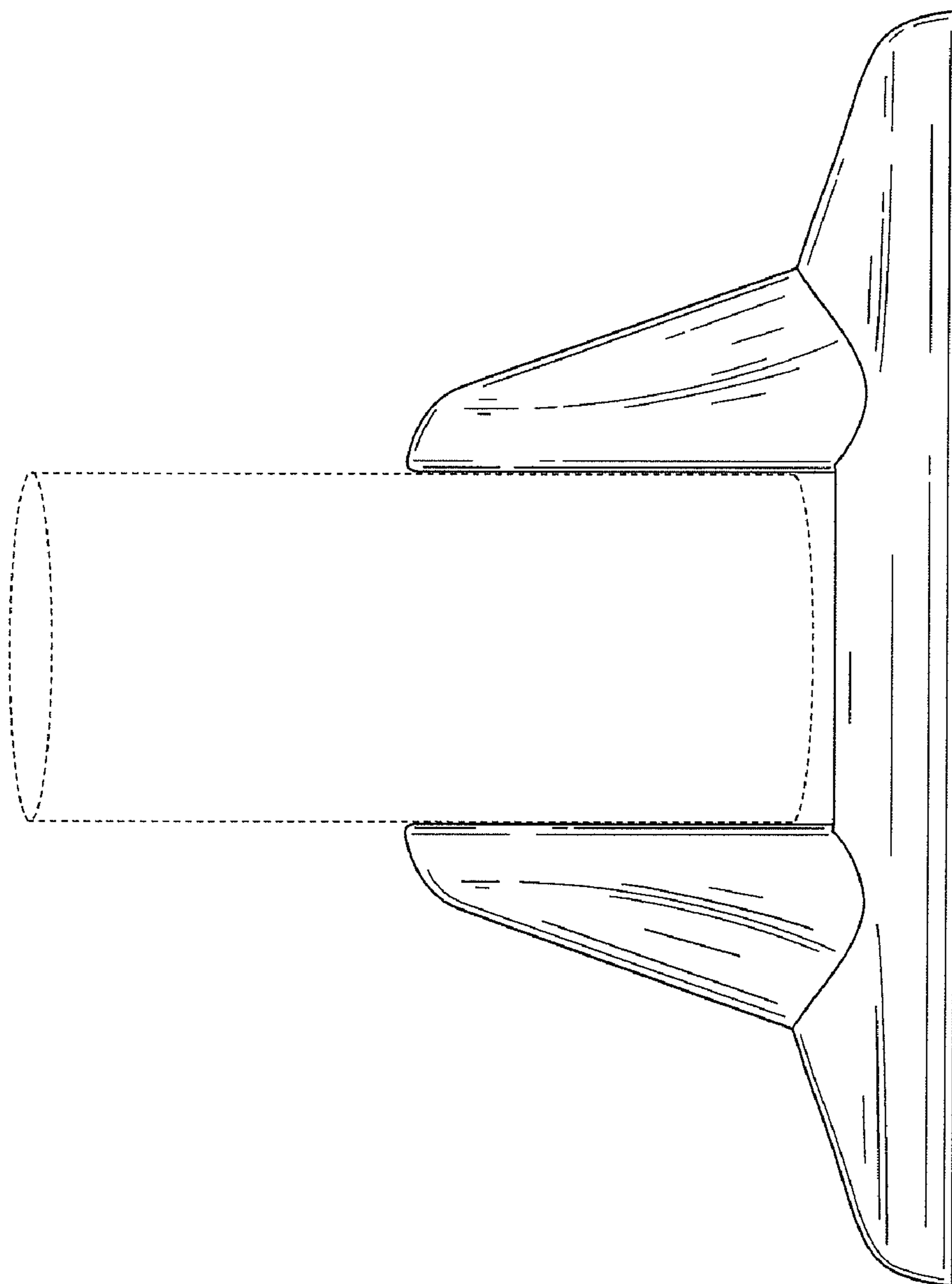


FIG. 3

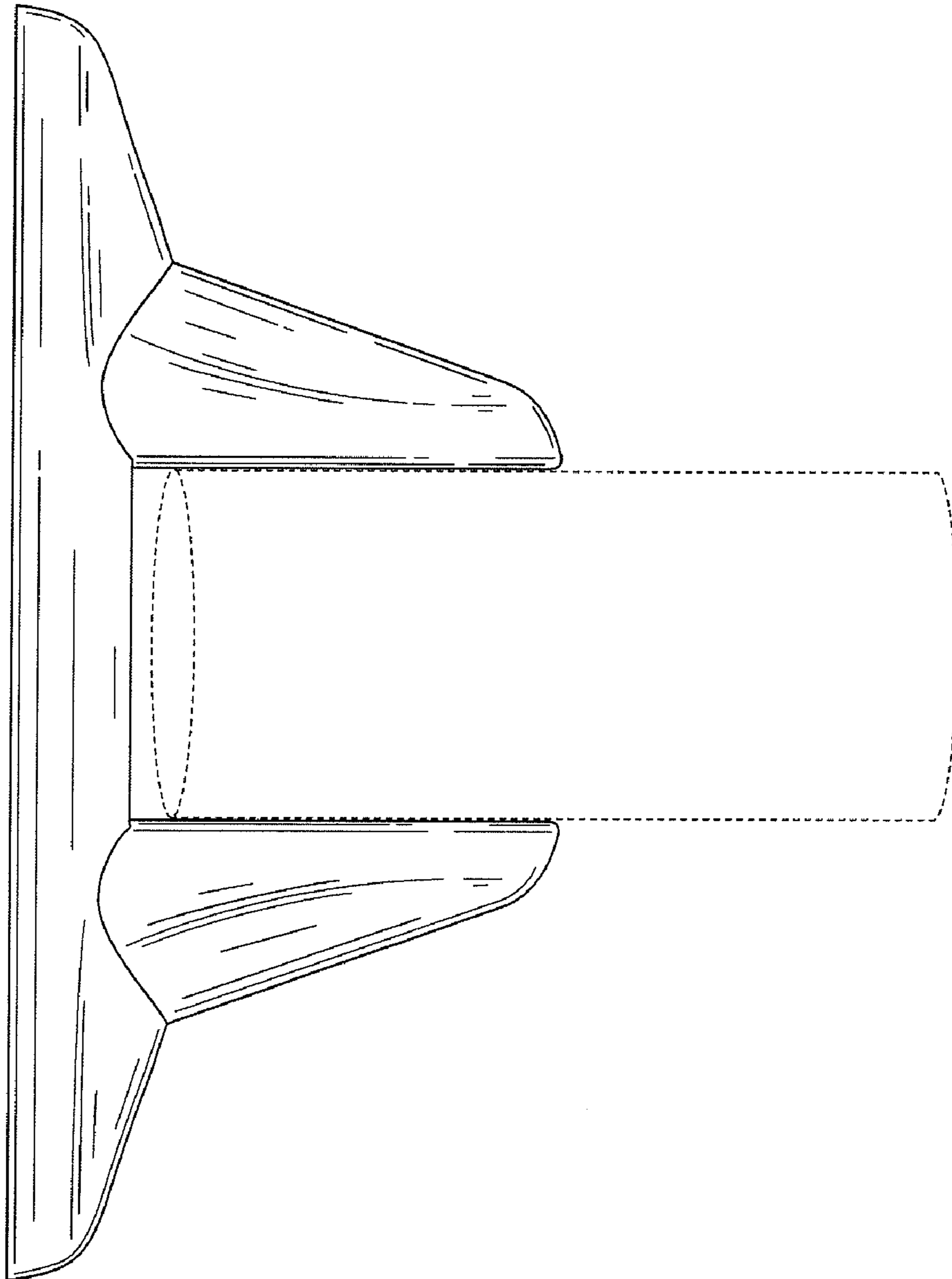


FIG. 4

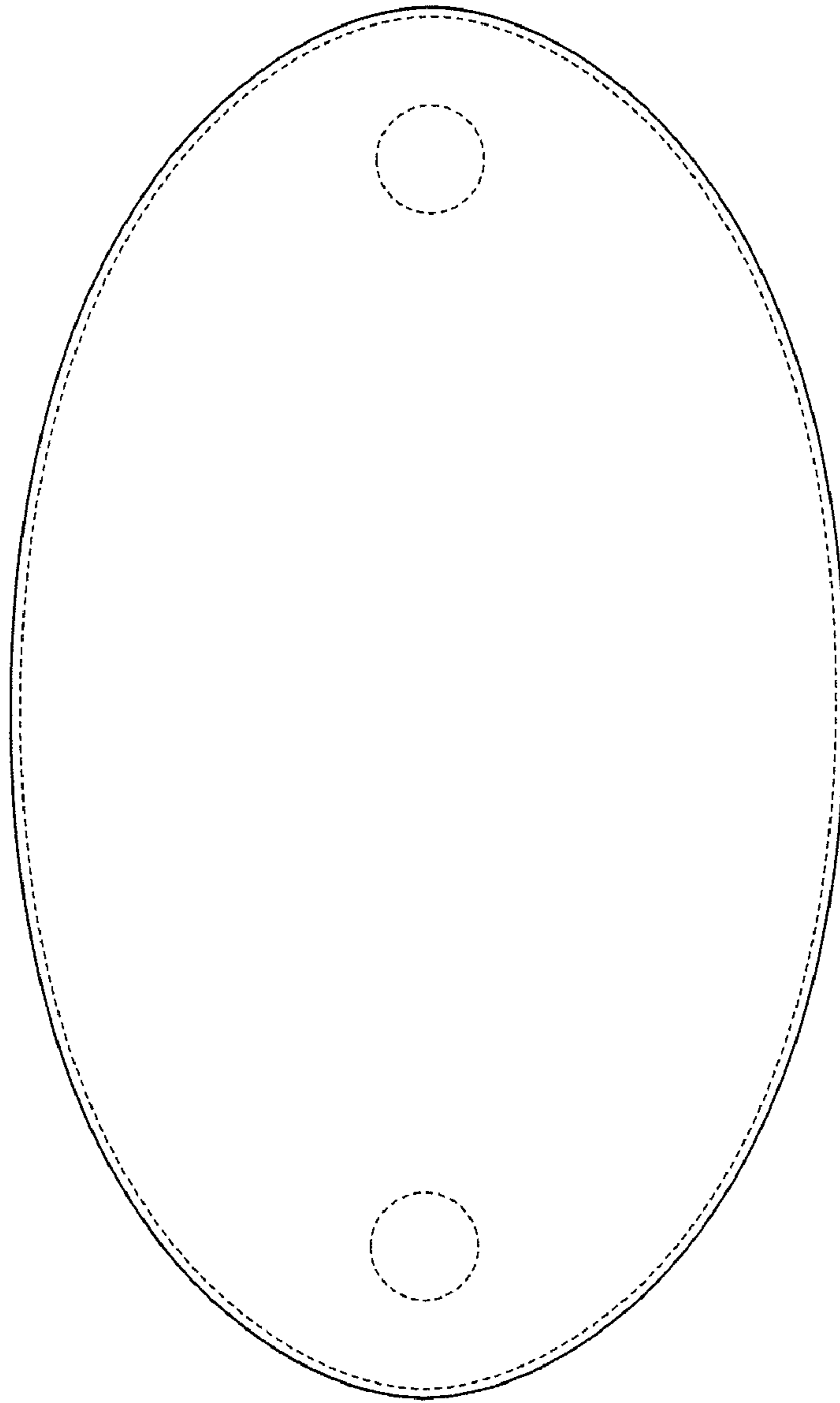


FIG. 5

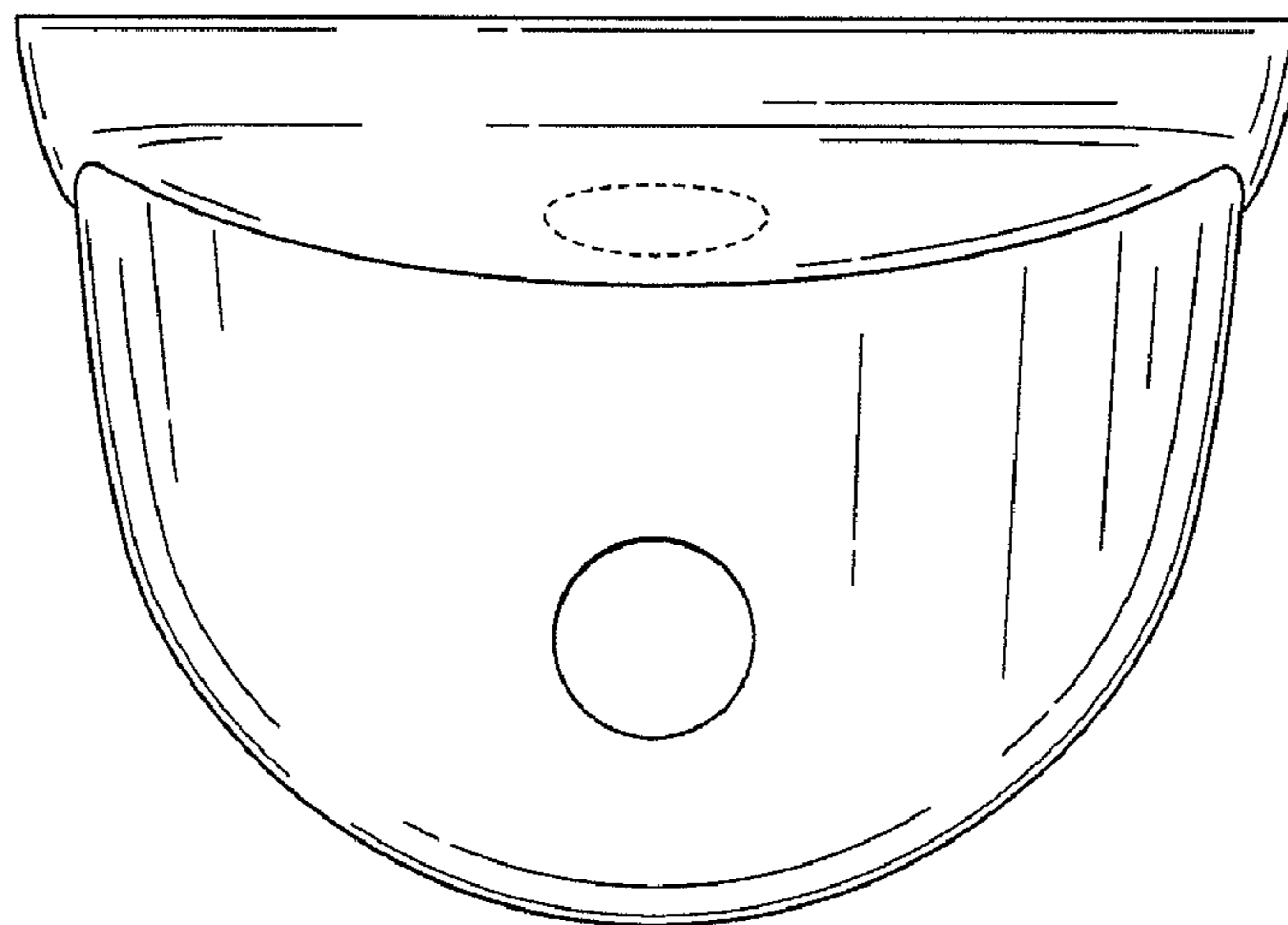


FIG. 6

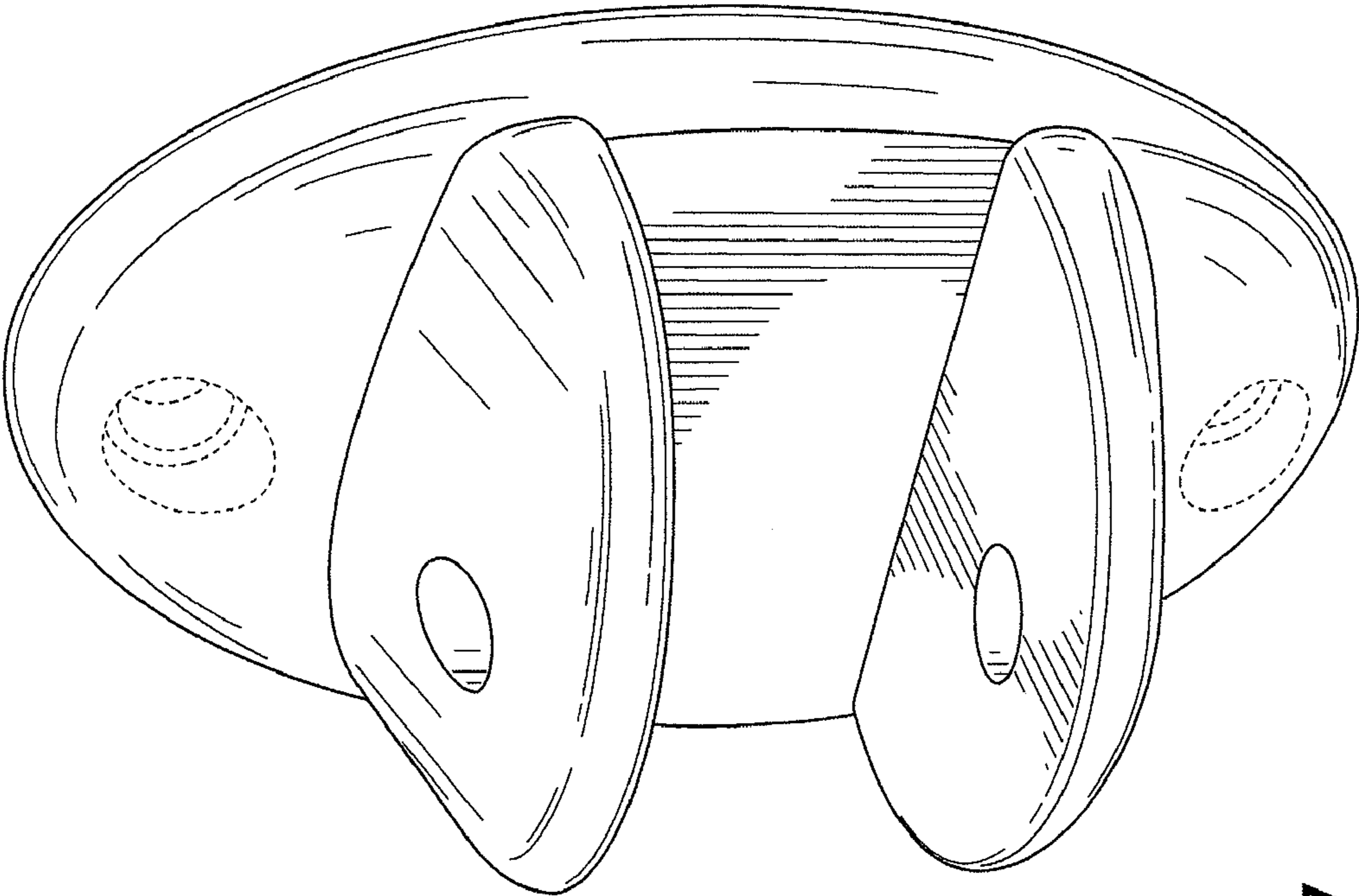


FIG. 7

